



US00D853167S

(12) **United States Design Patent** (10) **Patent No.:** **US D853,167 S**  
**Koury et al.** (45) **Date of Patent:** **\*\* Jul. 9, 2019**

(54) **BEVERAGE MACHINE**  
(71) Applicant: **Keurig Green Mountain, Inc.**,  
Burlington, MA (US)  
(72) Inventors: **Steffen F. Koury**, Everett, MA (US);  
**James T. McGee**, Winthrop, MA (US);  
**Brent Boswell**, Melrose, MA (US);  
**Paul K. Metaxatos**, Swampscott, MA  
(US); **James E. Shepard**, Marblehead,  
MA (US); **Christopher Godfrey**,  
Rowley, MA (US)  
(73) Assignee: **Keurig Green Mountain, Inc.**,  
Burlington, MA (US)

D683,174 S \* 5/2013 Regamey ..... D7/306  
D702,984 S \* 4/2014 Hanneson ..... D7/306  
D719,404 S \* 12/2014 Manly ..... D7/306  
D720,180 S \* 12/2014 Manly ..... D7/306  
D721,247 S \* 1/2015 Manly ..... D7/306  
D721,248 S \* 1/2015 Manly ..... D7/306  
D722,463 S \* 2/2015 Manly ..... D7/306  
D723,247 S \* 3/2015 White ..... D2/642  
D723,317 S \* 3/2015 Manly ..... D7/306  
D735,517 S \* 8/2015 Burrows ..... D7/306  
D736,481 S \* 8/2015 Cornwell ..... D30/122  
D741,101 S \* 10/2015 Luippold ..... D7/306  
D747,047 S \* 1/2016 Cornwell ..... D30/122  
D755,000 S \* 5/2016 Lovati ..... D7/306  
D756,157 S \* 5/2016 Murphy ..... D7/306  
D756,696 S \* 5/2016 Murphy ..... D7/306

(Continued)

(\*\*) Term: **15 Years**

**OTHER PUBLICATIONS**

(21) Appl. No.: **29/605,567**  
(22) Filed: **May 26, 2017**  
(51) **LOC (11) Cl.** ..... **07-01**  
(52) **U.S. Cl.**  
USPC ..... **D7/306; D7/311; D7/309**  
(58) **Field of Classification Search**  
USPC ..... D7/306-311, 305, 300; 99/279, 284,  
99/290, 280, 299, 307, 297, 295  
CPC .. A47J 31/44; A47J 31/00; A47J 31/46; A47J  
31/10; A47J 31/369; A47J 31/06  
See application file for complete search history.

U.S. Appl. No. 29/605,566, filed May 26, 2017, Koury et al.

*Primary Examiner* — Marianne N Pandozzi  
(74) *Attorney, Agent, or Firm* — Wolf, Greenfield &  
Sacks, P.C.

(56) **References Cited**

(57) **CLAIM**

The ornamental design for a beverage machine, as shown  
and described.

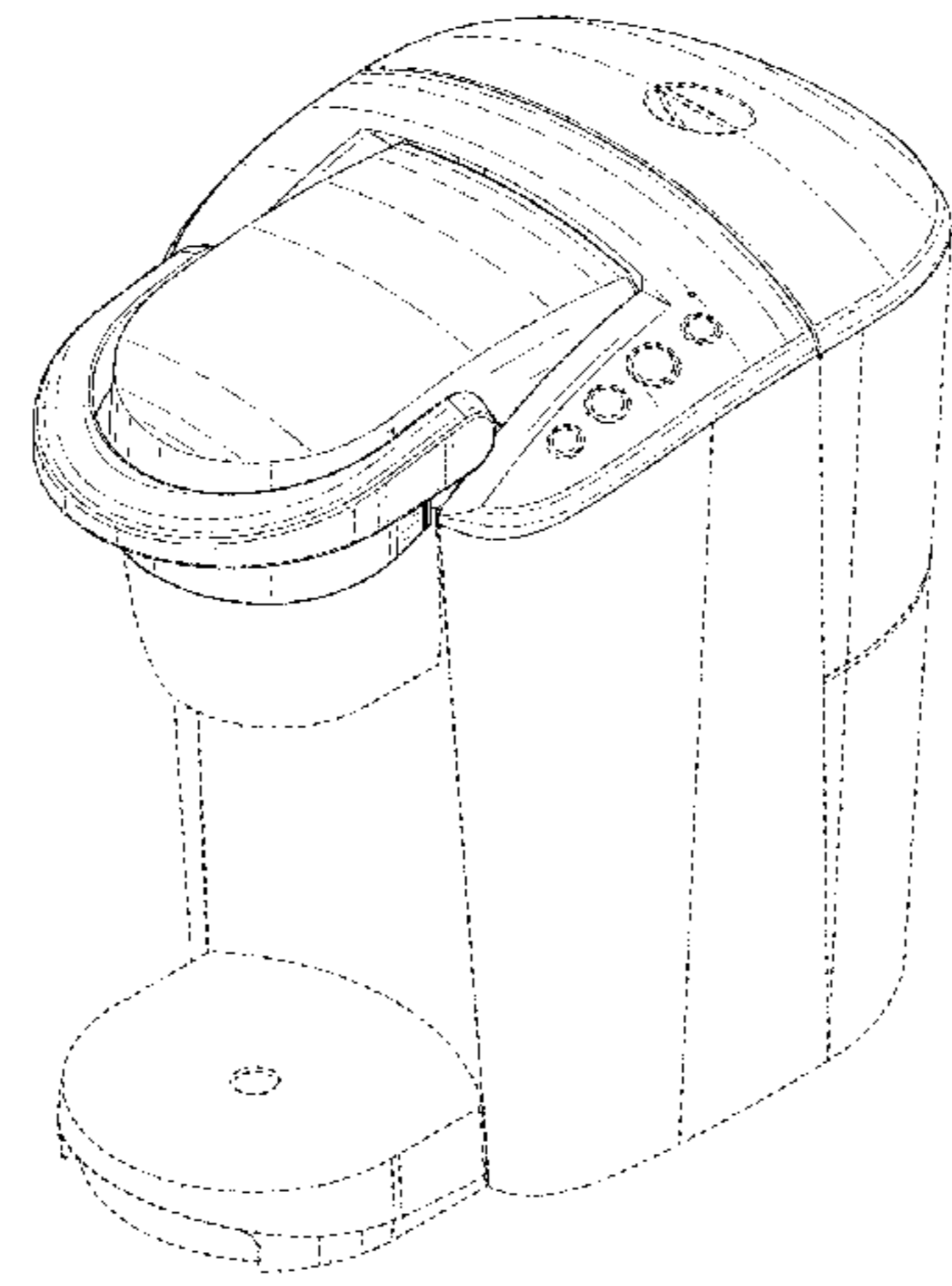
**U.S. PATENT DOCUMENTS**

**DESCRIPTION**

D513,572 S 1/2006 Schaffeld et al.  
D544,299 S \* 6/2007 Schaffeld ..... D7/397  
D637,859 S \* 5/2011 Orkney ..... D7/306  
D663,158 S \* 7/2012 Jacquet ..... D7/393  
8,210,095 B2 \* 7/2012 Brezovnik ..... A47J 31/369  
99/279  
D667,674 S \* 9/2012 Wilder ..... D7/306  
D674,232 S \* 1/2013 Lavy ..... D7/309  
D674,233 S \* 1/2013 Lavy ..... D7/309

FIG. 1 is a top, front, right side perspective view of the  
beverage machine according to our new design;  
FIG. 2 is a front elevation view thereof;  
FIG. 3 is a rear elevation view thereof;  
FIG. 4 is a left side elevation view thereof;  
FIG. 5 is a right side elevation view thereof;  
FIG. 6 is a top plan view thereof; and,  
FIG. 7 is a bottom plan view thereof.  
The broken lines illustrate portions of the beverage machine  
that form no part of the claimed design.

**1 Claim, 7 Drawing Sheets**



(56)

**References Cited**

U.S. PATENT DOCUMENTS

D756,697	S *	5/2016	Burrows	.....	D7/309
D760,008	S *	6/2016	Moon	.....	D7/306
9,510,706	B2	12/2016	Tinkler et al.		
D779,257	S *	2/2017	Hale	.....	D7/306
D786,602	S *	5/2017	Palermo	.....	D7/306
D796,885	S *	9/2017	Wang	.....	D7/306
D803,611	S *	11/2017	Hanneson	.....	D7/306
2007/0056994	A1 *	3/2007	Woodnorth	.....	A47J 31/46 222/221
2008/0134902	A1 *	6/2008	Zimmerman	.....	A47J 31/32 99/302 R
2010/0024658	A1 *	2/2010	Jacobs	.....	A47J 31/46 99/302 R
2014/0299000	A1 *	10/2014	Hanneson	.....	A47J 31/46 99/300

\* cited by examiner

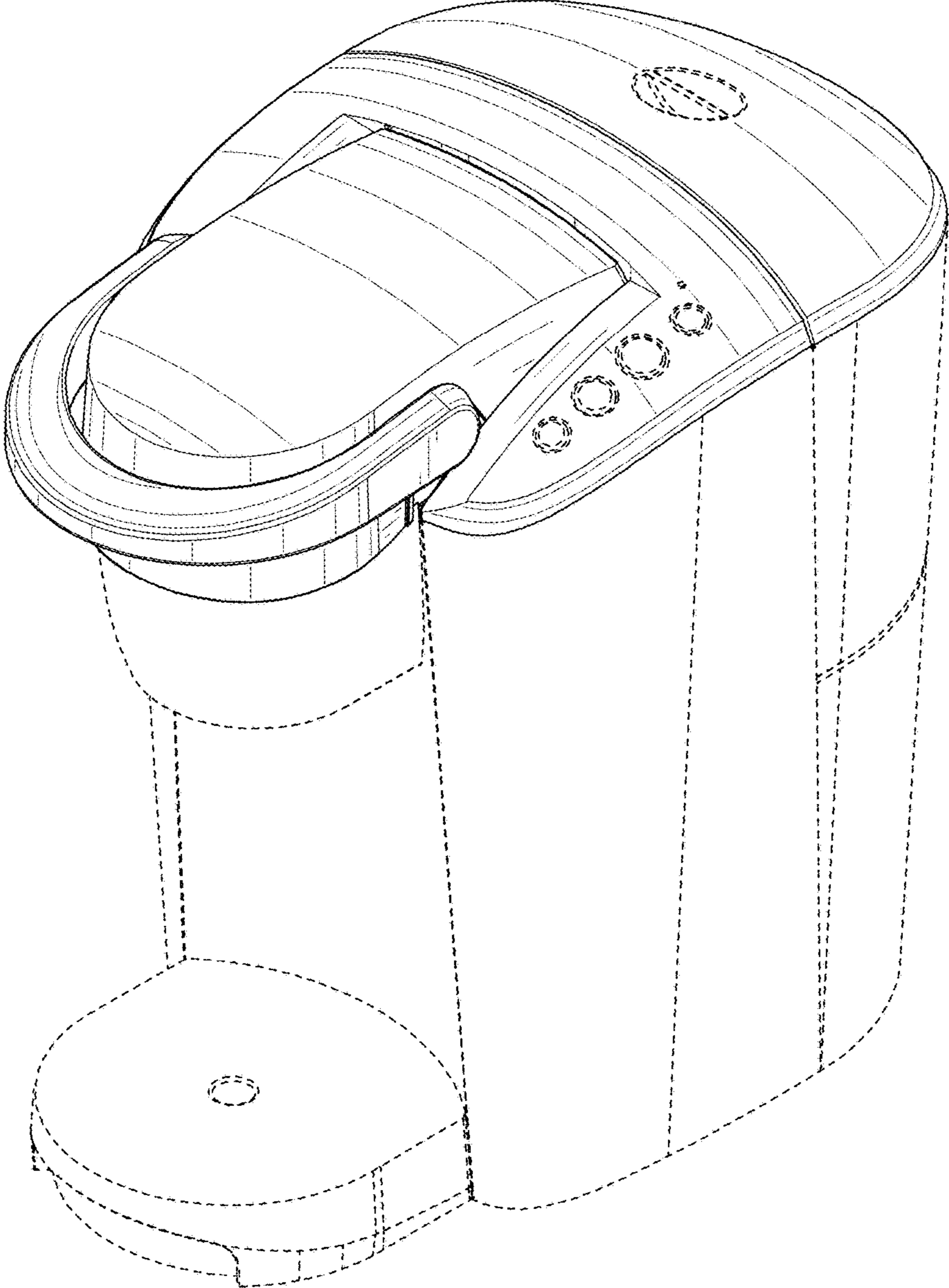


FIG. 1

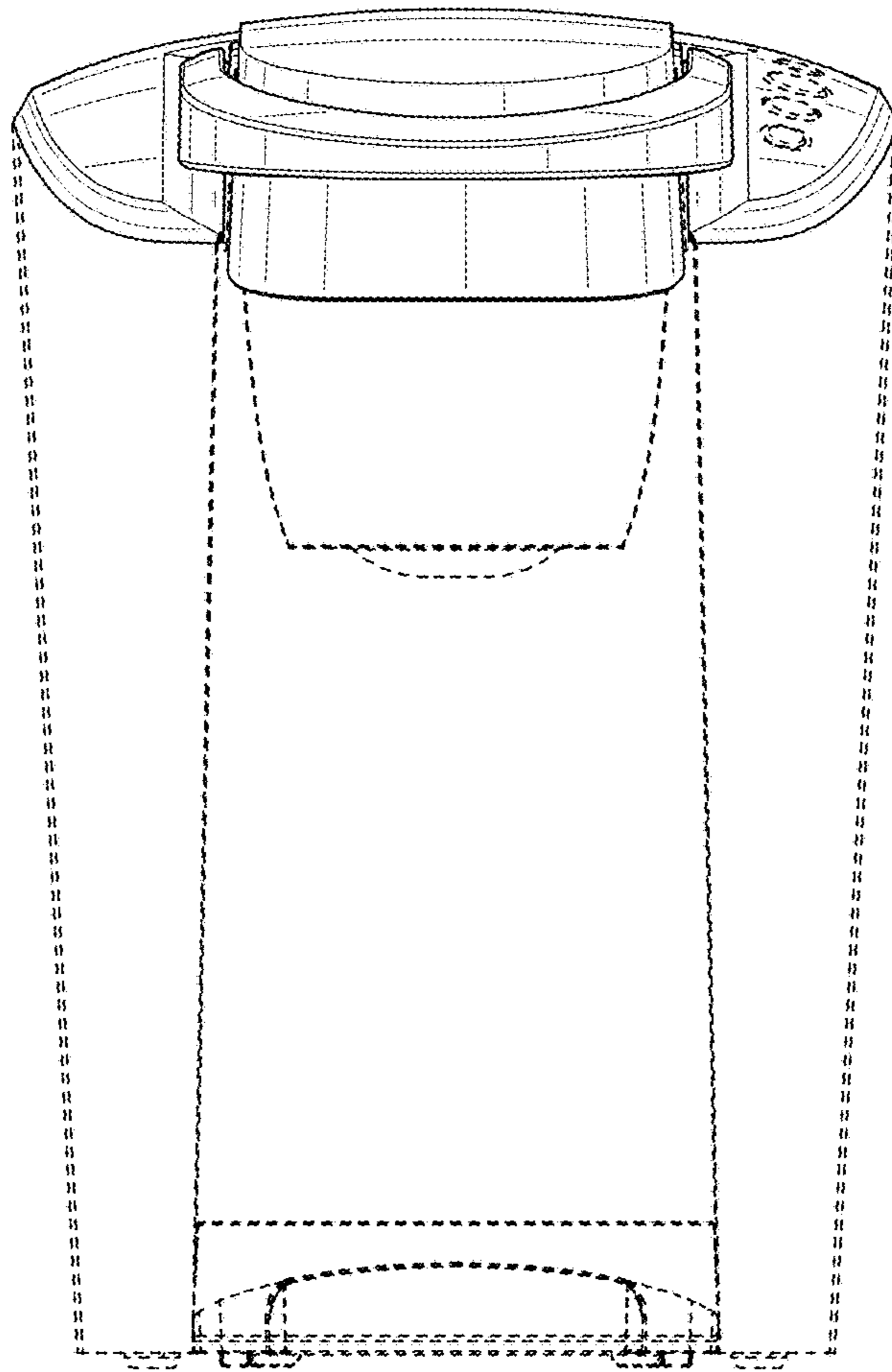


FIG. 2

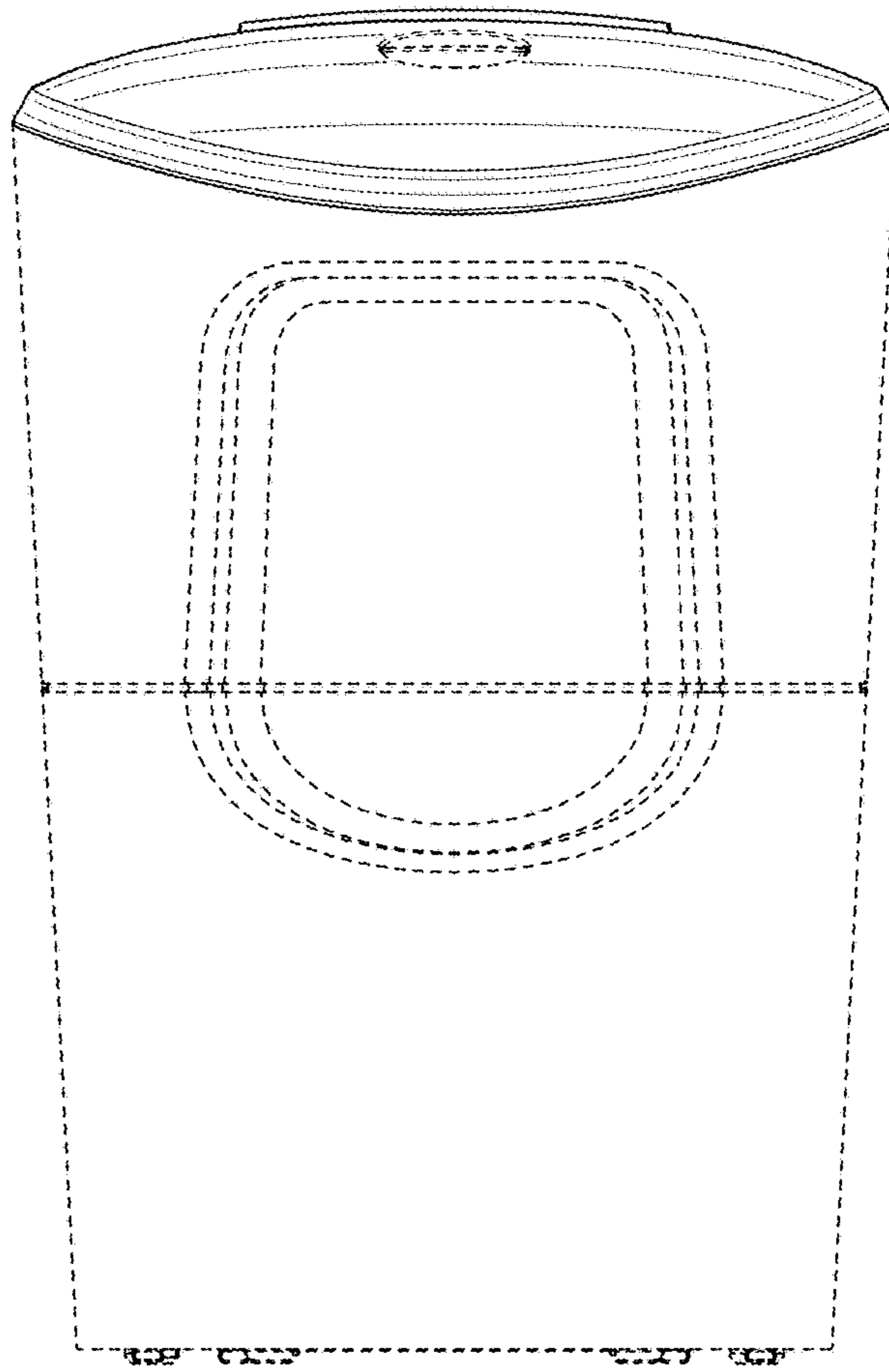


FIG. 3

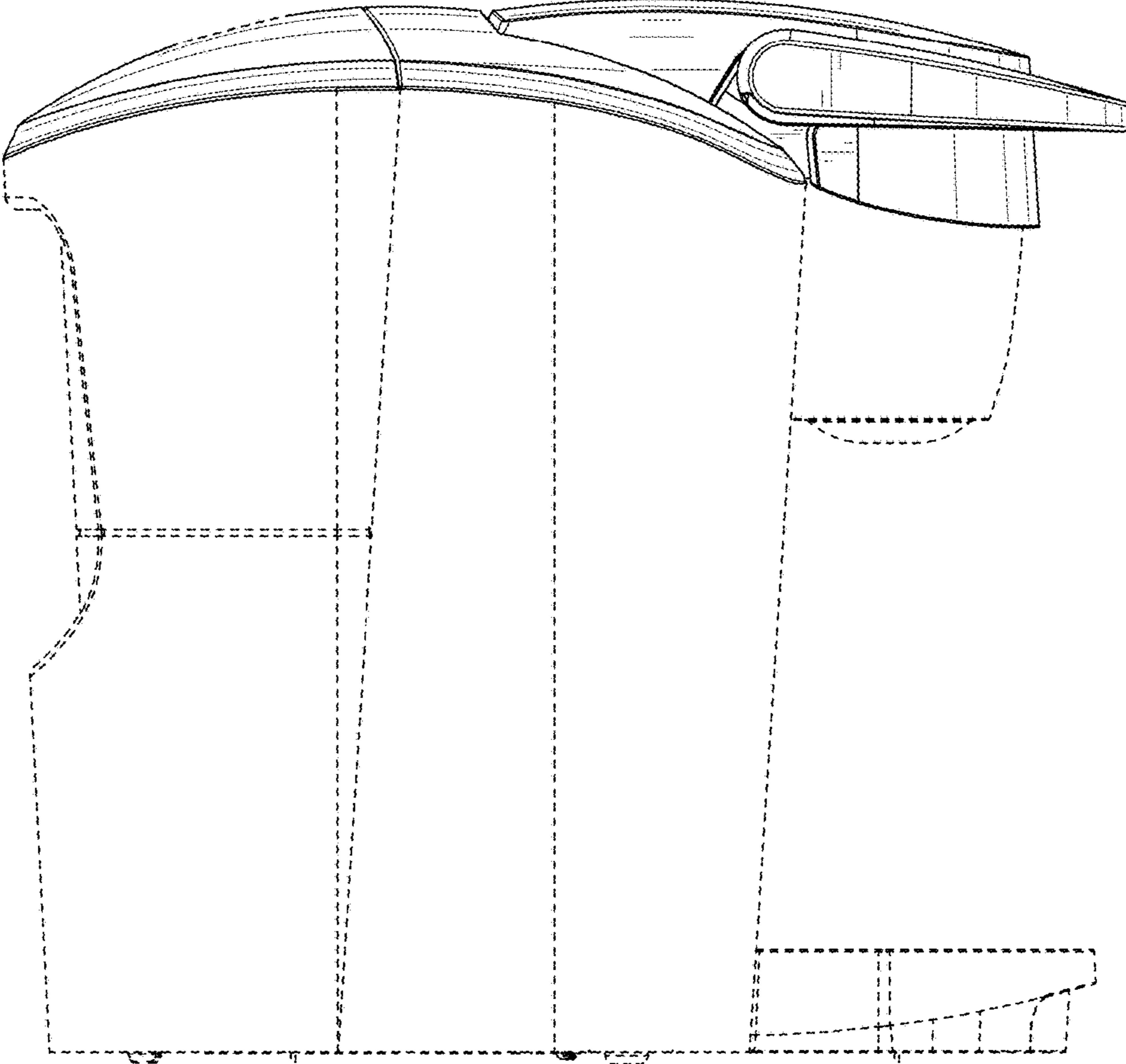


FIG. 4

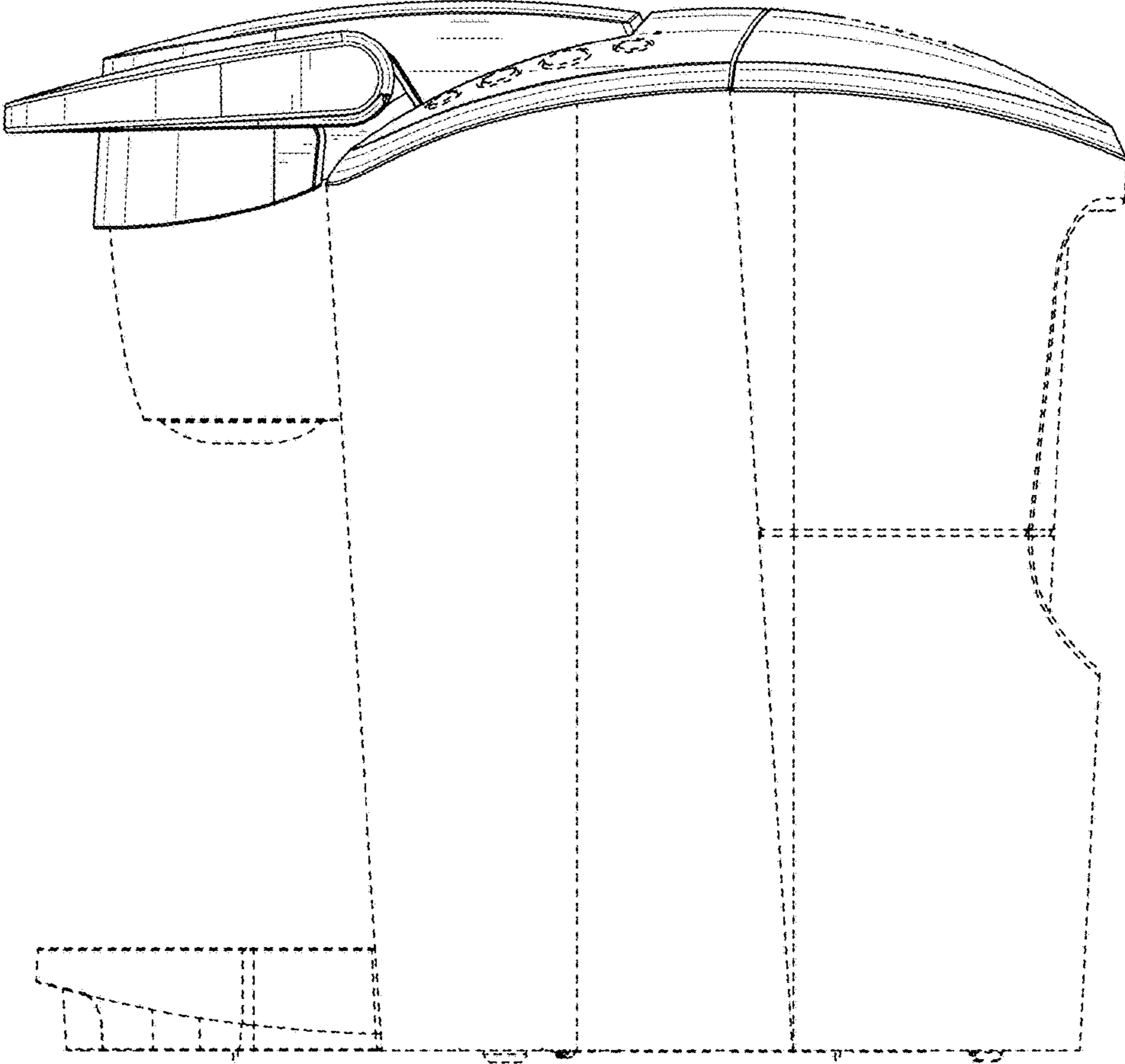


FIG. 5

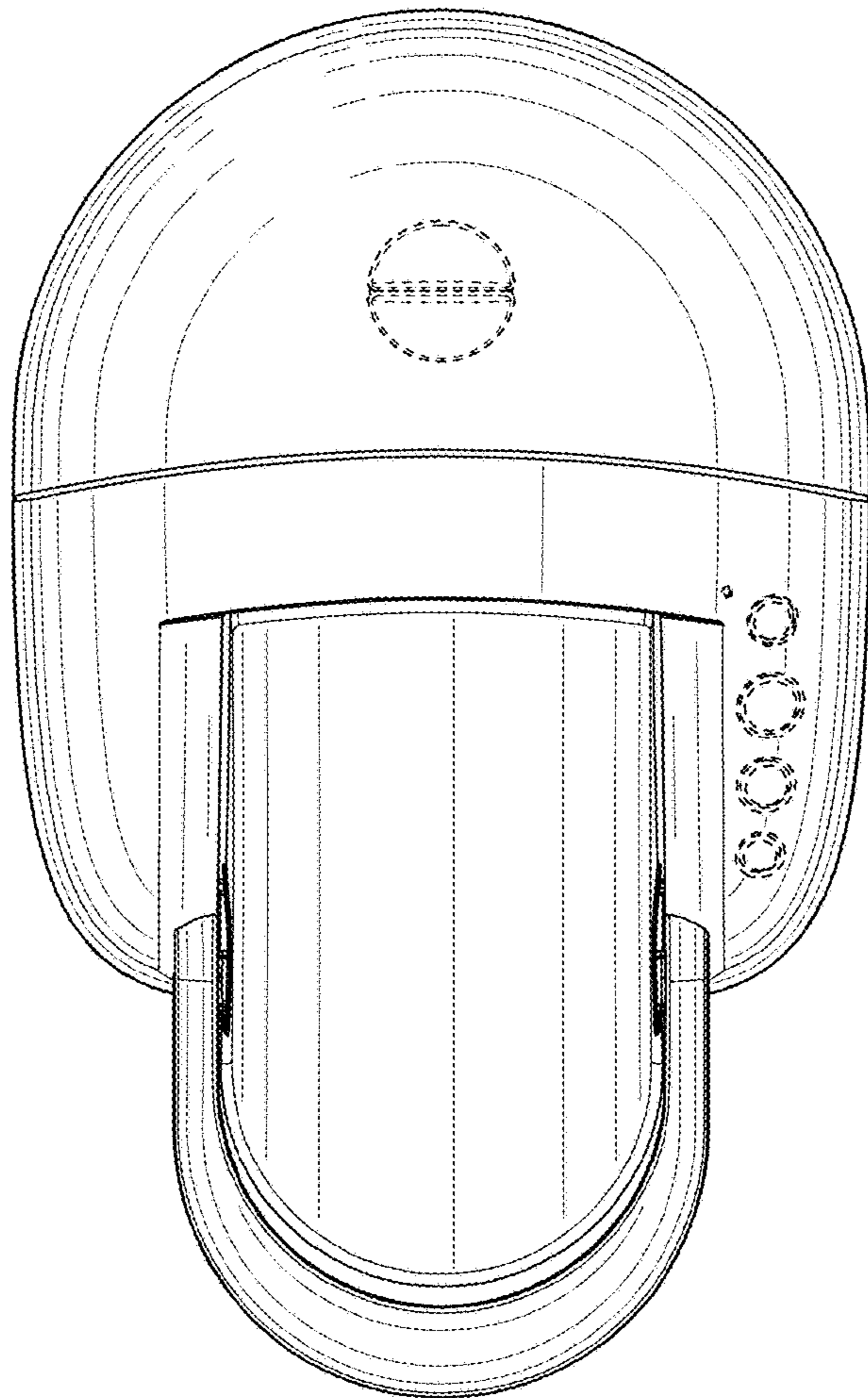


FIG. 6



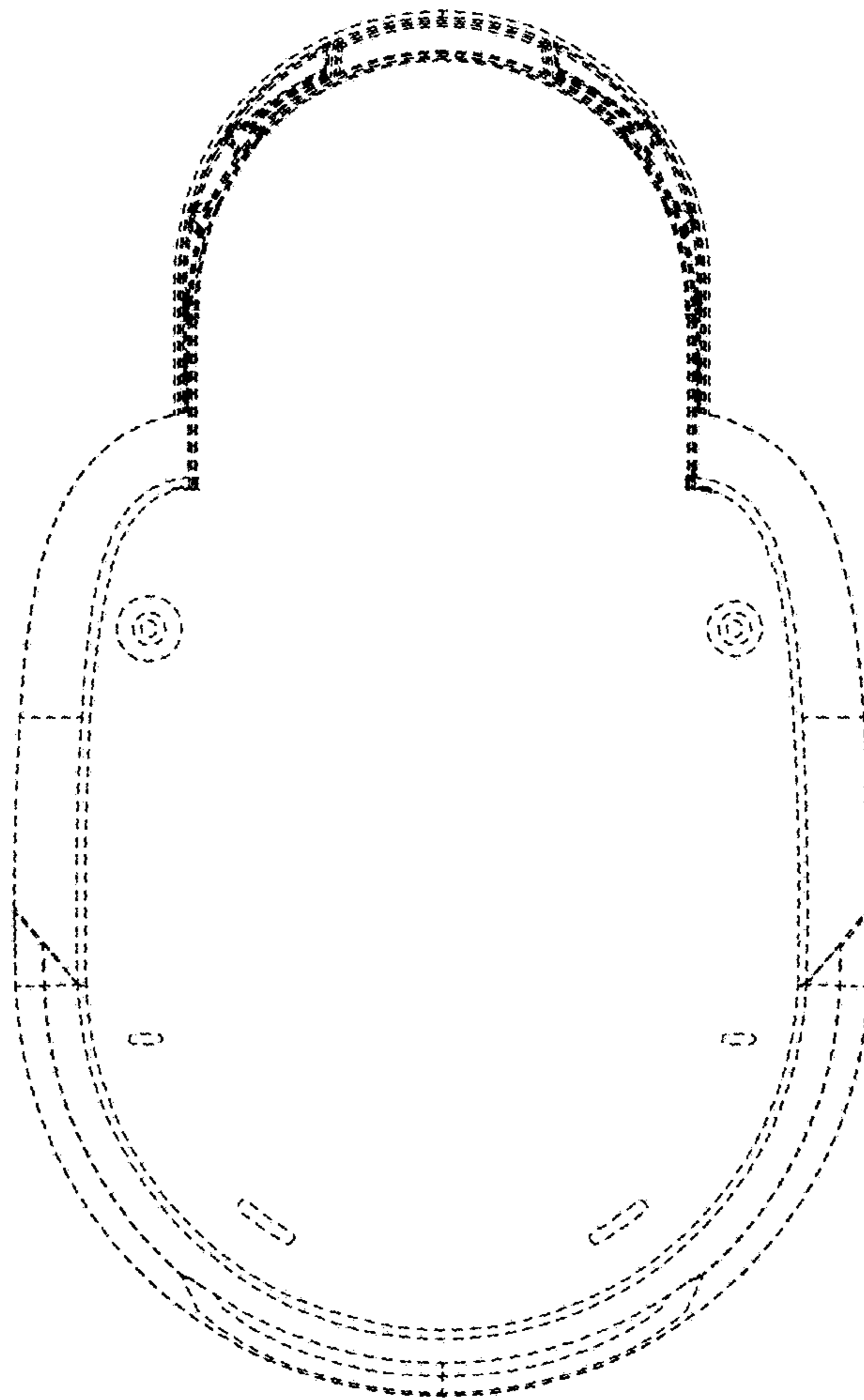


FIG. 7