



US00D853164S

(12) **United States Design Patent**
Pepper

(10) **Patent No.:** **US D853,164 S**

(45) **Date of Patent:** **** Jul. 9, 2019**

(54) **FOLDABLE REUSABLE DRINKING STRAW**

(71) Applicant: **Miles Pepper**, Los Angeles, CA (US)

(72) Inventor: **Miles Pepper**, Los Angeles, CA (US)

(73) Assignee: **The Final Co. LLC**, Santa Fe, NM (US)

(**) Term: **15 Years**

(21) Appl. No.: **29/648,754**

(22) Filed: **May 23, 2018**

(51) **LOC (11) Cl.** **07-06**

(52) **U.S. Cl.**
USPC **D7/300.2**

(58) **Field of Classification Search**
USPC D7/300, 300.2, 301, 635; D23/207;
D27/101

(Continued)

(56) **References Cited**

U.S. PATENT DOCUMENTS

942,306 A 12/1909 Clark
2,815,981 A 12/1957 Nonnamaker

(Continued)

FOREIGN PATENT DOCUMENTS

JP 2014-155524 A 8/2014
KR 20090098400 9/2009

(Continued)

OTHER PUBLICATIONS

Amazon.com, Hydream straw1 Collapsible Reusable Stainless Steel, Publication date Aug. 20, 2018, [site visited Jan. 29, 2019], Available on the Internet URL https://www.amazon.com/Hydream-Collapsible-Reusable-Stainless-Food-Grade/dp/B07GNZKKDK/ref=cm_cr_ar_p_d_product_top?ie=UTF8.*

(Continued)

Primary Examiner — Karen S Acker

Assistant Examiner — Steven B Reinholdt, Jr.

(74) *Attorney, Agent, or Firm* — Martin & Ferraro, LLP

(57) **CLAIM**

The ornamental design for a foldable reusable drinking straw, as shown and described.

DESCRIPTION

FIG. 1 is a top, front, right side perspective view of a first embodiment of a foldable reusable drinking straw, showing my new design;

FIG. 2 is a right side elevational view of the straw of FIG. 1, the left side elevational view being a mirror image thereof;

FIG. 3 is a cross sectional view along lines 3-3 of FIG. 4; FIG. 4 is a front end elevational view of the straw of FIG. 1;

FIG. 5 is a rear end elevational view of the straw of FIG. 1;

FIG. 6 is a top, front, right side perspective view of the straw of FIG. 1 partially folded with a storage case in broken lines;

FIG. 7 is a top, front, right side perspective view of a second embodiment of a foldable reusable drinking straw, showing my new design;

FIG. 8 is a right side elevational view of the straw of FIG. 7, the left side elevational view being a mirror image thereof;

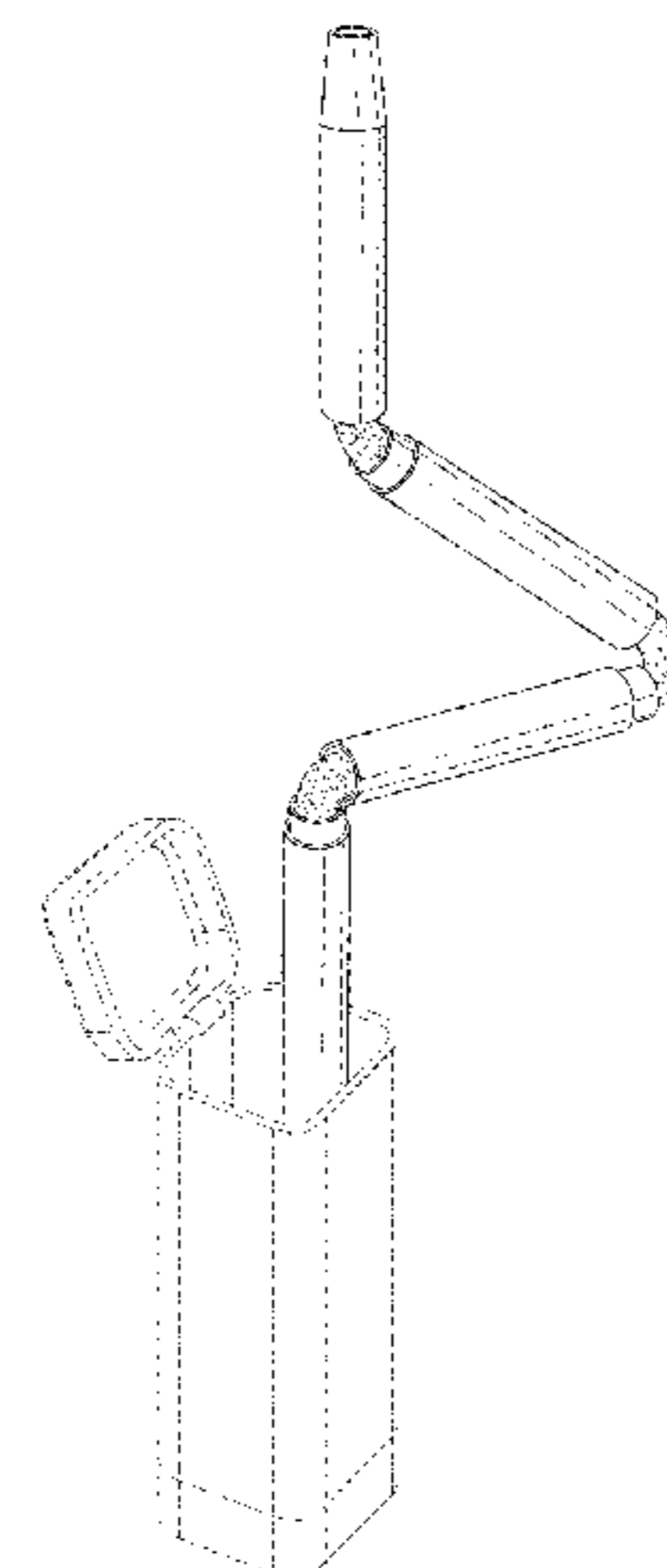
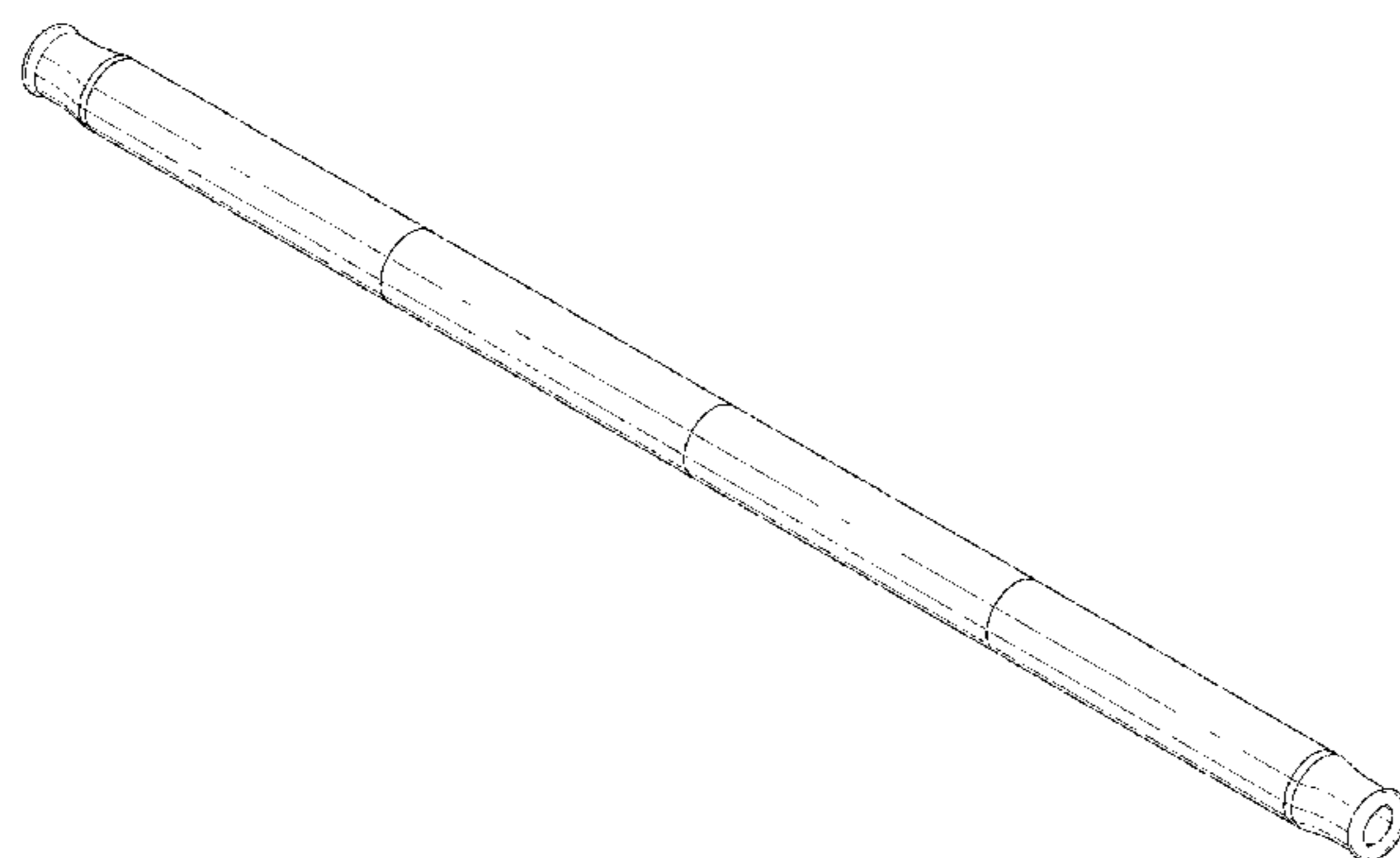
FIG. 9 is a cross sectional view along lines 9-9 of FIG. 10; FIG. 10 is a front end elevational view of the straw of FIG. 7;

FIG. 11 is a rear end elevational view of the straw of FIG. 7; and,

FIG. 12 is a top, front, right side perspective view of the straw of FIG. 7 partially folded with a storage case in broken lines.

The broken lines in FIGS. 6 and 12 depict environmental subject matter that forms no part of the claimed design.

1 Claim, 6 Drawing Sheets



(58) **Field of Classification Search**
 CPC A47G 21/18; A61J 7/0038; B65D 2517/0049
 See application file for complete search history.

(56) **References Cited**

U.S. PATENT DOCUMENTS

3,025,004 A 3/1962 Levi
 3,776,458 A 12/1973 Chunga, Sr.
 4,109,817 A 8/1978 Payne
 4,340,175 A 7/1982 Danek
 4,850,533 A * 7/1989 Hoshi A47G 21/189
 239/33
 4,930,652 A 6/1990 Murphy
 5,172,827 A 12/1992 Chang
 5,482,202 A 1/1996 Wen
 D371,269 S * 7/1996 Shattuck D7/300.2
 5,727,734 A 3/1998 Su
 D408,886 S * 4/1999 Matyushin D23/207
 6,676,032 B2 * 1/2004 Banach A47G 21/18
 239/24
 D487,375 S * 3/2004 Bengtsson D7/300.2
 D575,570 S * 8/2008 Antonelli D7/300.2
 D602,726 S * 10/2009 Baron D7/300.2
 7,823,802 B1 * 11/2010 Roche B65D 75/5872
 239/16
 D674,649 S * 1/2013 Ludwig D7/300.2
 8,459,484 B2 6/2013 Ravelo
 8,579,148 B2 11/2013 Slansky
 D719,388 S * 12/2014 Ecseri D7/300.2
 D726,477 S * 4/2015 Buck D7/300.2
 D749,884 S * 2/2016 Martins D24/224
 D757,476 S * 5/2016 O'Neill D7/300.2
 D762,408 S * 8/2016 Palazzi D7/300.2
 D772,632 S * 11/2016 Buck D7/300.2
 D798,095 S * 9/2017 Palazzi D7/300.2
 D815,479 S * 4/2018 Scardino D7/300.2
 D831,397 S * 10/2018 Diorio D7/300.2
 10,159,369 B2 * 12/2018 MacDonald A47G 21/187
 2002/0030115 A1 3/2002 Float et al.

2002/0088870 A1 * 7/2002 Banach A47G 21/18
 239/33
 2006/0060556 A1 3/2006 Lee
 2008/0169356 A1 7/2008 Trejo
 2009/0283608 A1 * 11/2009 Crawley A47G 21/18
 239/33
 2011/0057050 A1 3/2011 Shakur-Jenkins
 2012/0138622 A1 6/2012 Slansky
 2013/0270357 A1 * 10/2013 Anderson A47G 21/183
 239/33
 2014/0231535 A1 * 8/2014 Alotaibi A47G 21/18
 239/33
 2014/0339325 A1 * 11/2014 Williams A47G 21/186
 239/33
 2014/0339819 A1 * 11/2014 Baker F16L 27/12
 285/298
 2015/0190004 A1 7/2015 Chang
 2015/0313390 A1 11/2015 Russo
 2016/0051071 A1 * 2/2016 Buck A47G 21/187
 239/33
 2018/0235390 A1 * 8/2018 Lehmann A47G 21/18

FOREIGN PATENT DOCUMENTS

KR 20090108259 A 10/2009
 KR 20100128648 12/2010

OTHER PUBLICATIONS

Walmart.com, Collapsible Reusable Straws with Case Holder, Publication date unknown, [site visited Jan. 29, 2019], Available on the Internet URL https://www.walmart.com/ip/Collapsible-Reusable-Straws-Case-Holder-Keychain-Portable-Collapsible-Foldable-Stainless-Steel-Smoothie-Drinking-Metal-Tumbler-Straws-Cleaning-Brush.*
 U.S. Appl. No. 16/186,560, filed Nov. 2018, Pepper, Miles.
 U.S. Appl. No. 29/654,245, filed Jun. 2018, Pepper, Miles.
 U.S. Appl. No. 29/661,212, filed Aug. 2018, Pepper, Miles.
 U.S. Appl. No. 29/664,367, filed Sep. 2018, Pepper, Miles.
 U.S. Appl. No. 29/665,794, filed Oct. 2018, Pepper, Miles.

* cited by examiner

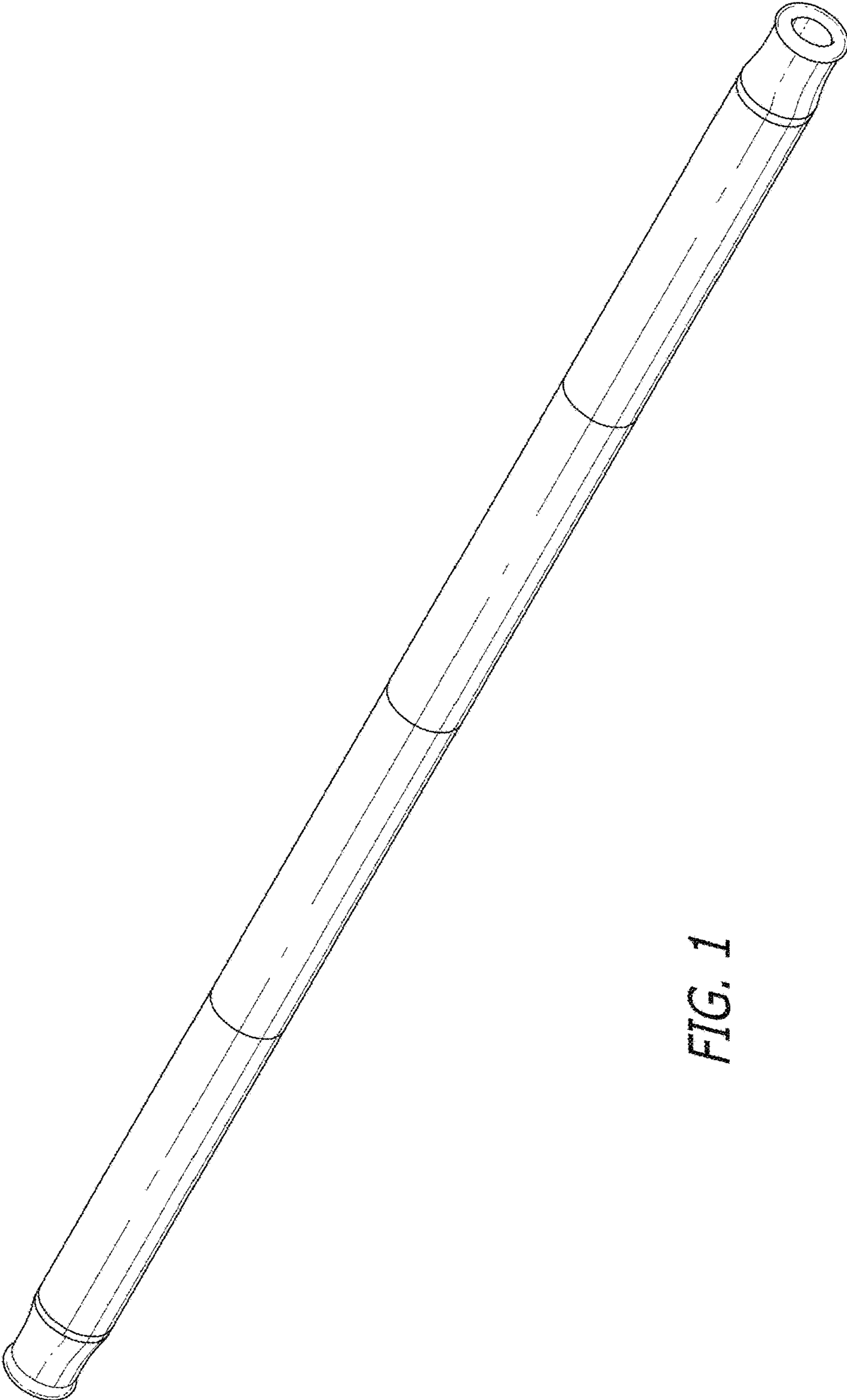


FIG. 1

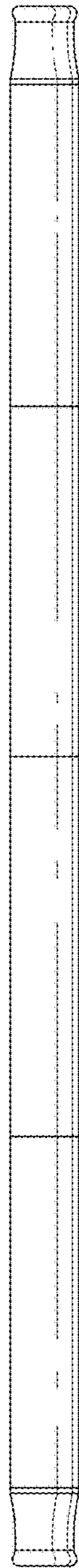


FIG. 2

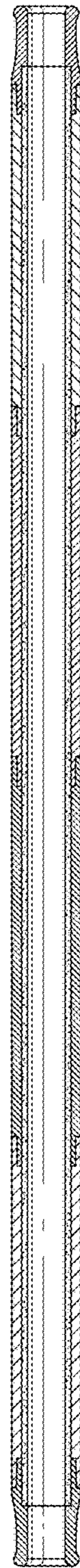


FIG. 3

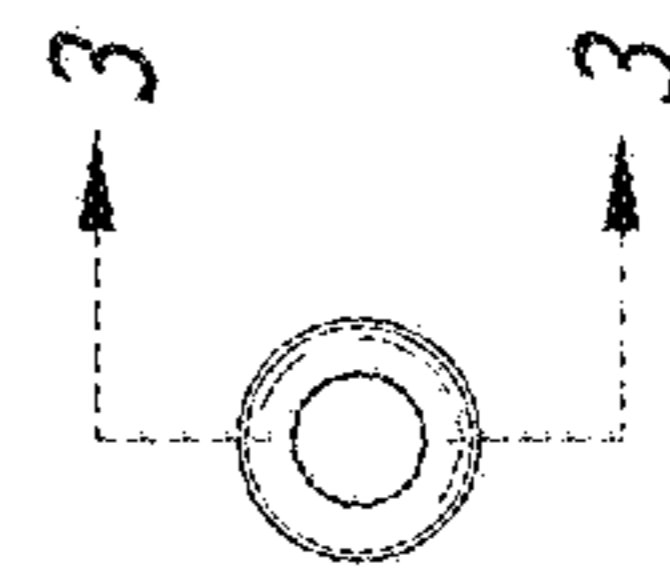


FIG. 4

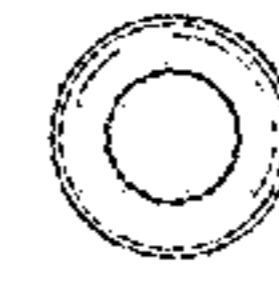


FIG. 5

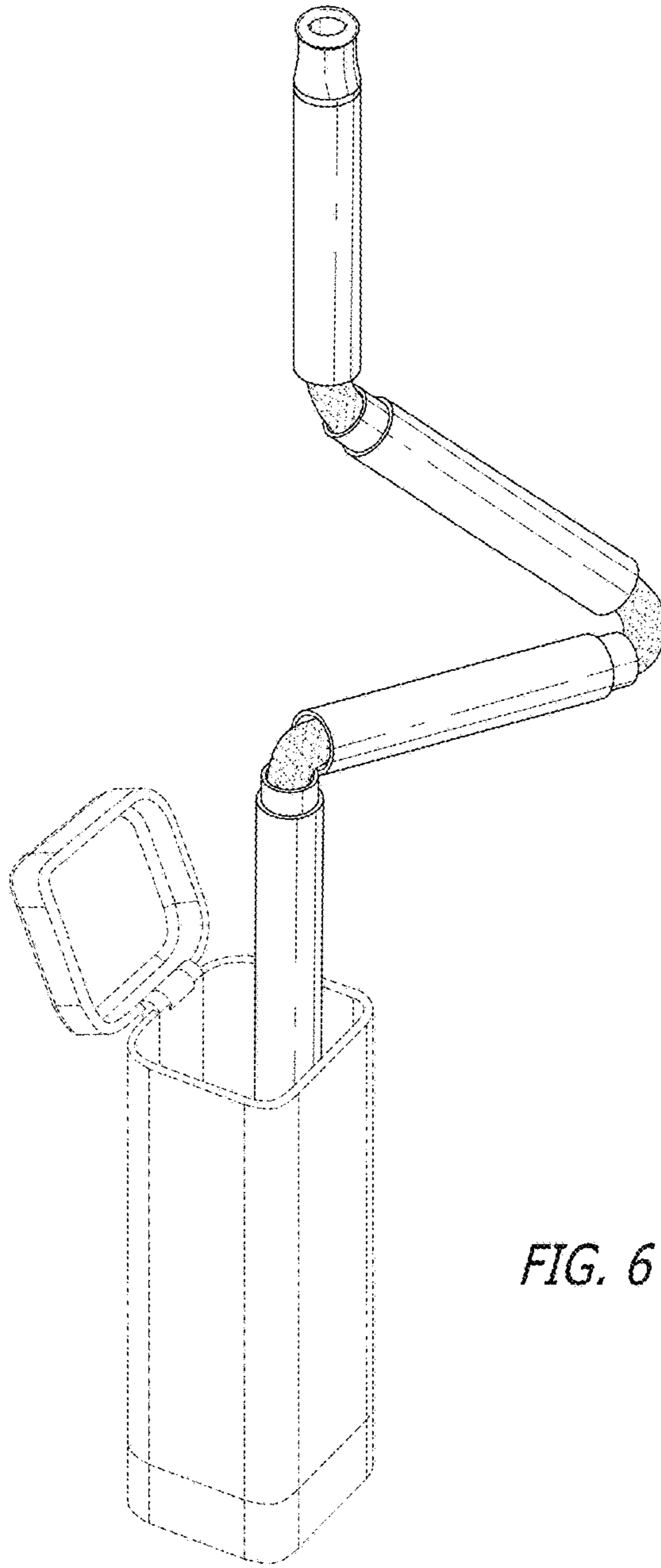


FIG. 6

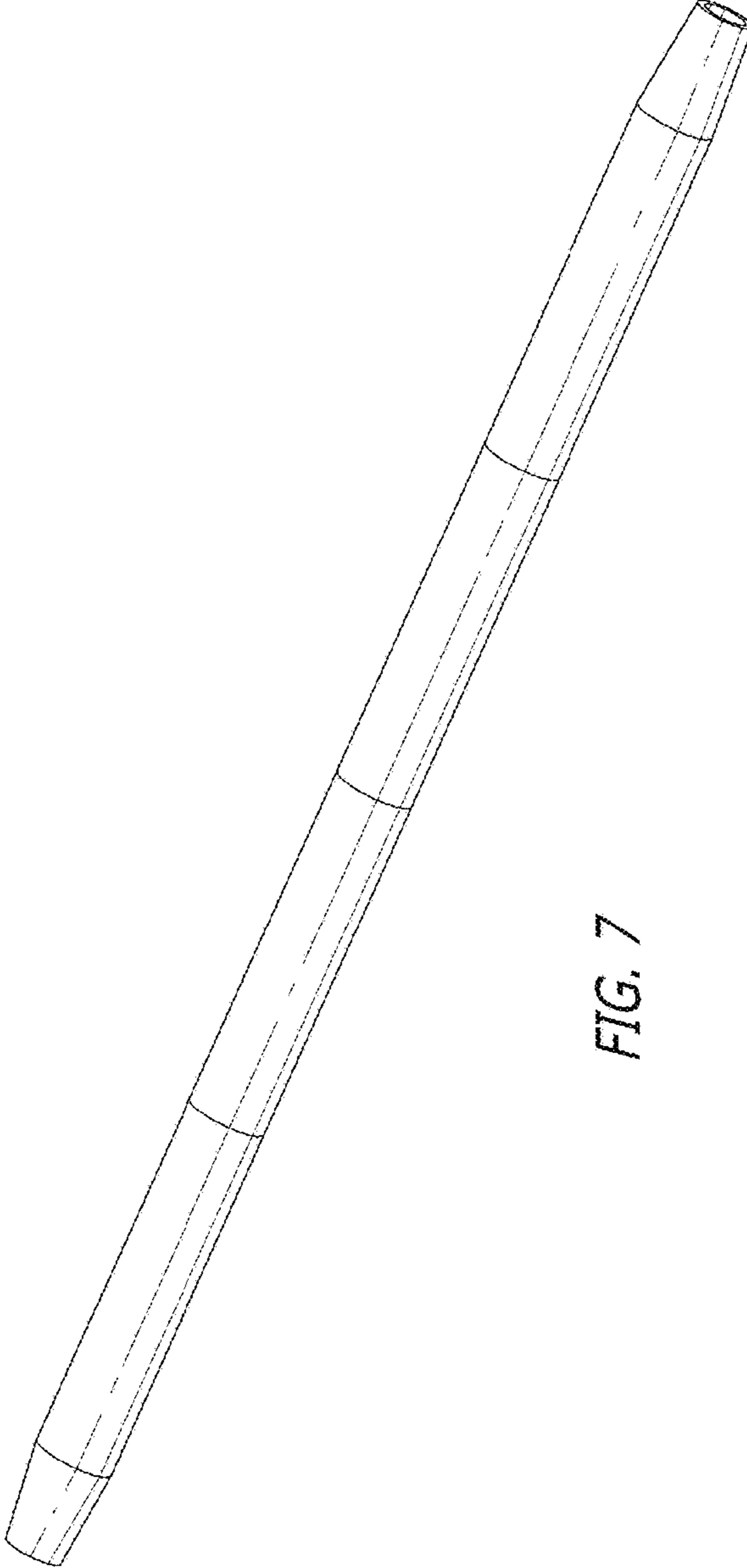


FIG. 7

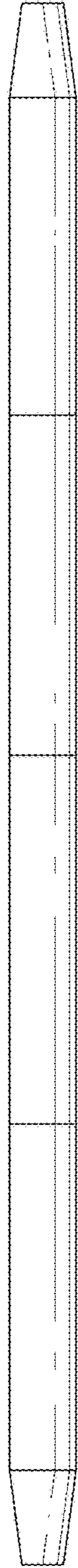


FIG. 8



FIG. 9

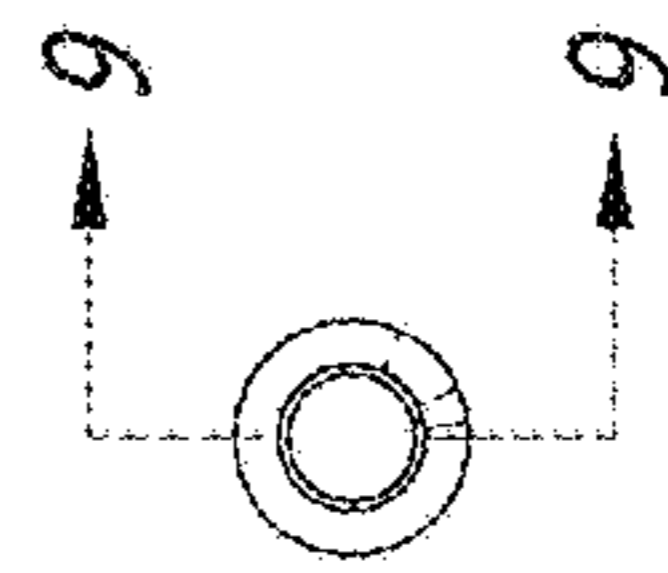


FIG. 10

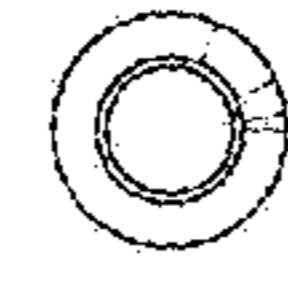


FIG. 11

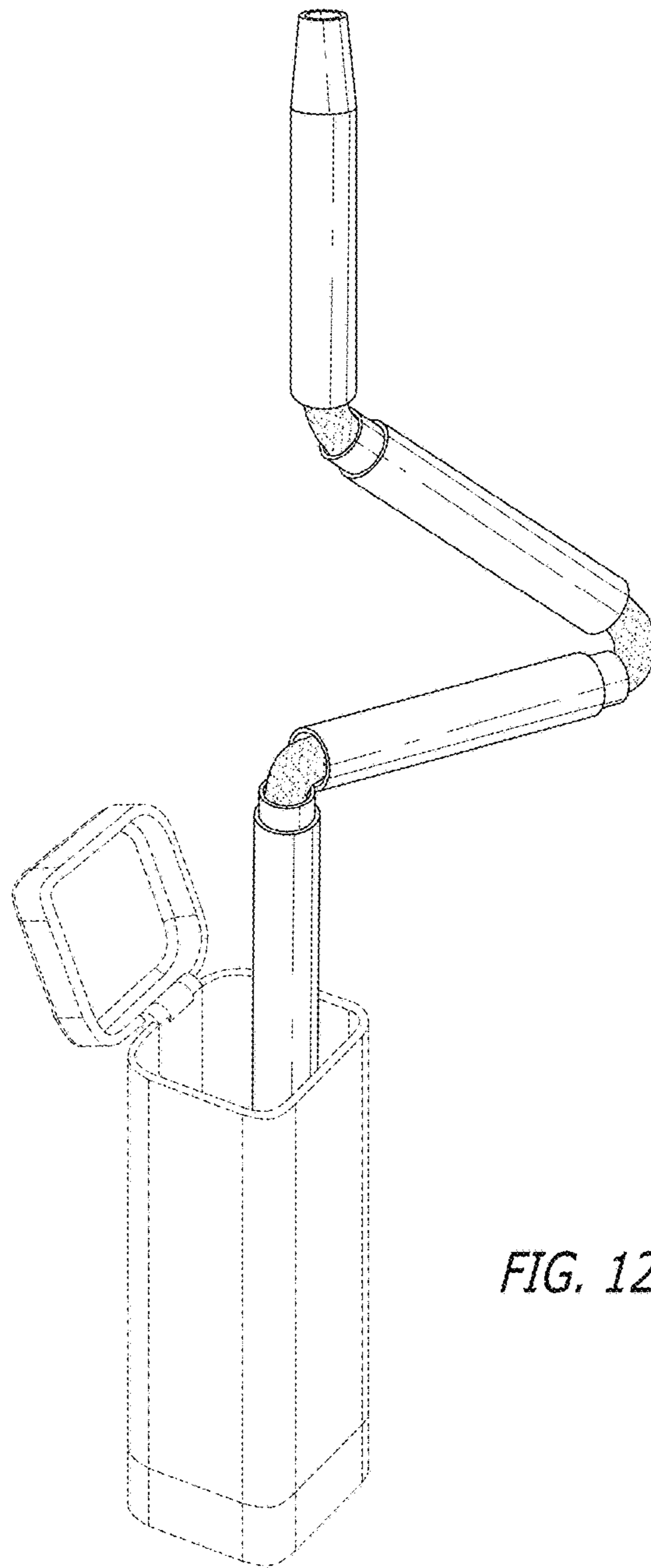


FIG. 12