



US00D853163S

(12) **United States Design Patent**
Kolberg

(10) **Patent No.:** **US D853,163 S**

(45) **Date of Patent:** **** Jul. 9, 2019**

(54) **OFFICE CHAIR**

(71) Applicant: **BOCK 1 GMBH & CO. KG,**
Postbauer-Heng (DE)

(72) Inventor: **Justus Kolberg,** Hamburg (DE)

(73) Assignee: **BOCK 1 GmbH & Co. KG,**
Postbauer-Heng (DE)

(**) Term: **15 Years**

(21) Appl. No.: **35/503,213**

(22) Filed: **May 15, 2017**

(80) **Hague Agreement Data**

Int. Filing Date: **May 15, 2017**

Int. Reg. No.: **DM/096365**

Int. Reg. Date: **May 15, 2017**

Int. Reg. Pub. Date: **Jun. 23, 2017**

(51) **LOC (11) Cl.** **06-06**

(52) **U.S. Cl.**
USPC **D6/716**

(58) **Field of Classification Search**
USPC D6/334, 364-366, 374, 375, 716,
D6/716.1-713.4

CPC .. A47C 1/00; A47C 3/00; A47C 7/004; A47C
7/02; A47C 7/04; A47C 7/54

See application file for complete search history.

(56) **References Cited**

U.S. PATENT DOCUMENTS

D274,769 S * 7/1984 Klier D6/366

4,709,963 A * 12/1987 Uecker A47C 1/03255
297/300.5

4,840,426 A * 6/1989 Vogtherr A47C 1/0325
297/300.5

D355,303 S * 2/1995 Scheper D6/366

D461,347 S * 8/2002 Tsai D6/366

D474,040 S * 5/2003 Meda D6/365
6,848,744 B1 * 2/2005 Raftery A47C 31/02
297/284.1
6,948,775 B2 * 9/2005 Tsai A47C 1/03
297/411.2
D647,717 S * 11/2011 Zund D6/366
D648,552 S * 11/2011 Izawa D6/366
D653,871 S * 2/2012 Jakobsen D6/368
D675,463 S * 2/2013 Collinson D6/366
D686,832 S * 7/2013 Hori D6/376
D695,537 S * 12/2013 Geelen D6/366
D705,561 S * 5/2014 Massaud D6/366
D718,949 S * 12/2014 Meda D6/366
D751,836 S * 3/2016 Izawa D6/366
D762,996 S * 8/2016 Fancelli D6/366
D794,347 S * 8/2017 Cazzaniga D6/366
D824,710 S * 8/2018 Geelen D6/716
D826,586 S * 8/2018 Krob D6/366

* cited by examiner

Primary Examiner — Mary Ann Calabrese

Assistant Examiner — Jennifer L Rempfer

(74) *Attorney, Agent, or Firm* — Laurence A. Greenberg;
Werner H. Stemer; Ralph E. Locher

(57) **CLAIM**

The ornamental design for an office chair, as shown and described.

DESCRIPTION

1.1 is a front elevation view of the office chair showing my new invention;

1.2 is a rear elevation view thereof;

1.3 is a left side elevation view thereof;

1.4 is a right side elevation view thereof;

1.5 is a top elevation view thereof;

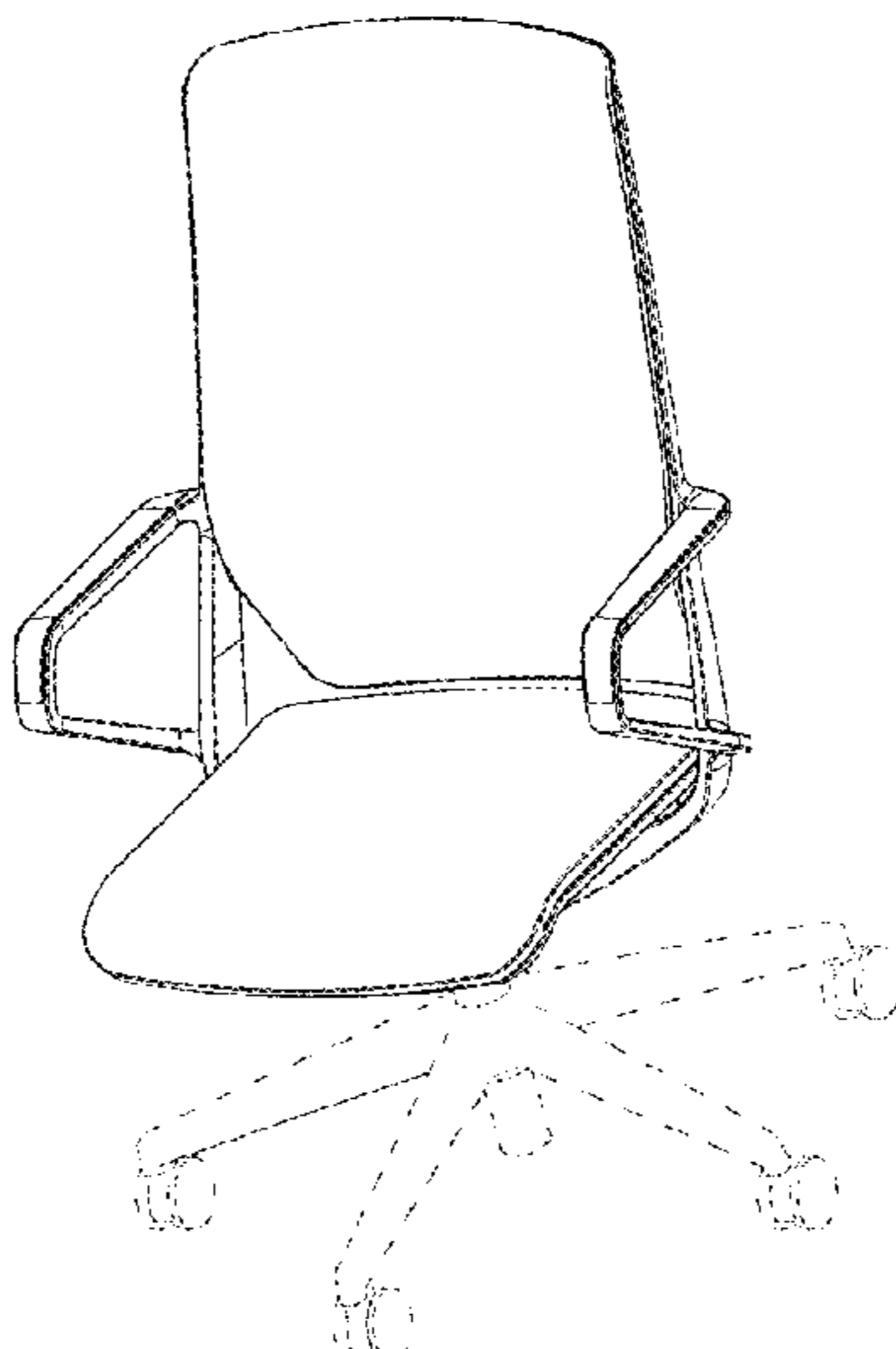
1.6 is a bottom elevation view thereof;

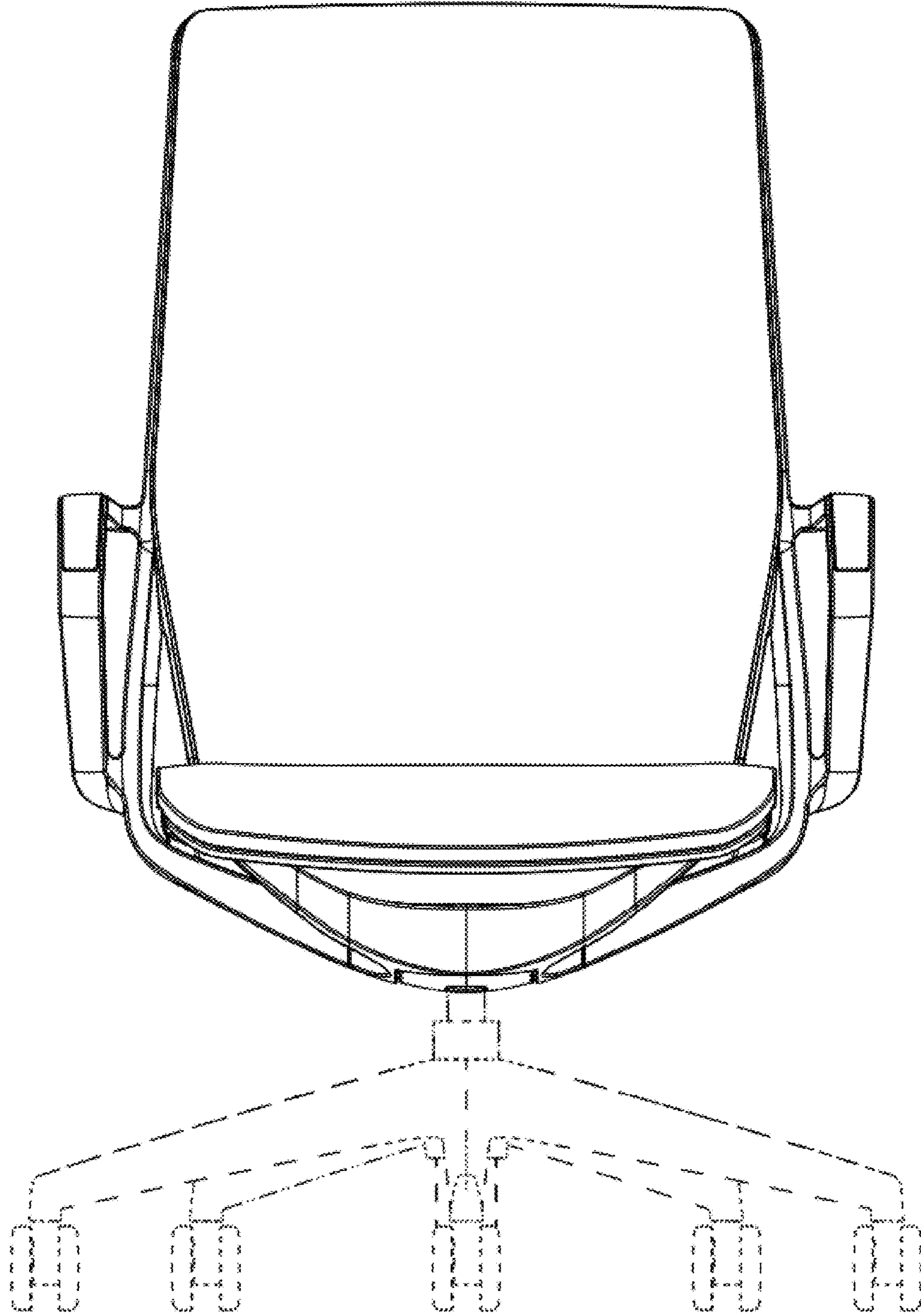
1.7 is a front perspective view thereof; and

1.8 is a rear perspective view thereof.

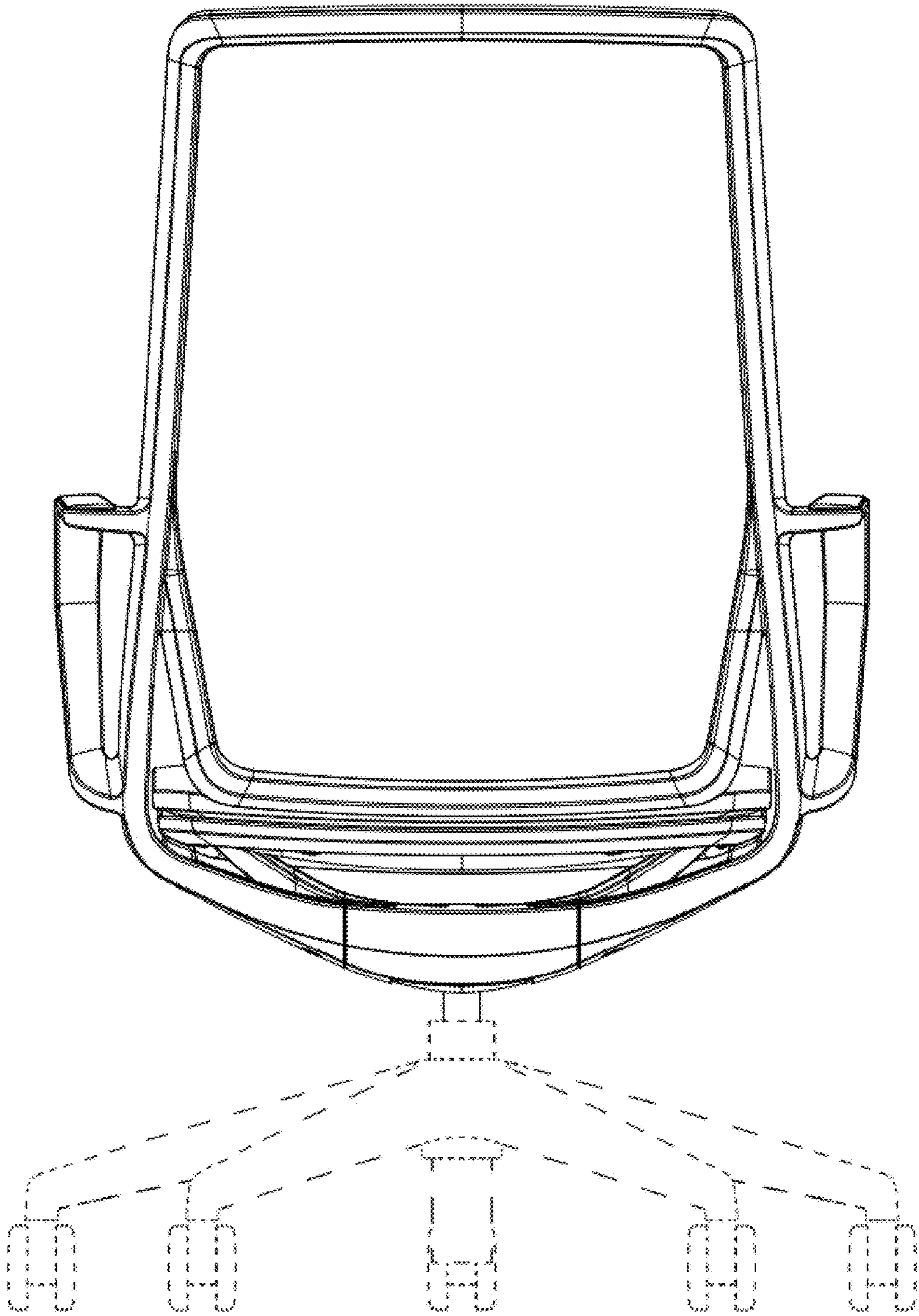
The broken lines represent environmental structure, and form no part of the claimed design.

1 Claim, 8 Drawing Sheets

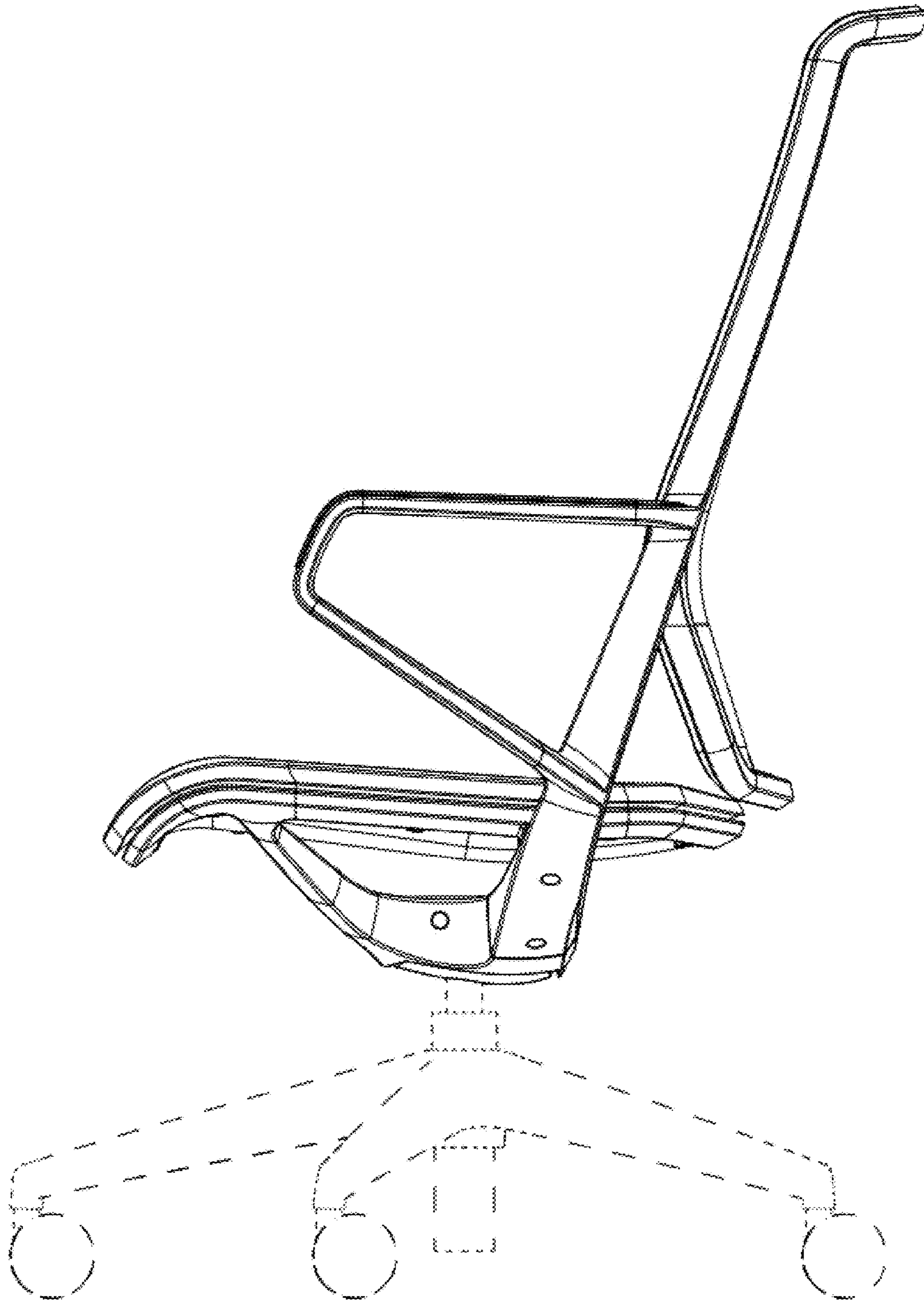




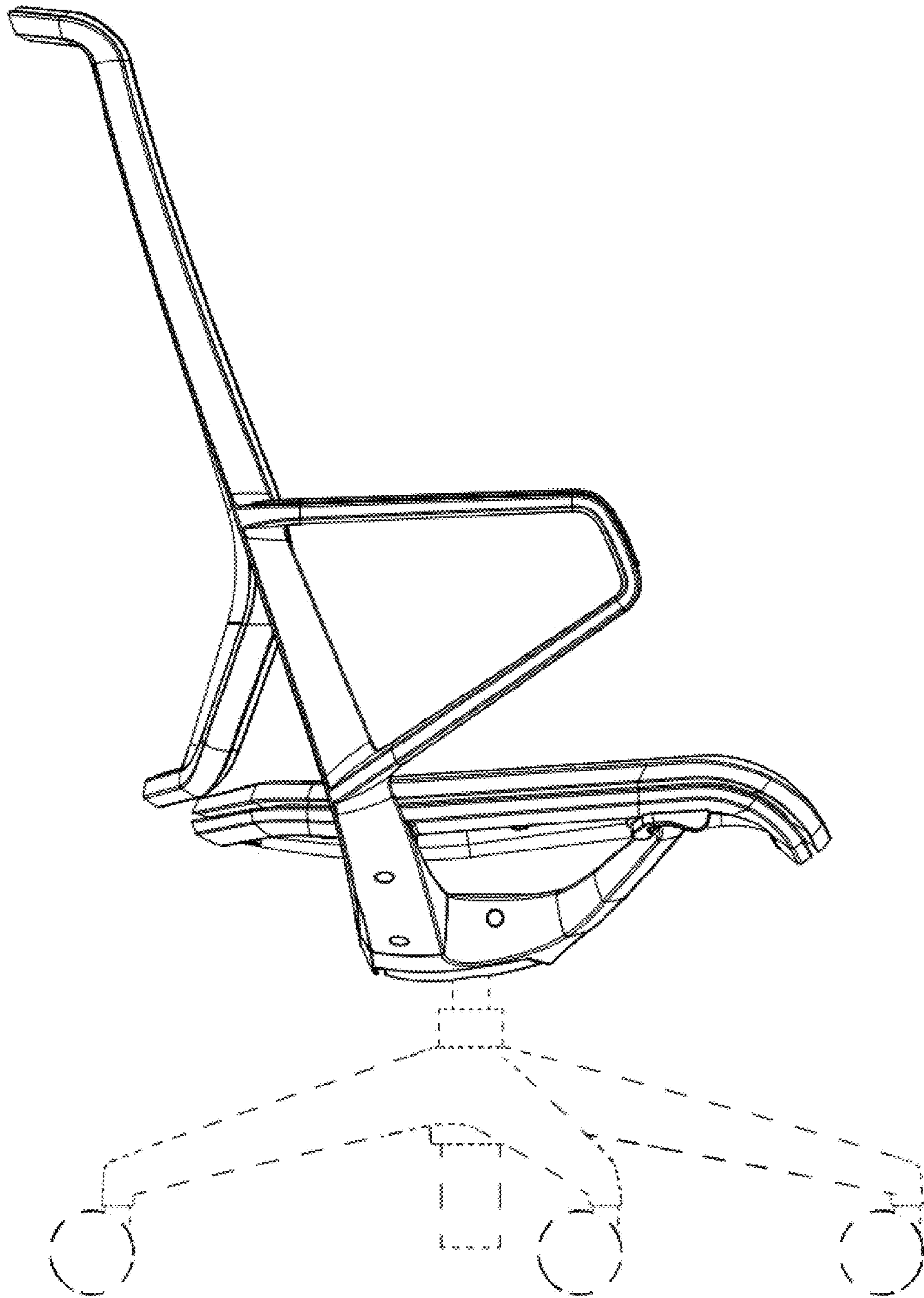
1.1



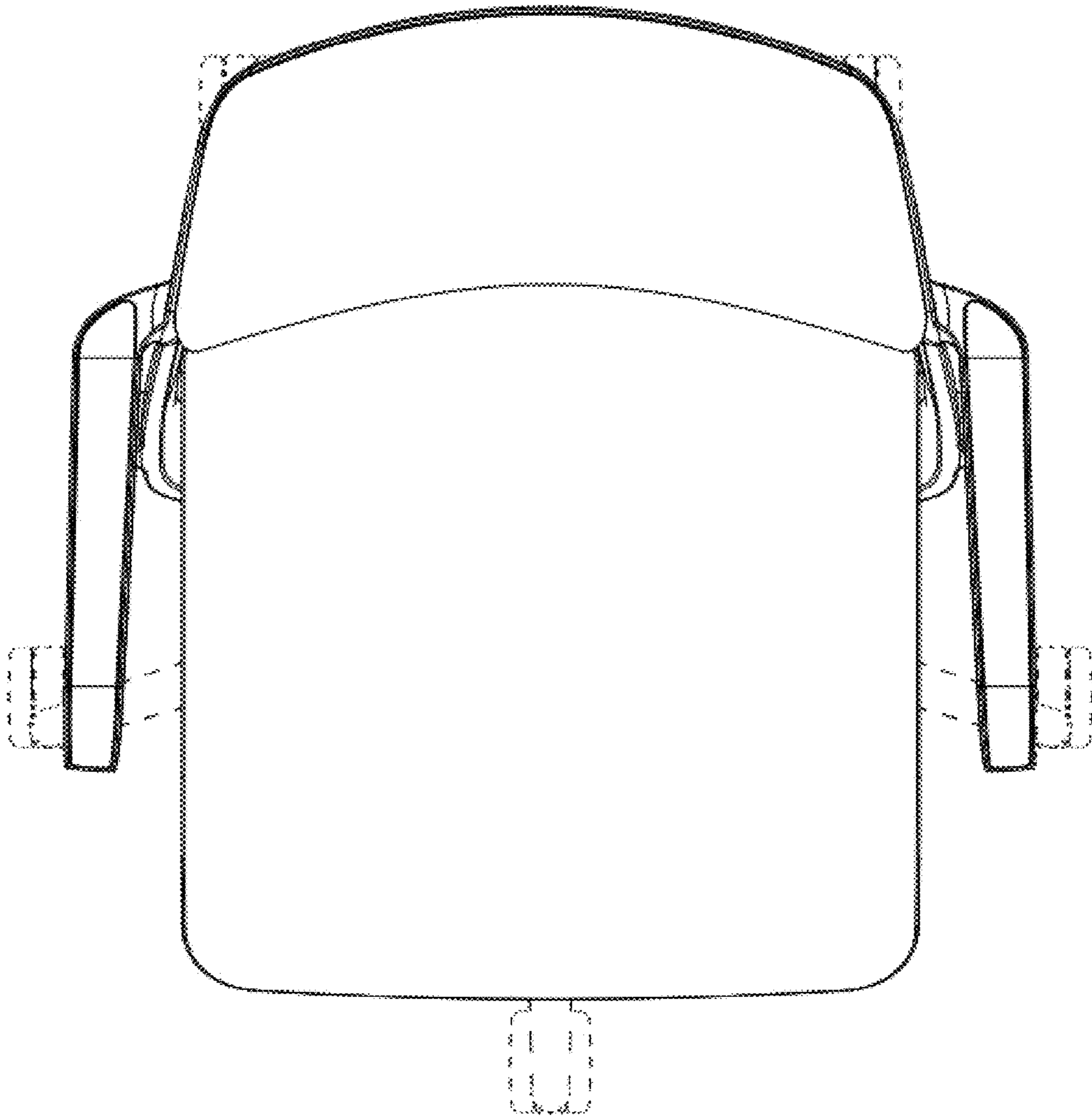
1.2



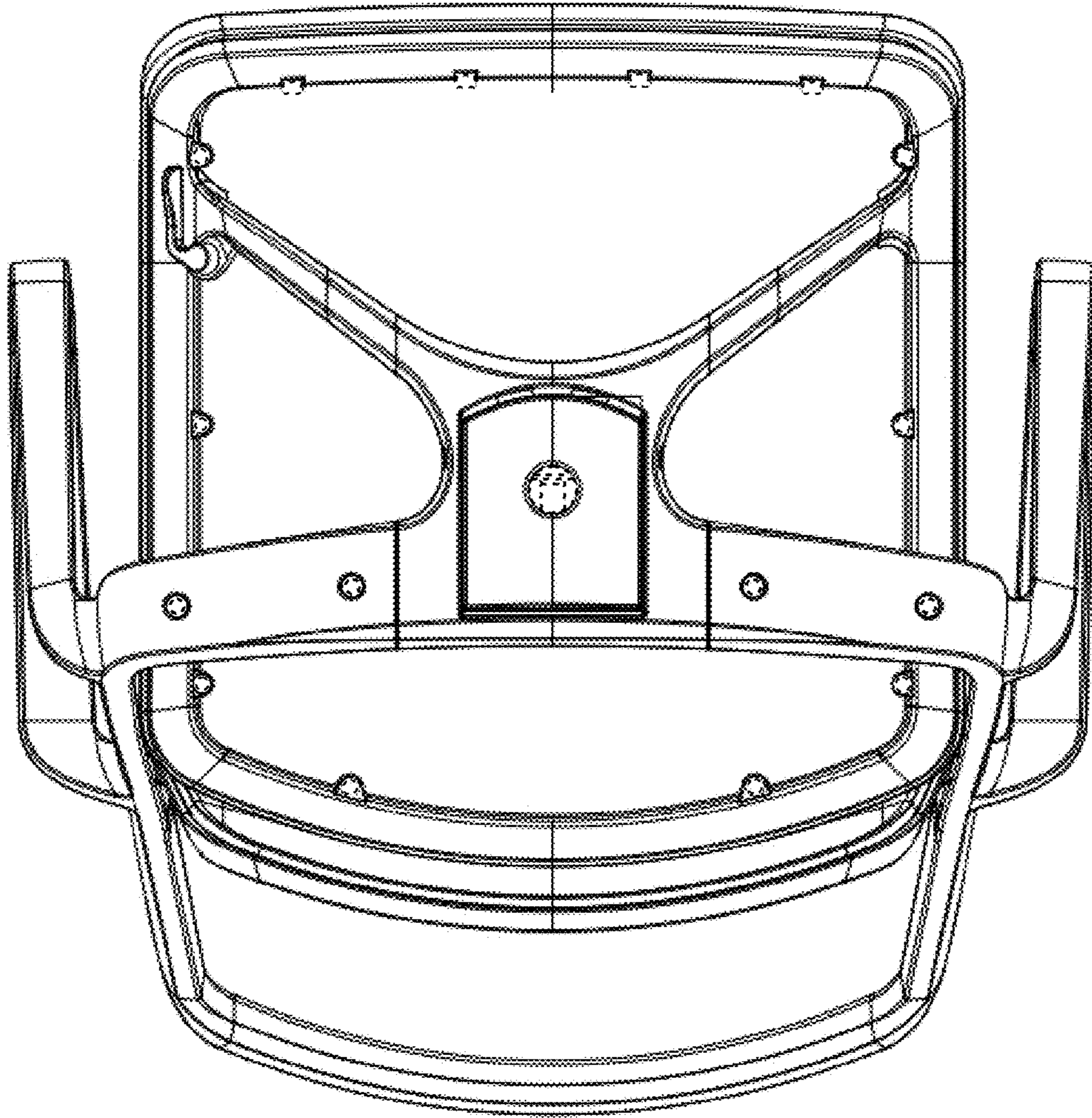
1.3



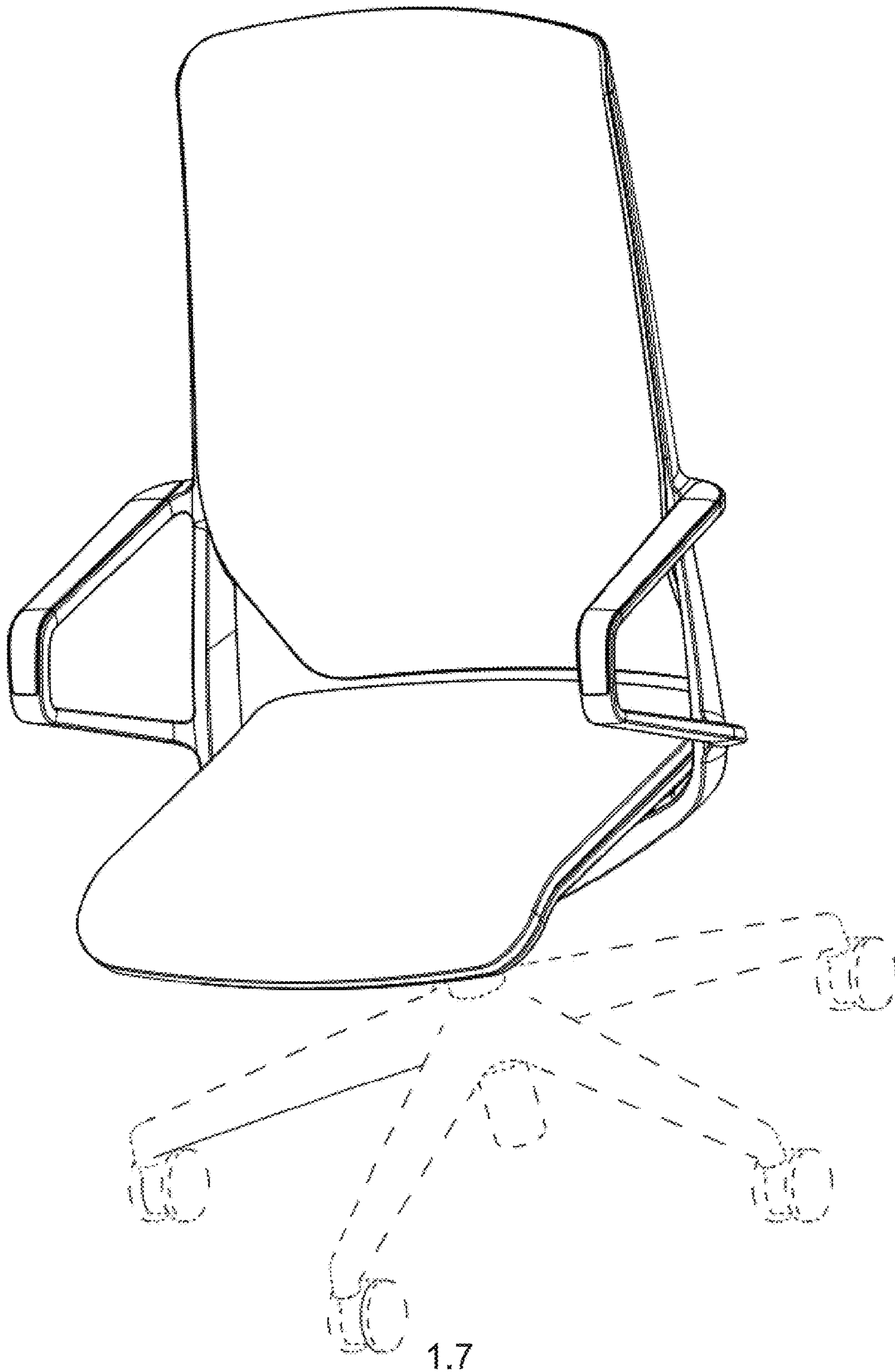
1.4

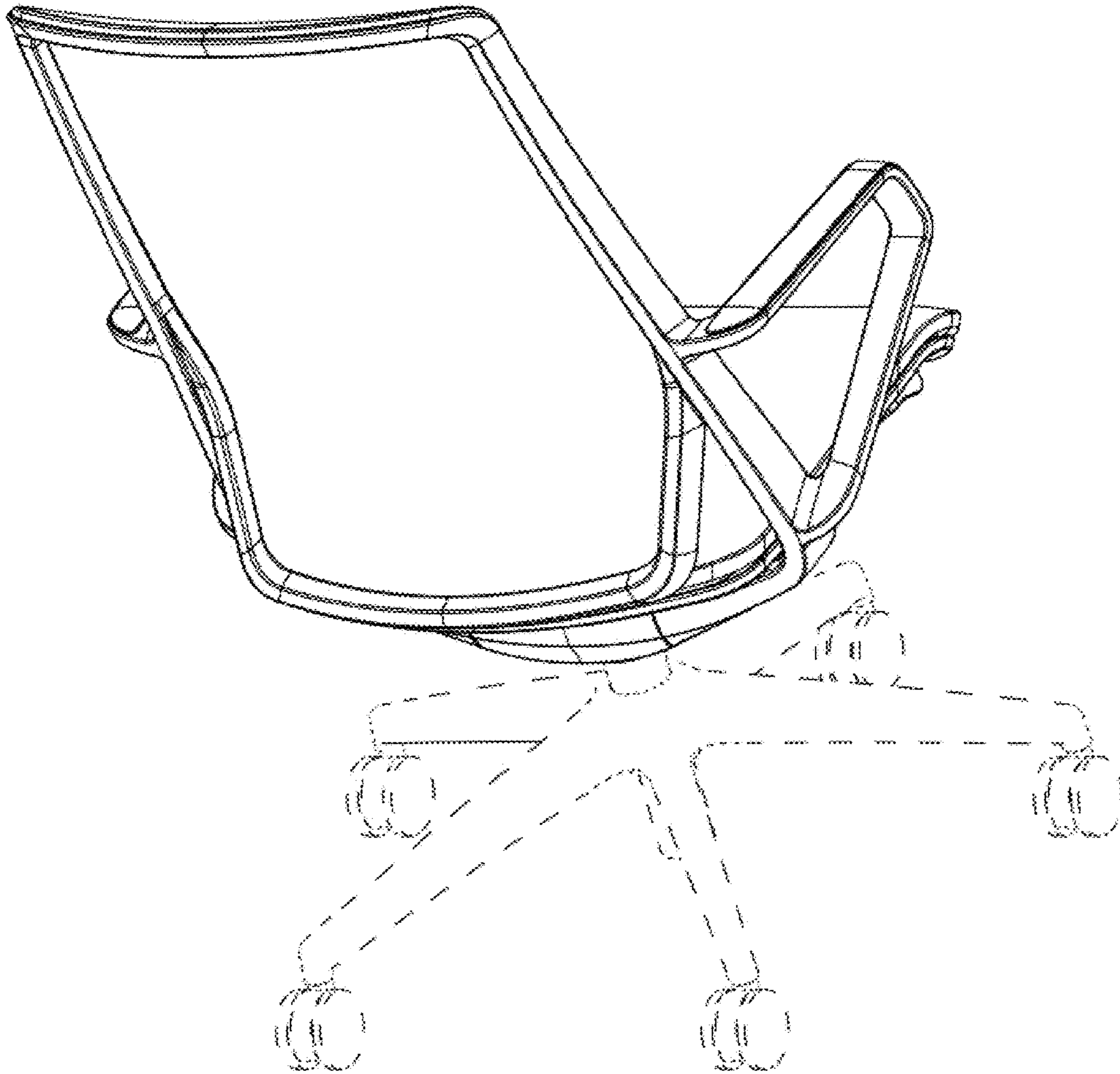


1.5



1.6





1.8