



US00D853162S

(12) **United States Design Patent**
Bernardi

(10) **Patent No.:** **US D853,162 S**
(45) **Date of Patent:** **** Jul. 9, 2019**

- (54) **DINING TABLE**
- (71) Applicant: **J & R Household Co., Ltd.**, Shanghai (CN)
- (72) Inventor: **Lodovico Bernardi**, Vittorio Veneto (IT)
- (73) Assignee: **J & R Household Co., Ltd.**, Shanghai (CN)

- D675,462 S * 2/2013 Petrovich D6/691.8
- D767,923 S * 10/2016 Cochran D6/691
- D772,621 S * 11/2016 Levy D6/691
- D786,591 S * 5/2017 Grabowski D6/691
- D837,578 S * 1/2019 Rundle D6/686

(**) Term: **15 Years**

* cited by examiner

(21) Appl. No.: **29/589,069**

Primary Examiner — Mary Ann Calabrese
(74) *Attorney, Agent, or Firm* — Loza & Loza, LLP;
Michael F. Fedrick

(22) Filed: **Dec. 27, 2016**

(51) **LOC (11) Cl.** **06-03**

(52) **U.S. Cl.**
USPC **D6/691.8**

(58) **Field of Classification Search**
USPC D6/685, 686, 690, 691, 691.1–691.9
CPC A47B 7/00; A47B 11/00; A47B 13/00;
A47B 13/02; A47B 13/08; A47B 13/081;
A47B 13/10; A47B 21/00; A47B
2200/0001; A47B 2200/0011
See application file for complete search history.

(57) **CLAIM**

The ornamental design for a dining table, as shown and described.

DESCRIPTION

FIG. 1 is a perspective view of the present invention;
FIG. 2 is a right side view thereof;
FIG. 3 is a left side view thereof;
FIG. 4 is a front view thereof;
FIG. 5 is a rear view thereof;
FIG. 6 is a top plan view thereof; and,
FIG. 7 is a bottom plan view thereof.
The broken line showing in FIG. 7 is included for the purpose of illustrating unclaimed portions of the dining table and forms no part of the claimed design. The design of the present invention creates the illusion that the table top is floating above the base of the dining table.

(56) **References Cited**

U.S. PATENT DOCUMENTS

- D448,216 S * 9/2001 Kolberg D6/691.8
- D604,965 S * 12/2009 Gilad D6/686

1 Claim, 7 Drawing Sheets

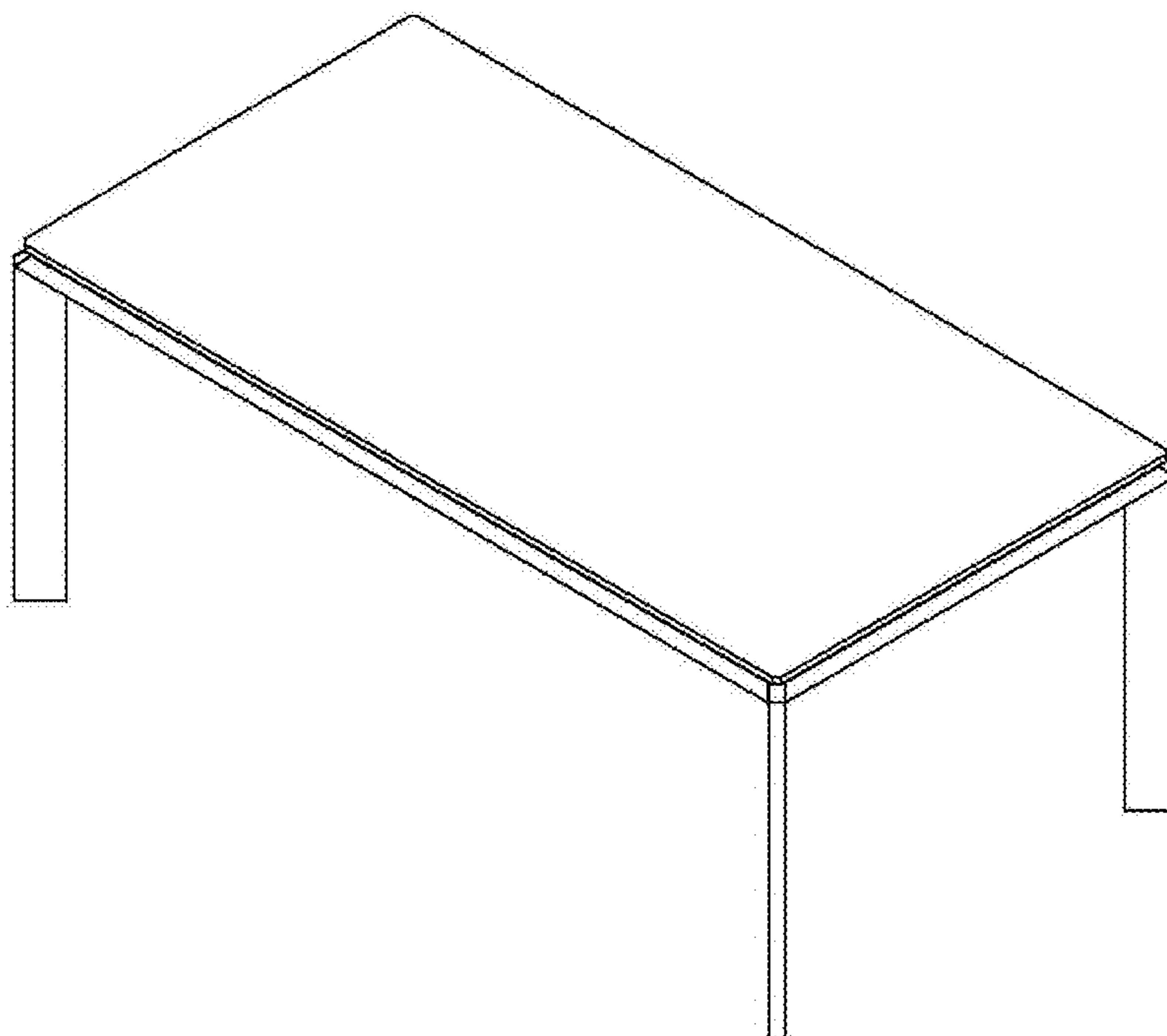


Figure 1

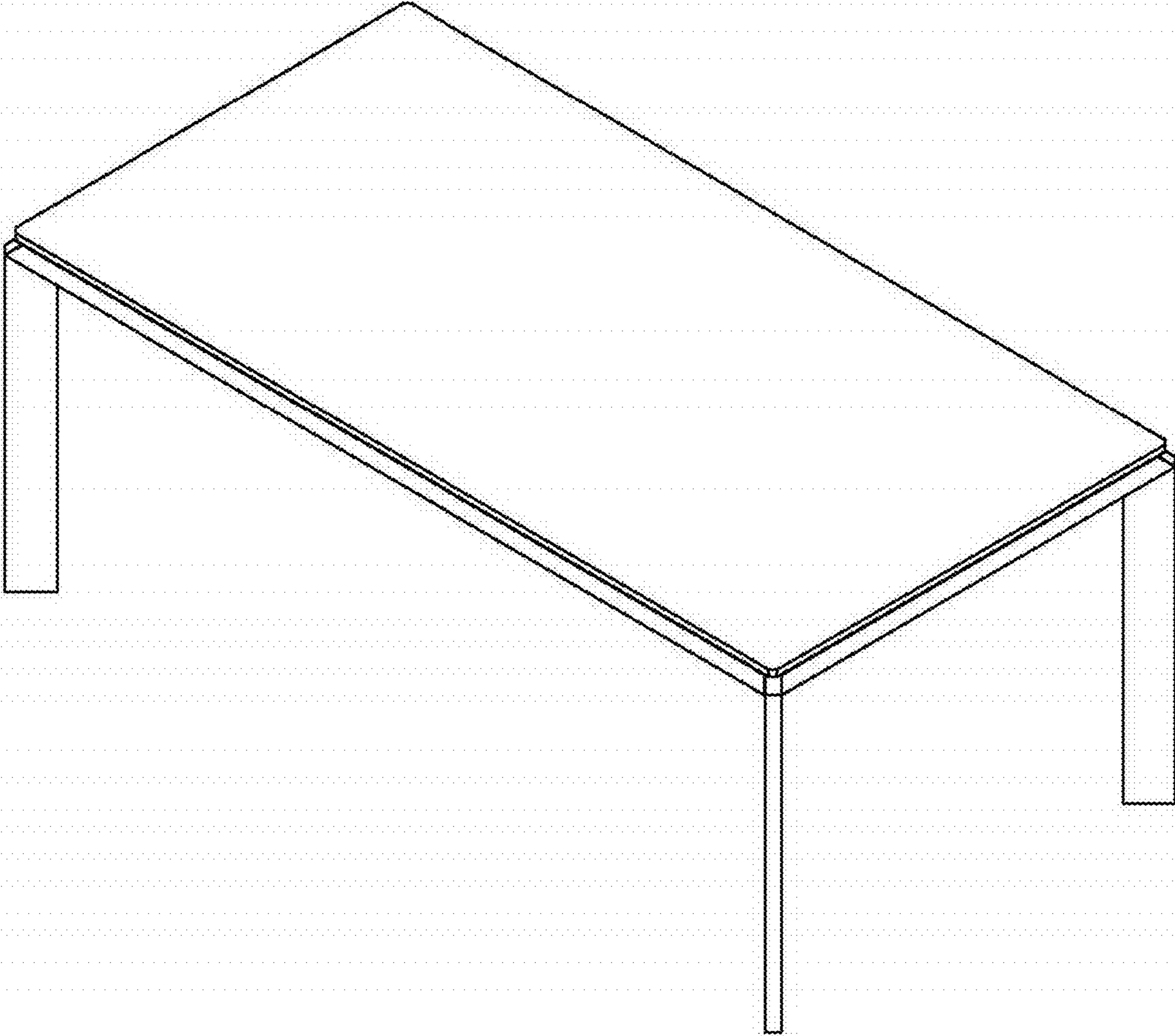


Figure 2

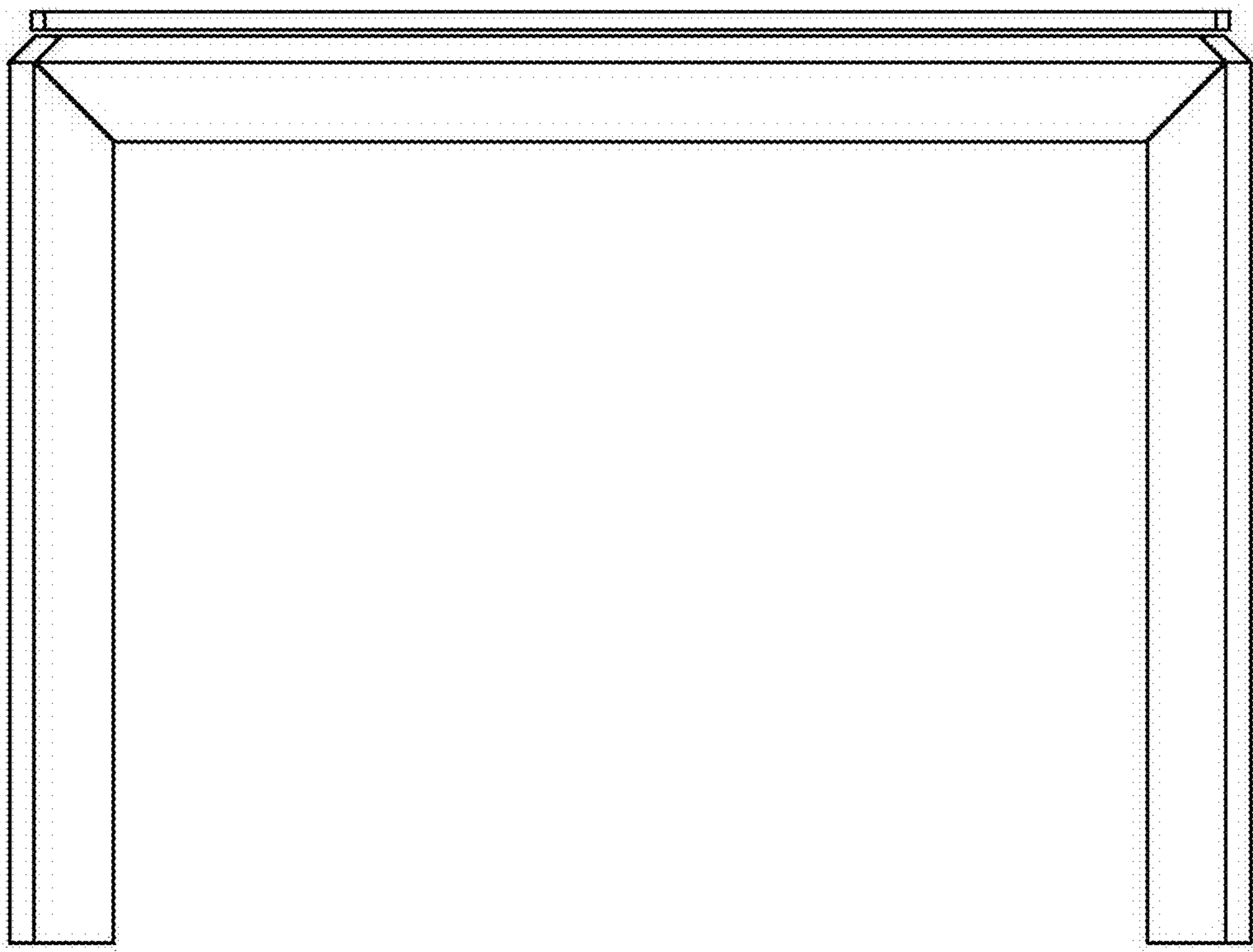


Figure 3

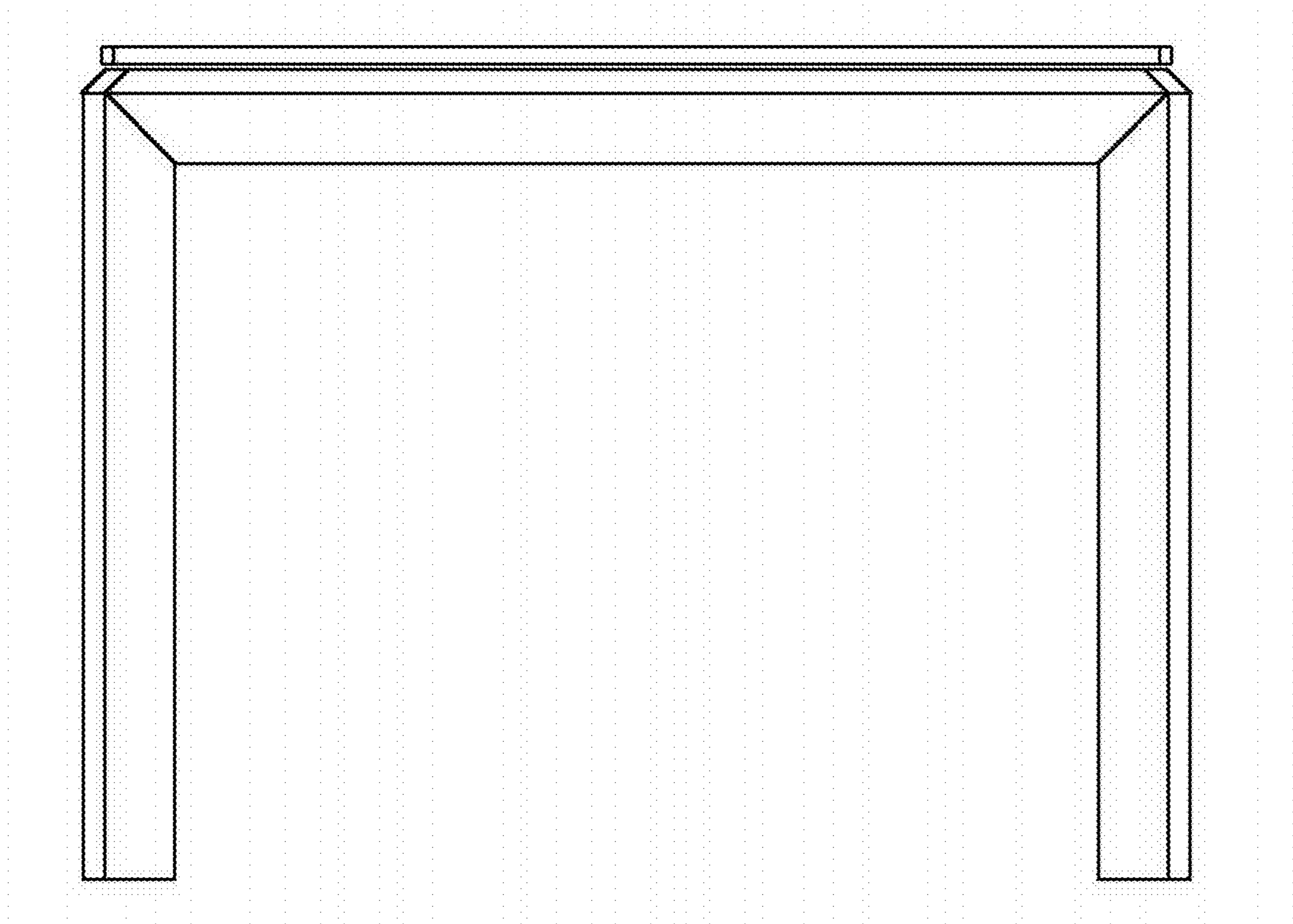


Figure 4

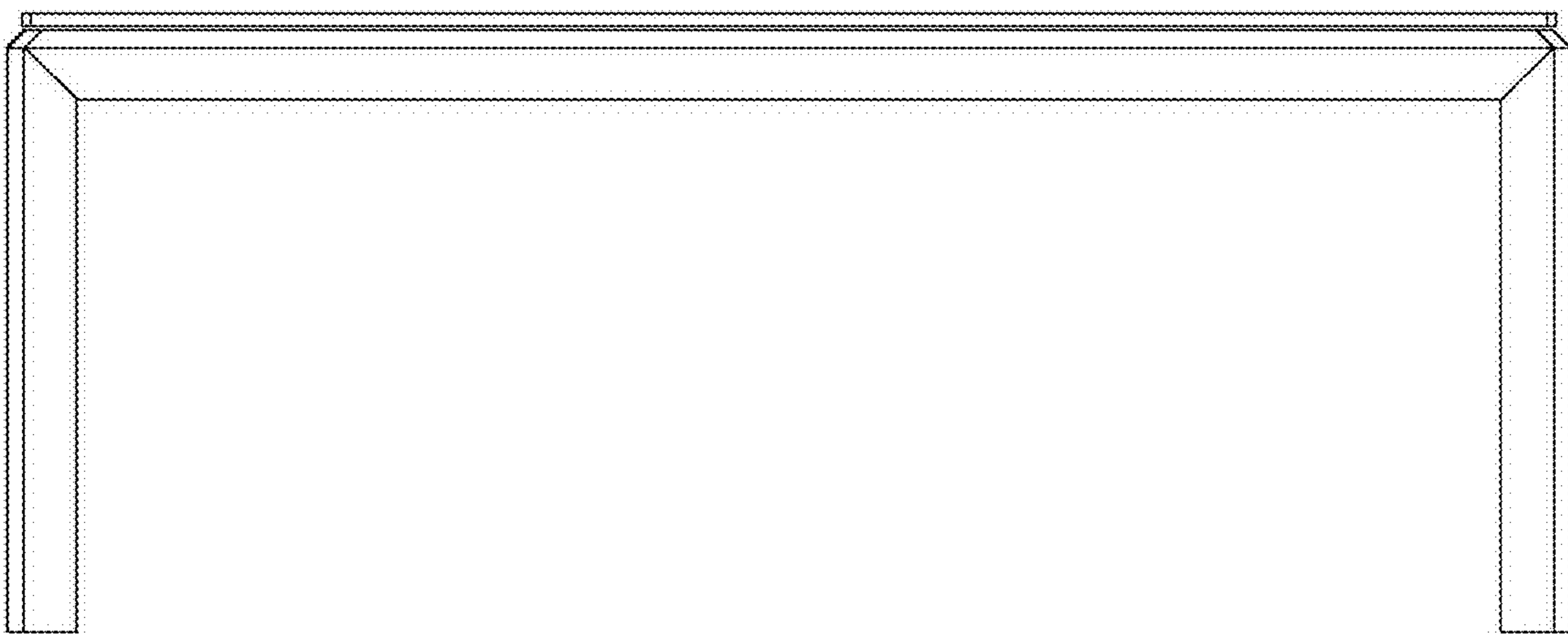


Figure 5

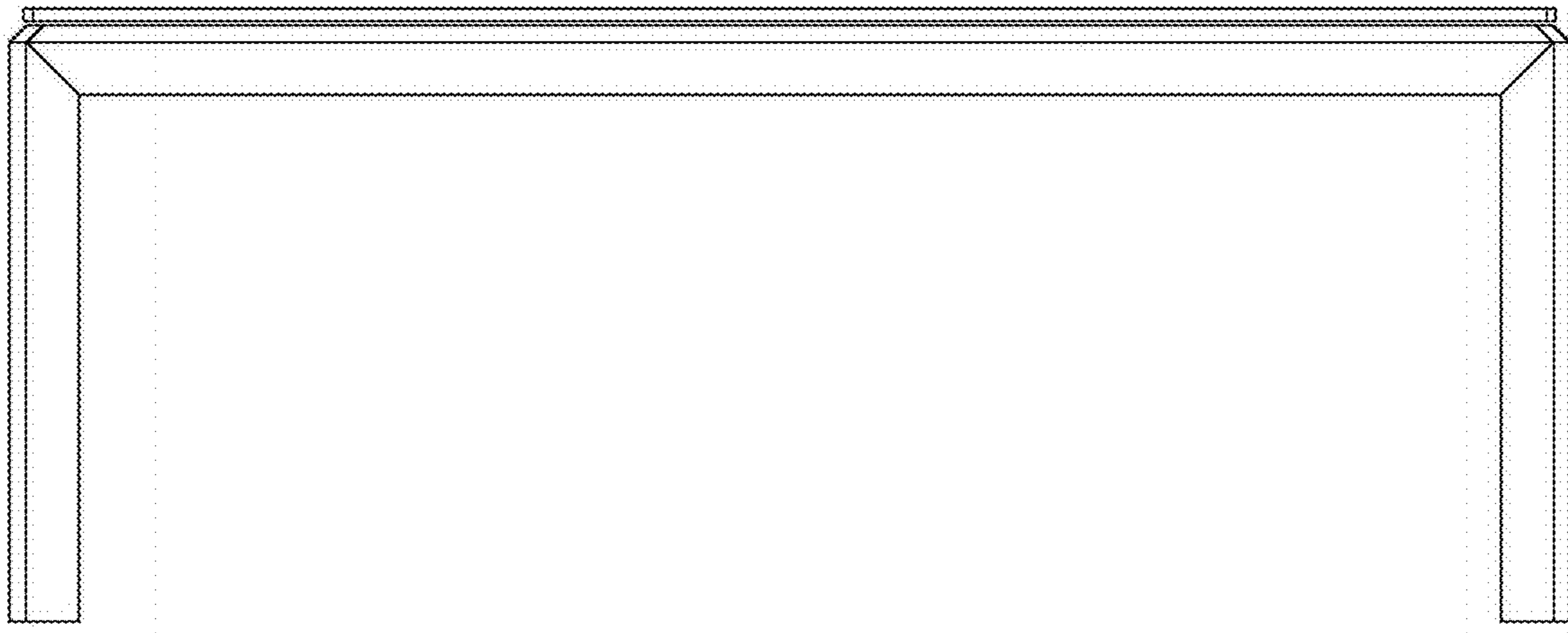


Figure 6

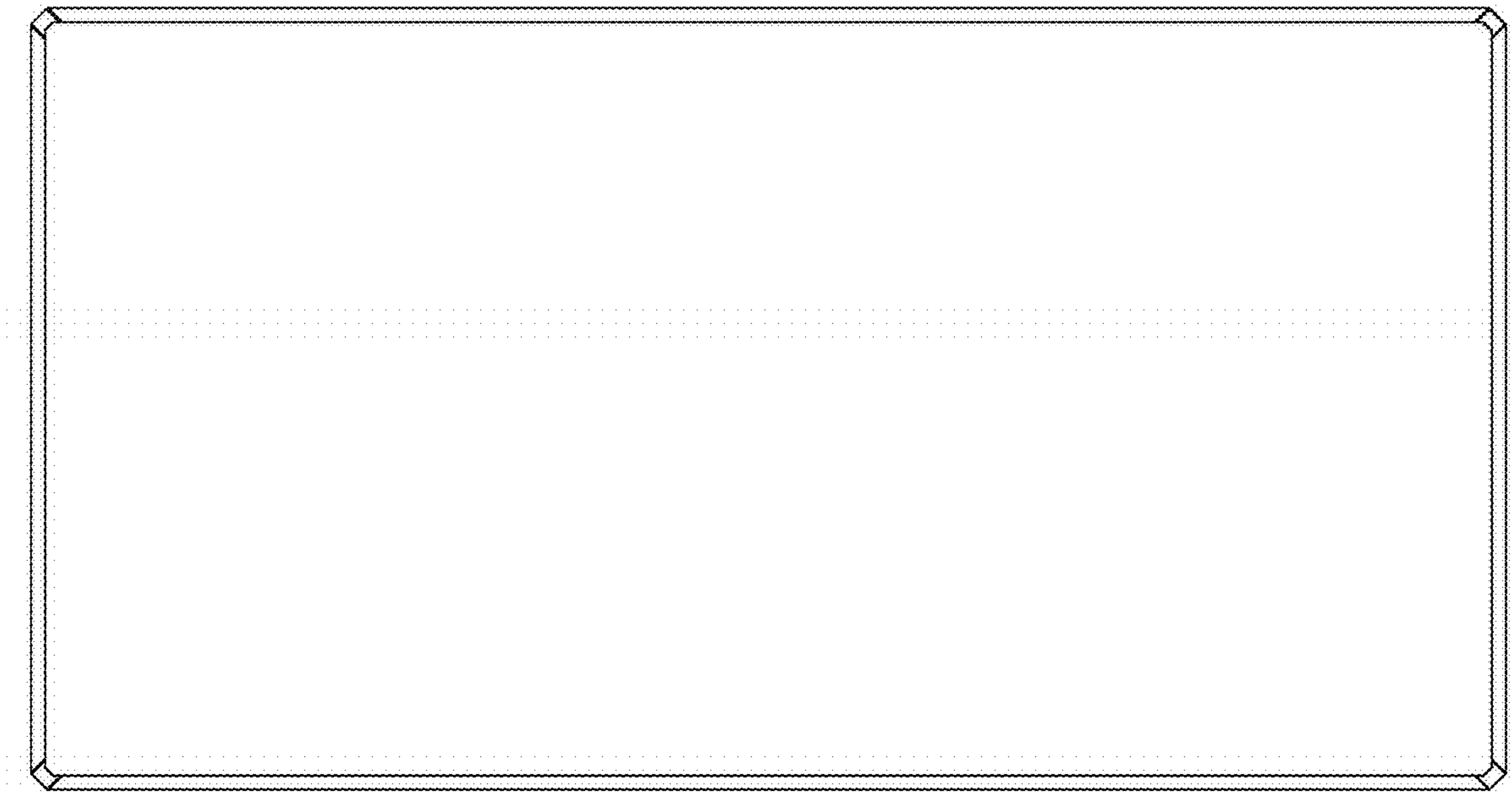


Figure 7

