



US00D853161S

(12) **United States Design Patent**
Parikh et al.

(10) **Patent No.:** **US D853,161 S**
(45) **Date of Patent:** **** Jul. 9, 2019**

(54) **TABLE**
(71) Applicant: **Williams-Sonoma, Inc.**, San Francisco, CA (US)
(72) Inventors: **Andrea Parikh**, Brooklyn, NY (US); **Jeffrey C. Hanoosh**, Brooklyn, NY (US)
(73) Assignee: **Williams-Sonoma, Inc.**, San Francisco, CA (US)

(**) Term: **15 Years**

(21) Appl. No.: **29/618,634**

(22) Filed: **Sep. 22, 2017**

(51) **LOC (11) Cl.** **06-03**

(52) **U.S. Cl.**
USPC **D6/691.3**

(58) **Field of Classification Search**
USPC D6/641, 685, 686, 691, 691.1-691.9
CPC A47B 7/00; A47B 7/02; A47B 9/00; A47B 13/00; A47B 13/003; A47B 13/02; A47B 13/04; A47B 13/06; A47B 13/08; A47B 13/12; A47B 21/00; A47B 2200/0001; A47B 2200/0011; A47B 2200/002
See application file for complete search history.

(56) **References Cited**

U.S. PATENT DOCUMENTS

D280,686 S * 9/1985 Kramer D6/691.7
D308,444 S * 6/1990 Burdick D6/685

D382,424 S * 8/1997 Lenger D6/691.3
D386,331 S * 11/1997 Grosfillex D6/708
D415,371 S * 10/1999 Lewis A47B 3/087
D6/691
D446,974 S * 8/2001 Muller D6/691.3
D588,847 S * 3/2009 Lovegrove D6/708.16
D650,612 S * 12/2011 Frinier D6/691.3
D724,871 S * 3/2015 Davis D6/691
D801,092 S * 10/2017 Merritt D6/691
2013/0139737 A1 * 6/2013 Kleinklaus A47B 3/087
108/166

* cited by examiner

Primary Examiner — Mary Ann Calabrese

(74) *Attorney, Agent, or Firm* — Cook Alex Ltd.; R. Blake Johnston

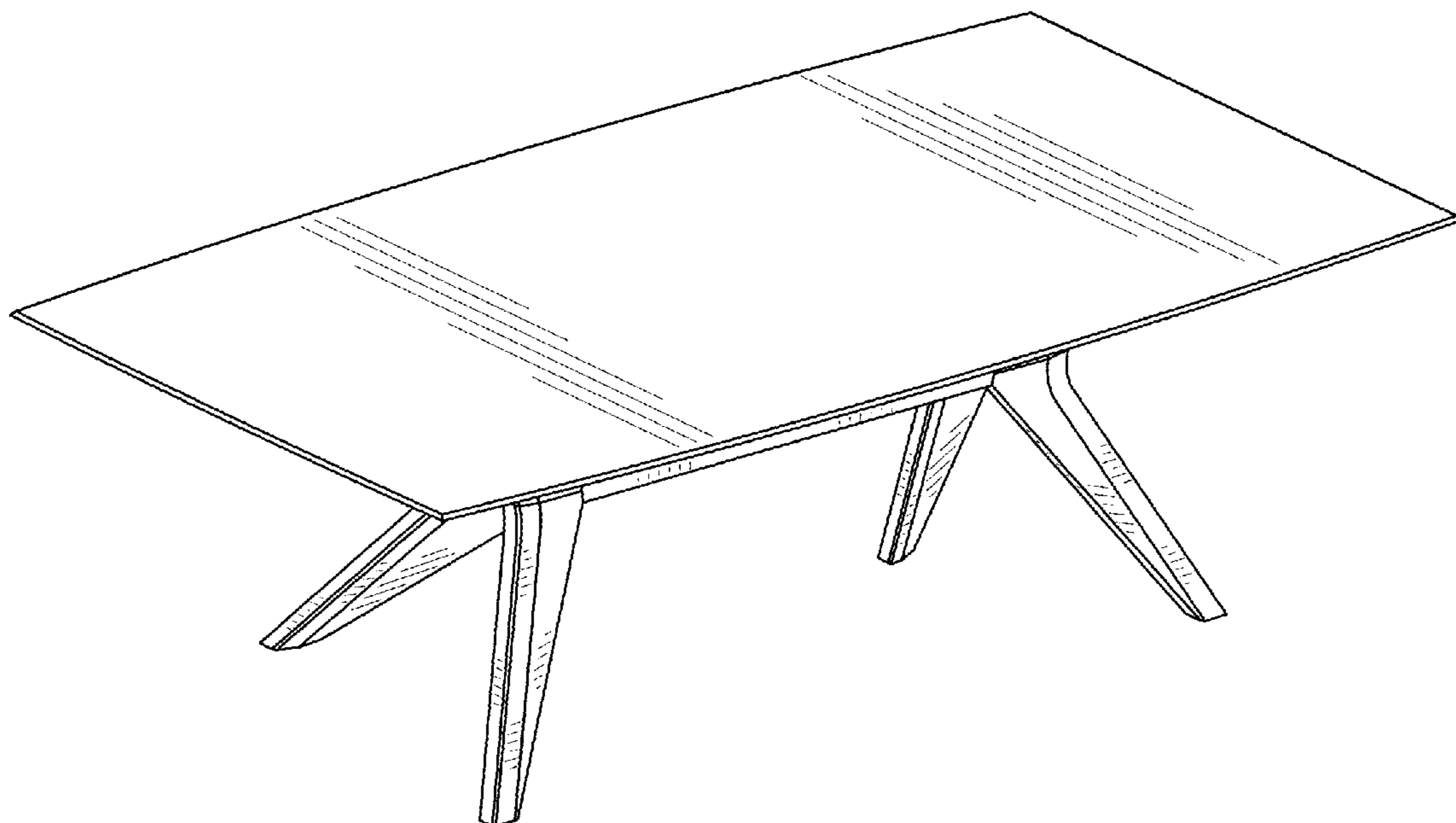
(57) **CLAIM**

The ornamental design for a table, as shown and described.

DESCRIPTION

FIG. 1 is a perspective view of the table;
FIG. 2 is a front elevational view of the table, the rear side of which is identical;
FIG. 3 is a right side elevational view of the table, the opposite side of which is identical;
FIG. 4 is a top plan view of the table; and
FIG. 5 is a bottom plan view of the table.
The broken lines shown in the drawings illustrate portions of the table that form no part of the claimed design.

1 Claim, 3 Drawing Sheets



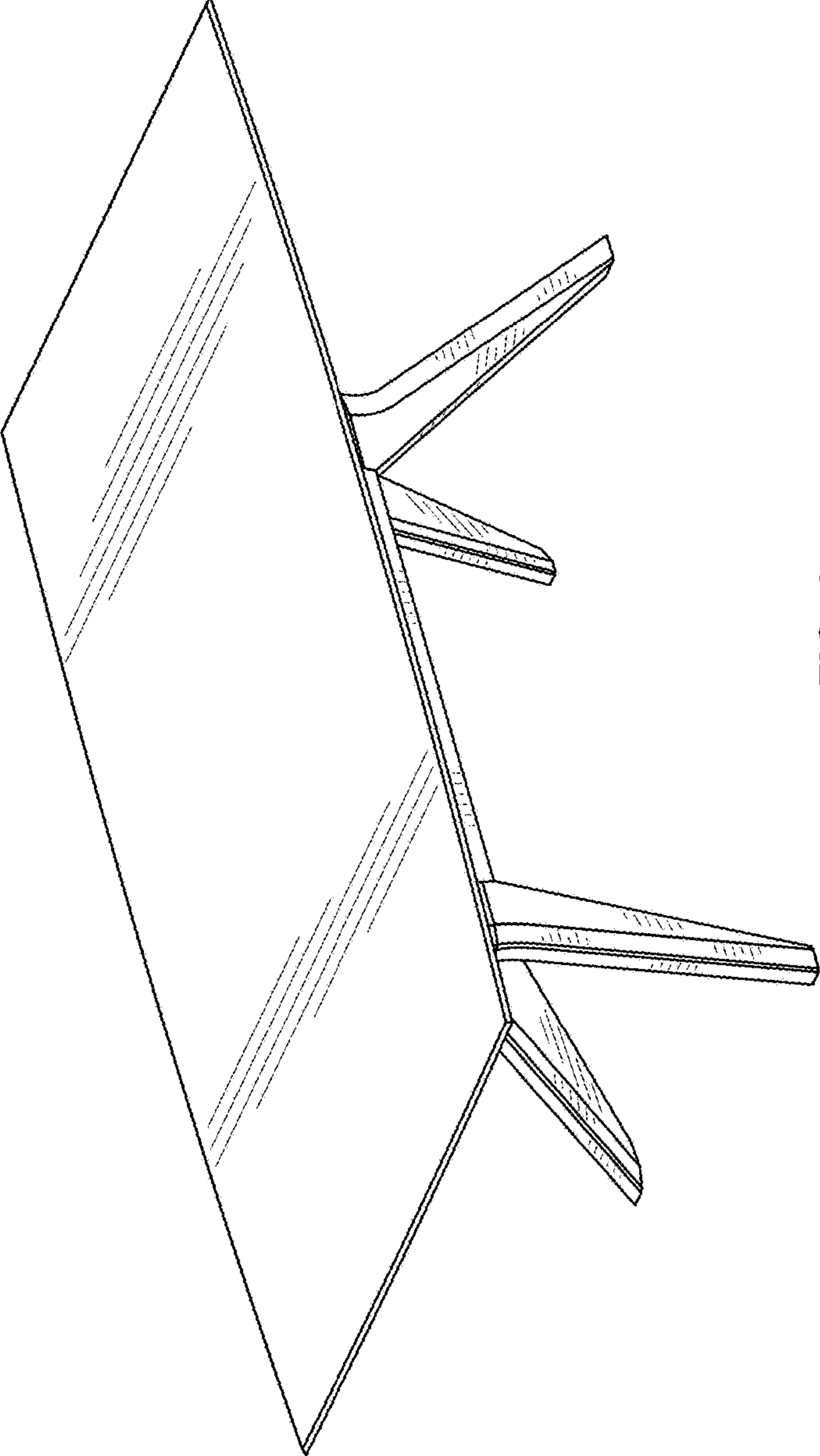


FIG. 1

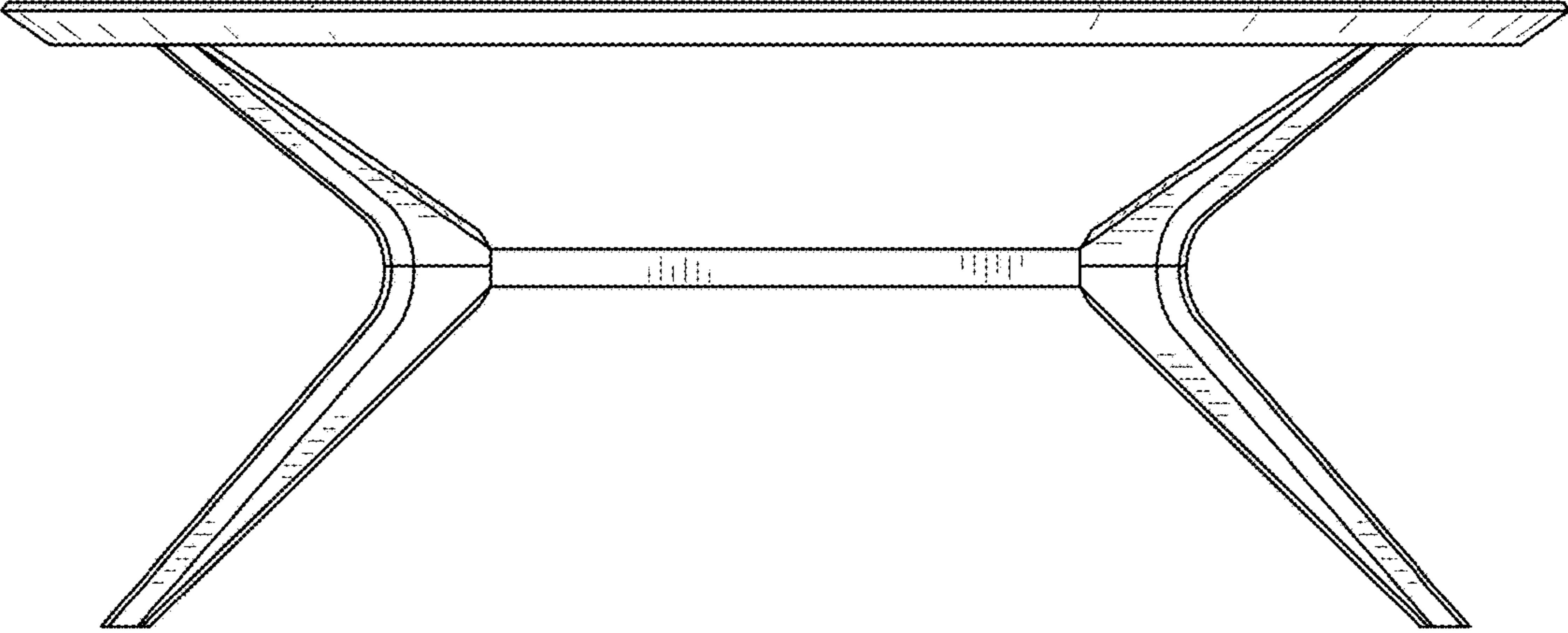


FIG. 2

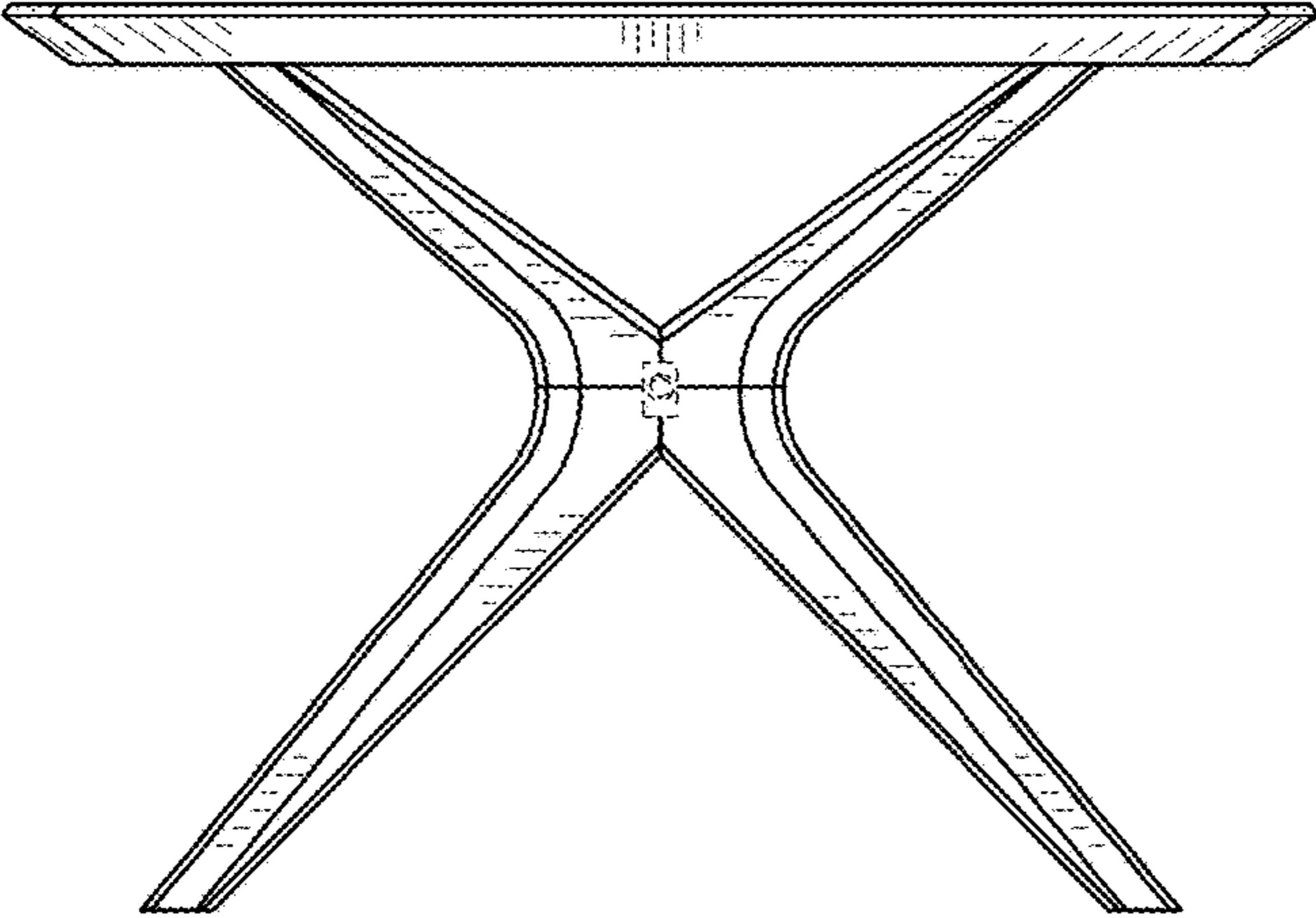


FIG. 3

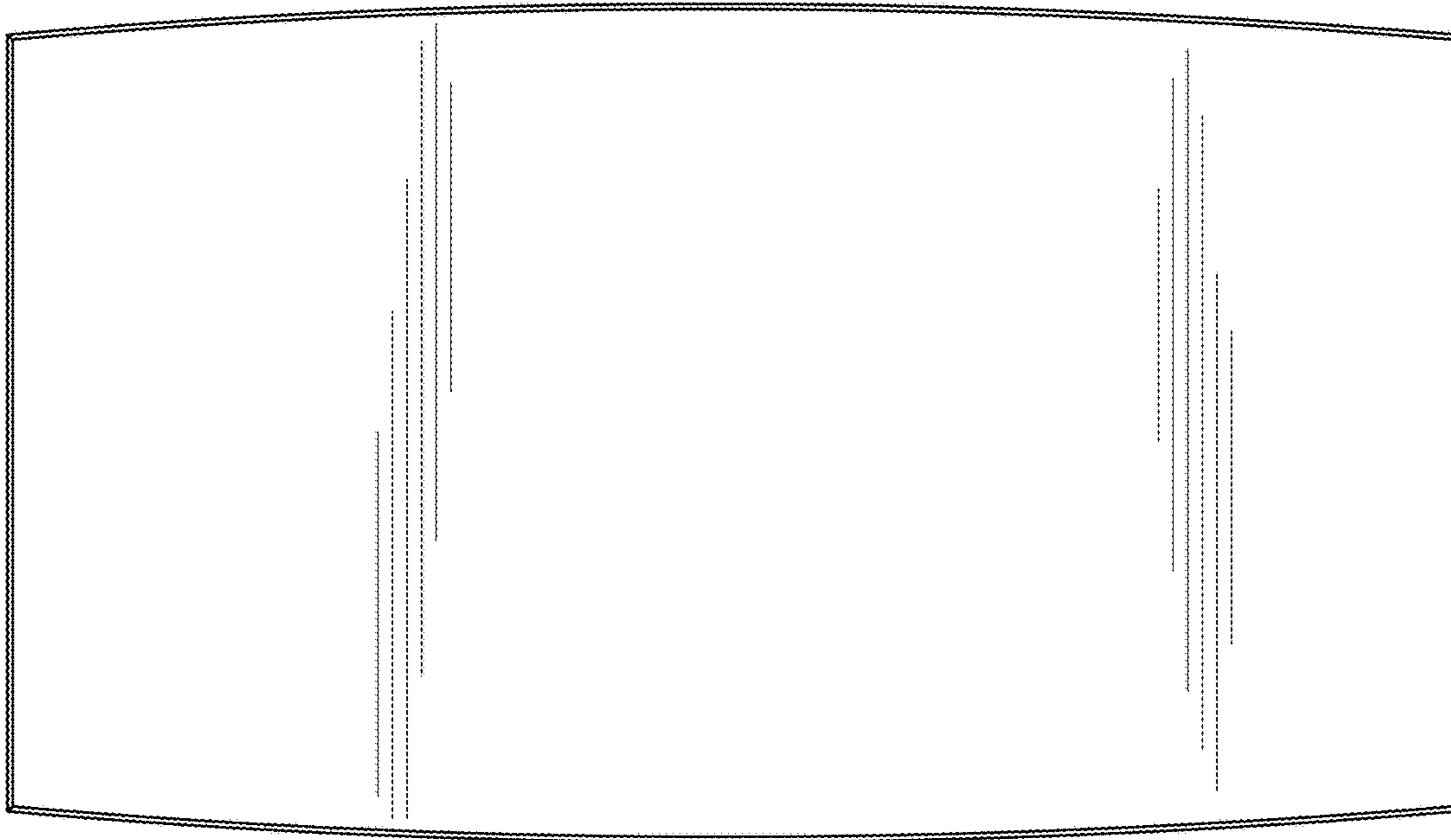


FIG. 4

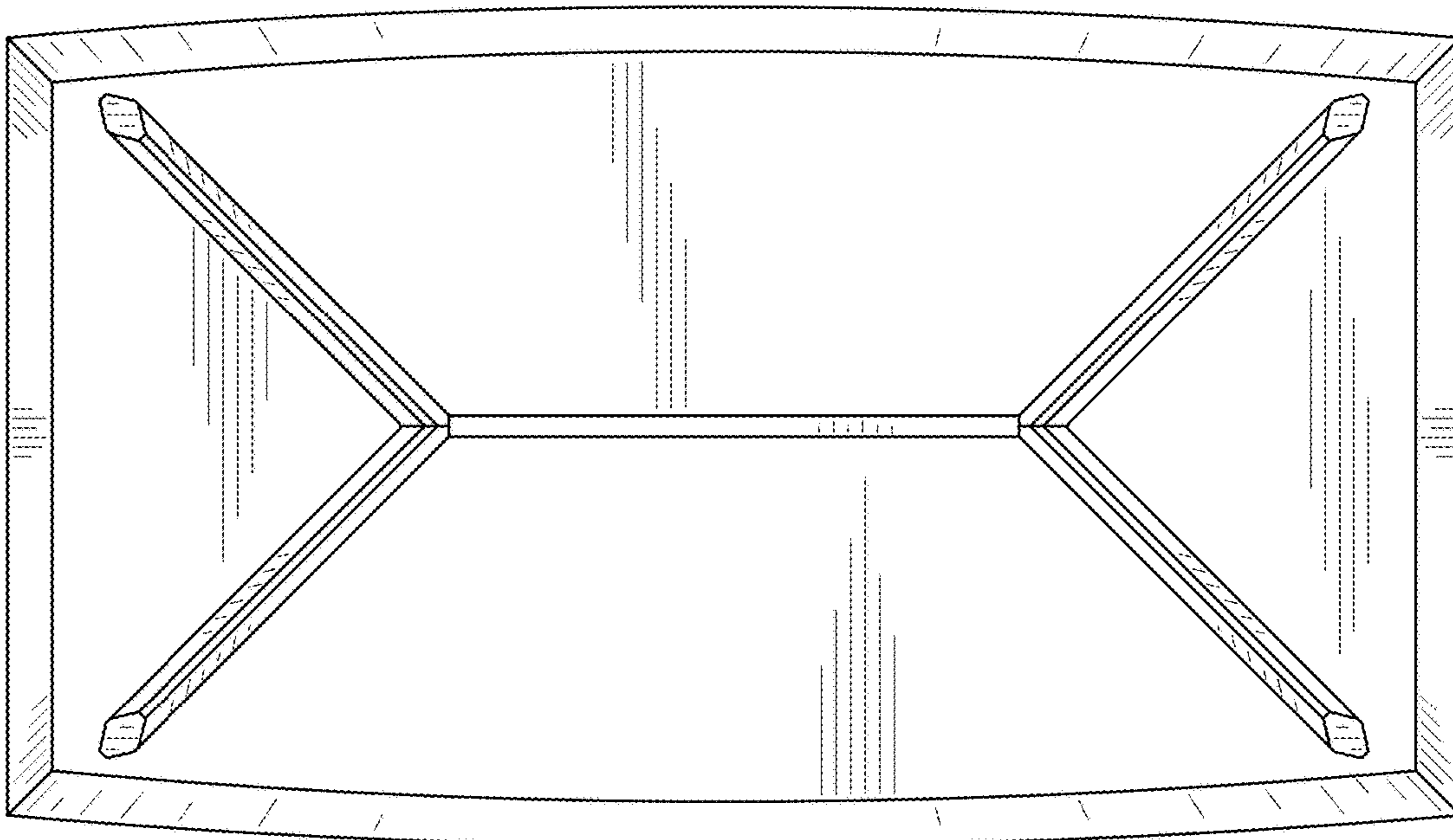


FIG. 5