



US00D853160S

(12) **United States Design Patent**
Barber et al.

(10) **Patent No.:** **US D853,160 S**
(45) **Date of Patent:** **** Jul. 9, 2019**

- (54) **TABLE**
- (71) Applicant: **DEDON, GmbH**, Lüneburg (DE)
- (72) Inventors: **Edward Barber**, London (GB); **Jay Osgerby**, London (GB)
- (73) Assignee: **DEDON, GmbH**, Lüneburg (DE)
- (**) Term: **15 Years**
- (21) Appl. No.: **29/588,685**
- (22) Filed: **Dec. 22, 2016**
- (51) **LOC (11) Cl.** **06-03**
- (52) **U.S. Cl.**
USPC **D6/691.1**
- (58) **Field of Classification Search**
USPC D6/349, 685, 686, 691, 691.1–691.9
CPC A47B 7/00; A47B 13/00; A47B 13/02;
A47B 13/04; A47B 13/008; A47B 21/00;
A47B 2200/001; A47B 2200/011
See application file for complete search history.

- D294,318 S * 2/1988 Zapf A47B 3/00
D6/691.6
- D331,163 S * 11/1992 Bellini D6/656.13
- D414,354 S * 9/1999 Gower A47B 13/021
D6/691.1
- D780,469 S * 3/2017 Cohen A47B 95/043
D6/349
- D783,324 S * 4/2017 Akana D6/691.1
- D833,189 S * 11/2018 Inovero D6/691.8
- 2010/0043679 A1 * 2/2010 Laws A47B 95/043
108/64

* cited by examiner

Primary Examiner — Mary Ann Calabrese

(74) *Attorney, Agent, or Firm* — MacCord Mason PLLC

(57) **CLAIM**

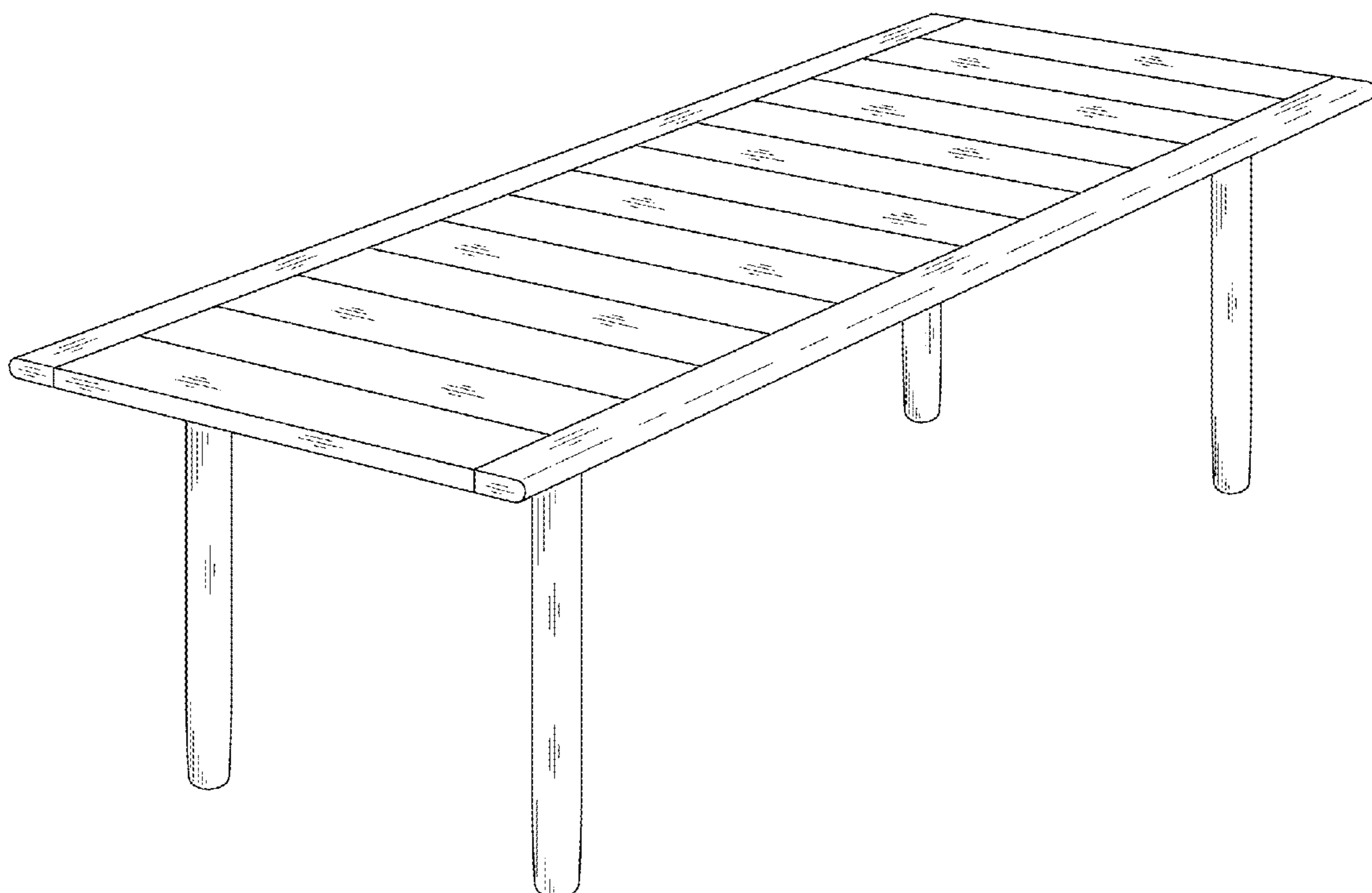
The ornamental design for table, as shown and described.

DESCRIPTION

FIG. 1 is a perspective view of a table showing my new design;
 FIG. 2 is a side view, the opposite side being a mirror image thereof;
 FIG. 3 is an end view thereof; and,
 FIG. 4 is a top view thereof.

1 Claim, 4 Drawing Sheets

- (56) **References Cited**
U.S. PATENT DOCUMENTS
- 3,887,288 A * 6/1975 Glaser A47B 3/00
211/189
- 4,039,133 A * 8/1977 Streicher A47B 13/021
108/158.11



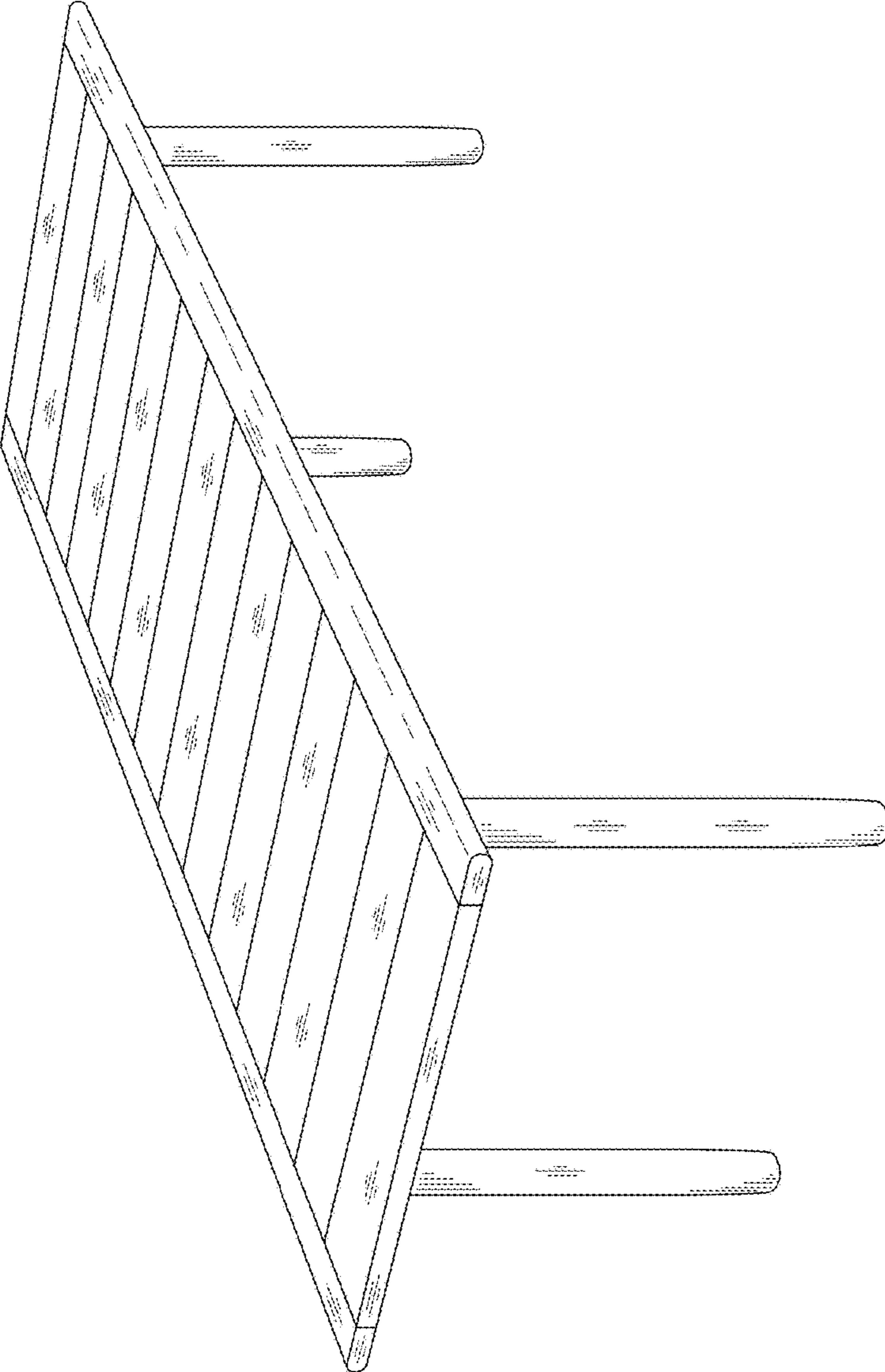


FIG. 1

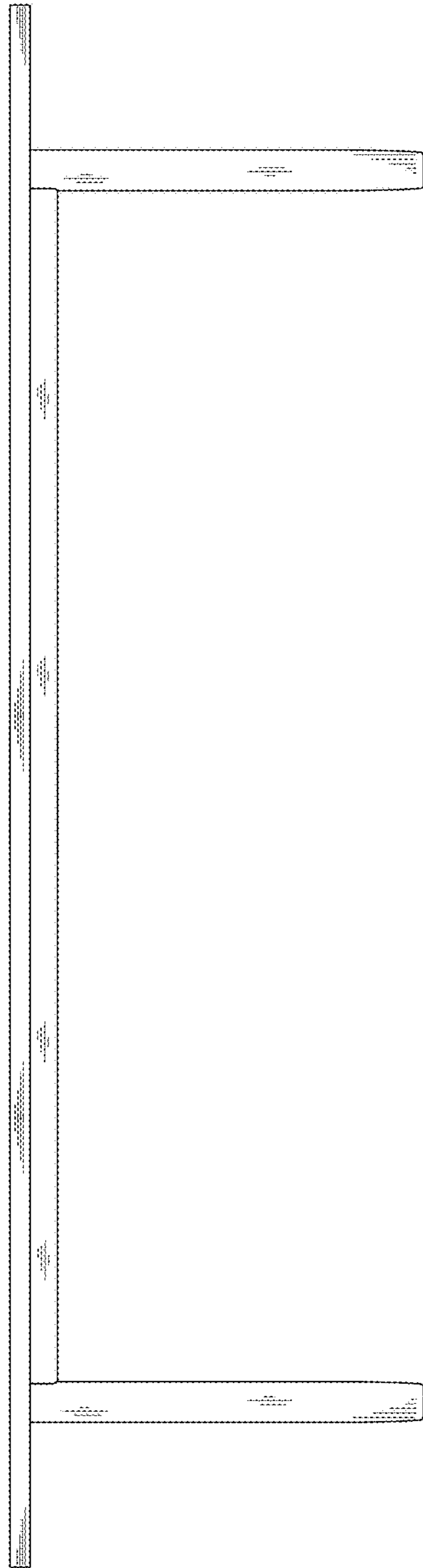


FIG. 2

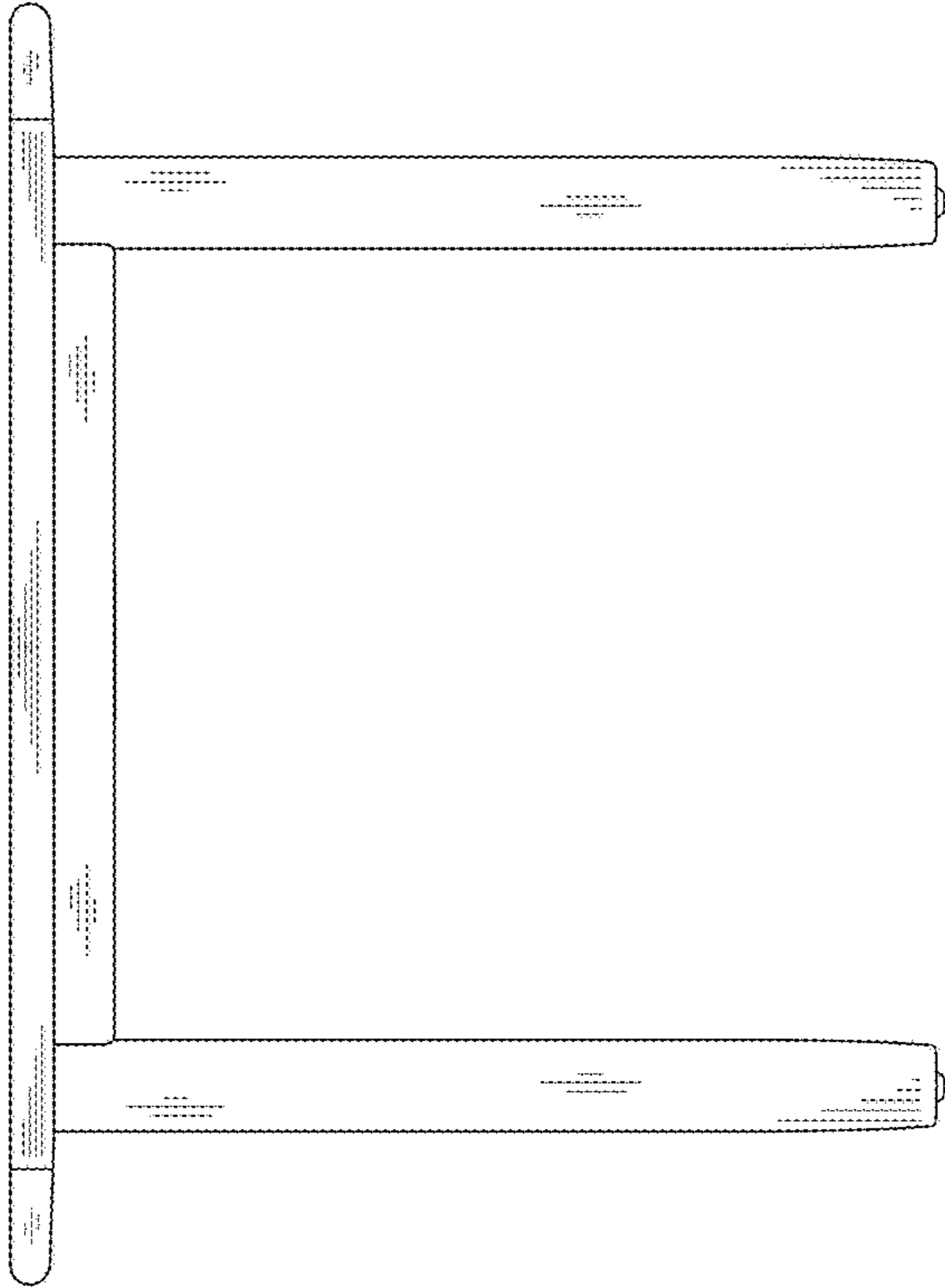


FIG. 3

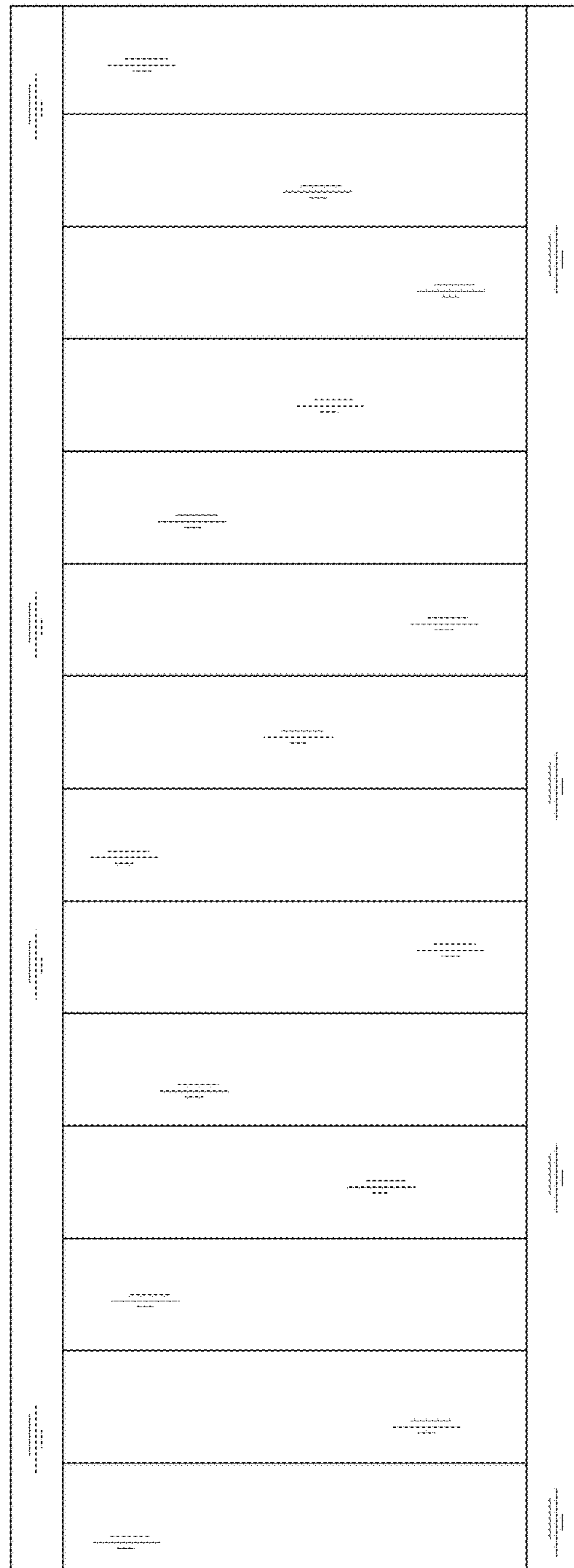


FIG. 4