



US00D853156S

(12) **United States Design Patent** (10) **Patent No.:** **US D853,156 S**
Tsukii (45) **Date of Patent:** **** Jul. 9, 2019**

(54) **DUAL CART MODULAR TABLE**
(71) Applicant: **Toshikazu Tsukii**, Oro Valley, AZ (US)
(72) Inventor: **Toshikazu Tsukii**, Oro Valley, AZ (US)
(**) Term: **15 Years**
(21) Appl. No.: **29/662,951**
(22) Filed: **Sep. 11, 2018**

Related U.S. Application Data

(62) Division of application No. 29/630,056, filed on Dec. 19, 2017, now Pat. No. Des. 832,004.
(51) **LOC (11) Cl.** **06-04**
(52) **U.S. Cl.**
USPC **D6/664**; D34/19
(58) **Field of Classification Search**
USPC D6/642, 664; D3/273-274;
D12/423-424; D34/14, 19, 21
CPC A47B 31/04-31/06; A47B
2031/003-2031/008; A47B 46/00-46/005
See application file for complete search history.

D366,782 S * 2/1996 Bonazza D6/644
D377,277 S * 1/1997 Jacobs D6/642
D381,529 S * 7/1997 Ugalde D6/642
5,941,352 A * 8/1999 Lee A45C 5/14
190/11
D464,211 S * 10/2002 Chan D6/652
D465,102 S * 11/2002 Seiffarth D34/14
D557,927 S * 12/2007 Helm D6/686
D579,231 S * 10/2008 Cheng D6/642
D598,622 S * 8/2009 Wise D34/19
D647,272 S * 10/2011 Boivin D34/19
D661,043 S * 5/2012 Brands D34/19
D679,467 S * 4/2013 Nicholson D34/19
D679,468 S * 4/2013 Nicholson D34/19
9,381,128 B2 * 7/2016 Rozewicz A61G 13/105
D801,735 S * 11/2017 Ursell D6/684
D817,583 S * 5/2018 Reyes D34/19

* cited by examiner

Primary Examiner — Vy N Koenig
(74) *Attorney, Agent, or Firm* — Eugene Vamos

(57) **CLAIM**

The ornamental design for a dual cart modular table, as shown and described.

(56) **References Cited**

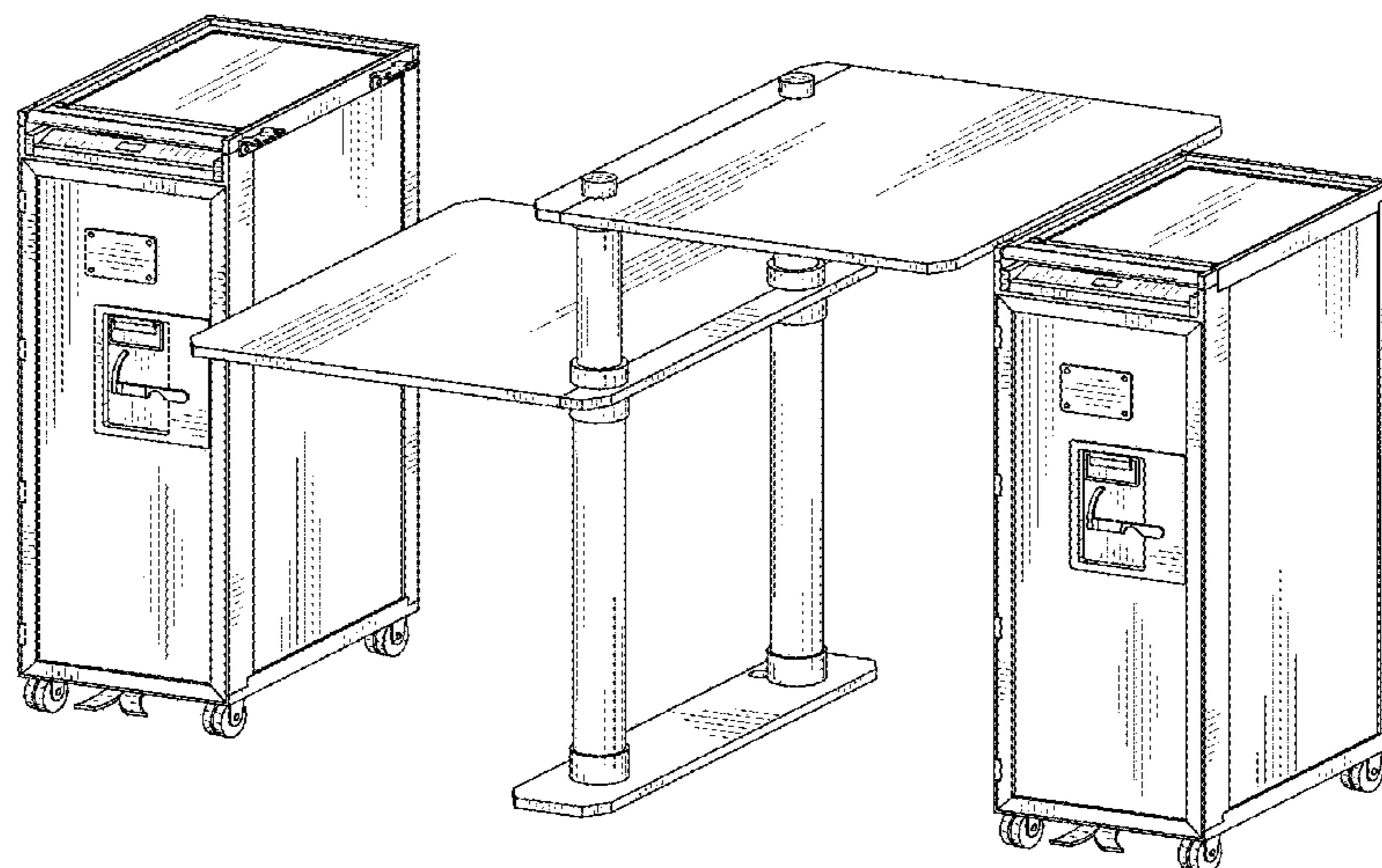
U.S. PATENT DOCUMENTS

D142,262 S * 8/1945 Paden 108/38
D151,287 S * 10/1948 Sanders D6/642
D167,733 S * 9/1952 Anderson D6/642
D167,782 S * 9/1952 Weiss D3/272
D178,285 S * 7/1956 Gaines D6/664
D219,281 S * 11/1970 Geier D6/642
D262,162 S * 12/1981 Lenger, Jr. D6/664
D263,533 S * 3/1982 Ferdinand D6/664
D275,250 S * 8/1984 Kirsner D6/656
D289,471 S * 4/1987 Sottsass D6/332
4,993,782 A * 2/1991 Williams A47B 29/00
312/21
D357,781 S * 4/1995 Crinion D34/17

DESCRIPTION

FIG. 1 is a perspective view of a dual cart modular table, showing my new design;
FIG. 2 is a front elevation view thereof;
FIG. 3 is a back elevation view thereof;
FIG. 4 is a right side elevation view thereof;
FIG. 5 is a left side elevation view thereof;
FIG. 6 is a top plan view thereof; and,
FIG. 7 is a bottom plan view thereof.
The broken lines in the drawings depict environmental structure and form no part of the claimed design.

1 Claim, 6 Drawing Sheets



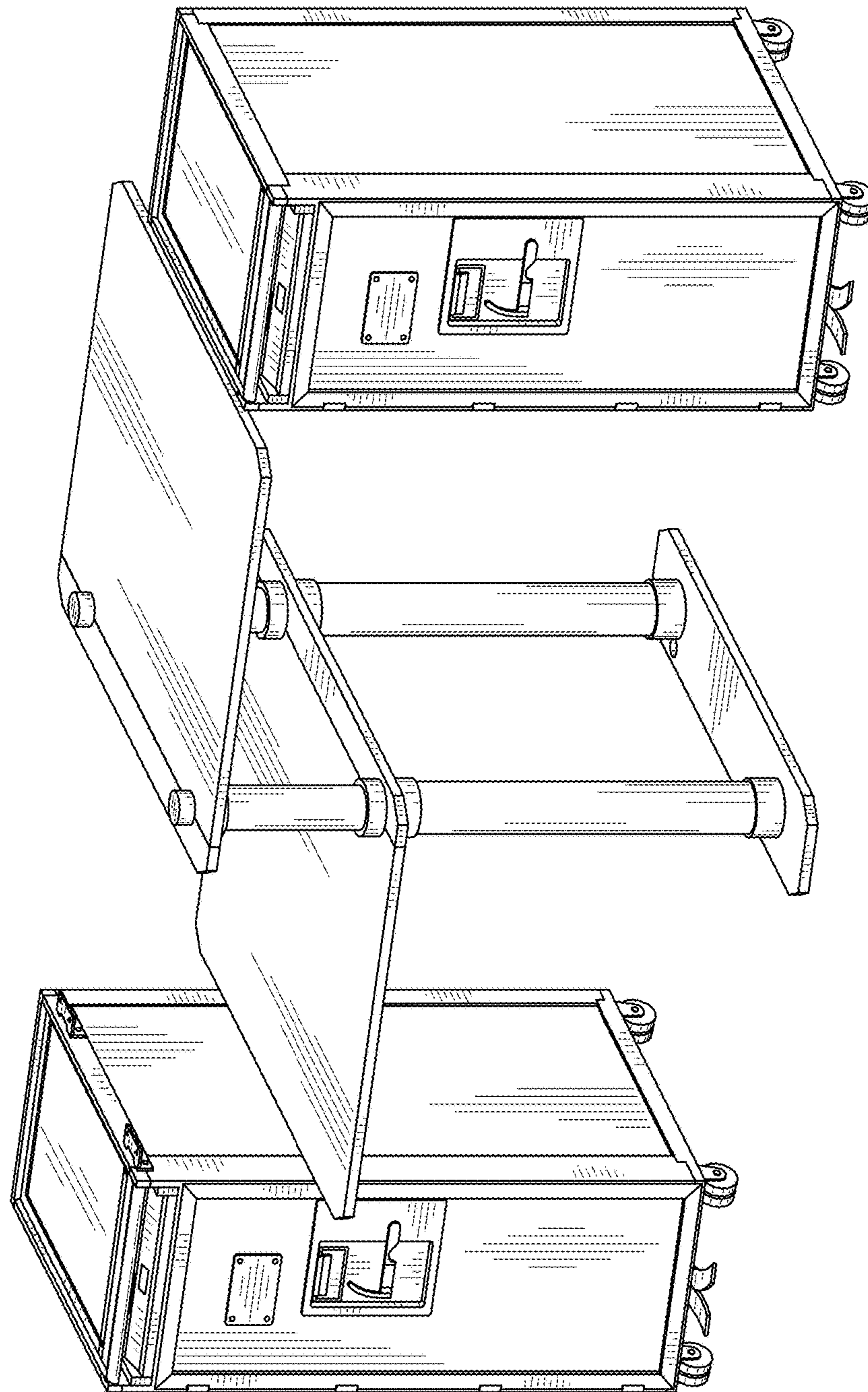


FIG. 1

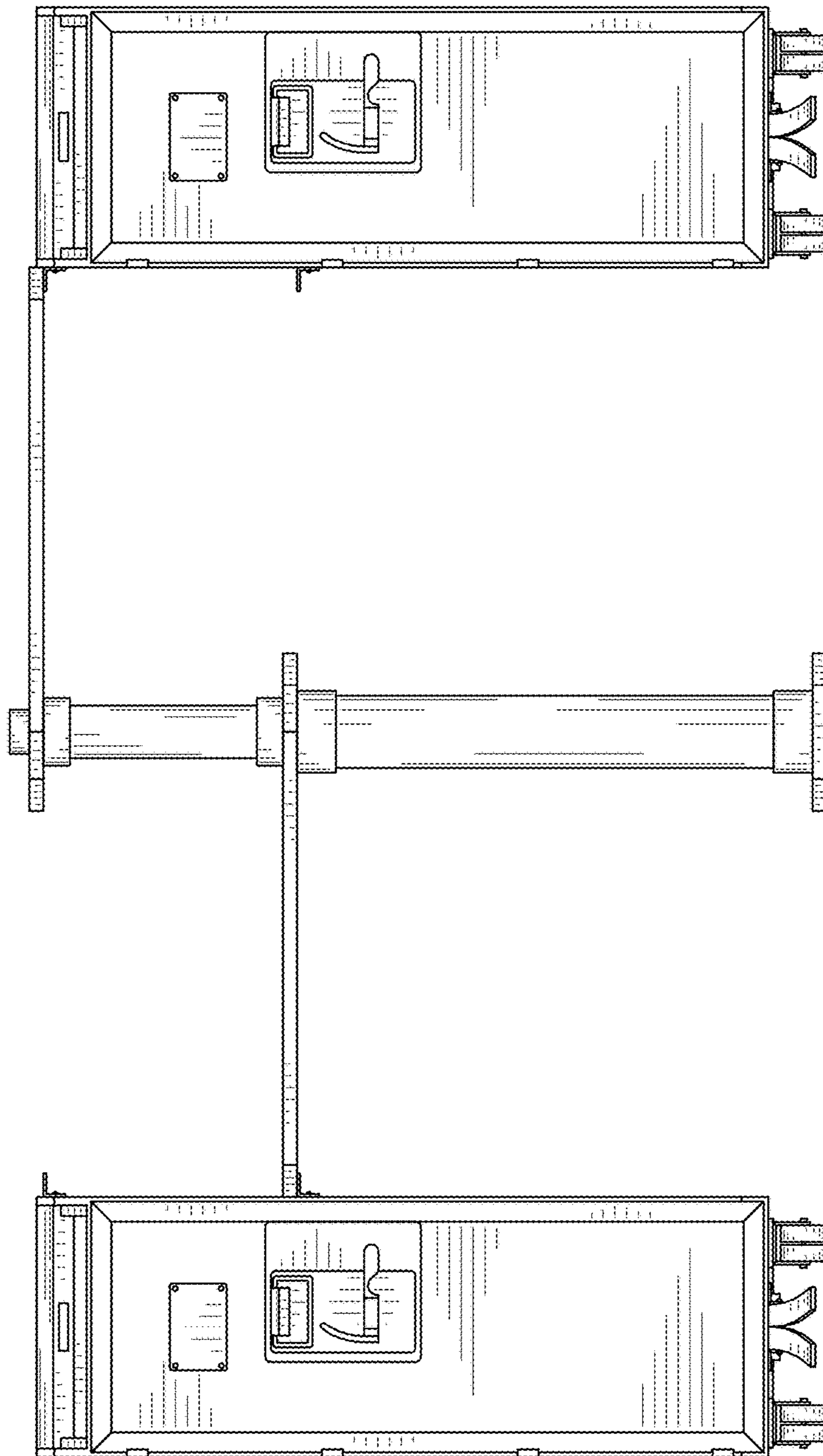


FIG. 2

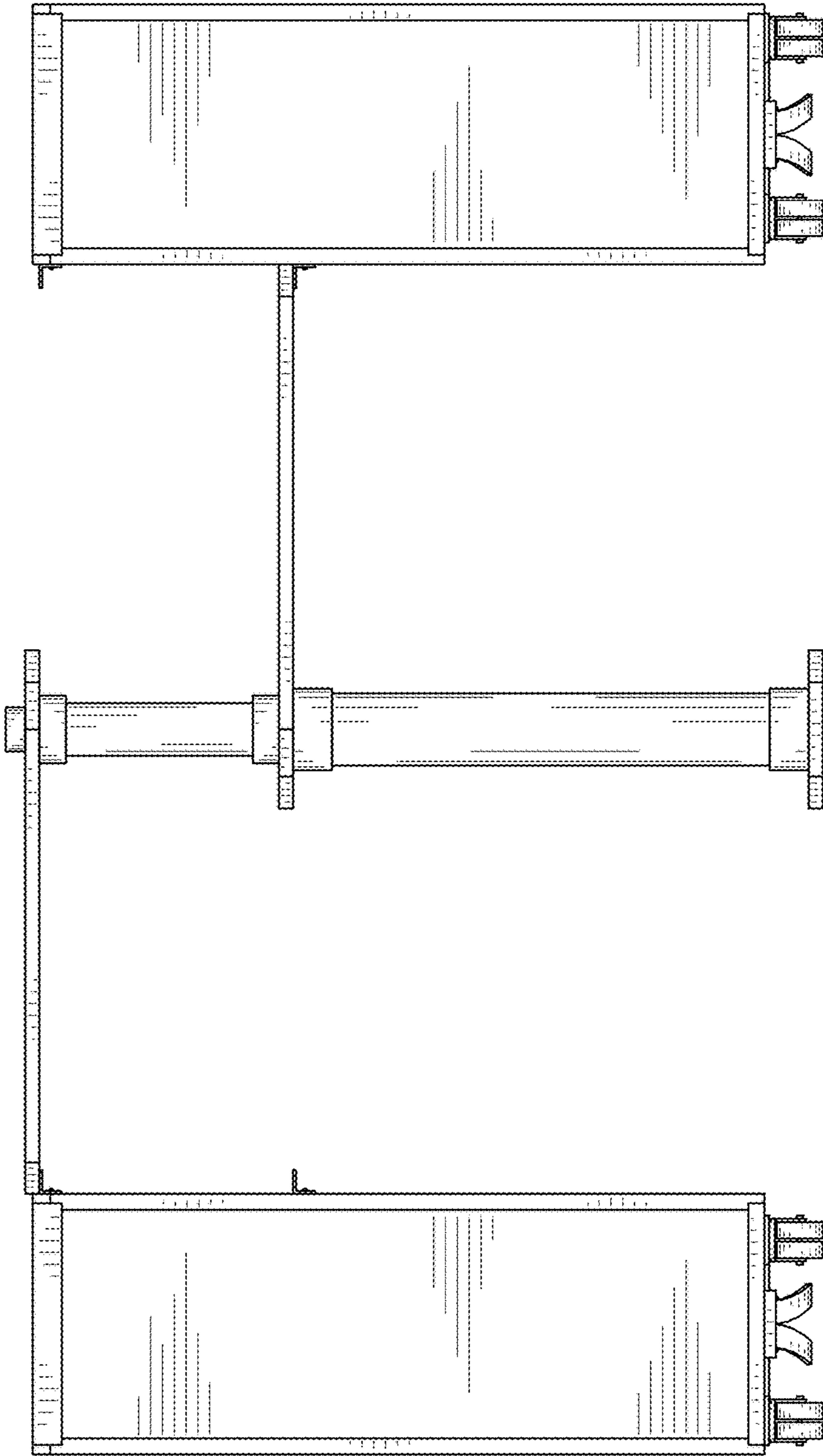


FIG. 3

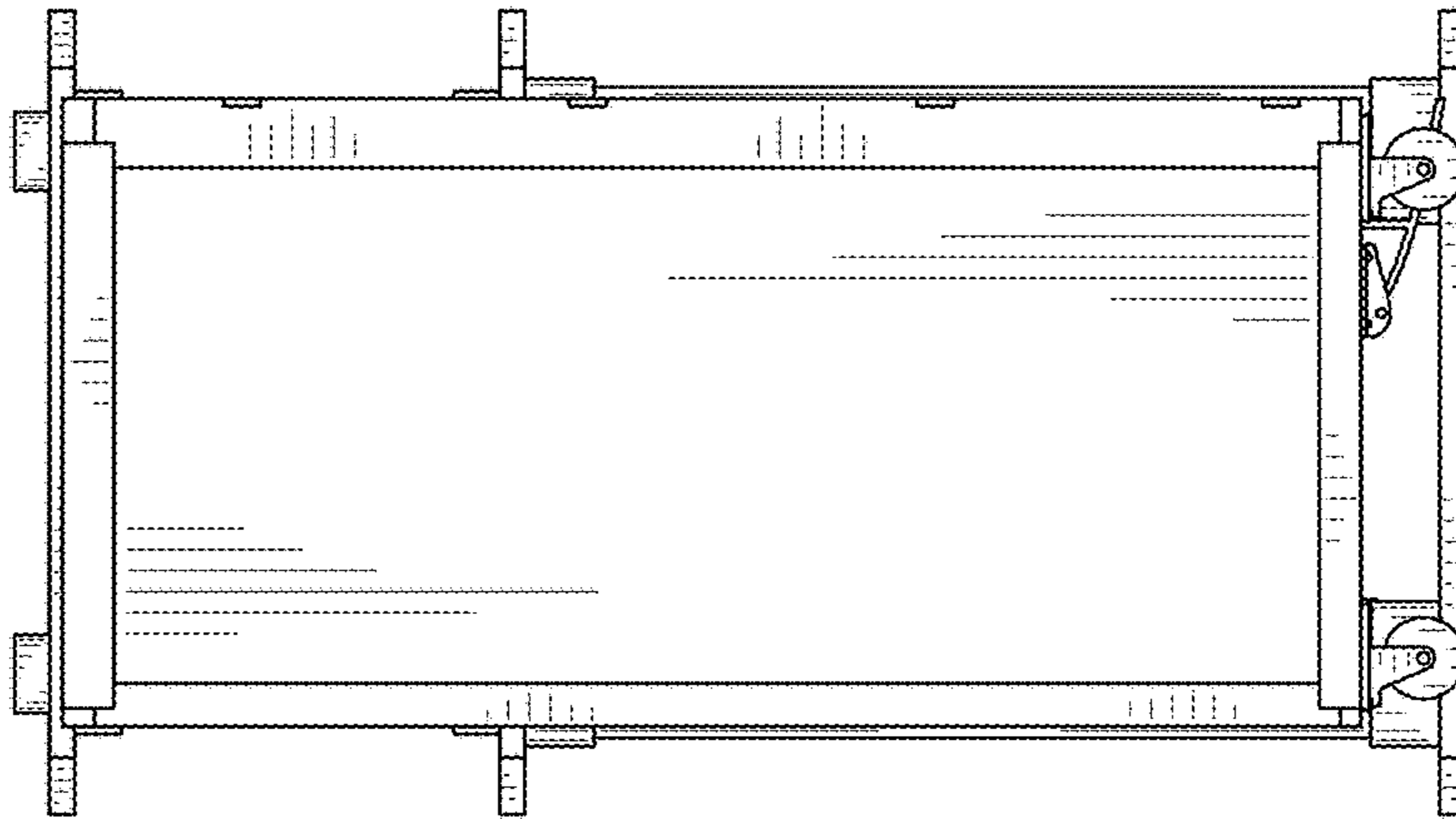


FIG. 5

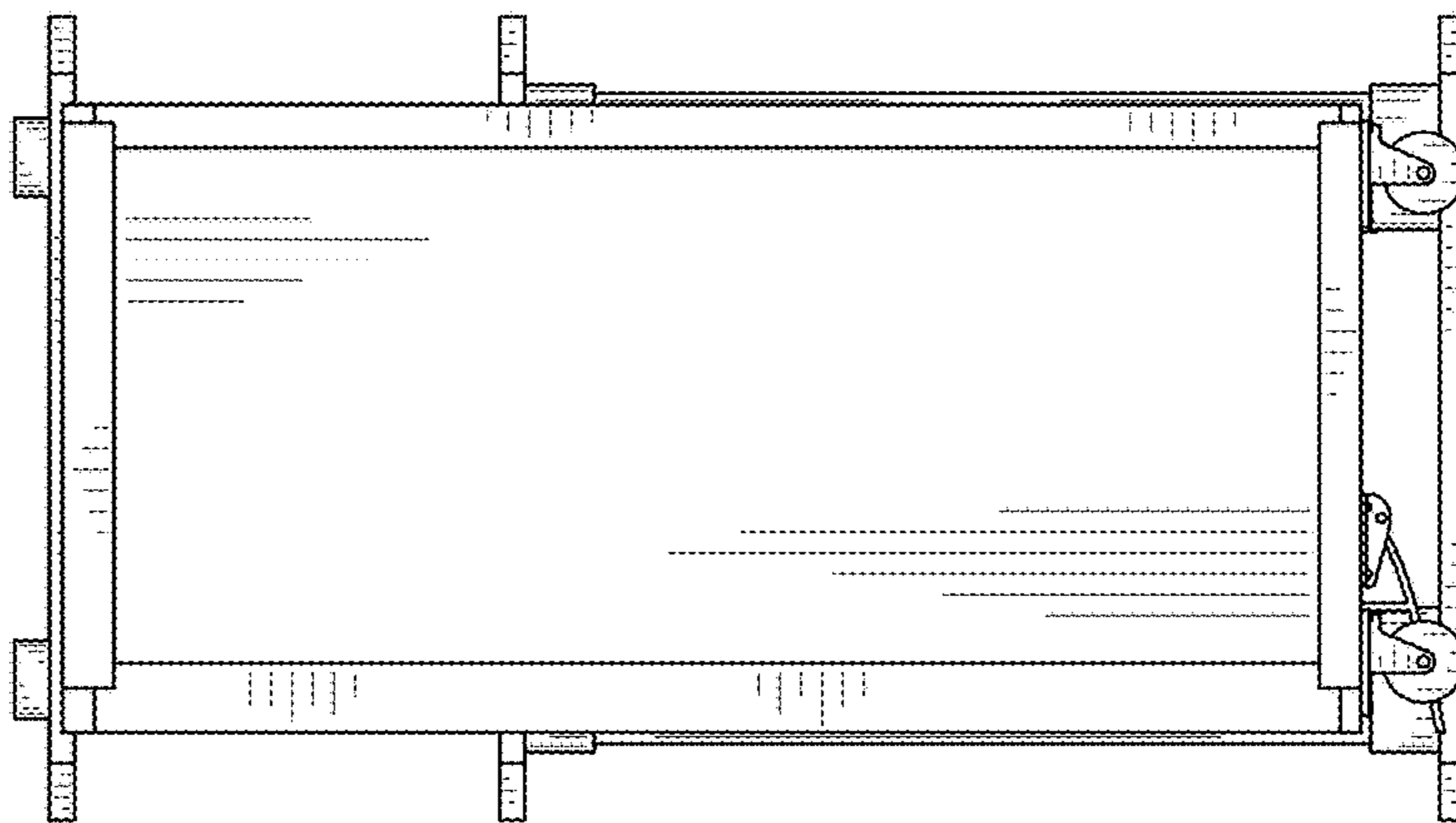


FIG. 4

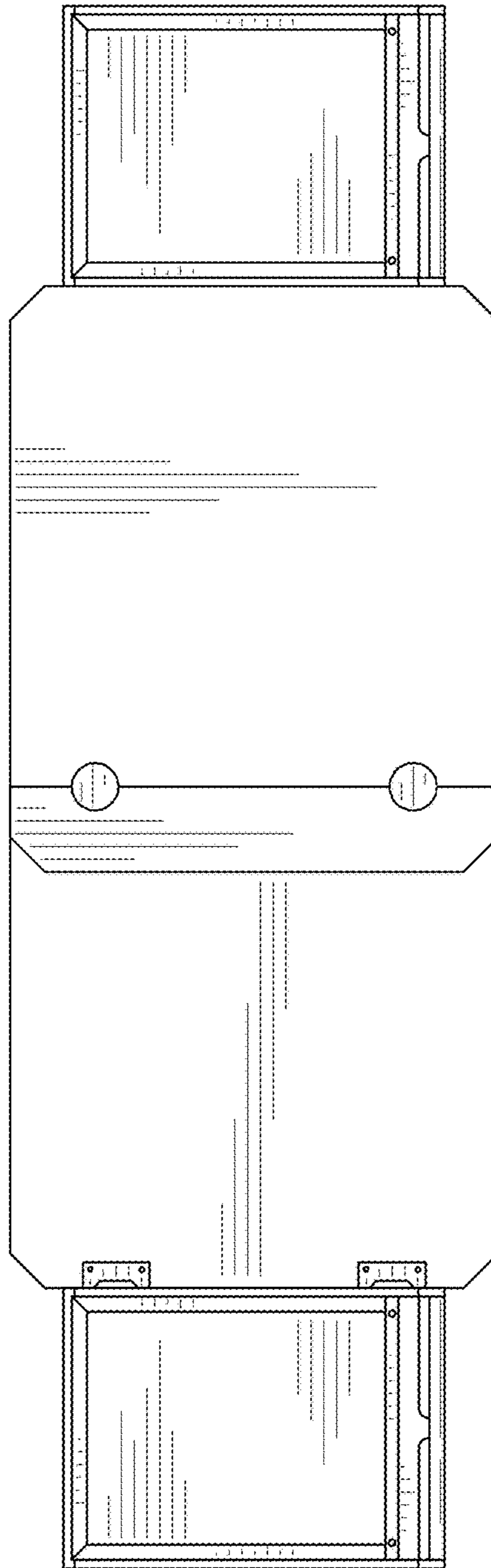


FIG. 6

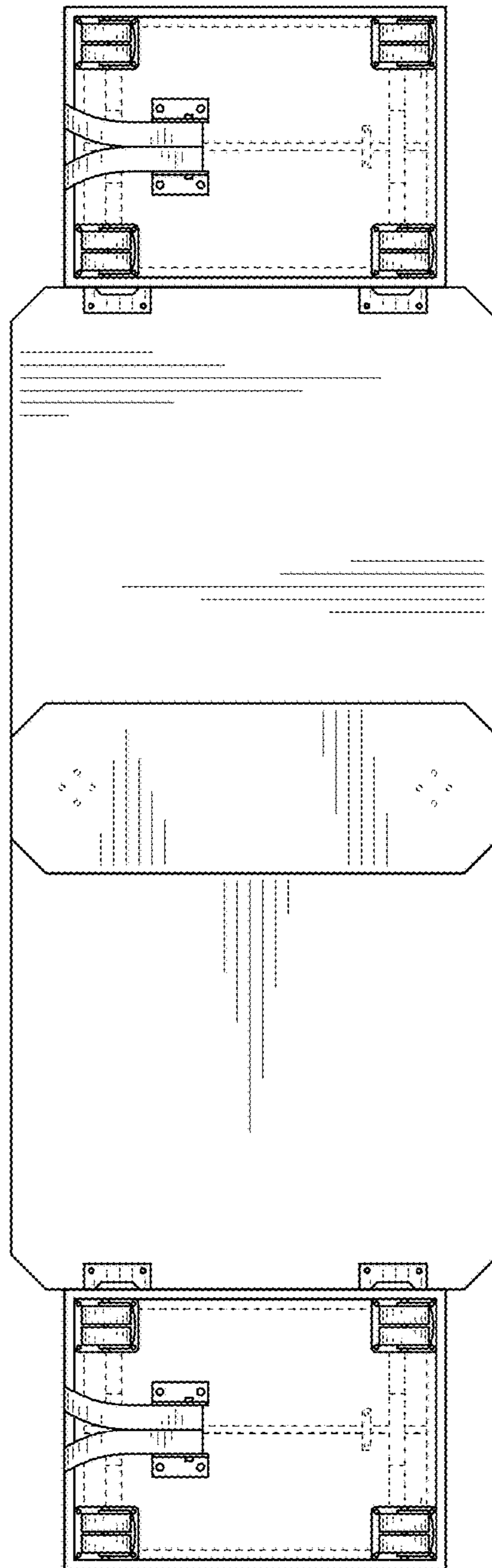


FIG. 7