



US00D853155S

(12) **United States Design Patent**  
**Hajissa et al.**

(10) **Patent No.:** **US D853,155 S**  
(45) **Date of Patent:** **\*\* Jul. 9, 2019**

- (54) **FRAME**
- (71) Applicant: **Rehabilitation Institute of Chicago**, Chicago, IL (US)
- (72) Inventors: **Eyad Hajissa**, Lisle, IL (US); **James Lanphier Patton**, Winnetka, IL (US); **Felix Charles Huang**, Chicago, IL (US)
- (73) Assignee: **Rehabilitation Institute of Chicago**, Chicago, IL (US)
- (\*\*) Term: **15 Years**
- (21) Appl. No.: **29/624,659**
- (22) Filed: **Nov. 2, 2017**
- (51) **LOC (11) Cl.** ..... **06-03**
- (52) **U.S. Cl.**  
USPC ..... **D6/654.17**
- (58) **Field of Classification Search**  
USPC ..... D6/652, 654, 654.1, 654.17, 655, 655.1, D6/655.11, 655.13, 655.14, 655.18, 656, D6/656.12, 656.13, 656.15, 656.16, D6/656.17, 656.19, 675, 686, 687, 688, D6/691, 698, 707.19, 708.21  
CPC .. A47B 3/00; A47B 3/08; A47B 3/083; A47B 3/087; A47B 21/00; A47B 21/02; A47B 21/03; A47B 21/06; A47B 21/0073; A47B 21/0076; A47B 21/0314  
See application file for complete search history.

- (56) **References Cited**  
U.S. PATENT DOCUMENTS  
5,311,880 A \* 5/1994 Lancaster ..... A61B 5/1036 135/67  
5,603,677 A \* 2/1997 Sollo ..... A61H 1/0229 135/67  
D554,916 S \* 11/2007 Schultz ..... D6/716

- 9,398,995 B2 \* 7/2016 Tekulve ..... A63B 69/0064
- 2004/0002407 A1 \* 1/2004 Hawkes ..... A61H 3/008 482/69
- 2004/0177441 A1 \* 9/2004 Ronne ..... A61G 7/1017 5/86.1
- 2006/0009332 A1 \* 1/2006 Jones ..... A61H 1/0255 482/54
- 2008/0216232 A1 \* 9/2008 White ..... A61G 7/1015 5/87.1
- 2008/0227609 A1 \* 9/2008 Barniak ..... A63B 3/00 482/142
- 2009/0249544 A1 \* 10/2009 Palay ..... A61G 5/14 5/83.1

(Continued)

**OTHER PUBLICATIONS**

Prototype. Rehabilitation Institute of Chicago. First viewable Sep. 2012.

(Continued)

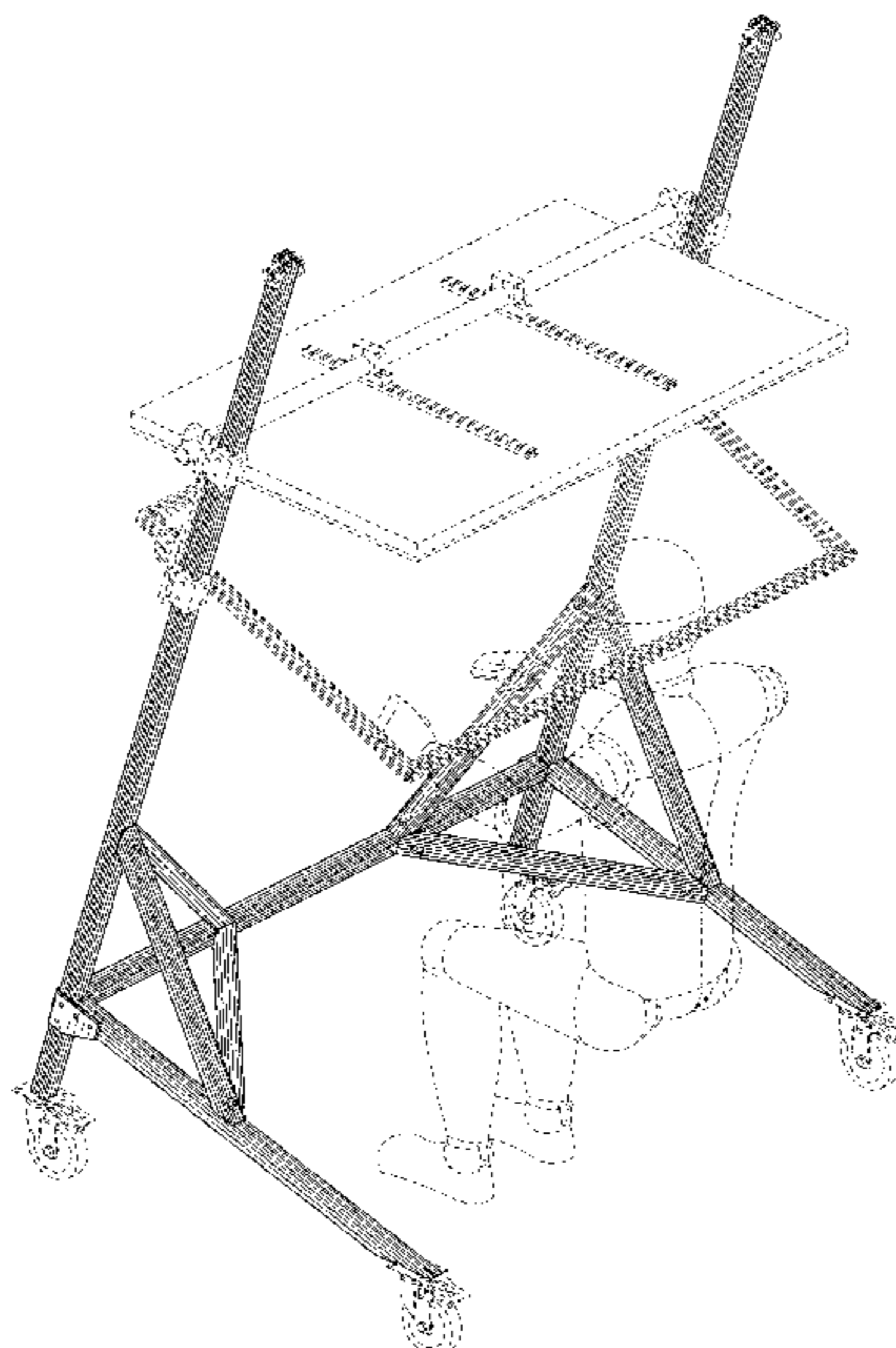
*Primary Examiner* — Mary Ann Calabrese  
*Assistant Examiner* — Catherine Ho  
(74) *Attorney, Agent, or Firm* — McAndrews, Held & Malloy, Ltd.

(57) **CLAIM**  
The ornamental design for a frame, as shown and described.

**DESCRIPTION**

FIG. 1 is a left-frontal perspective view of a frame, showing our new design;  
FIG. 2 is a front elevation view thereof;  
FIG. 3 is a rear elevation view thereof;  
FIG. 4 is a right-side elevation view thereof;  
FIG. 5 is a left-side elevation view thereof;  
FIG. 6 is a top plan view thereof; and,  
FIG. 7 is a bottom plan view thereof.  
The dashed broken lines in the figures depict portions of the frame that form no part of the claimed design.

**1 Claim, 7 Drawing Sheets**



(56)

**References Cited**

U.S. PATENT DOCUMENTS

2010/0318005 A1\* 12/2010 Amonette ..... A61H 3/008  
601/23  
2013/0178767 A1\* 7/2013 Dreske ..... A61H 3/008  
601/23  
2013/0318708 A1\* 12/2013 Wang ..... A61G 7/1003  
5/87.1

OTHER PUBLICATIONS

Prototype. Rehabilitation Institute of Chicago. First viewable Jan. 2016.

Ivy. SenseGraphics (Jan. 2010).

\* cited by examiner

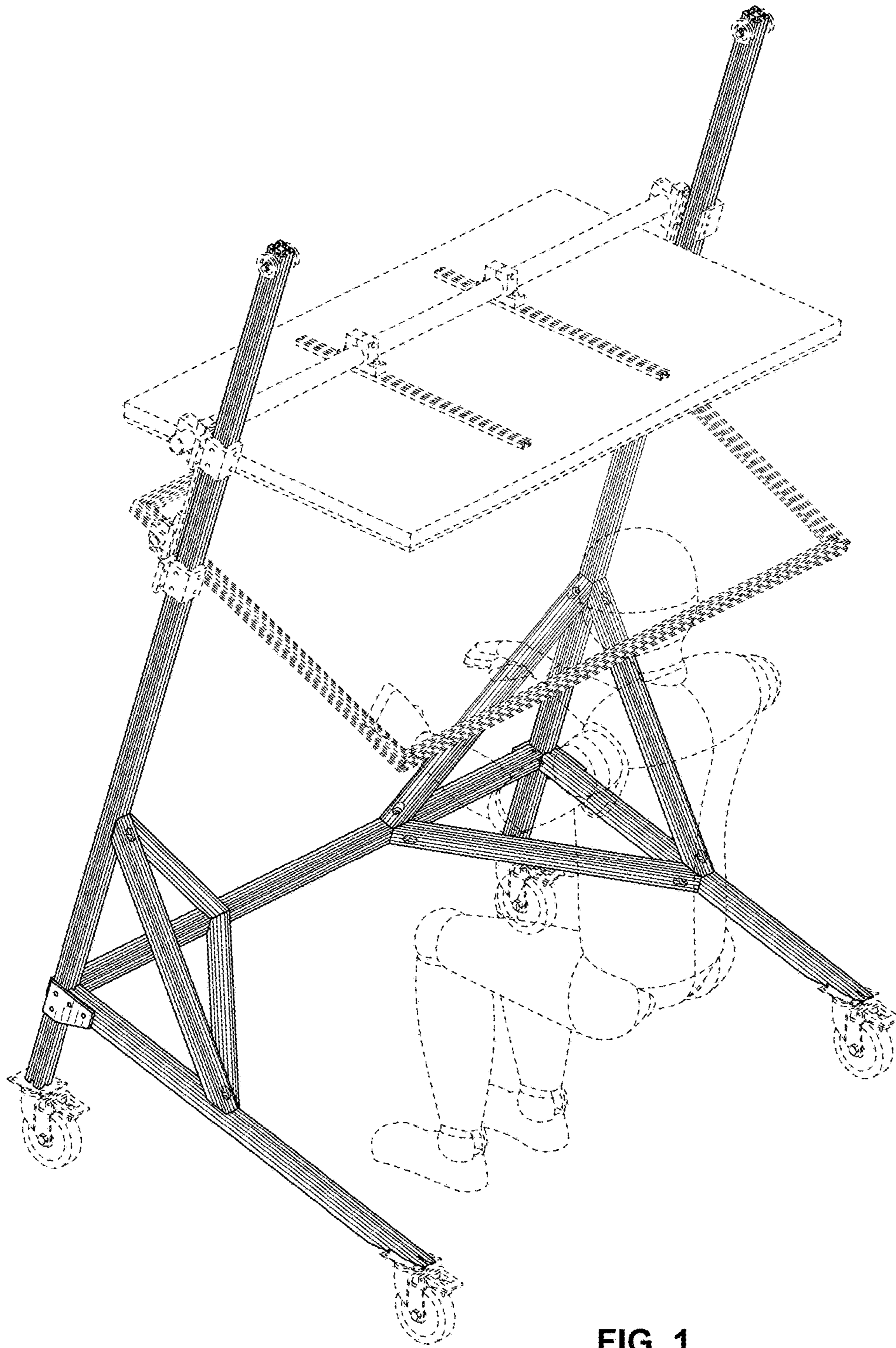


FIG. 1



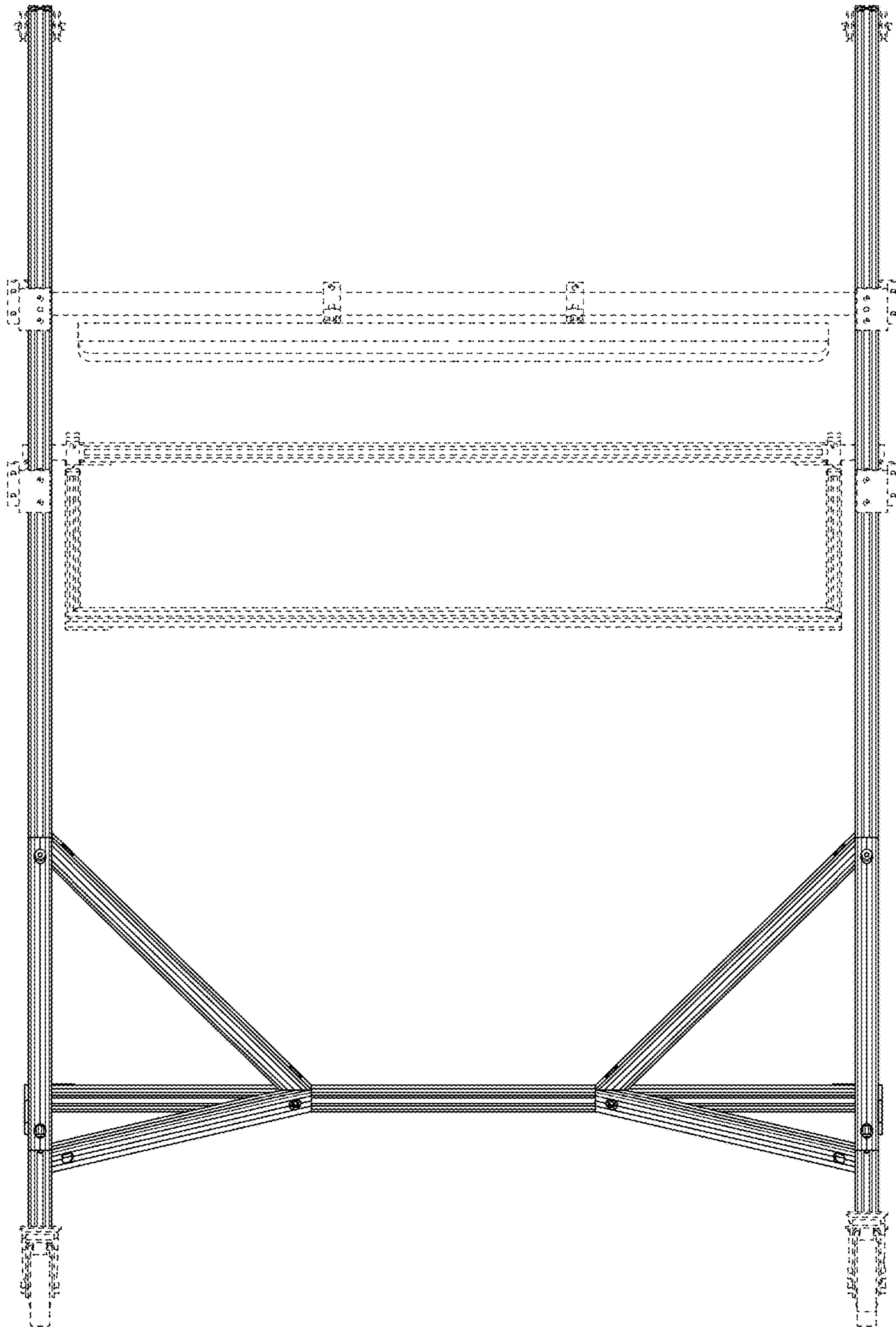


FIG. 2

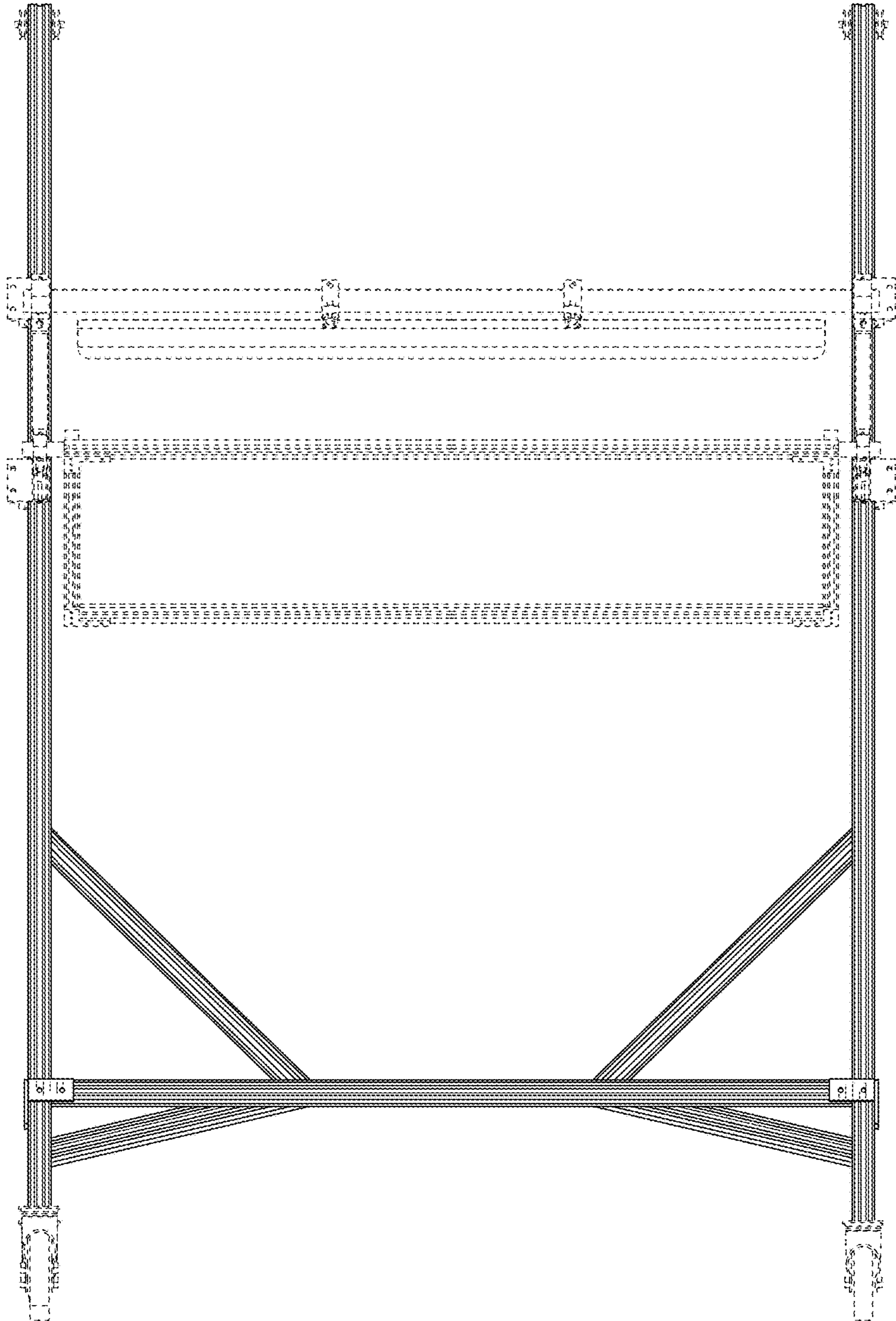


FIG. 3

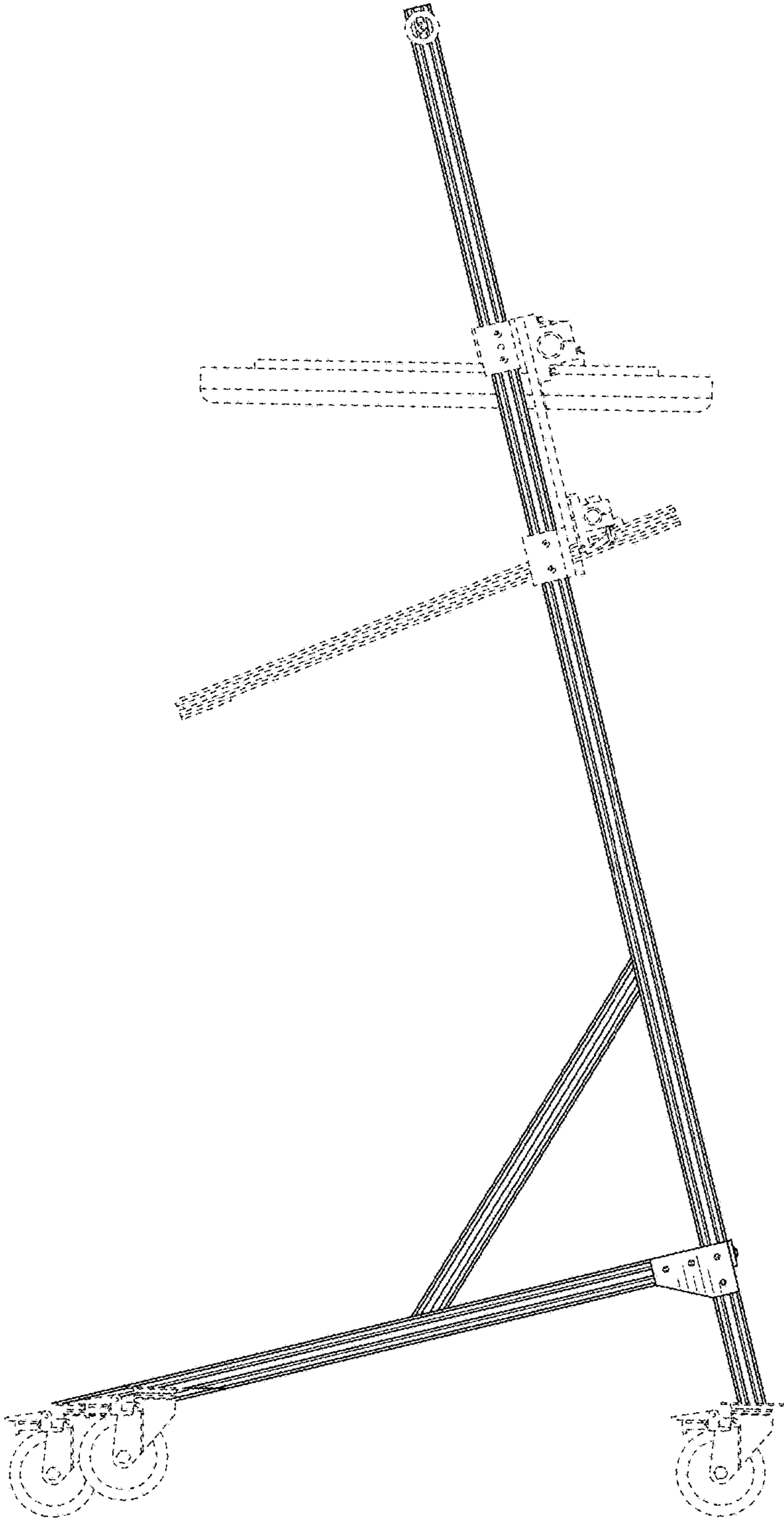


FIG. 4

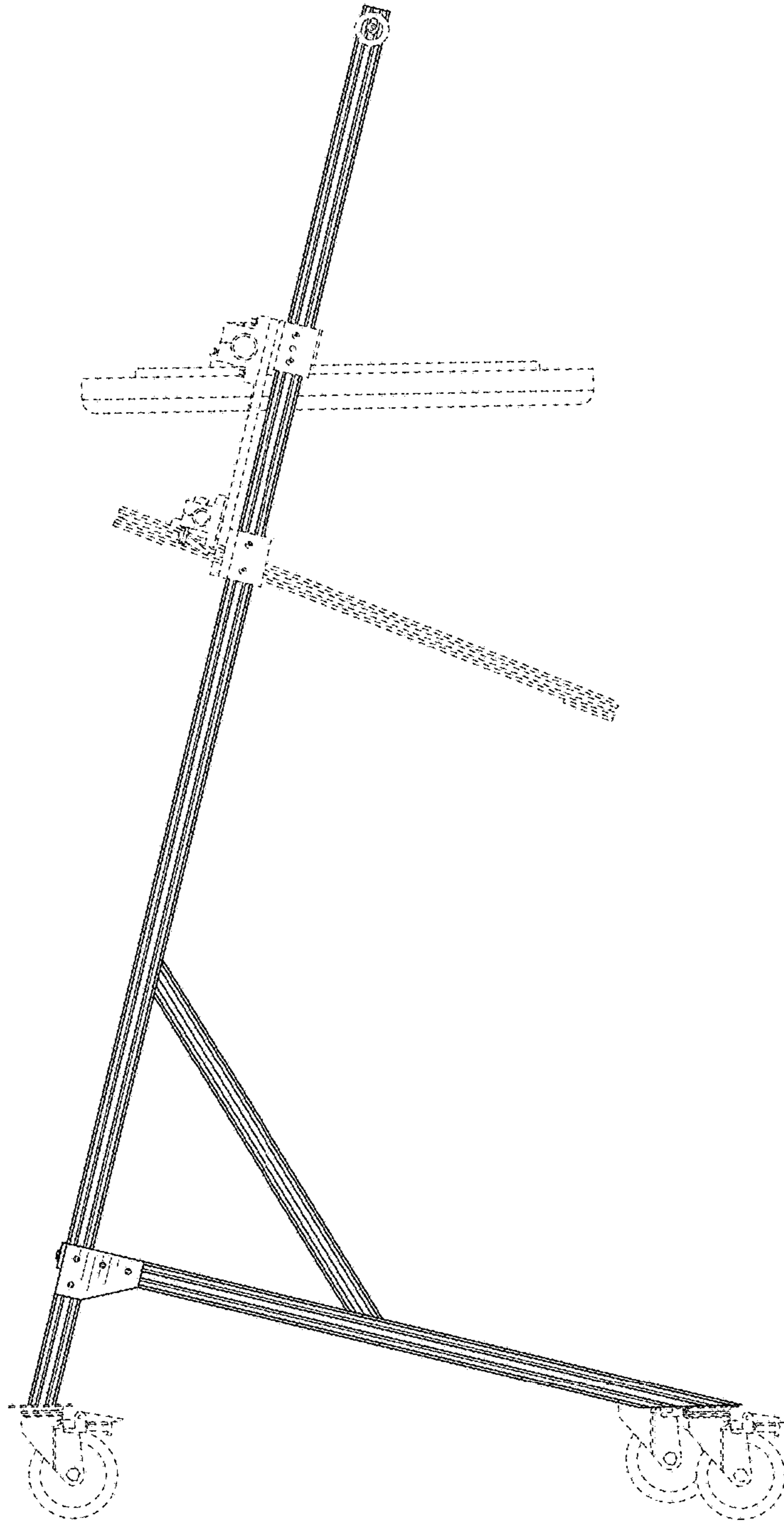


FIG. 5



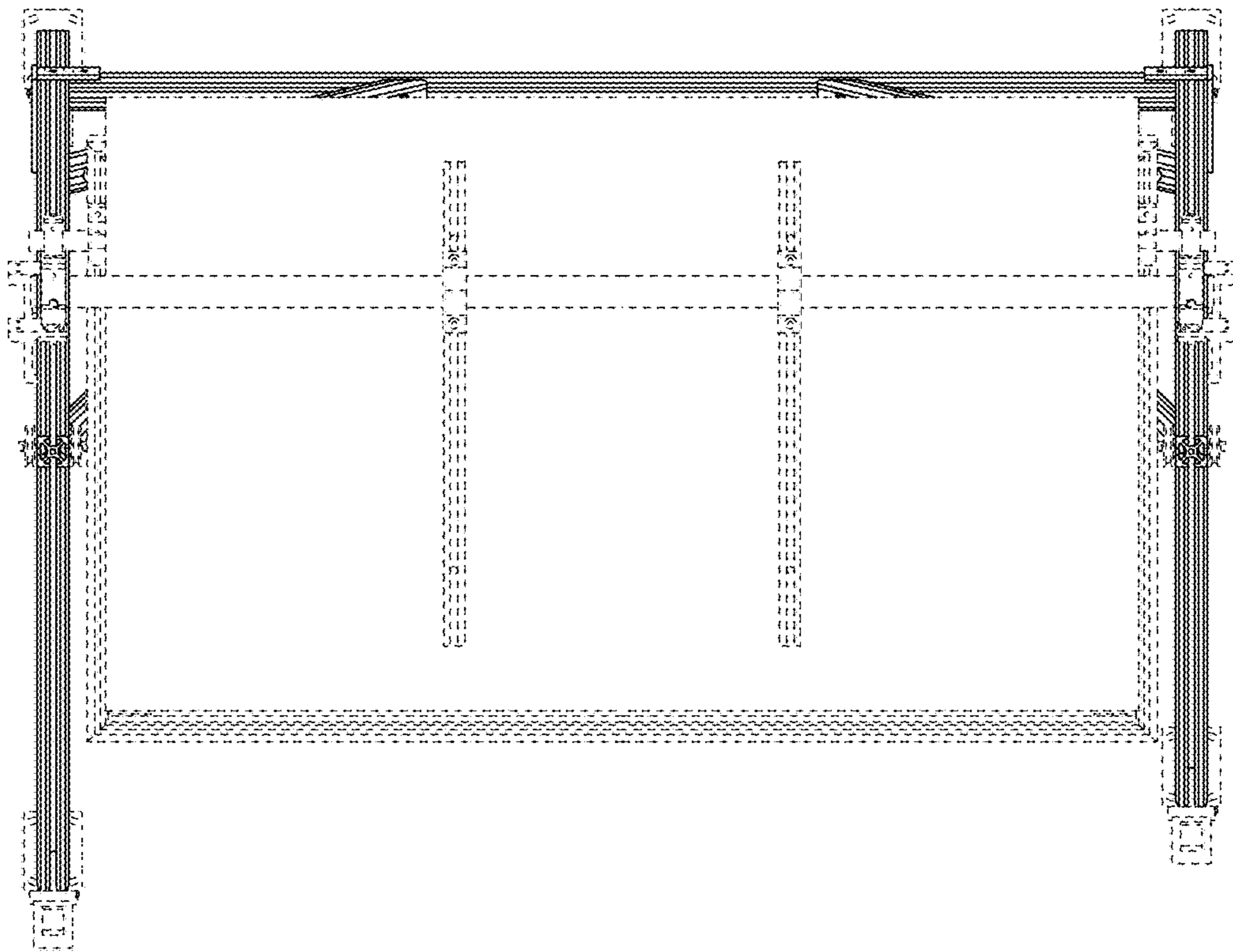


FIG. 6



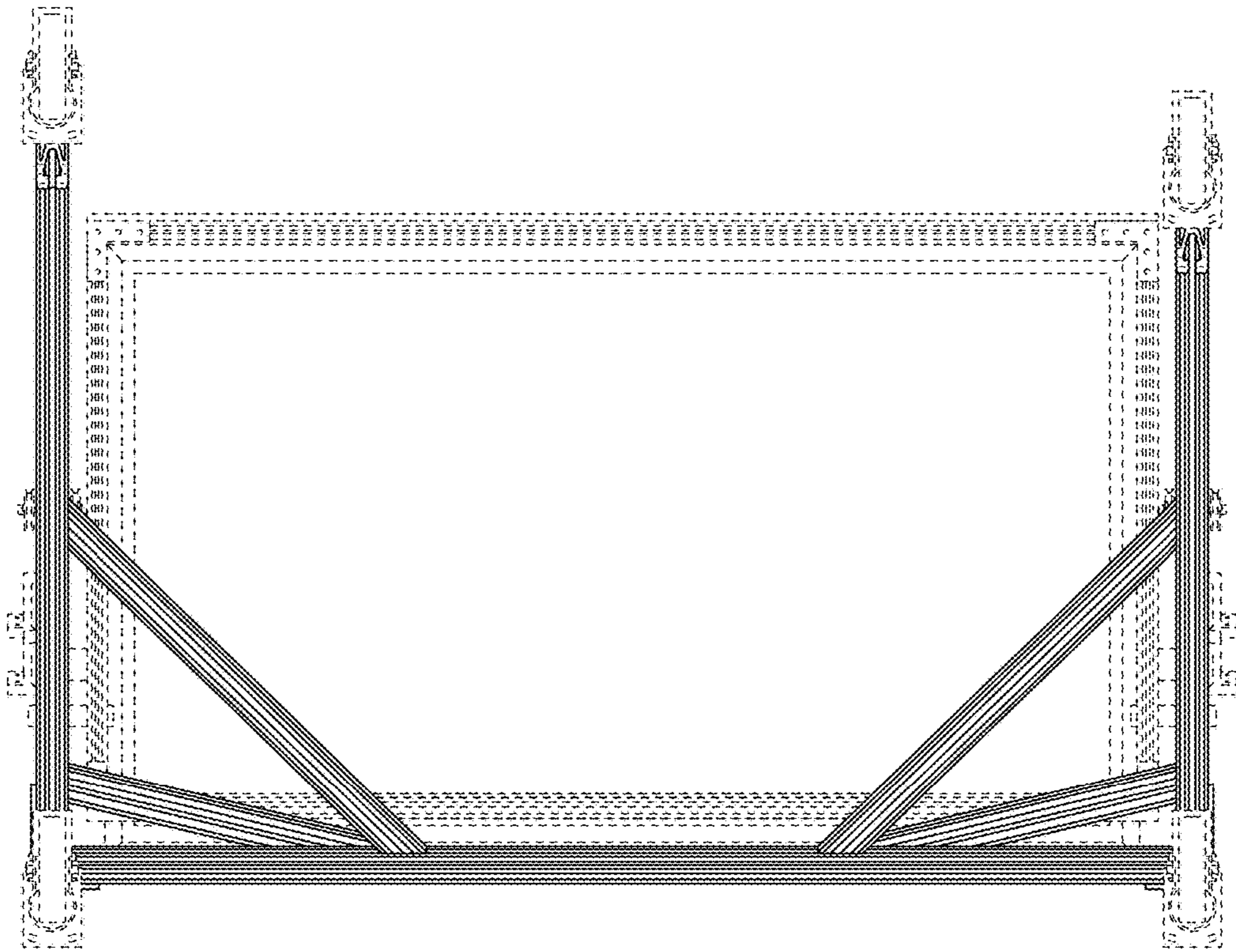


FIG. 7