



US00D853154S

(12) **United States Design Patent**
Vorob'Jov

(10) **Patent No.:** **US D853,154 S**

(45) **Date of Patent:** **** Jul. 9, 2019**

- (54) **COMPUTER DESK**
- (71) Applicant: **GENERIK KOMFORT LTD,**
Voronezh (RU)
- (72) Inventor: **Aleksej Aleksandrovich Vorob'Jov,**
Voronezh (RU)
- (**) Term: **15 Years**
- (21) Appl. No.: **29/621,051**
- (22) Filed: **Oct. 4, 2017**
- (30) **Foreign Application Priority Data**
Apr. 13, 2017 (RU) 2017501719
- (51) **LOC (11) Cl.** **06-03**
- (52) **U.S. Cl.**
USPC **D6/641**
- (58) **Field of Classification Search**
USPC D6/640, 641, 642, 643, 643.1, 644, 648,
D6/648.1, 648.3, 648.4, 649, 650, 651,
D6/652, 655, 655.1, 655.11, 656, 668,
D6/685, 688.11, 688.21, 688.27, 690,
D6/695, 698, 696.1, 700, 709.22
CPC A47B 9/00; A47B 9/04; A47B 9/06; A47B
3/08; A47B 21/00; A47B 21/02; A47B
21/06; A47B 21/007; A47B 21/0314;
A47B 2009/185; A47B 2200/0013; A47B
2200/0026; A47B 2200/0085; A47B
2200/0087
See application file for complete search history.

D208,256 S *	8/1967	Rich	108/60
3,433,183 A *	3/1969	Saltz	A47B 13/02
				108/12
D285,394 S *	9/1986	Curran	D6/655.1
D305,706 S *	1/1990	Mark	D6/643.1
D332,188 S *	1/1993	Brodbeck	D6/643.1
D402,484 S *	12/1998	Sandy	D6/643.1
D499,576 S *	12/2004	Long	D6/653.17
D661,518 S *	6/2012	Shi	D6/690
2002/0020329 A1 *	2/2002	Kowalski	A47B 21/00
				108/50.01

- (56) **References Cited**
U.S. PATENT DOCUMENTS
D54,117 S * 11/1919 Palmquist D6/349
D118,817 S * 2/1940 Gill 312/140.1
D150,365 S * 7/1948 Johnson 108/93
D189,246 S * 11/1960 Beck D6/690

OTHER PUBLICATIONS

Desk, posted at Generic-comfort.com, posted on Jun. 27, 2017, site visited Feb. 14, 2019. online, available from internet: <https://web.archive.org/web/20170627060357/http://generic-comfort.com/shop/> (Year: 2017).*

* cited by examiner

Primary Examiner — Mary Ann Calabrese
Assistant Examiner — Catherine Ho
(74) *Attorney, Agent, or Firm* — Nadya Reingand; Yan Hankin

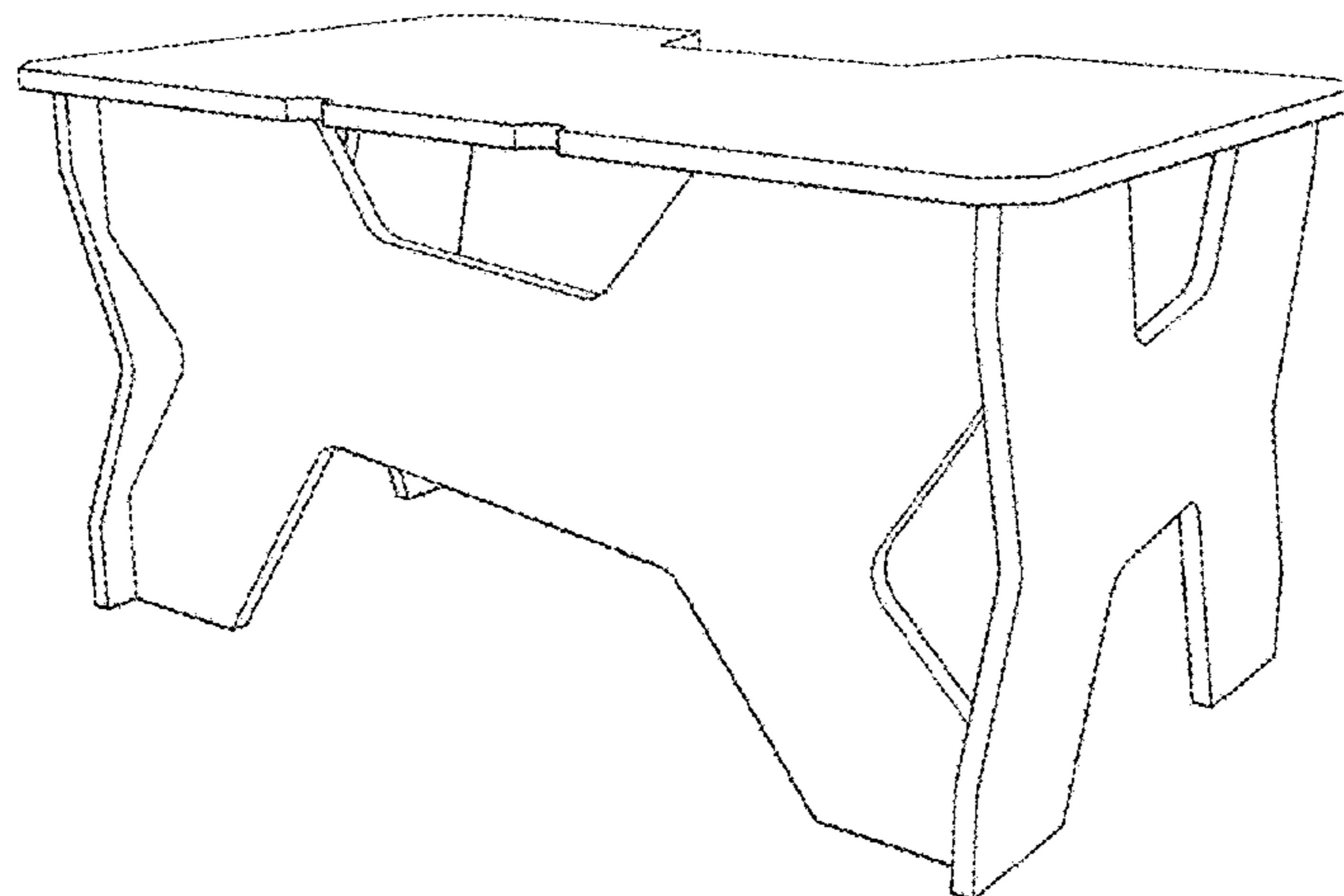
(57) **CLAIM**

The ornamental design for a computer desk, as shown and described.

DESCRIPTION

FIG. 1 is a front view of a computer desk, showing our new design;
FIG. 2 is a back view thereof;
FIG. 3 is a left side view thereof;
FIG. 4 is a right side view thereof;
FIG. 5 is a top view thereof;
FIG. 6 is a bottom view thereof;
FIG. 7 is a front perspective view thereof; and,
FIG. 8 is a back perspective view thereof.

1 Claim, 6 Drawing Sheets



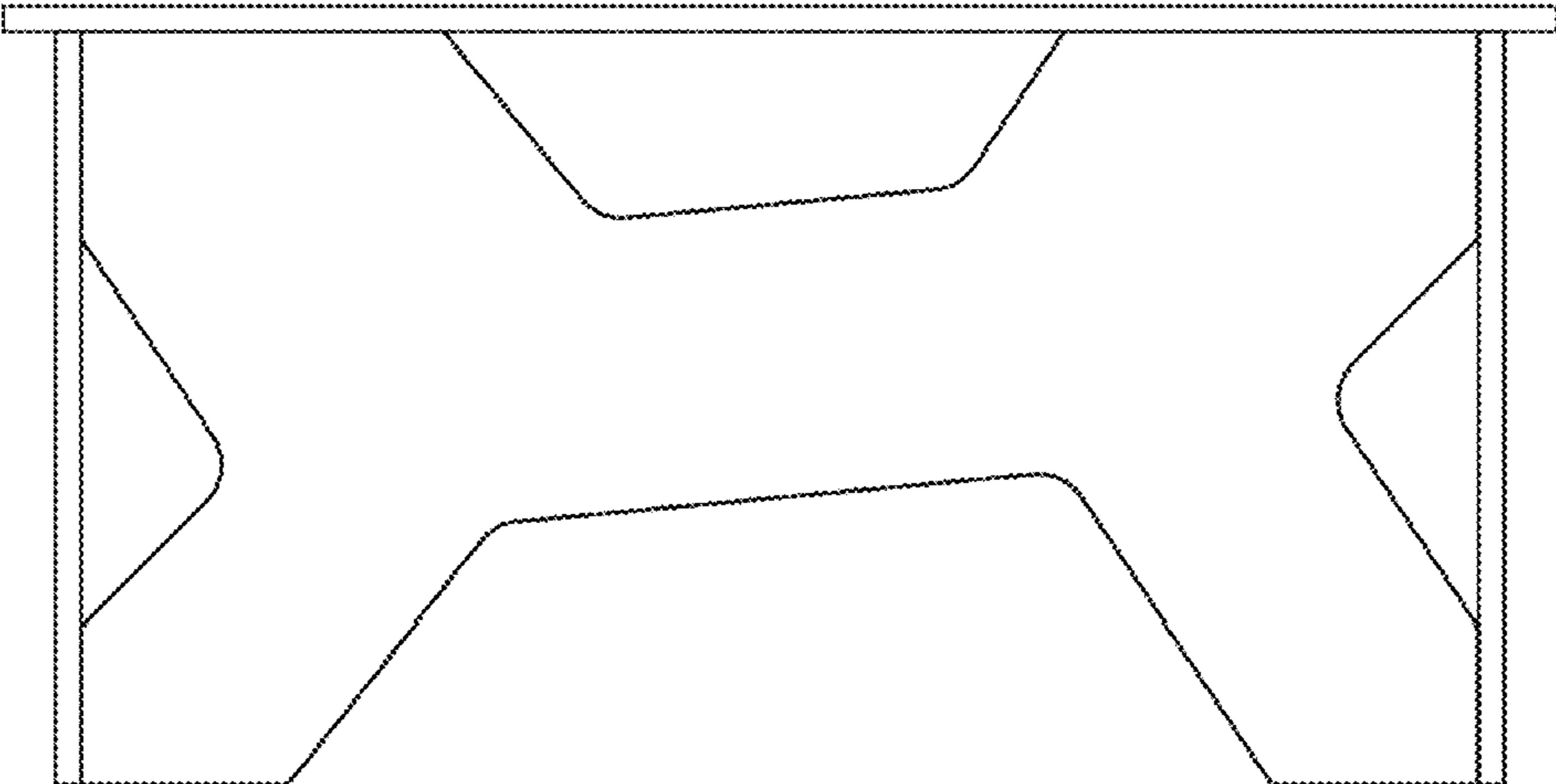


FIG. 1

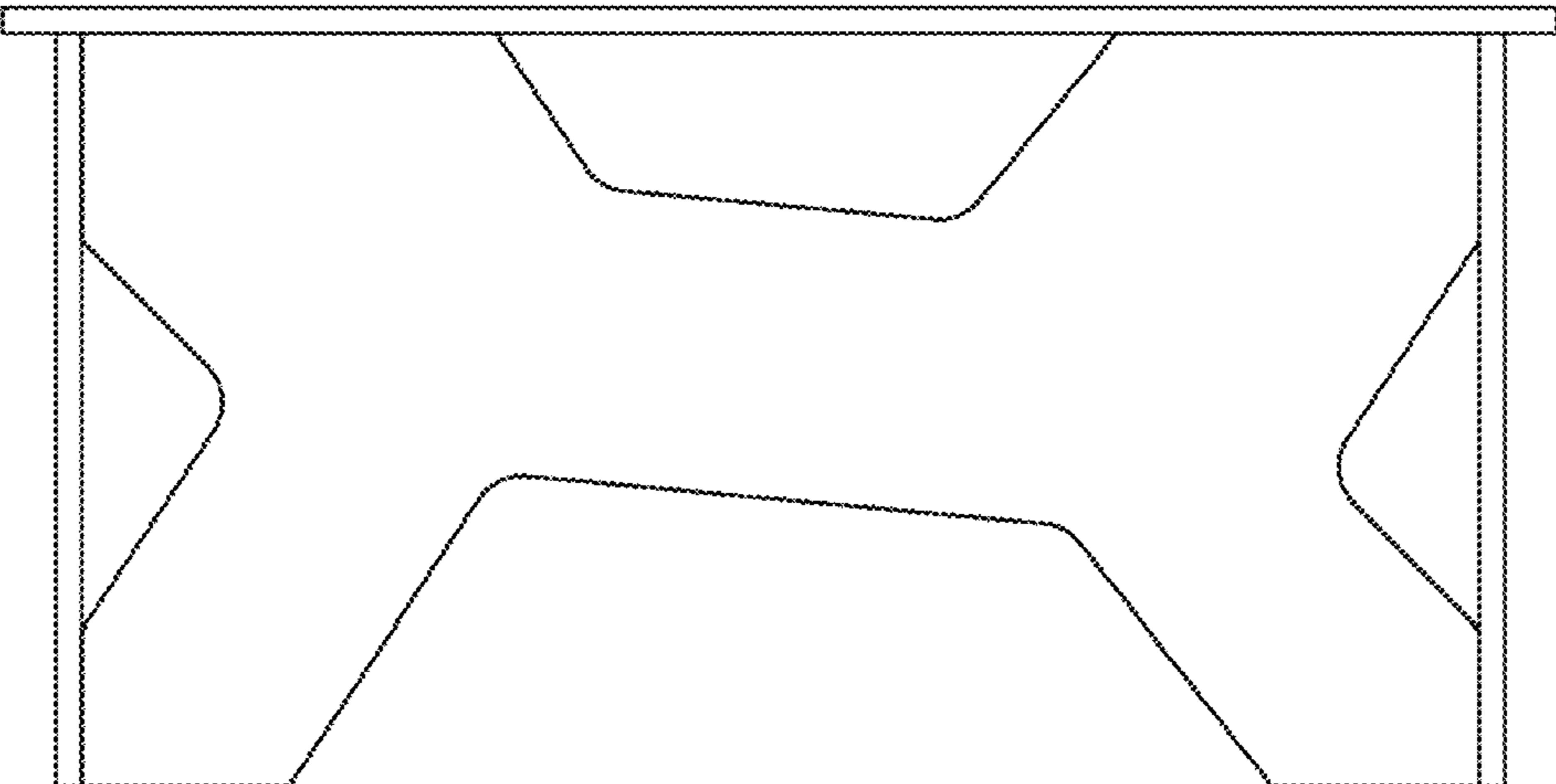


FIG. 2

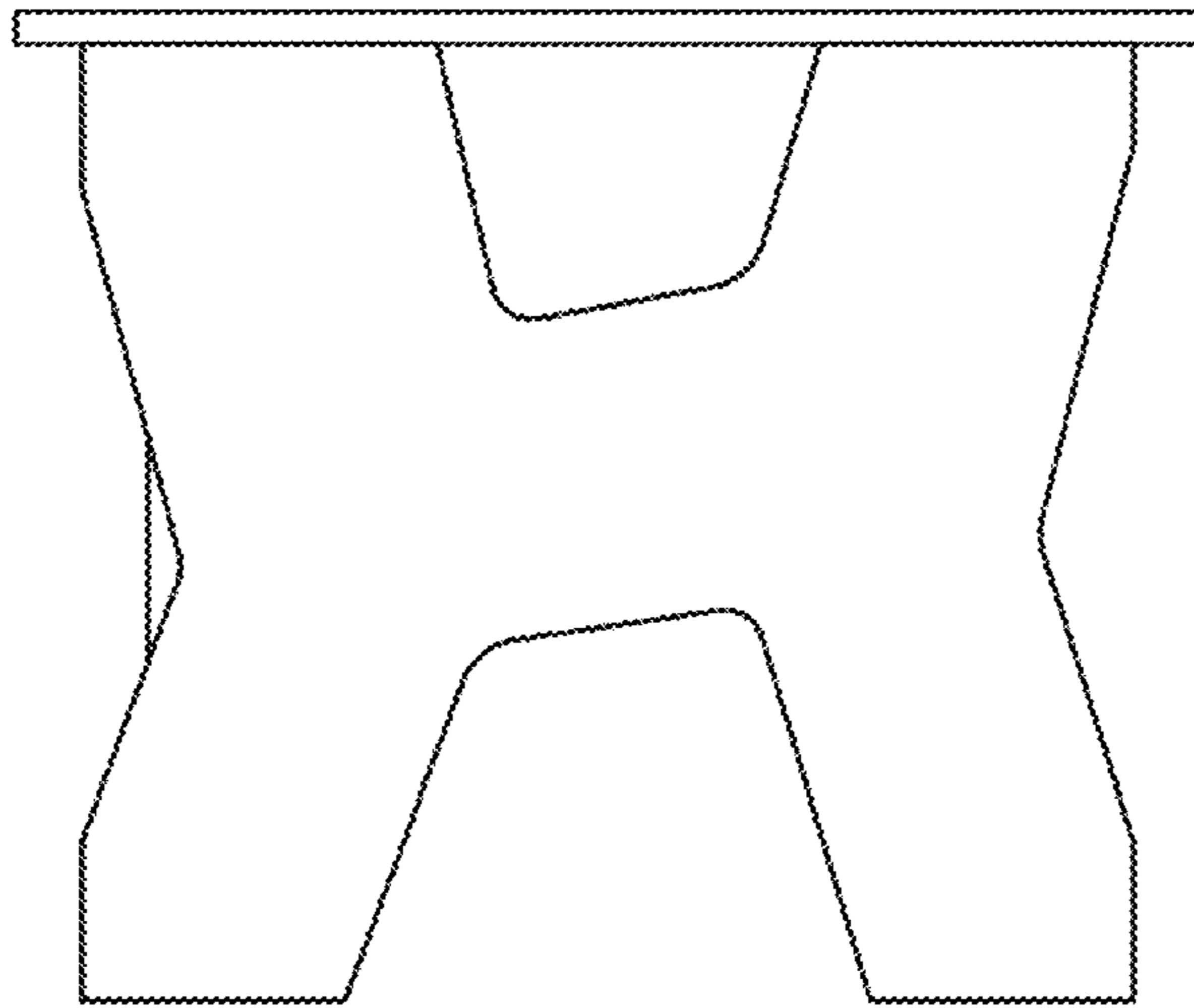


FIG. 3

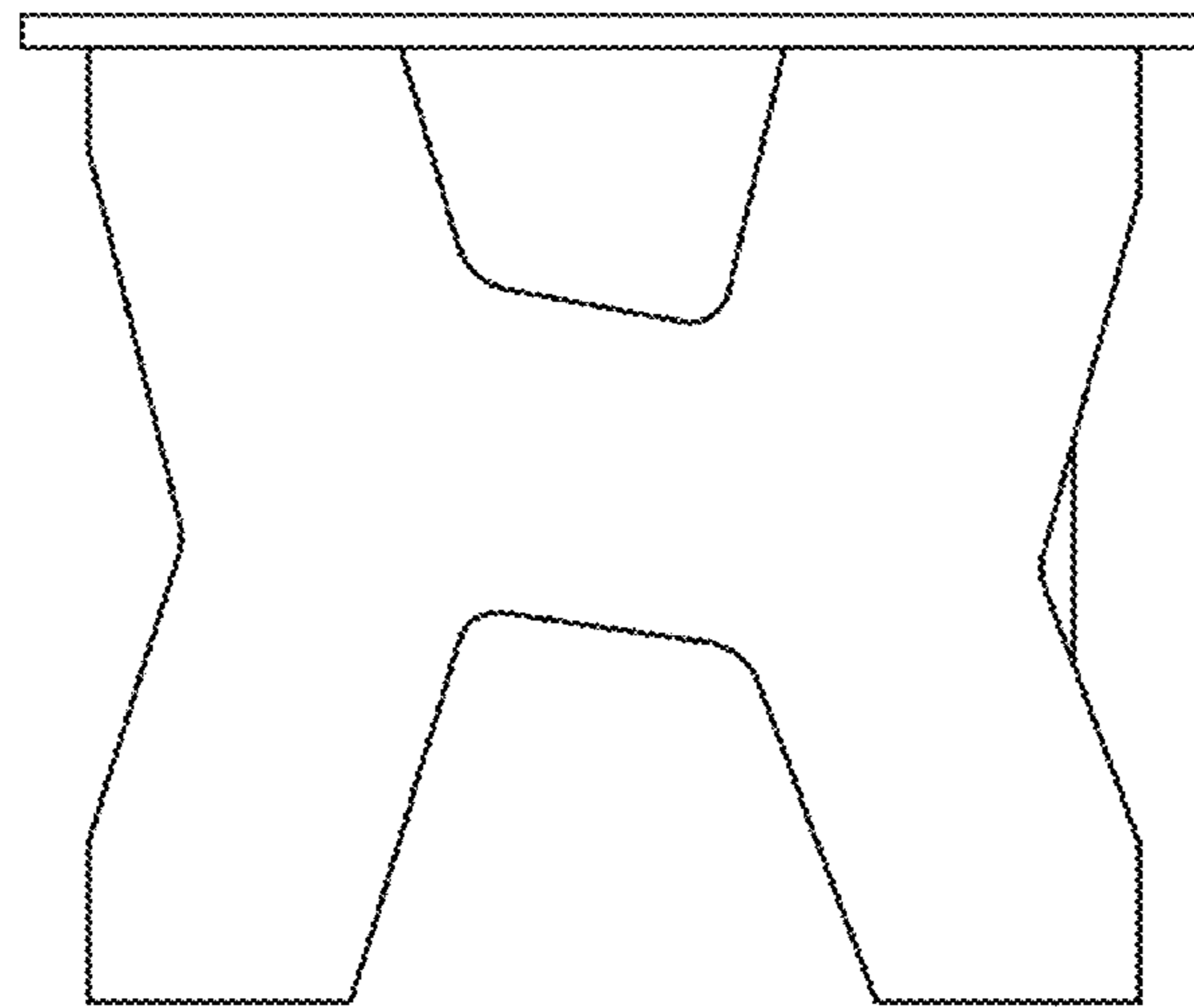


FIG. 4

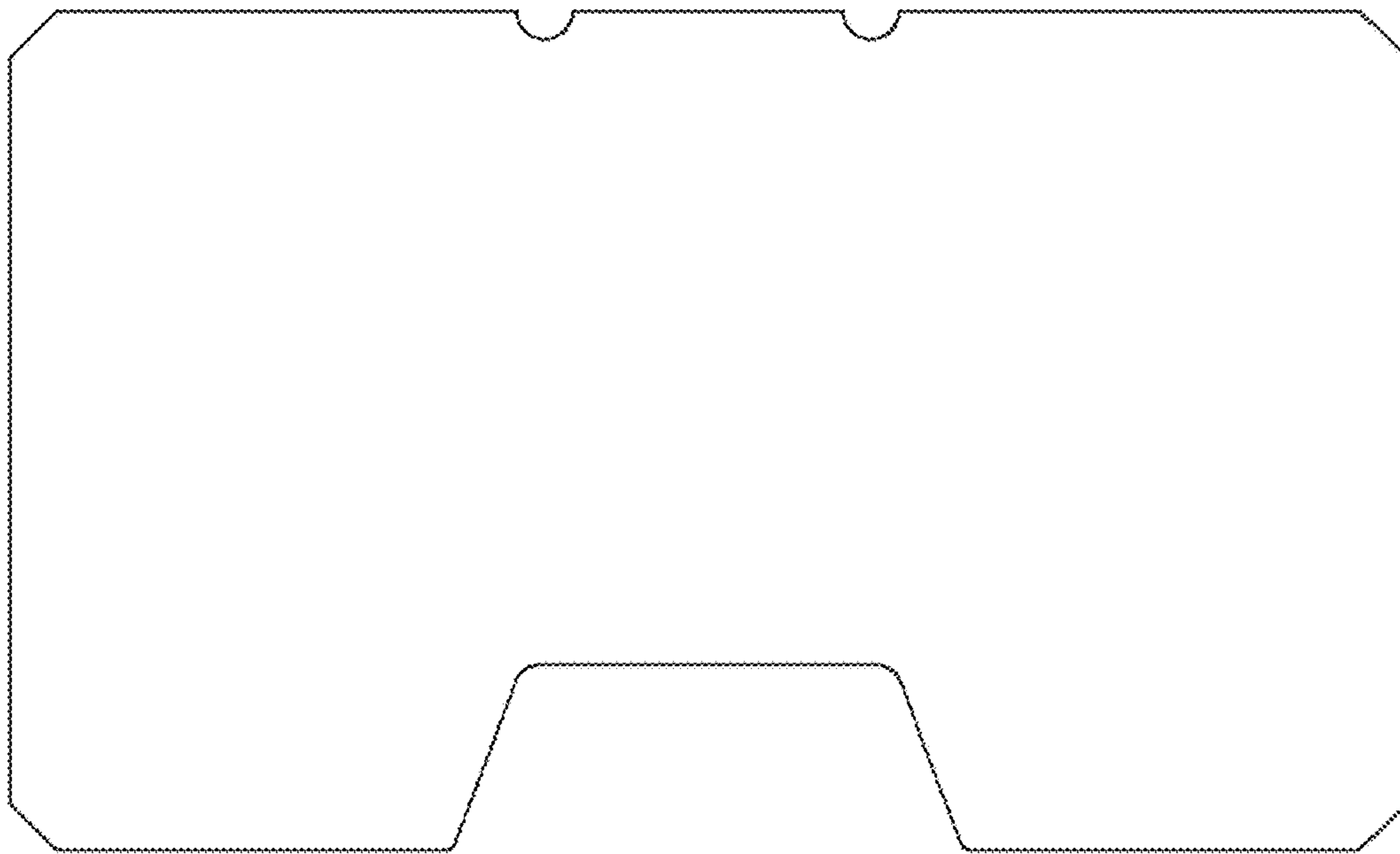


FIG. 5

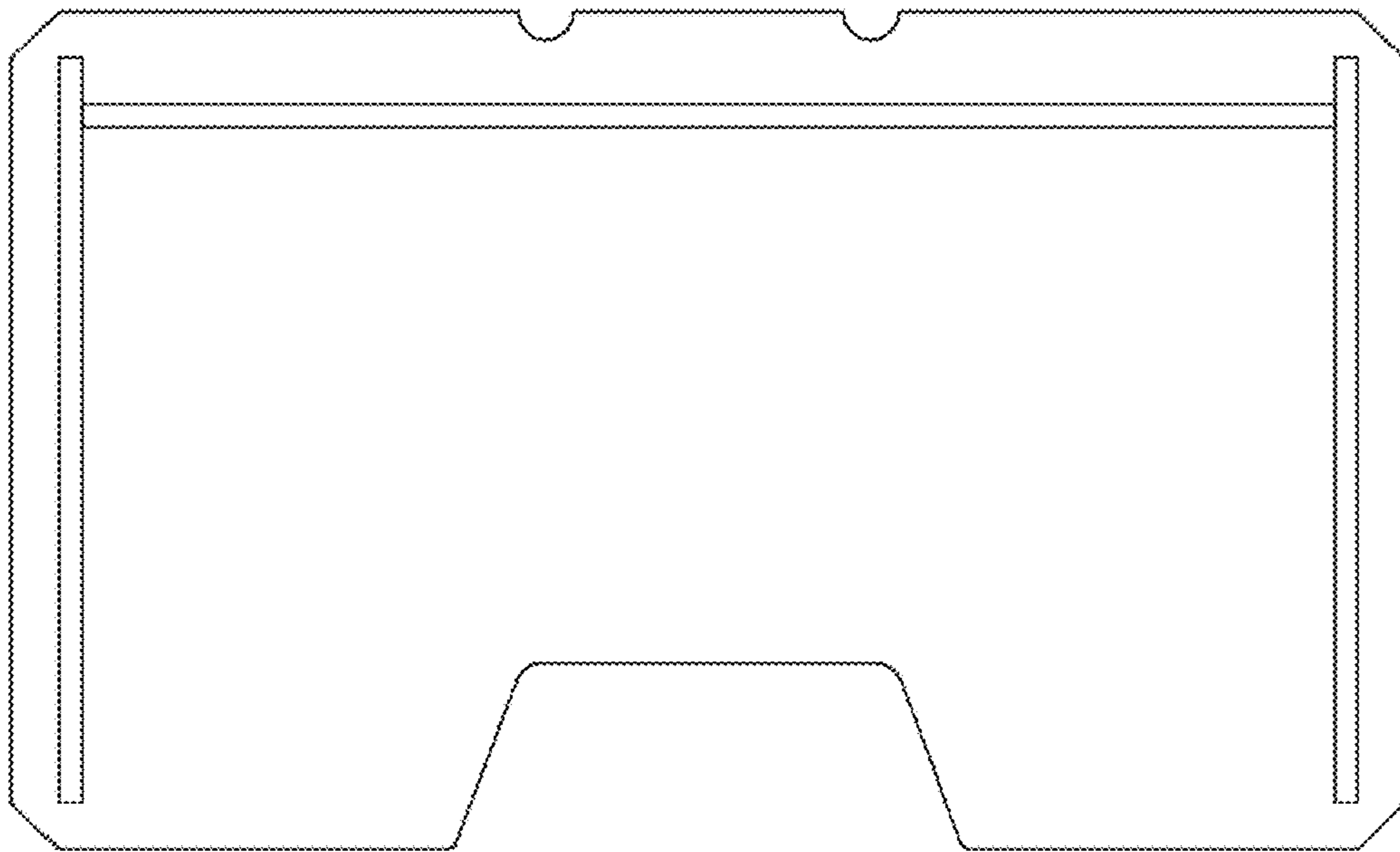


FIG. 6

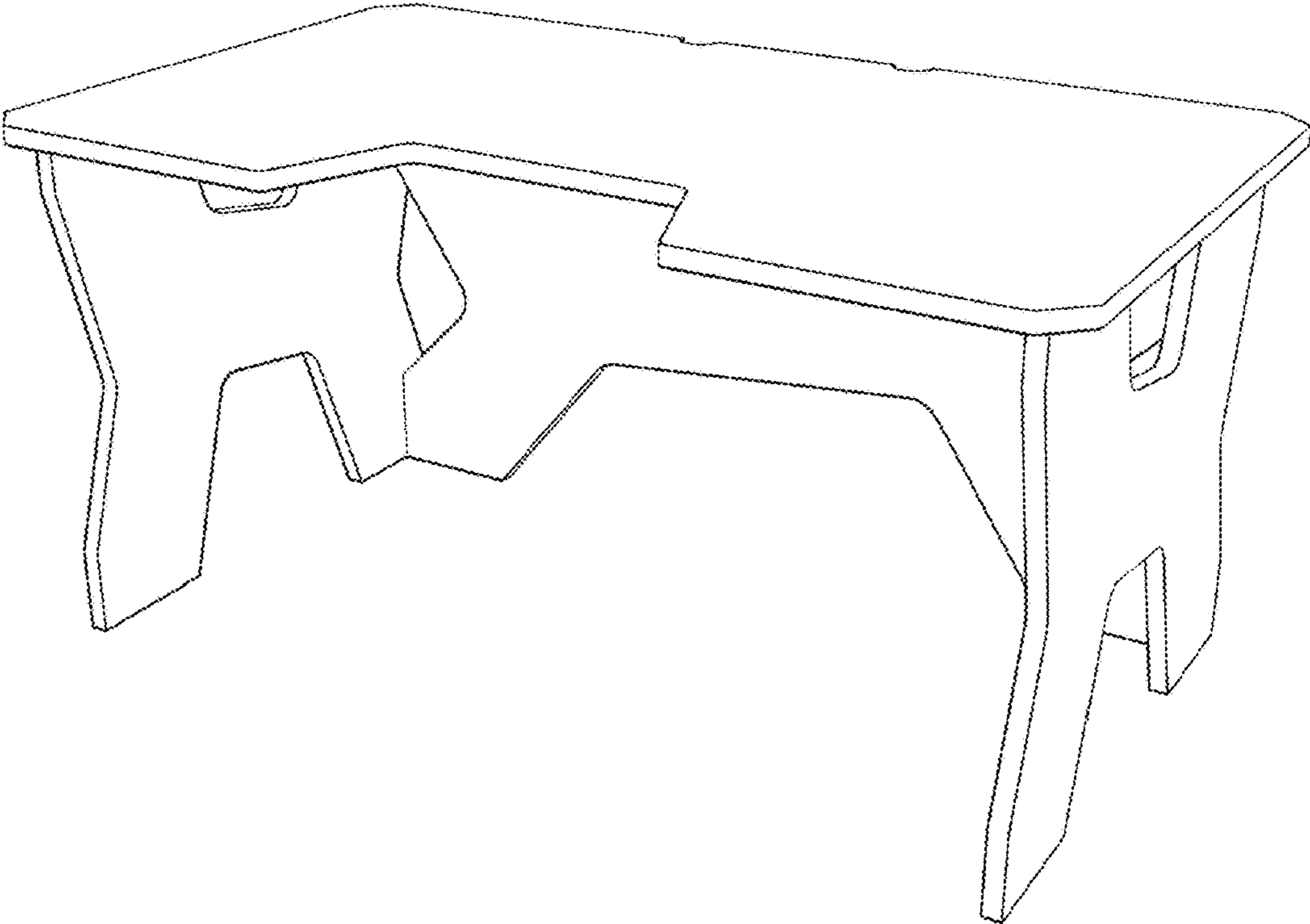


FIG. 7

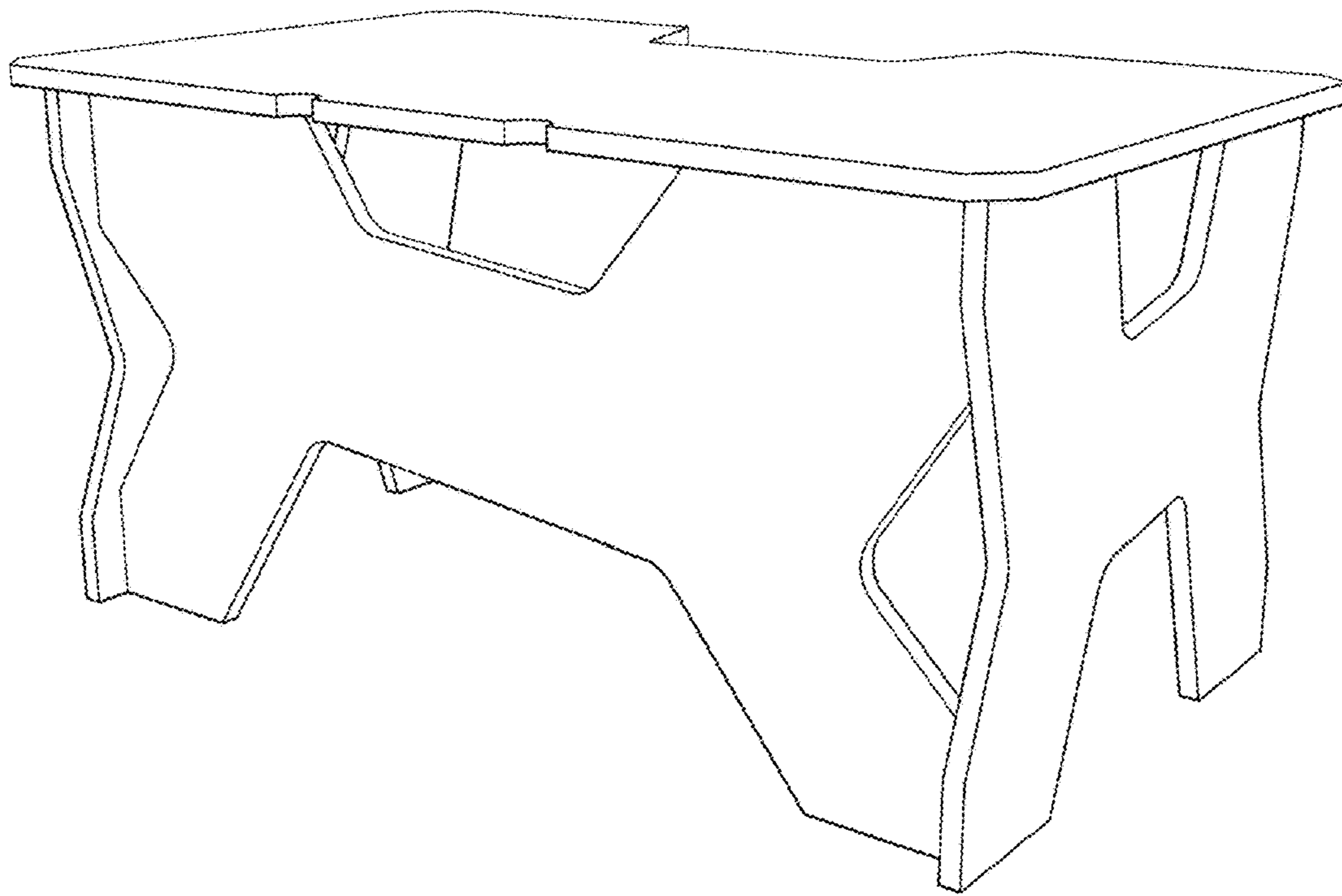


FIG. 8