



US00D853149S

(12) **United States Design Patent**
Badenhorst

(10) **Patent No.:** **US D853,149 S**
(45) **Date of Patent:** **** Jul. 9, 2019**

(54) **SLAT FOR A BLIND**

(71) Applicant: **Navus Consulting cc**, Cape Town (ZA)
(72) Inventor: **Marlene Badenhorst**, Cape Town (ZA)
(73) Assignee: **Navus Consulting cc**, Stellenbosch,
Cape Town (ZA)

(**) Term: **15 Years**

(21) Appl. No.: **29/609,227**

(22) Filed: **Jun. 29, 2017**

(30) **Foreign Application Priority Data**

Jan. 25, 2017 (ZA) A2017/00113

(51) **LOC (11) Cl.** **06-10**

(52) **U.S. Cl.**
USPC **D6/580; D25/48.1; D25/48.4**

(58) **Field of Classification Search**
USPC **D6/575-581; D8/358, 376; D25/55,
D25/119, 121, 123, 125; D26/138;
D13/155**

CPC . **A01G 9/222; A47H 1/04; A47H 1/13; A47H
23/00; A47H 23/01; A47H 23/06; A47H
23/10; A47H 5/00; A47H 5/03; A47H
5/06; E06B 2009/1505; E06B 2009/247;
E06B 2009/2476; E06B**

(Continued)

(56) **References Cited**

U.S. PATENT DOCUMENTS

11,311 A * 7/1854 Ward E06B 9/386
160/236
863,573 A * 8/1907 McCord E06B 7/084
49/74.1

(Continued)

Primary Examiner — Kevin K Rudzinski

Assistant Examiner — Clare Ann Gannon

(74) *Attorney, Agent, or Firm* — Haugen Law Firm PLLP

(57) **CLAIM**

The ornamental design for a slat for a blind, as shown and described.

DESCRIPTION

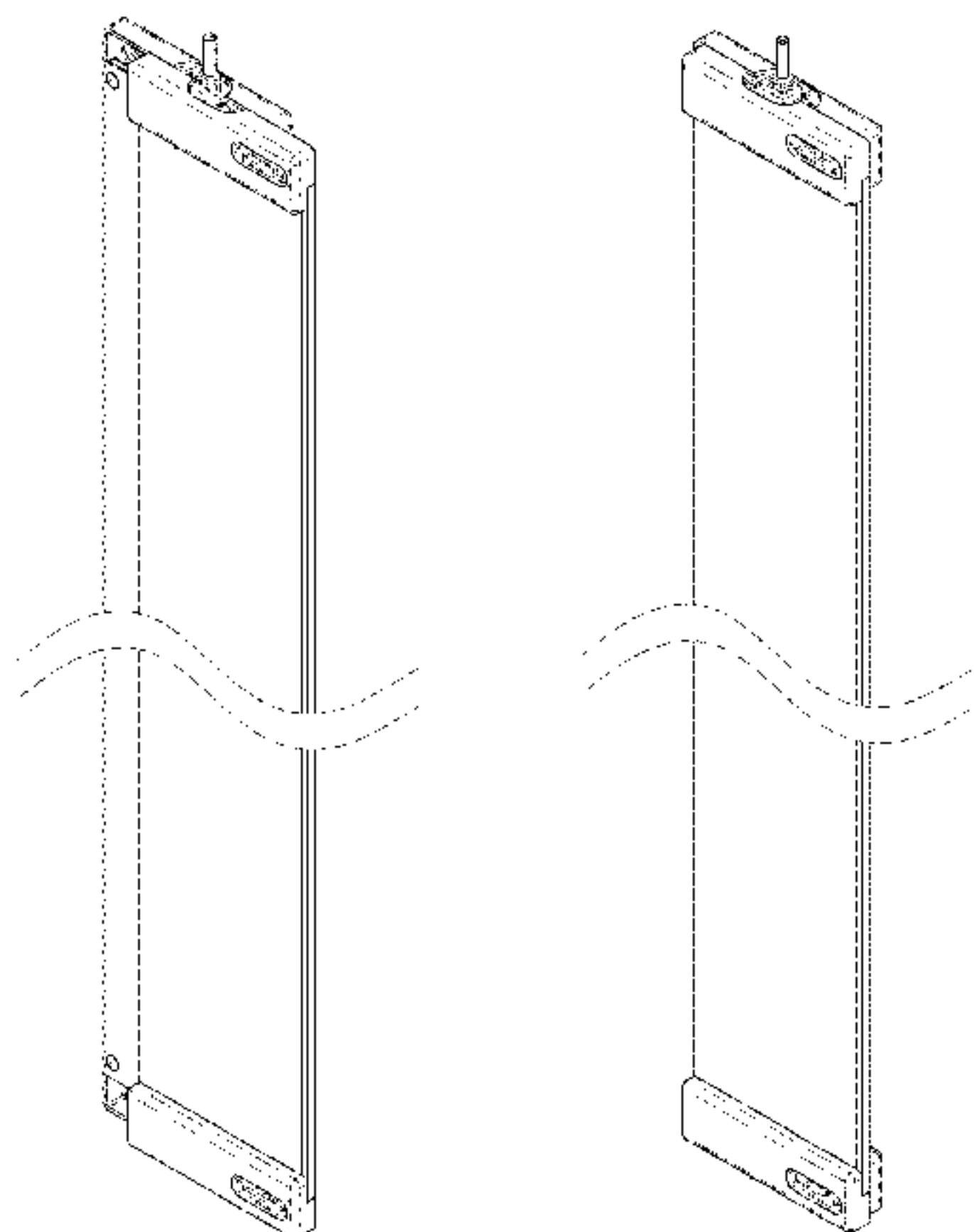
FIG. 1 is a top perspective view of the slat for a blind of the present invention in an extended condition;
FIG. 2 is a bottom perspective view thereof;
FIG. 3 is a top perspective view thereof, shown in a retracted condition;
FIG. 4 is a bottom perspective view thereof;
FIG. 5 is a front elevational view thereof, shown in an extended condition;
FIG. 6 is a rear elevational view thereof;
FIG. 7 is a front elevational view thereof, shown in a retracted condition;
FIG. 8 is a rear elevational view thereof;
FIG. 9 is a left side elevational view thereof, shown in an extended condition;
FIG. 10 is a right side elevational view thereof;
FIG. 11 is left side elevational view thereof, shown in a retracted condition;
FIG. 12 is a right side elevational thereof;
FIG. 13 is a top plan view thereof, shown in an extended condition;
FIG. 14 is a bottom plan view thereof;
FIG. 15 is a top plan view thereof, shown in a retracted condition; and,
FIG. 16 is a bottom plan view thereof.

The broken line showing of environmental structure is for illustrative purposes only, and forms no part of the claimed design.

The wire frame line showing in light line weight is to depict surface contour of the slat for a blind.

The slat for a blind is shown in FIGS. 1-12 with a symbolic break in its length. The appearance of any portion of the article between the break lines forms no part of the claimed design.

1 Claim, 16 Drawing Sheets



US D853,149 S

Page 2

(58) **Field of Classification Search**

CPC 2009/2494; E06B 2009/2622; E06B
2009/2625; E06B 2009/2627; E06B
2009/524; E06B 9/24; E06B 9/26; E06B
9/262; E06B 9/264; E06B 9/28; E06B
9/302; E06B 9/303; E06B 9/322; E06B
9/323; E06B 9/34; E06B 9/386; E06B
9/388; E06B 9/40; E06B 9/42; E06B
9/521; E06B 9/56; E06B 9/60

See application file for complete search history.

(56)

References Cited

U.S. PATENT DOCUMENTS

2,225,496 A * 12/1940 Gethin E01F 9/541
404/12
2,254,583 A 9/1941 Stuart
2,564,641 A 8/1951 Lewis
2,654,425 A 10/1953 De Eldon
2,875,827 A 3/1959 Oscar
3,061,005 A 10/1962 Otto
3,280,891 A 10/1966 Eldredge
3,520,346 A 7/1970 Hollister
3,853,169 A 12/1974 Edwards et al.
4,597,429 A * 7/1986 Driessen E06B 9/367
160/236
4,715,421 A 12/1987 Erber
5,291,946 A 3/1994 Ciriaci
5,339,591 A * 8/1994 Underdahl E06B 7/082
49/74.1
5,566,738 A 10/1996 Yadidya
D468,453 S * 1/2003 Schrader D25/121

D481,240 S * 10/2003 Steinberg D6/580
6,644,377 B1 * 11/2003 Lewis E06B 9/28
160/115
9,145,732 B2 9/2015 Frigerio
9,175,511 B2 11/2015 Whytlaw
D744,260 S * 12/2015 Charette E06B 9/367
D6/580
2002/0129553 A1 * 9/2002 Metzen E06B 7/086
49/82.1
2003/0034134 A1 2/2003 Saralou
2003/0213567 A1 11/2003 Markley
2005/0230061 A1 10/2005 Wilkins
2005/0269044 A1 * 12/2005 Nien E06B 9/386
160/236
2006/0101717 A1 * 5/2006 Marocco E06B 9/266
49/74.1
2006/0289123 A1 * 12/2006 Corey E06B 7/09
160/166.1
2007/0215200 A1 * 9/2007 Lim E06B 9/36
136/246
2008/0099160 A1 * 5/2008 Chen E06B 9/04
160/172 R
2009/0293400 A1 * 12/2009 Fraser E06B 9/28
52/473
2010/0000691 A1 9/2010 Levy
2011/0048656 A1 * 3/2011 Chu E06B 9/28
160/310
2012/0124872 A1 5/2012 Lim
2016/0186948 A1 * 6/2016 Gardiner E06B 9/264
359/595
2016/0237741 A1 * 8/2016 Greene E06B 9/322
2018/0209212 A1 * 7/2018 Nanba E06B 9/386

* cited by examiner

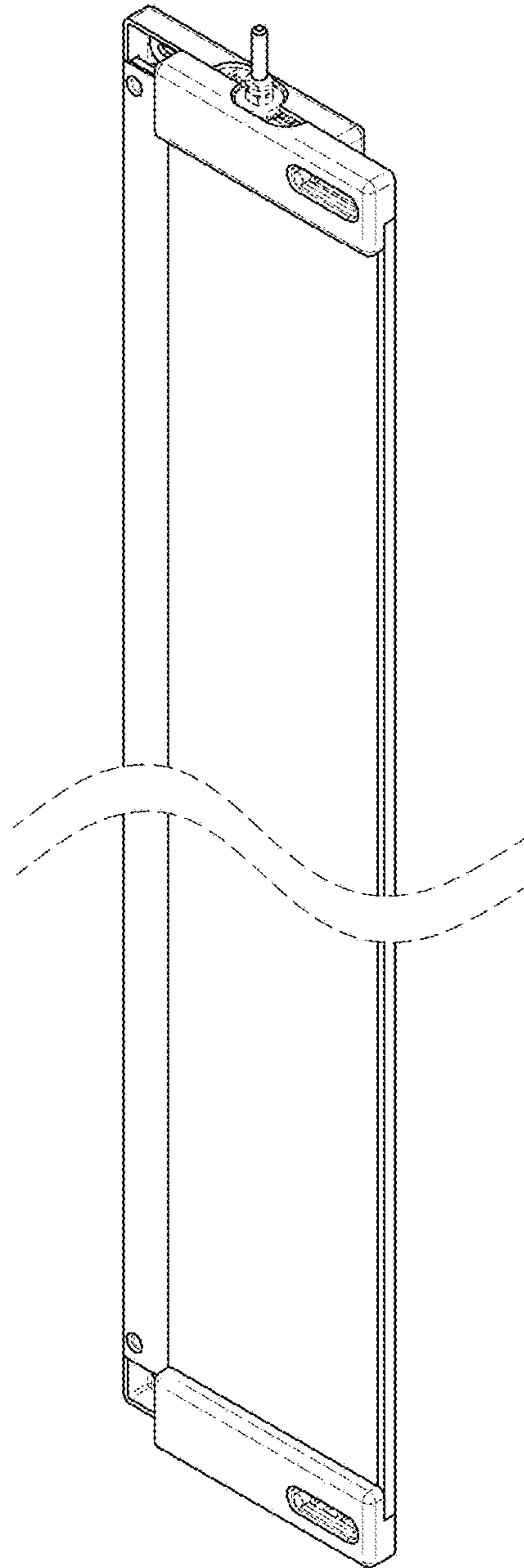


FIG. 1

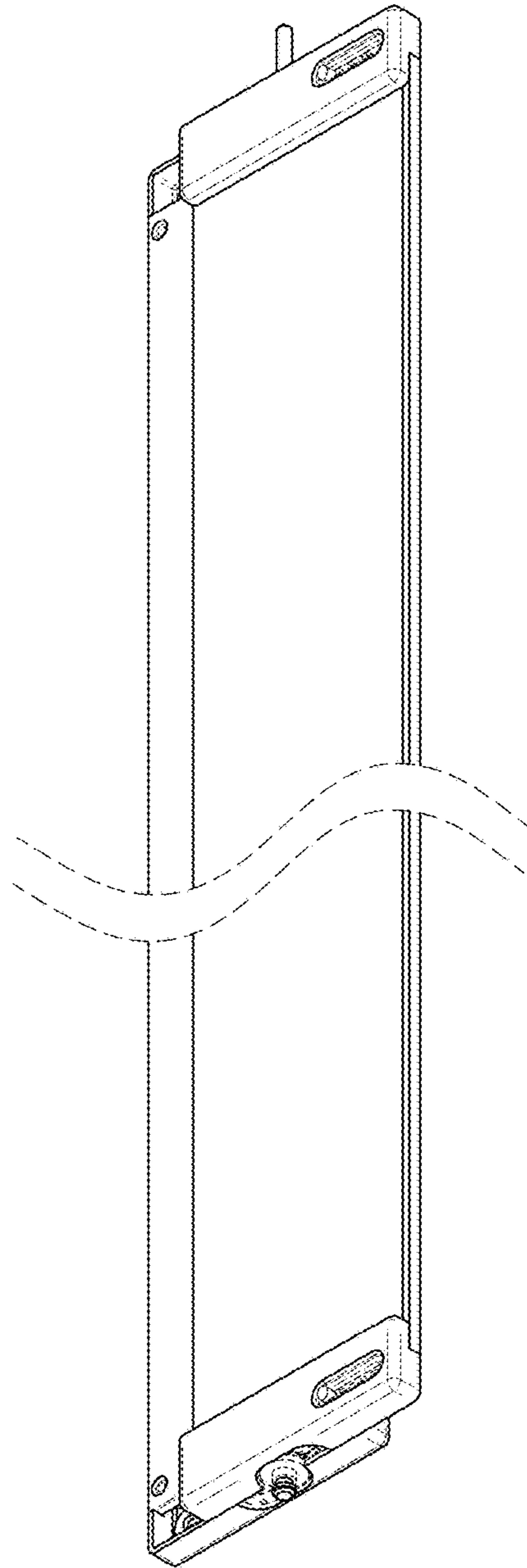


FIG. 2

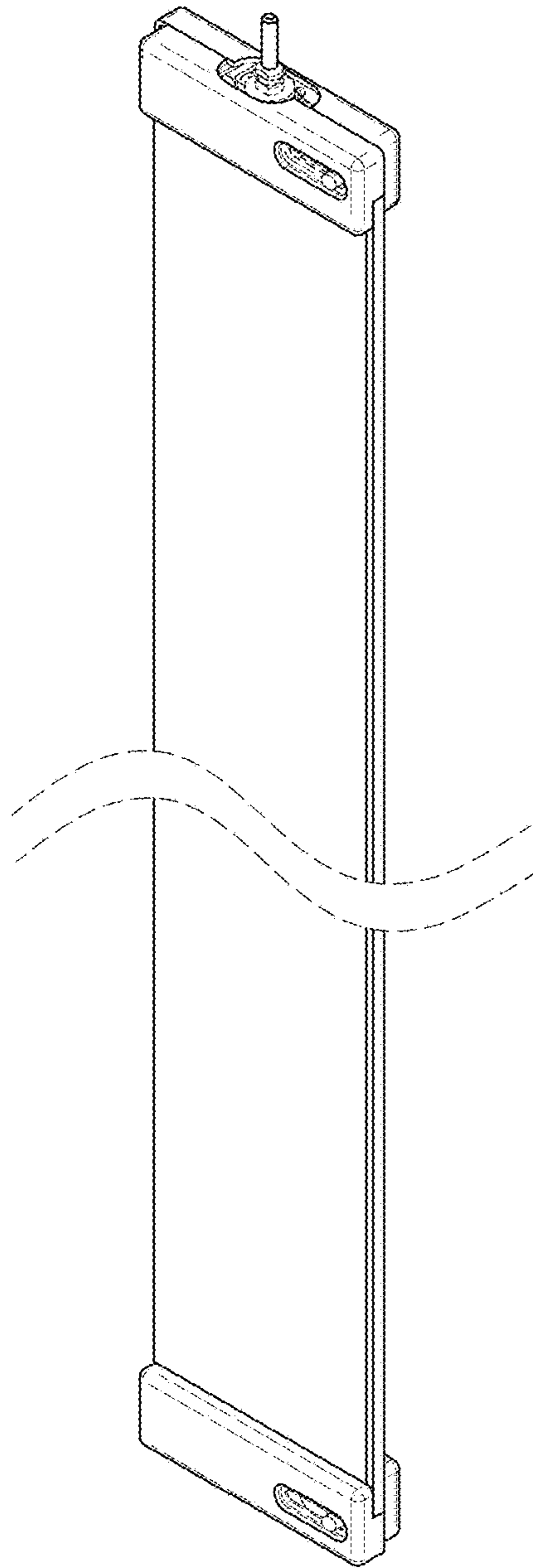


FIG. 3

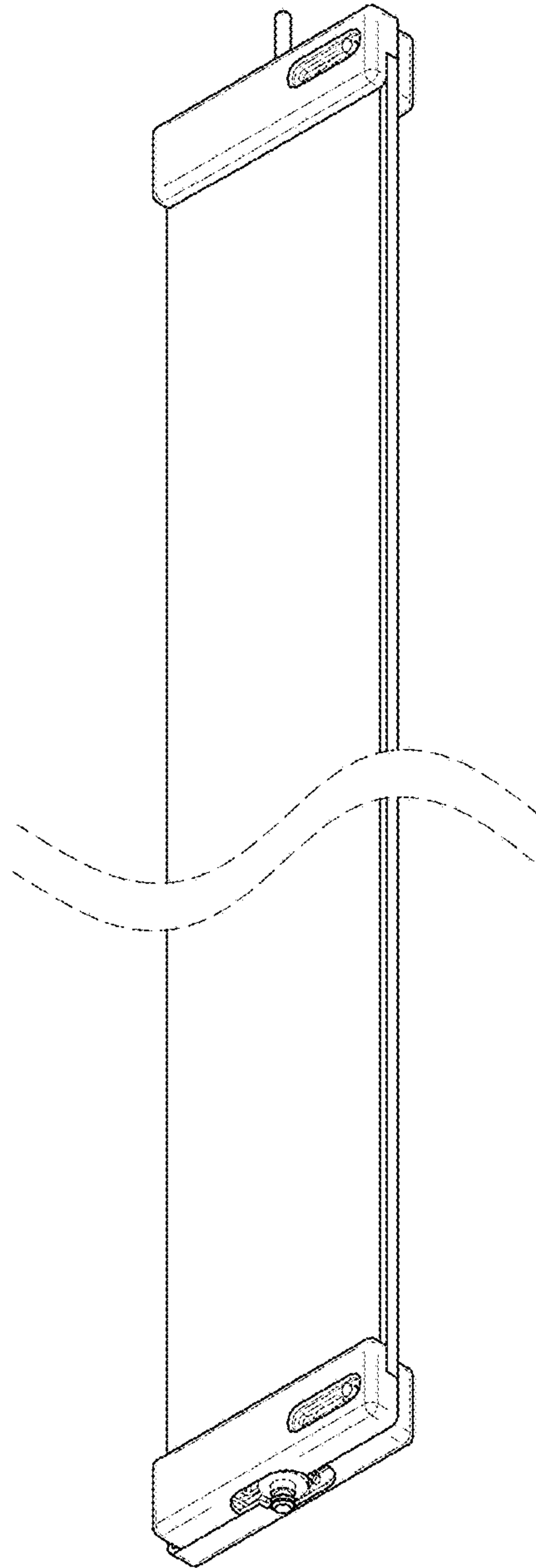


FIG. 4

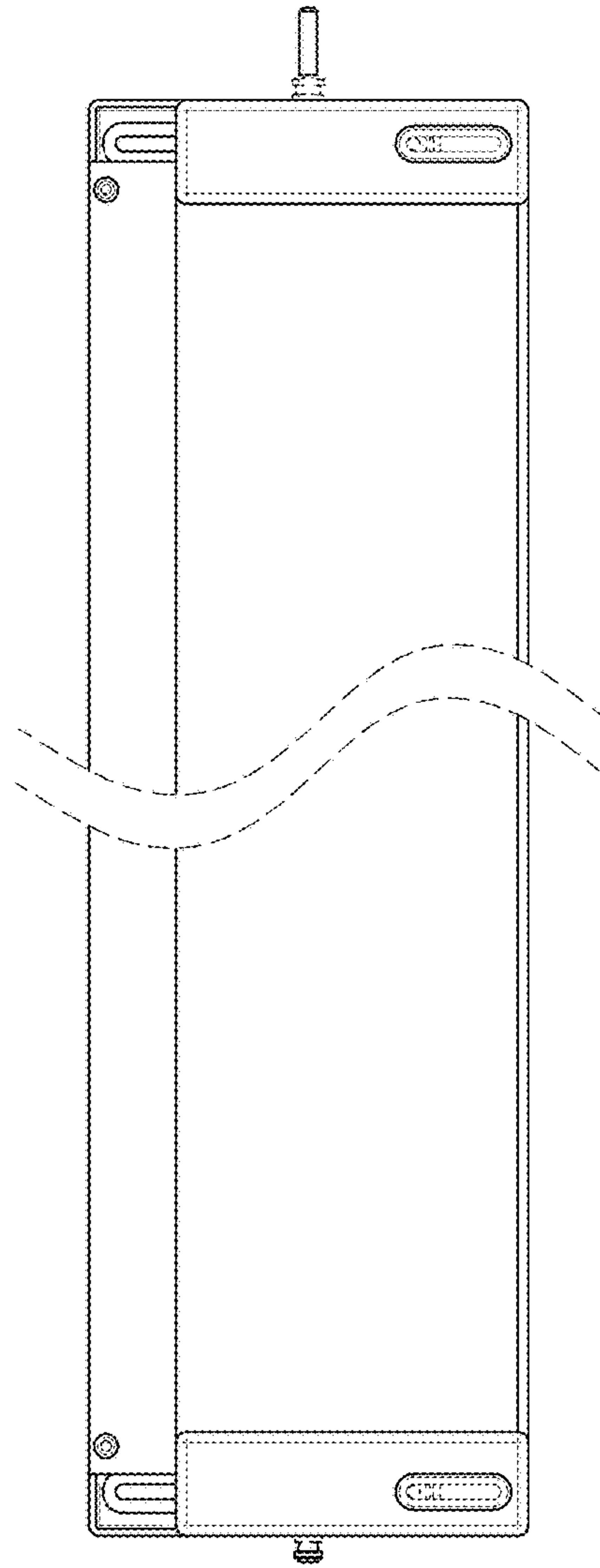


FIG. 5

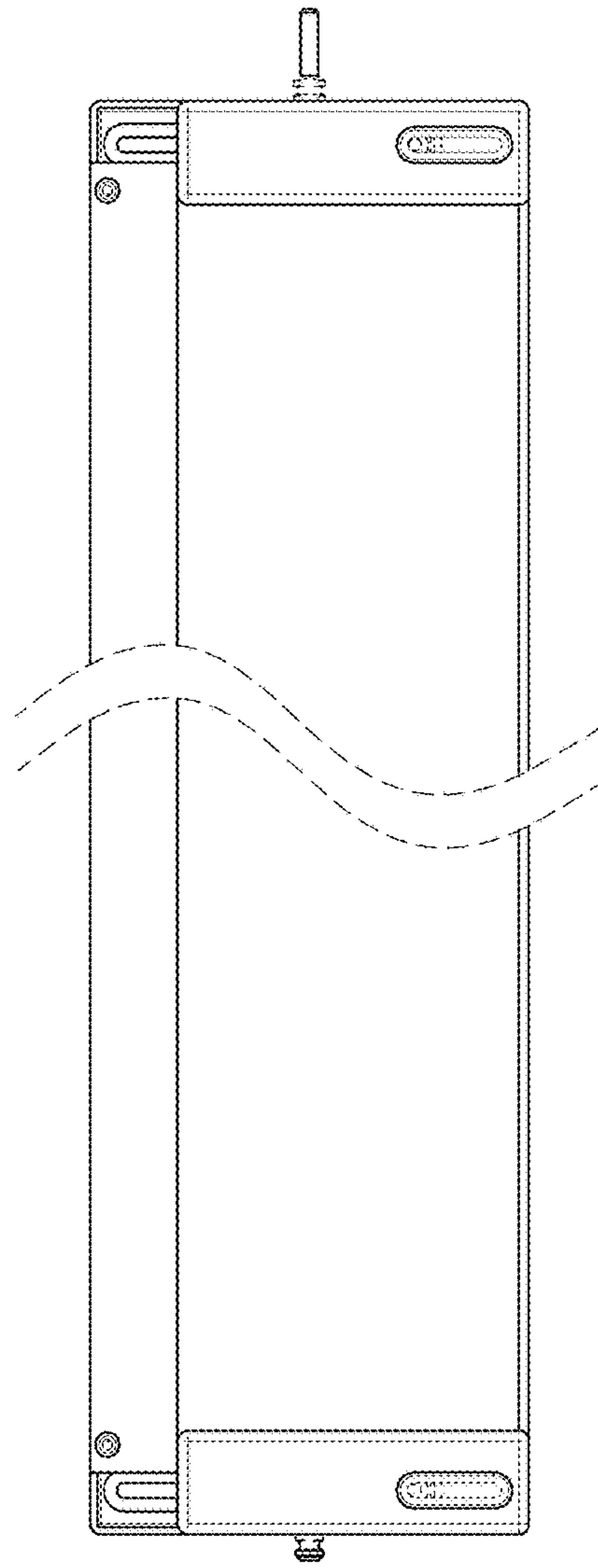


FIG. 6

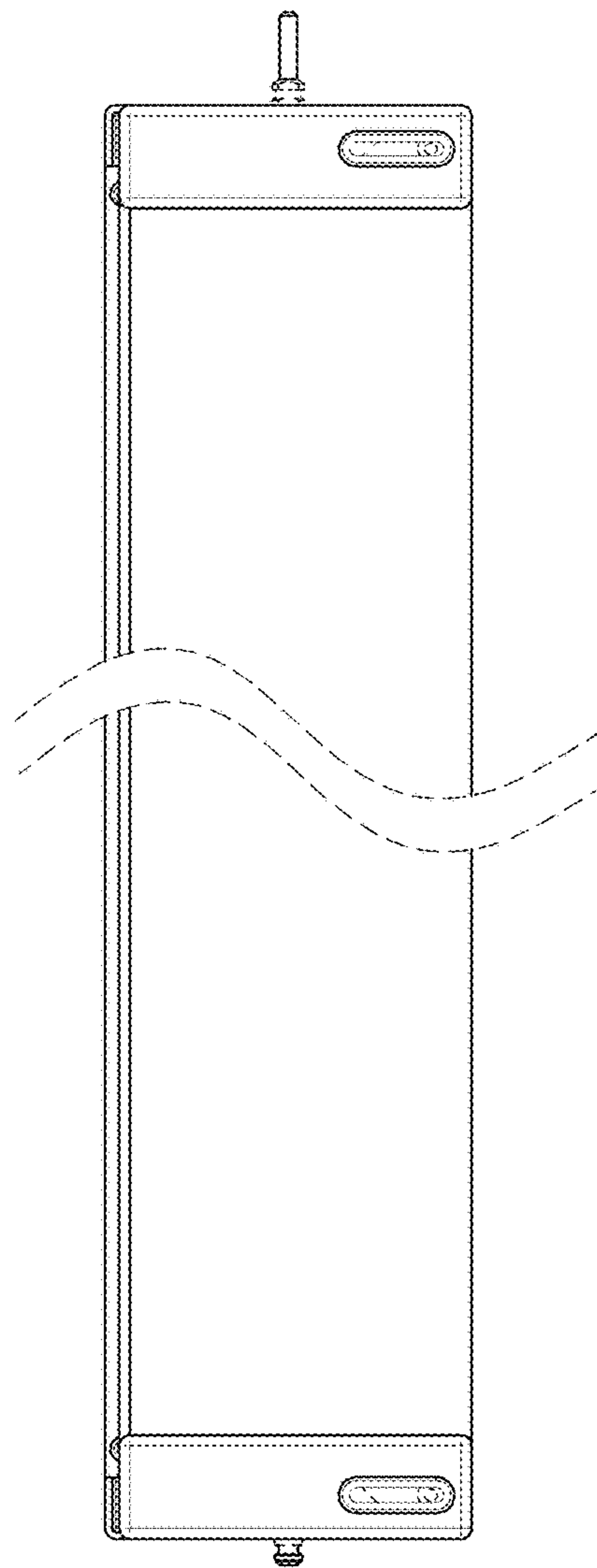


FIG. 7

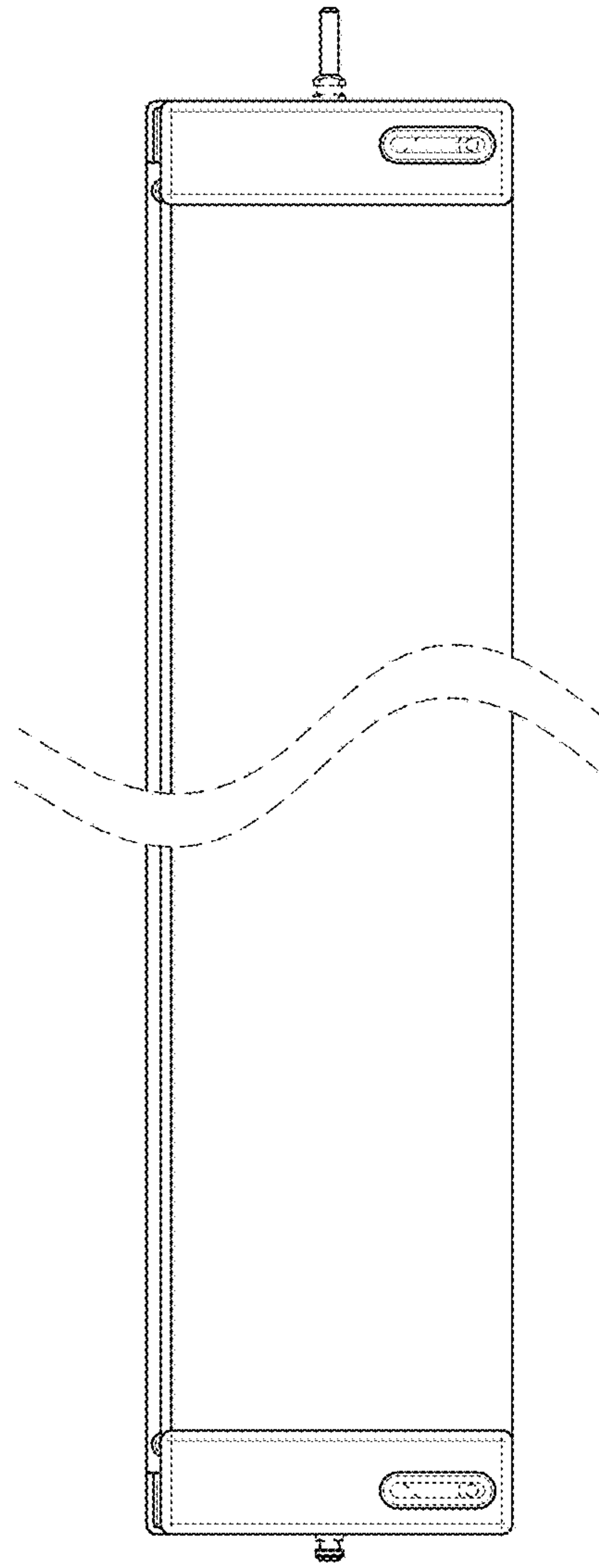


FIG. 8

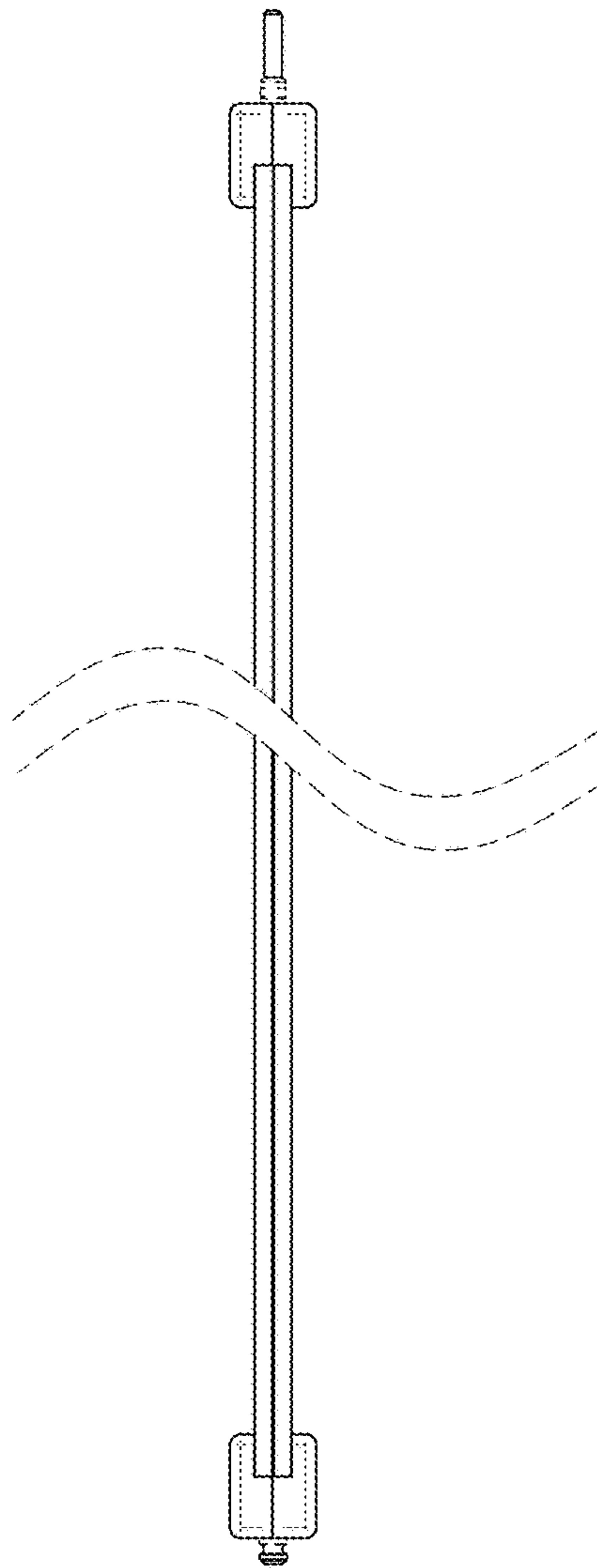


FIG. 9

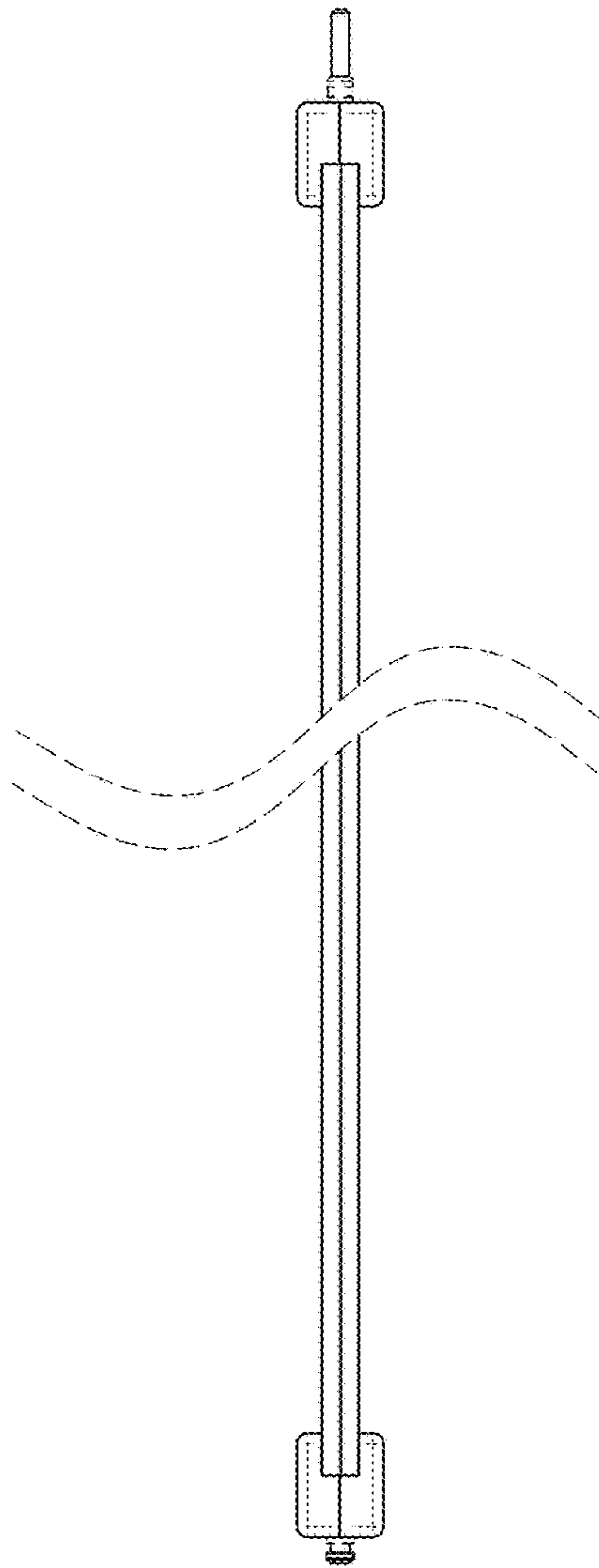


FIG. 10

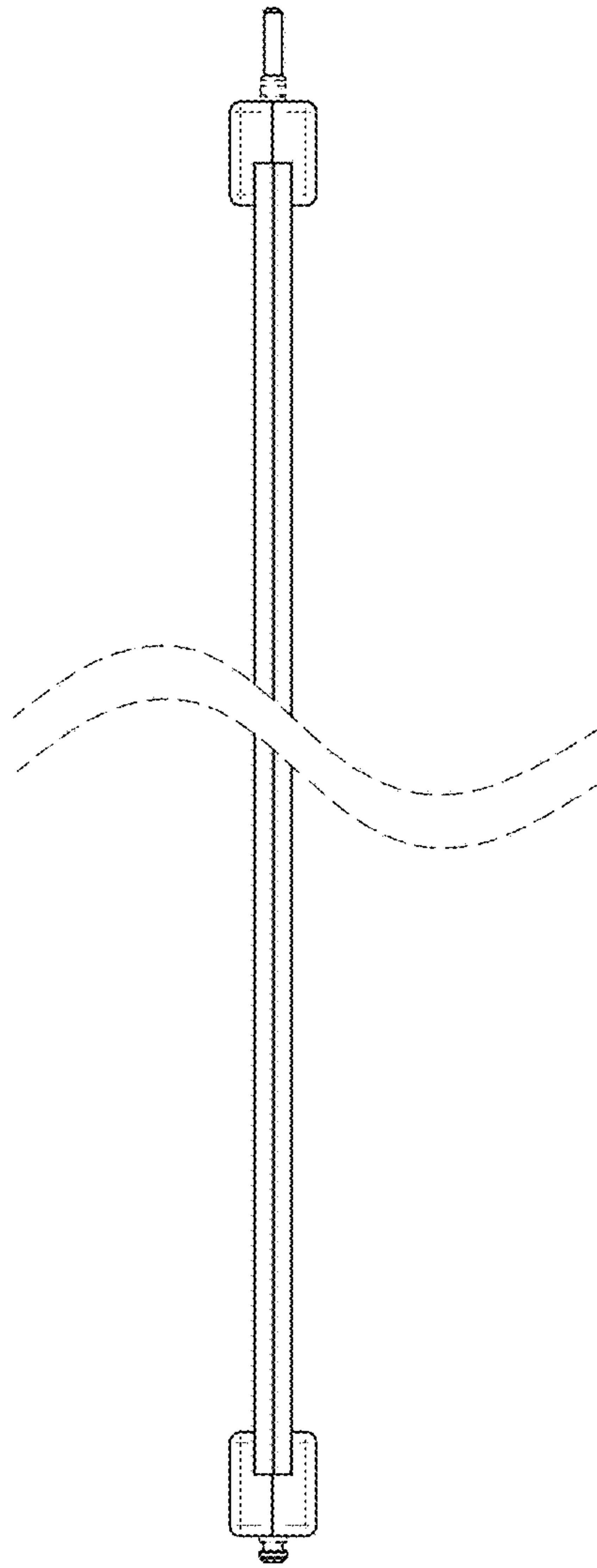


FIG. 11

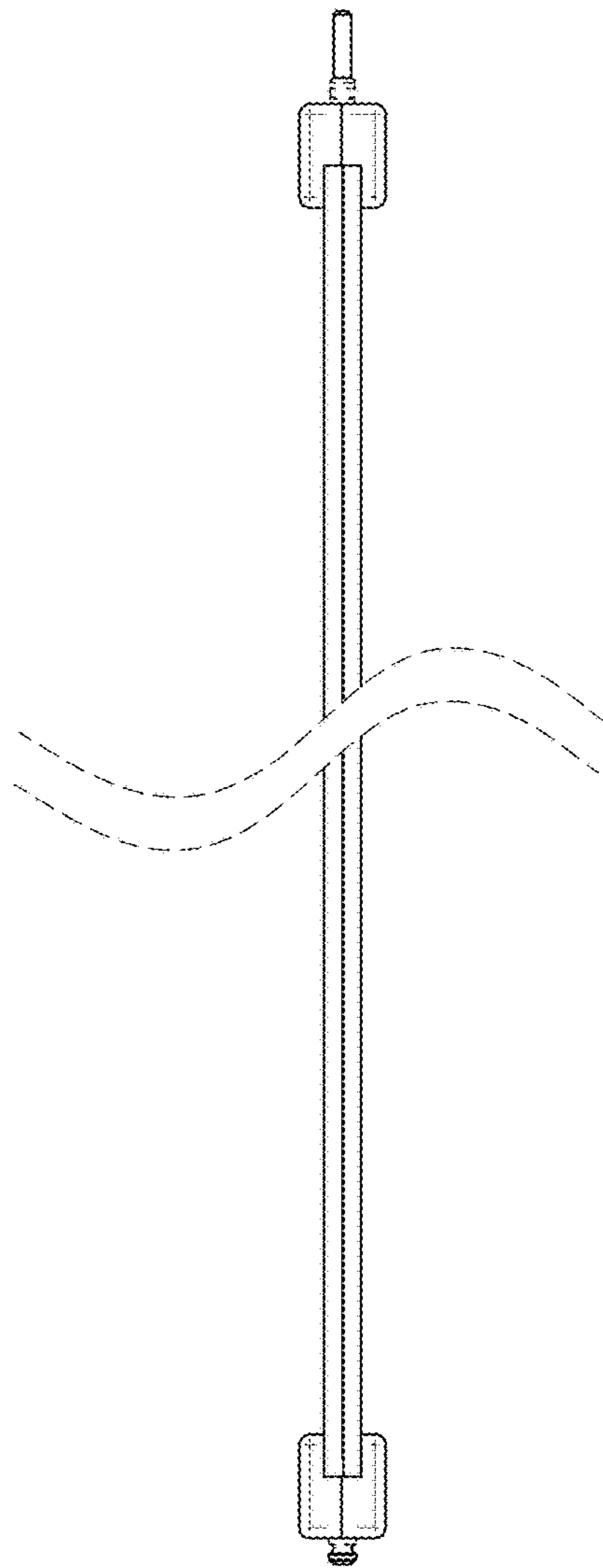


FIG. 12

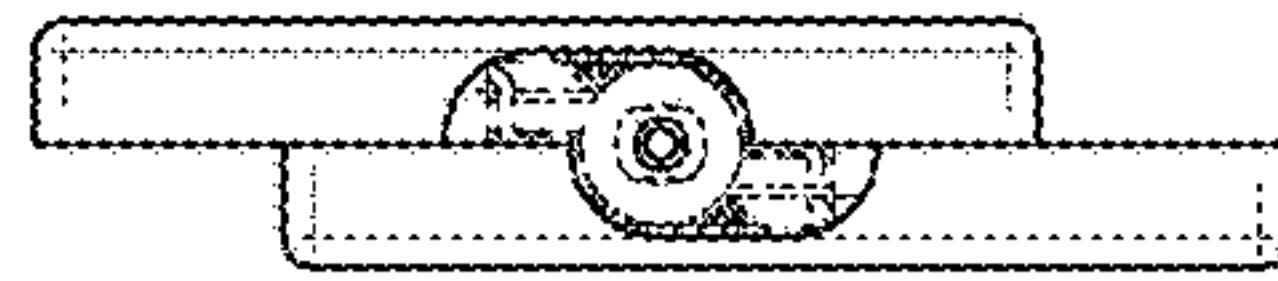


FIG. 13

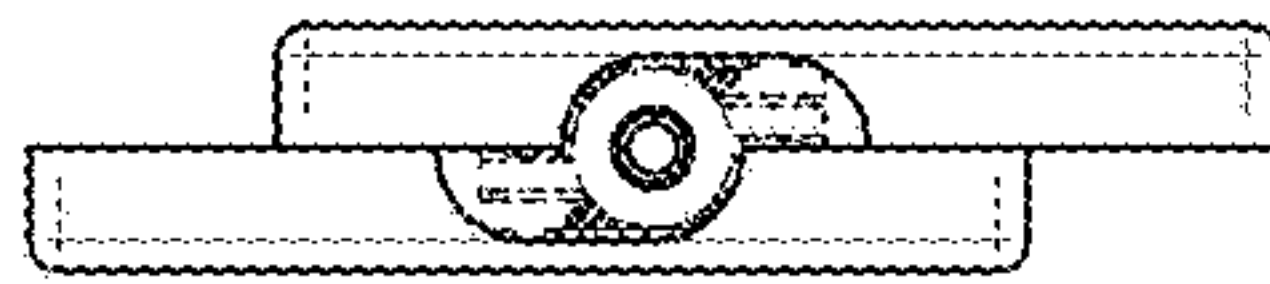


FIG. 14



FIG. 15

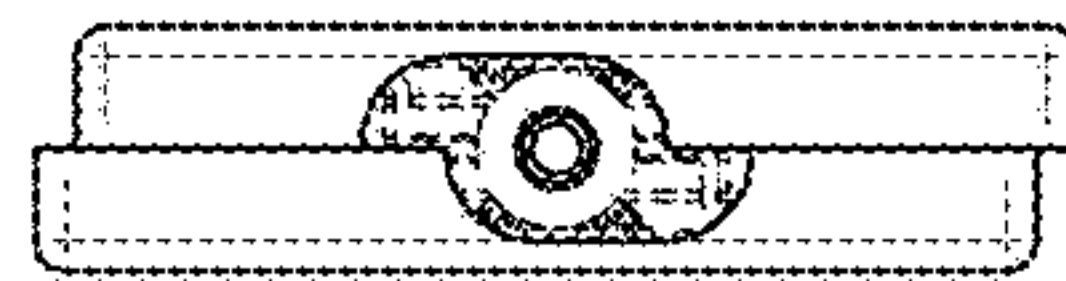


FIG. 16