



US00D853148S

(12) **United States Design Patent** (10) **Patent No.:** **US D853,148 S**  
**Cross** (45) **Date of Patent:** **\*\* Jul. 9, 2019**

(54) **DISPENSER SPOUT**  
(71) Applicant: **GPCP IP Holdings LLC**, Atlanta, GA (US)  
(72) Inventor: **Brandon Seth Cross**, Atlanta, GA (US)  
(73) Assignee: **GPCP IP HOLDINGS LLC**, Atlanta, GA (US)  
(\*\*) Term: **15 Years**

(21) Appl. No.: **29/572,366**  
(22) Filed: **Jul. 27, 2016**  
(51) **LOC (11) Cl.** ..... **23-02**  
(52) **U.S. Cl.**  
USPC ..... **D6/542**

(58) **Field of Classification Search**  
USPC ..... D6/542, 543, 545; 206/77.1; 221/282-283; 222/92, 105, 173, 180, 222/181.1, 181.2, 181.3, 282, 283  
CPC ..... B01L 3/52; B05B 11/3014; B05B 9/0403; B05B 9/0426; C11D 17/08; A45D 19/02; A47K 5/12; A47K 5/1202; A47K 5/1211; B67D 7/0255; B01F 15/0243; B01F 15/0254; B01F 5/12; B01F 5/20; B05D 5/00  
See application file for complete search history.

(56) **References Cited**  
U.S. PATENT DOCUMENTS  
D341,741 S \* 11/1993 Allen ..... D6/542  
6,467,651 B1 10/2002 Muderlak et al.  
6,651,851 B2 11/2003 Muderlak et al.  
6,929,150 B2 8/2005 Muderlak et al.  
7,025,227 B2 4/2006 Oliver et al.  
7,533,787 B2 5/2009 Muderlak et al.  
7,611,317 B2 11/2009 Muderlak et al.

7,681,765 B2 3/2010 Muderlak  
D622,526 S \* 8/2010 Dai ..... D6/542  
8,668,118 B2 3/2014 Tsai et al.  
D703,968 S \* 5/2014 Hardy ..... D6/542  
2009/0152293 A1 6/2009 Sayers et al.  
2013/0140323 A1 6/2013 Yun et al.

**OTHER PUBLICATIONS**

Sloan, SJS-1650 Battery Powered Sensor Activated Electronic Soap Dispenser, Retrieved from <https://www.sloan.com/commercial-bathroom-products/soap-dispensers/healthminder/sjs-1650> on Sep. 30, 2016, 1 page.  
Kimberly-Clark Professional, Touchless Counter Mount Skin Care Dispenser Code 11331, Retrieved from <http://www.kcprofessional.com/products/dispensers/skincare/electronic/11331-kimberly-clark-professional-touchless-counter-mount-skin-care-dispenser> on Sep. 30, 2016, 2 pages.

(Continued)

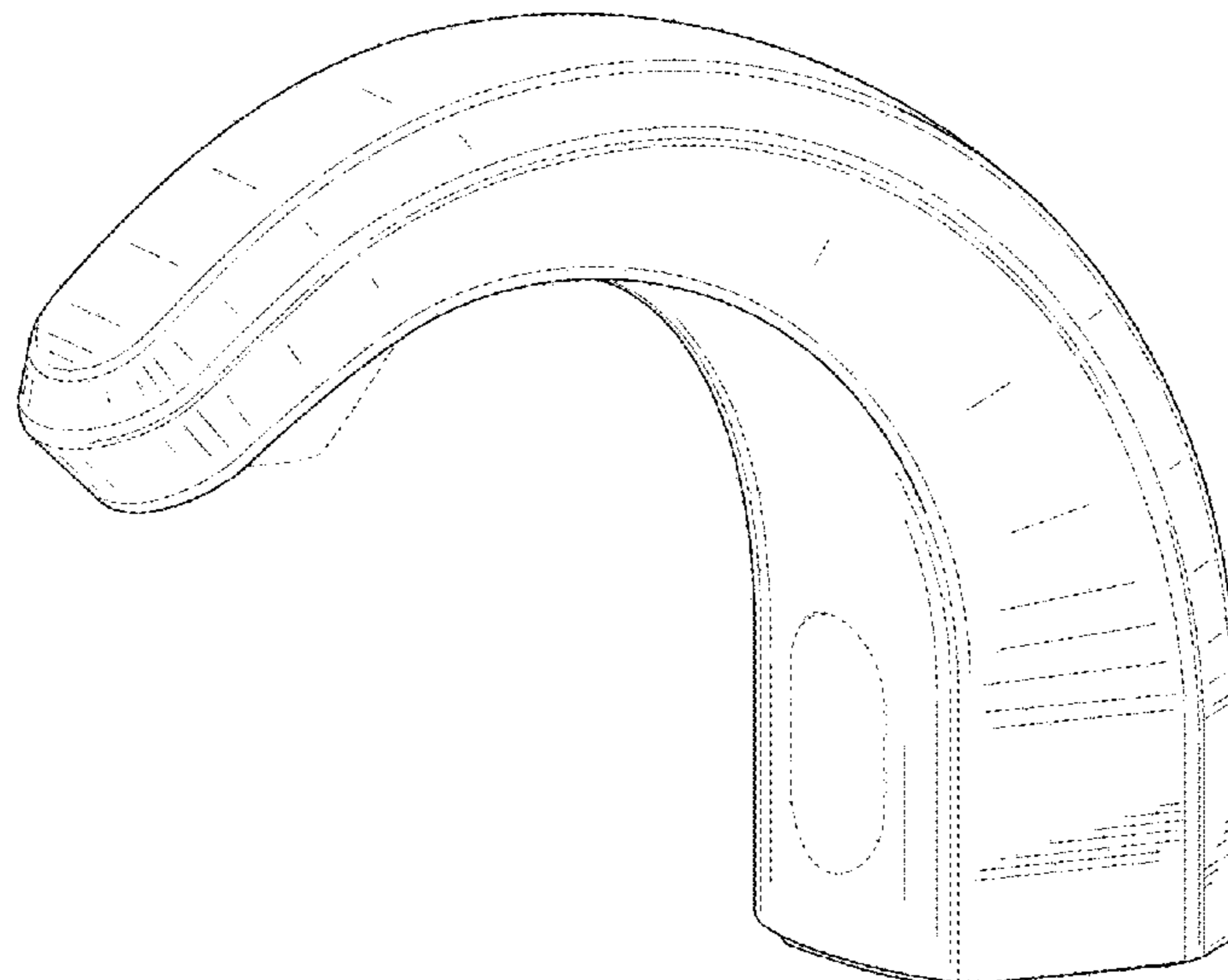
*Primary Examiner* — Wan Laymon  
*Assistant Examiner* — Mark Booker  
(74) *Attorney, Agent, or Firm* — Alston & Bird LLP

(57) **CLAIM**  
I claim the ornamental design for a dispenser spout, as shown and described.

**DESCRIPTION**

FIG. 1 is a perspective view of dispenser spout showing my new design;  
FIG. 2 is a front elevation view thereof;  
FIG. 3 is a rear elevation view thereof;  
FIG. 4 is a left side elevation view thereof;  
FIG. 5 is a right side elevation view thereof;  
FIG. 6 is a top plan view thereof; and,  
FIG. 7 is a bottom plan view thereof.  
The broken lines are directed to unclaimed features and form no part of the claimed design.

**1 Claim, 6 Drawing Sheets**



(56)

**References Cited**

OTHER PUBLICATIONS

Kimberly-Clark Professional, Touchless Counter Mount Skin Care Dispenser, Heavy-Duty Code 34829, Retrieved from <http://www.kcprofessional.com/products/dispensers/skincare/electronic/34829-k-c-professional-touchless-counter-mount-skin-care-dispenser-heavy-duty> on Sep. 30, 2016, 2 pages.

Kimberly-Clark Professional, Slimline Touchless Counter Mount Skin Care System Code 40836, Retrieved from <http://www.kcprofessional.com/products/dispensers/skincare/electronic/40836-kimberly-clark-professional-slimline-touchless-counter-mount-skin-care-system> on Sep. 30, 2016, 2 pages.

Shenzhen Svavo Bathroom Products Co., LTD, Automatic Foam Soap Dispenser Model V-SEN3020, Retrieved from <http://www.svavoexport.com/en/productview.asp?id=149> on Sep. 30, 2016, 1 page.

Sloan, ESD-250 Battery Powered Sensor Activated Electronic Soap Dispenser, Retrieved from <https://www.sloan.com/commercial-bathroom-products/soap-dispensers/optima/esd-250> on Sep. 30, 2016, 1 page.

Sloan, ESD-25085 Battery Powered Combination Sensor Activated Electronic Soap Dispenser and Sensor Faucet, Retrieved from <https://www.sloan.com/commercial-bathroom-products/soap-dispensers/optima/esd-25085> on Sep. 30, 2016, 1 page.

Sloan, ESD-350 Battery Powered Sensor Activated Electronic Soap Dispenser, Retrieved from <https://www.sloan.com/commercial-bathroom-products/soap-dispensers/optima/esd-350> on Sep. 30, 2016, 1 page.

\* cited by examiner

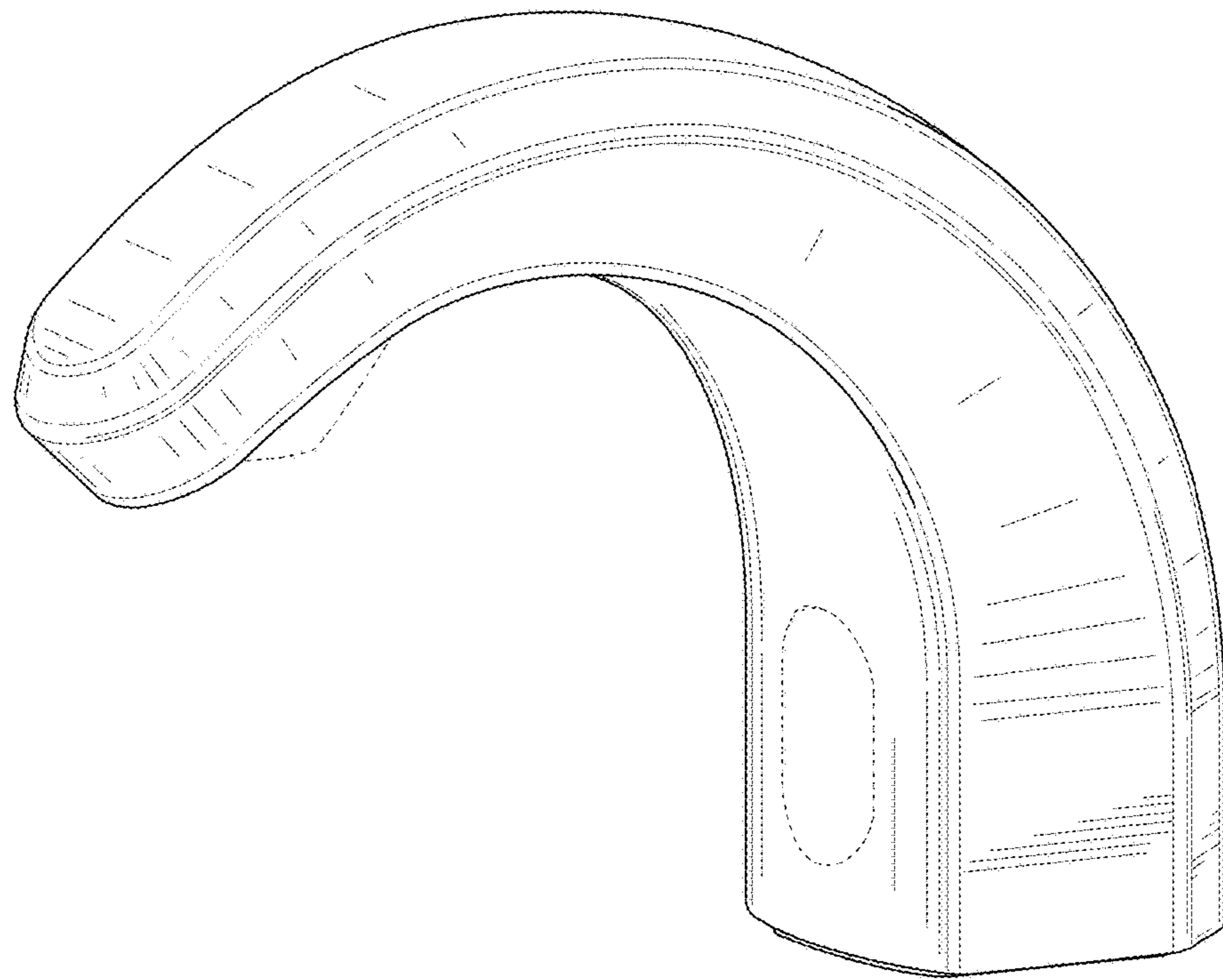
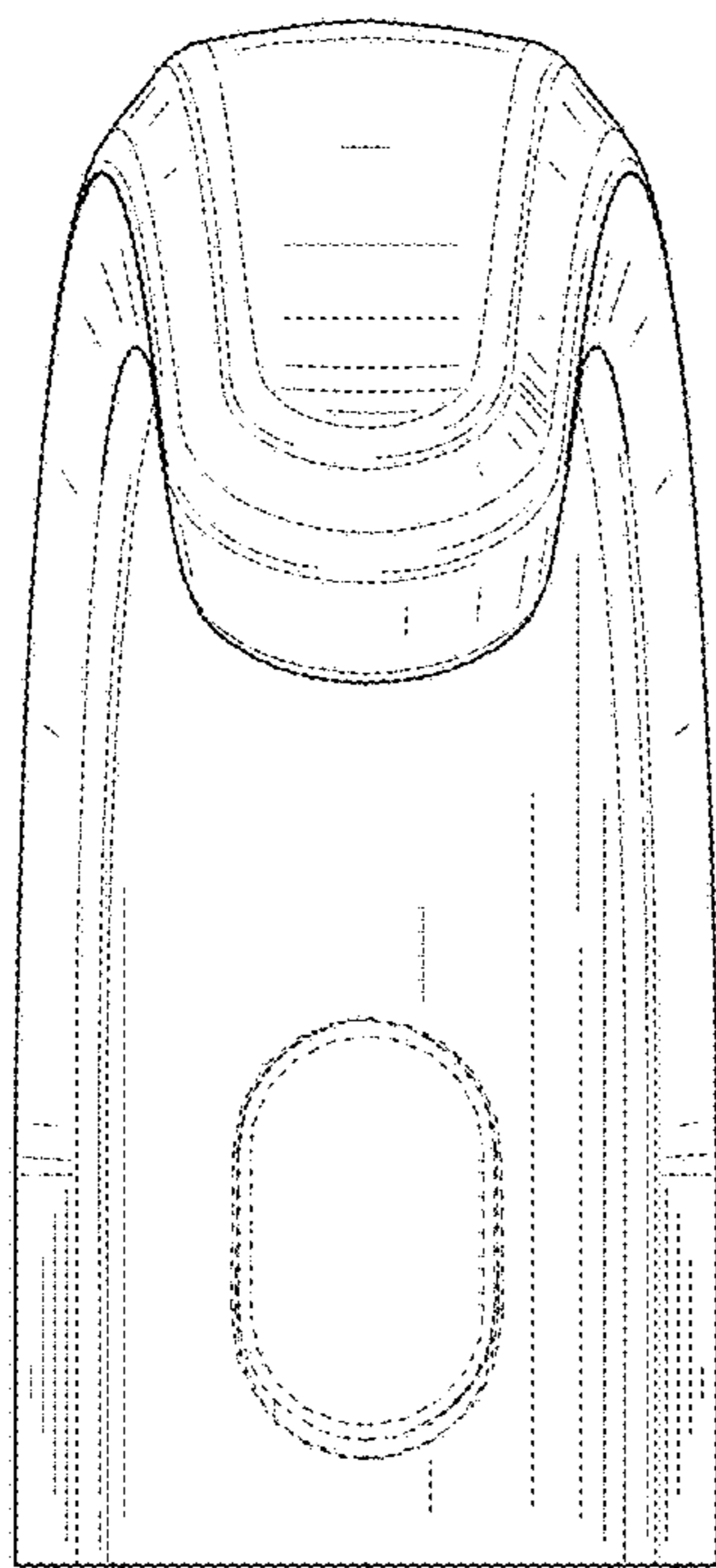
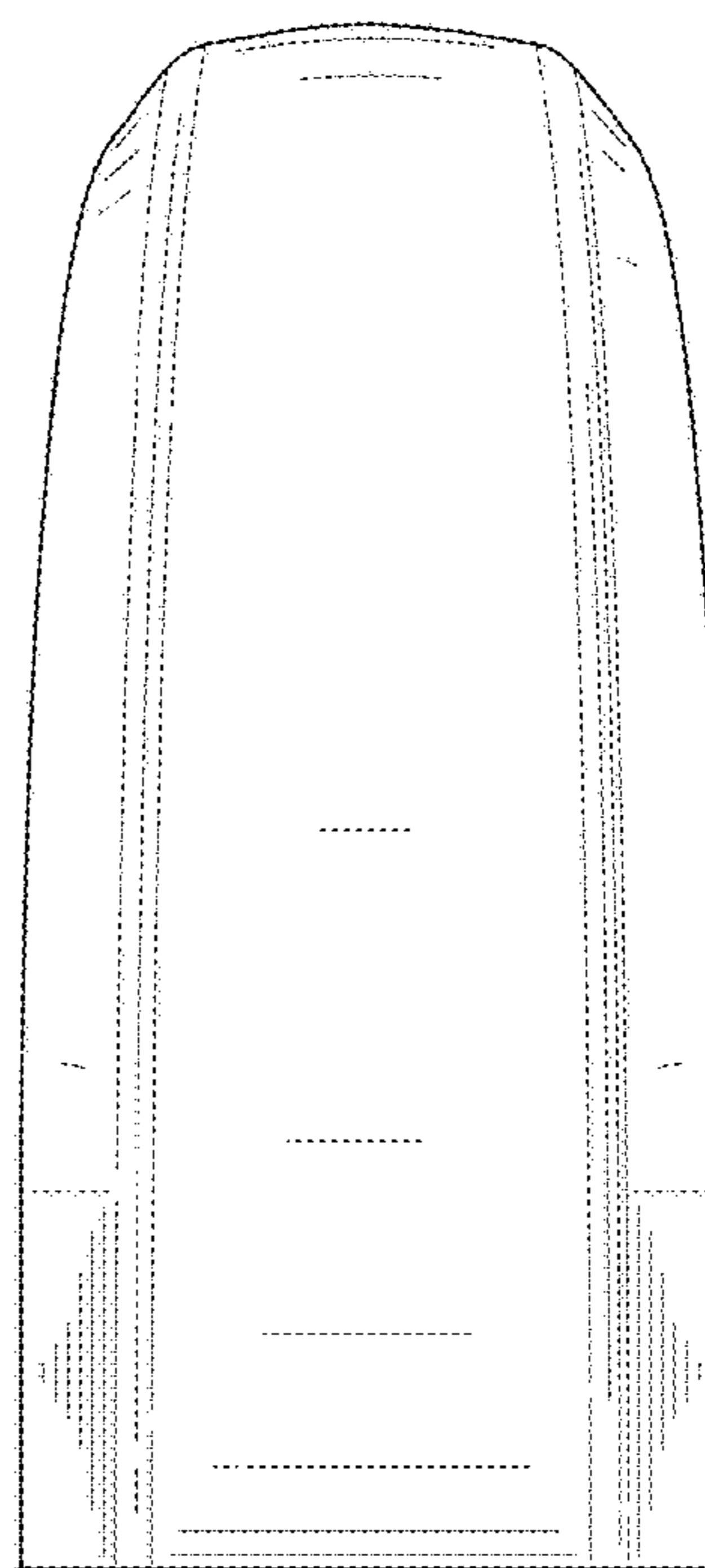


FIG. 1



**FIG. 2**



**FIG. 3**

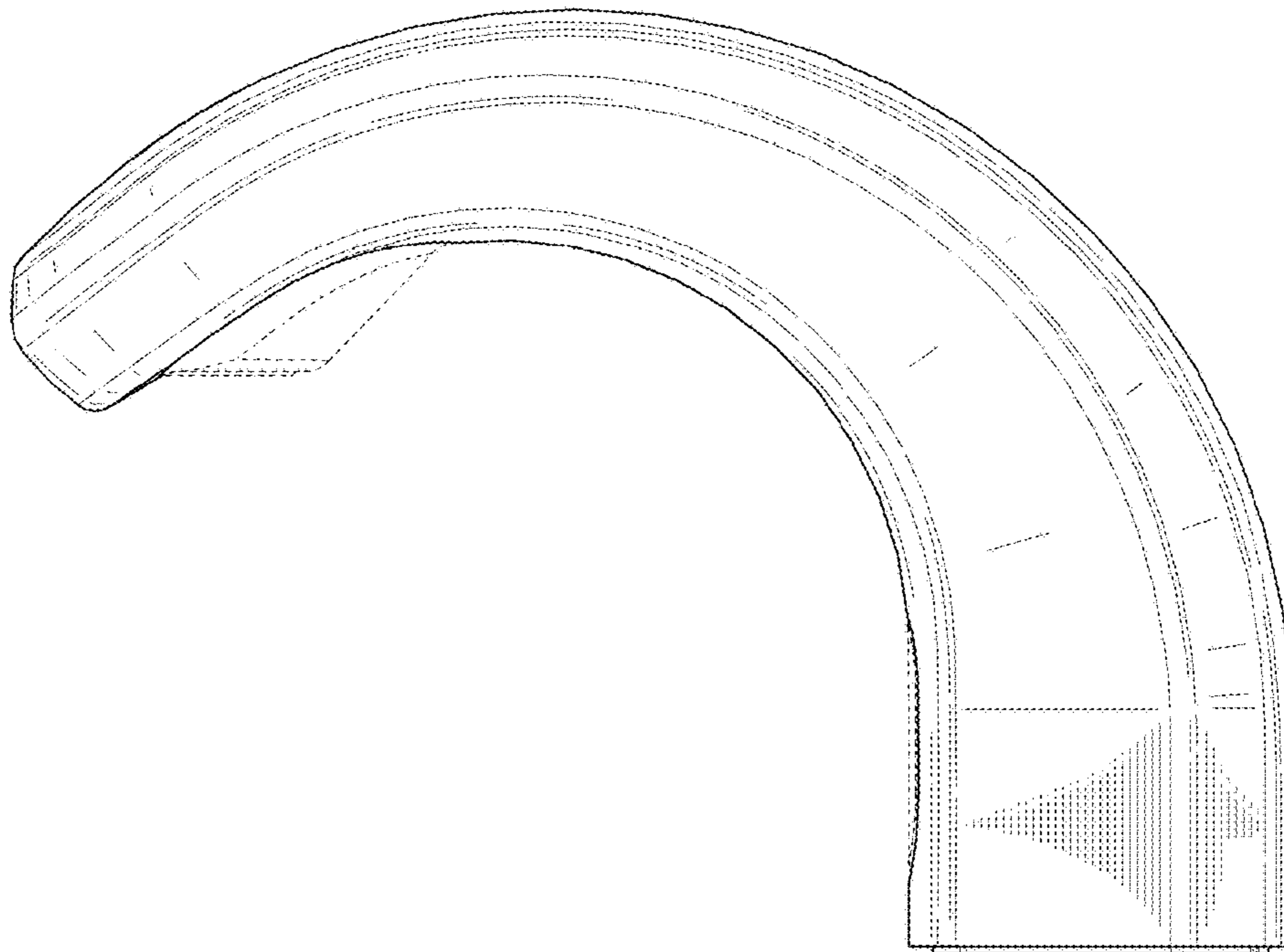


FIG. 4

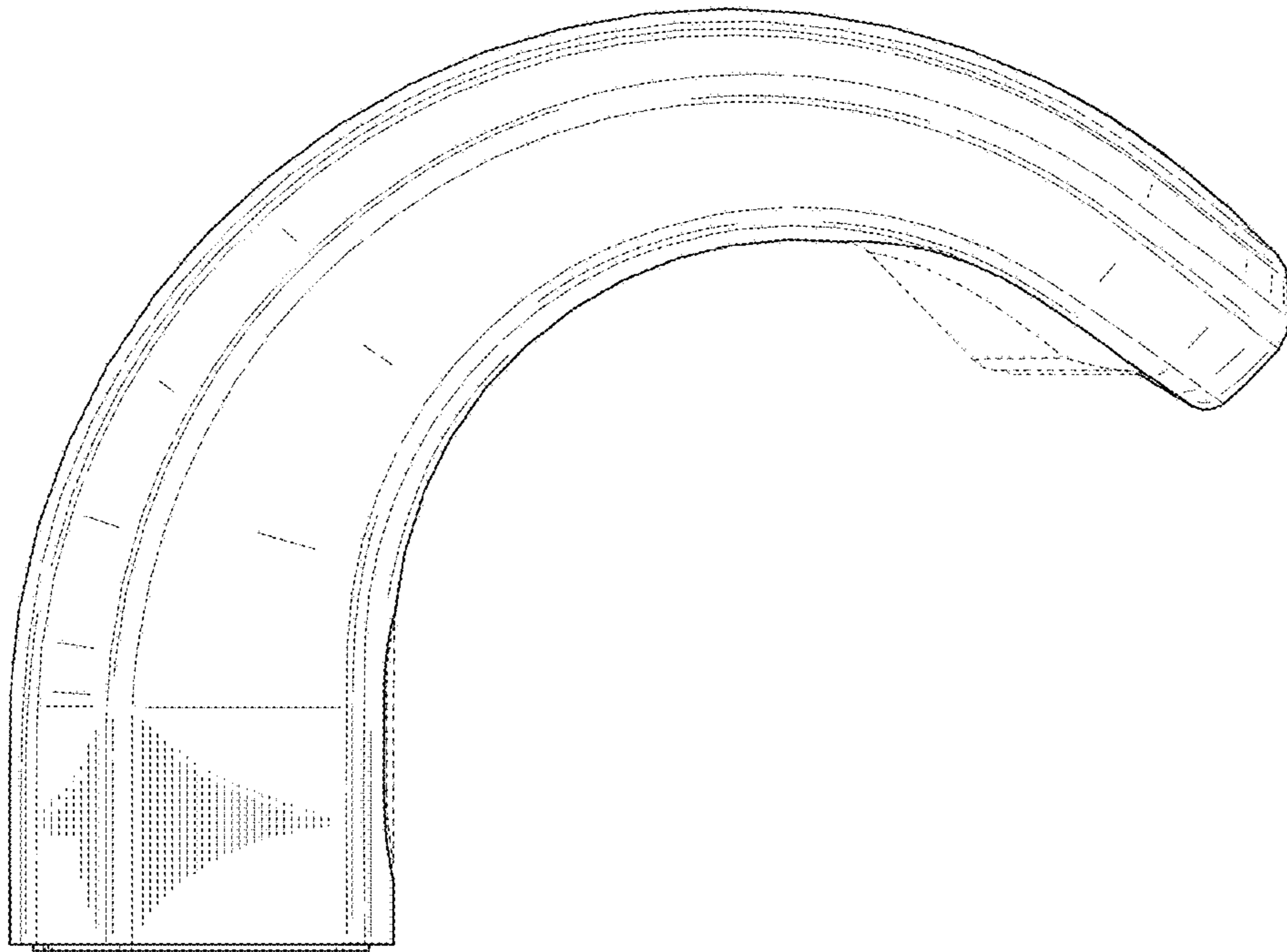


FIG. 5

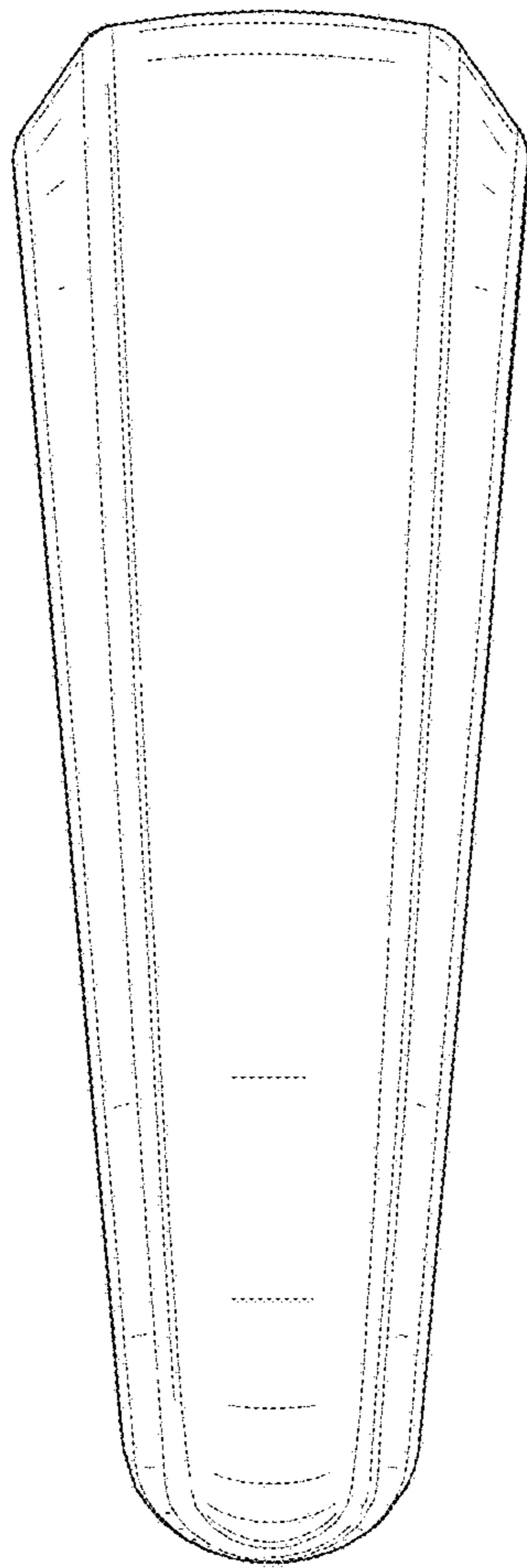


FIG. 6

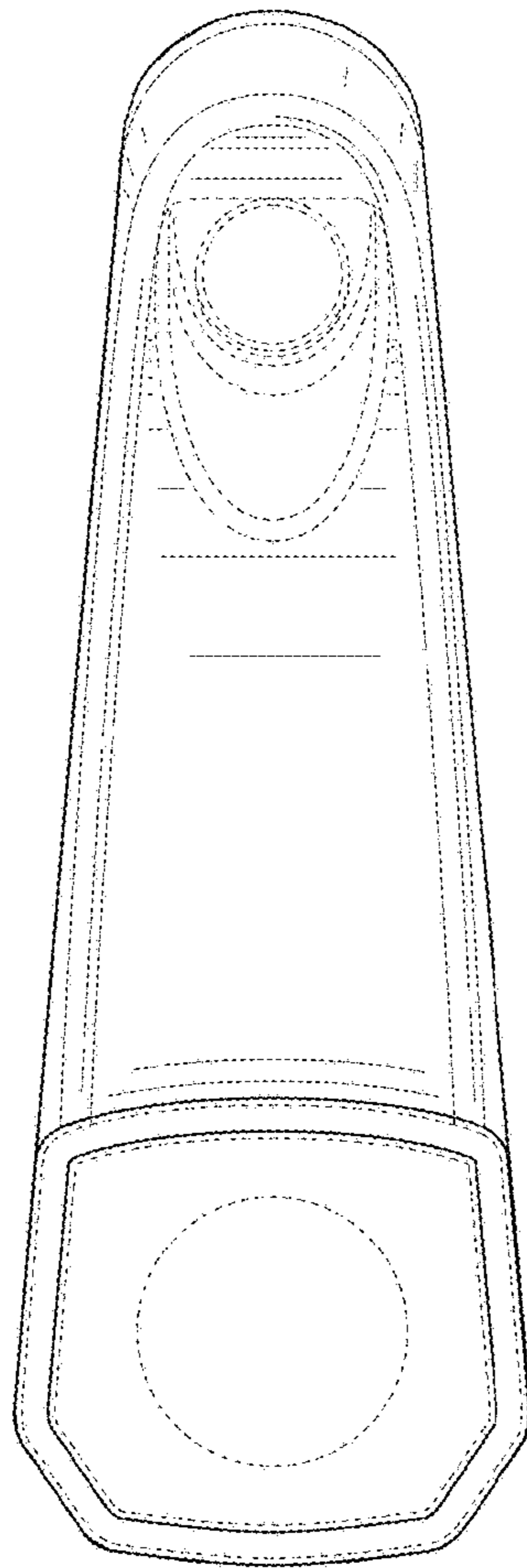


FIG. 7