



US00D853147S

(12) **United States Design Patent** (10) **Patent No.:** **US D853,147 S**  
**Chen** (45) **Date of Patent:** **\*\* Jul. 9, 2019**

(54) **LAPDESK**  
(71) Applicant: **Riling Chen**, Guangdong (CN)  
(72) Inventor: **Riling Chen**, Guangdong (CN)  
(\*\*) Term: **15 Years**  
(21) Appl. No.: **29/644,147**  
(22) Filed: **Apr. 16, 2018**  
(51) **LOC (11) Cl.** ..... **06-06**  
(52) **U.S. Cl.**  
USPC ..... **D6/406.5**  
(58) **Field of Classification Search**  
USPC ..... D6/406.1, 406.3, 406.5, 406.6, 512,  
D6/685-686, 691, 704, 705; D7/550.1,  
D7/552.2, 554.3, 555  
CPC ..... A47G 23/06; A47G 23/08; A47G 29/093  
See application file for complete search history.

D633,728 S \* 3/2011 Fabricatore ..... D6/406.5  
D641,024 S \* 7/2011 Zenri ..... D14/447  
D663,546 S \* 7/2012 Jennings ..... D6/406.3  
D701,089 S \* 3/2014 Lee ..... D7/554.3  
D701,213 S \* 3/2014 Pajic ..... D14/447  
D763,858 S \* 8/2016 Fluckiger ..... D14/440  
D776,452 S \* 1/2017 Glaser ..... D6/406.3  
9,582,086 B2 \* 2/2017 Schweiter, Jr. .... G06F 3/039  
D787,223 S \* 5/2017 Lu ..... D6/406.2  
D794,974 S \* 8/2017 Jennings ..... D6/406.3  
D797,109 S \* 9/2017 Pisapia ..... D14/447  
D843,752 S \* 3/2019 Sullins ..... D6/406.5

\* cited by examiner

*Primary Examiner* — Kelley A Donnelly  
(74) *Attorney, Agent, or Firm* — Justin Lampel

(57) **CLAIM**

The ornamental design for a lapdesk, as shown and described.

**DESCRIPTION**

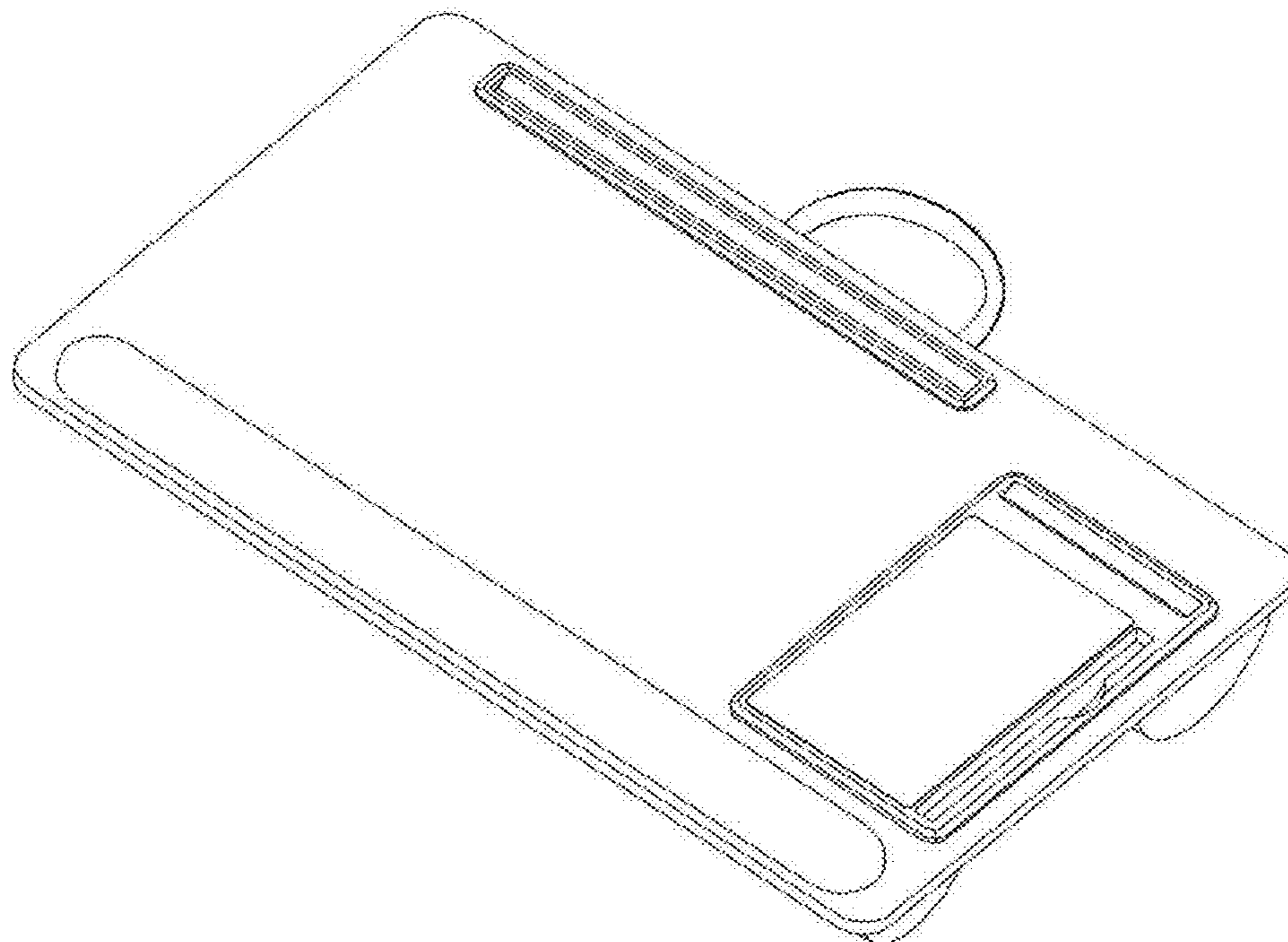
FIG. 1 is a perspective view of a lapdesk showing my new design;  
FIG. 2 is a perspective view of a lapdesk;  
FIG. 3 is a front side view thereof;  
FIG. 4 is a rear side view thereof;  
FIG. 5 is a right side view thereof;  
FIG. 6 is a left side view thereof;  
FIG. 7 is a bottom plan view thereof; and,  
FIG. 8 is a top plan view thereof.

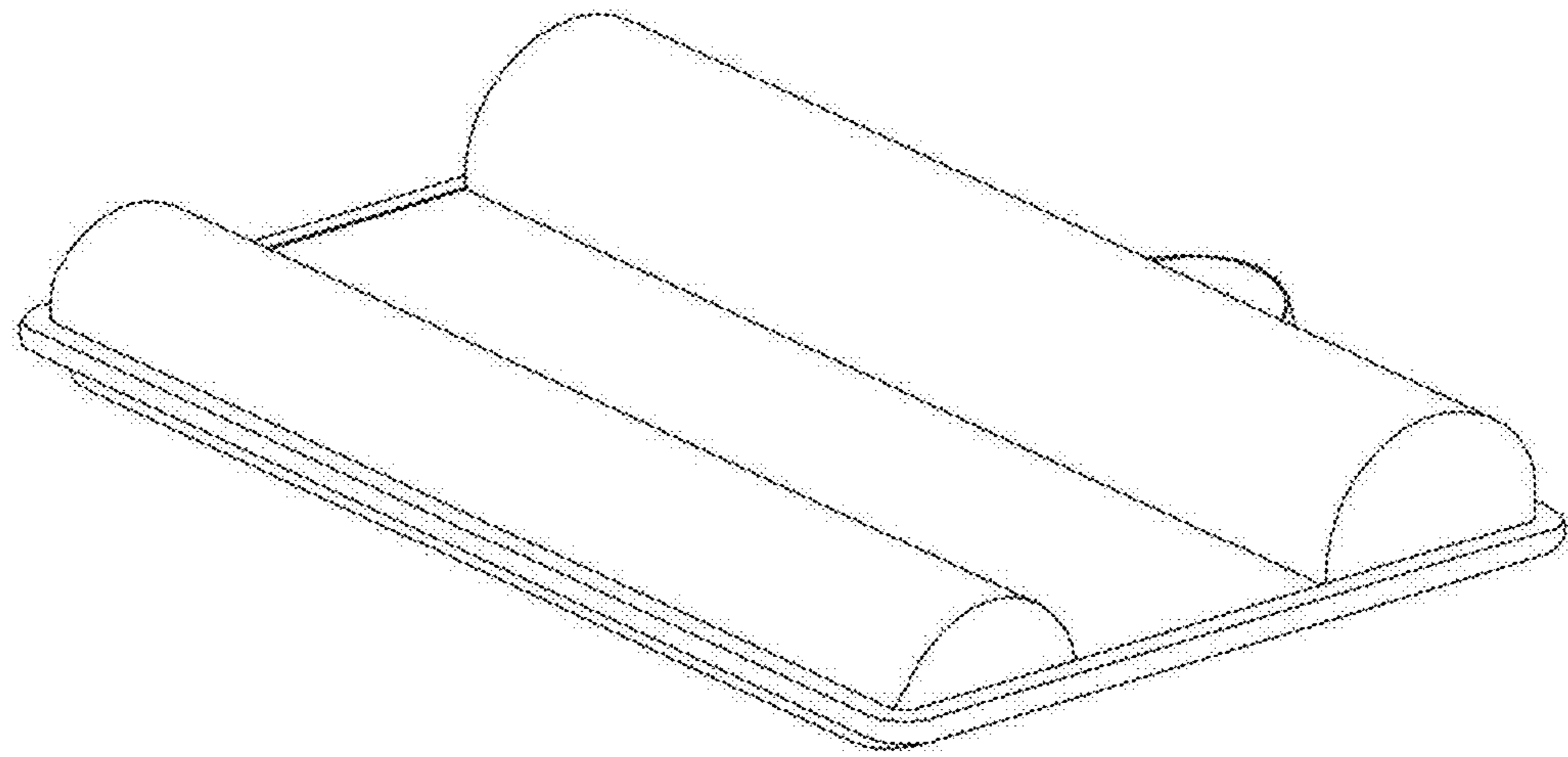
**1 Claim, 6 Drawing Sheets**

(56) **References Cited**

**U.S. PATENT DOCUMENTS**

5,081,936 A \* 1/1992 Drieling ..... B60N 3/002  
108/25  
D356,009 S \* 3/1995 Branch ..... D6/406.5  
D499,575 S \* 12/2004 Chan ..... D6/406.3  
D512,245 S \* 12/2005 Bean ..... D6/406.3  
D517,833 S \* 3/2006 Jennings ..... D6/406.5  
D575,077 S \* 8/2008 Kessels ..... D6/406.3  
D583,164 S \* 12/2008 Jennings ..... D6/406.6  
D606,774 S \* 12/2009 Kohli ..... D6/406.6  
D609,027 S \* 2/2010 Jennings ..... D6/406.5  
D619,823 S \* 7/2010 Jennings ..... D6/406.3





**FIG. 1**

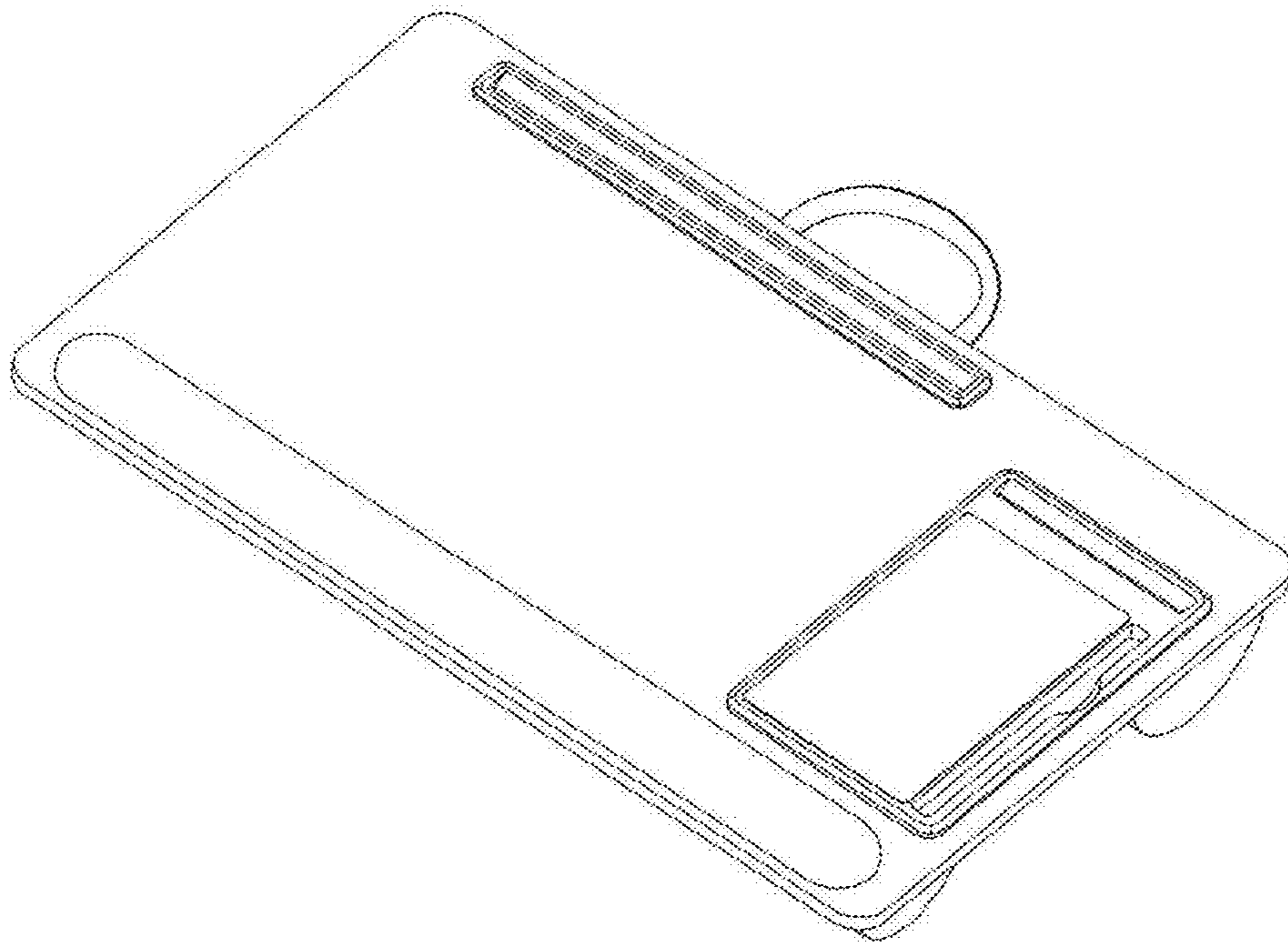
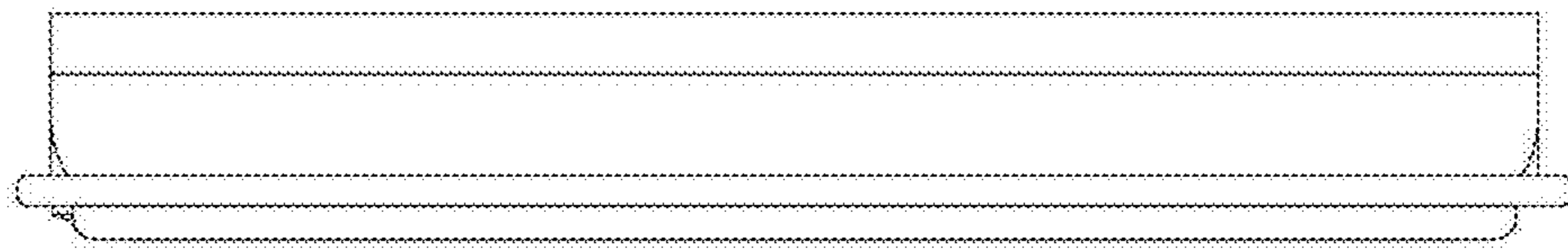
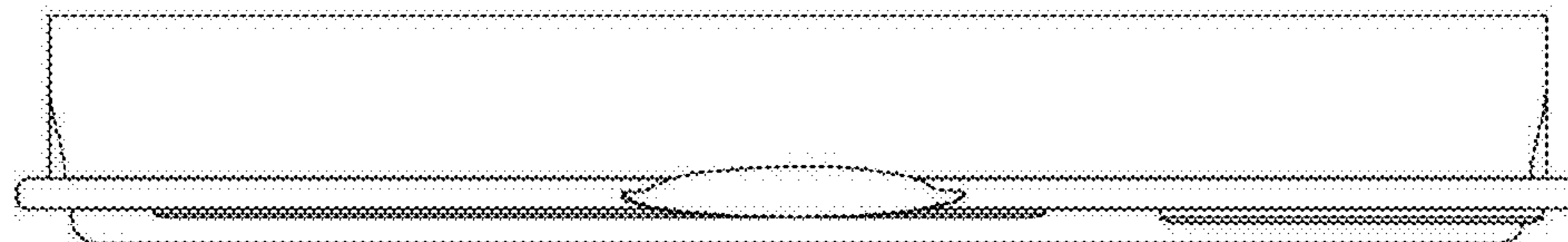


FIG. 2



**FIG. 3**



**FIG. 4**

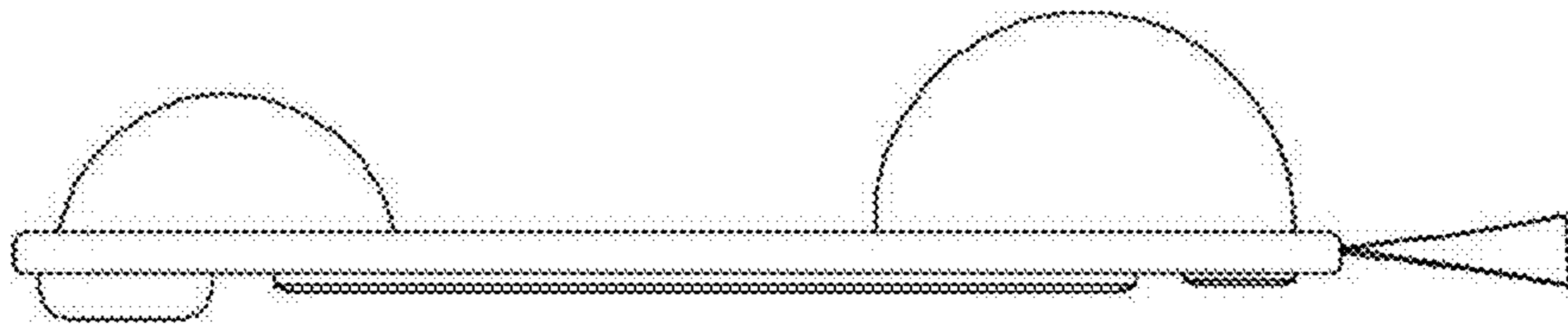


FIG. 5

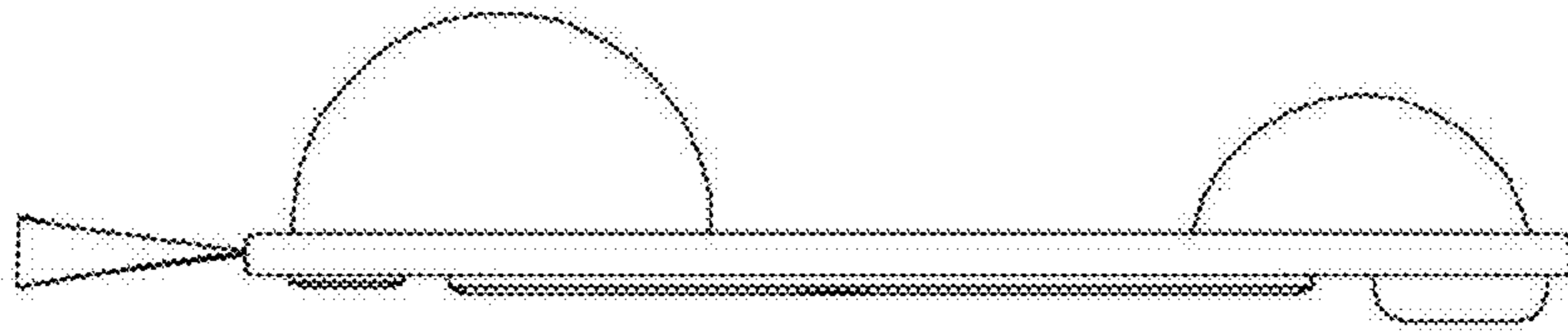


FIG. 6

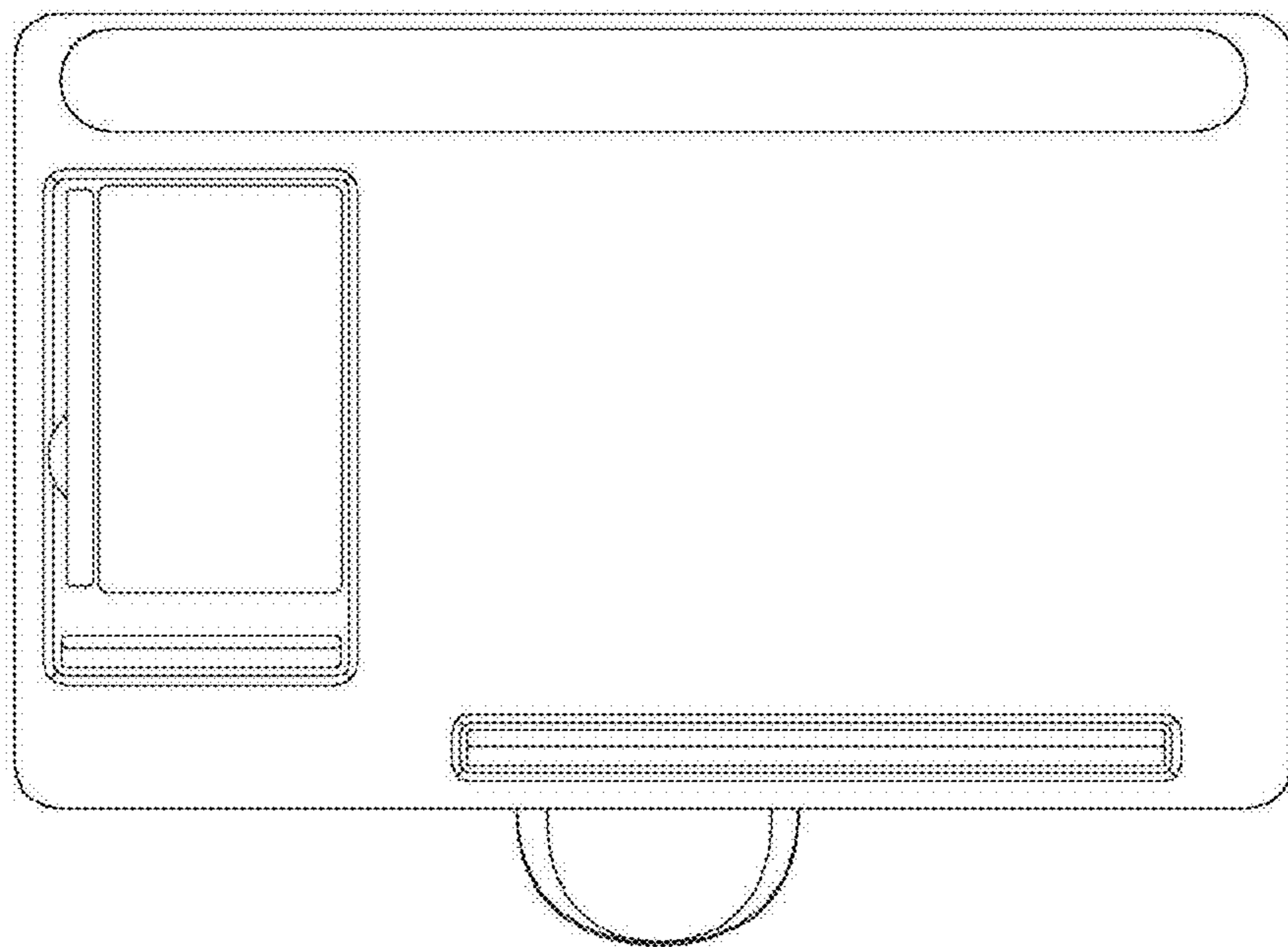
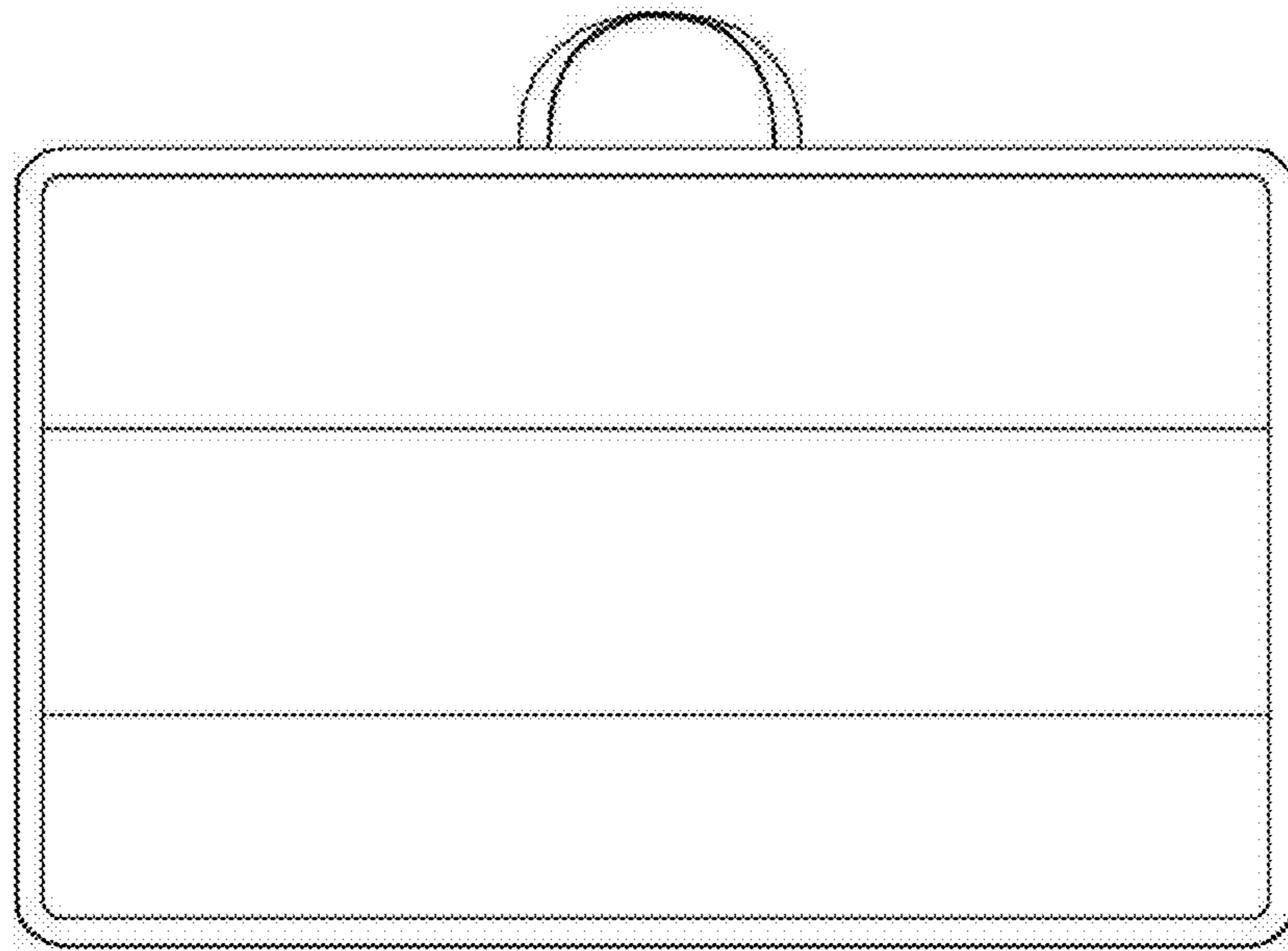


FIG. 7



**FIG. 8**