



US00D853139S

(12) **United States Design Patent** (10) **Patent No.:** **US D853,139 S**
Shen (45) **Date of Patent:** **** Jul. 9, 2019**

(54) **RECLINER**

(71) Applicant: **Yinuo Shen**, Cixi (CN)

(72) Inventor: **Yinuo Shen**, Cixi (CN)

(**) Term: **15 Years**

(21) Appl. No.: **29/678,788**

(22) Filed: **Jan. 31, 2019**

(51) **LOC (11) Cl.** **06-01**

(52) **U.S. Cl.**
USPC **D6/367**

(58) **Field of Classification Search**

USPC D6/334-336, 364, 367, 371, 373, 374,
D6/381, 716, 716.1, 716.2, 716.4

CPC A47C 1/02; A47C 1/023; A47C 1/024;
A47C 1/028; A47C 4/028; A47C 7/50

See application file for complete search history.

(56) **References Cited**

U.S. PATENT DOCUMENTS

D235,944 S *	7/1975	Long	D6/364
D351,509 S	10/1994	Goldberg		
6,557,942 B1 *	5/2003	Shieh	A47C 4/028 297/440.15
D485,689 S	1/2004	Boydak		
D509,080 S	9/2005	Lowman		
D824,684 S *	8/2018	Dix	D6/367
D824,685 S *	8/2018	Dix	D6/367

OTHER PUBLICATIONS

“Stone & Beam Marin Leather Recliner, 30"W, Driftwood”, retrieved on Jan. 22, 2019, retrieved from Internet, <https://www.amazon.com/>

Stone-Beam-Leather-Recliner-Driftwood/dp/B075X4F5NM/ref=sr_1_1_sspa?ie=UTF8&qid=1548922237&sr=8-1-spons&keywords=Marin+Leather+Recliner&psc=1.

“Parkside Deluxe Padded Contemporary Yellow Vinyl Kids Recliner with Storage Arms”, retrieved on Jan. 22, 2019, retrieved from Internet, https://www.amazon.com/Parkside-Deluxe-Contemporary-Recliner-Storage/dp/B077GD6PXH/ref=sr_1_2_sspa?ie=UTF8&qid=1548921173&sr=8-2-spons&keywords=Recliner+YELLOW&psc=1.

“Heated Rocking Sofa Gliders Lounge Chairs Heated w/Control Linen Surface Padded Seat Home Theater Seating for Living Room (M, Black)”, retrieved on Jan. 22, 2019, retrieved from Internet, https://www.amazon.com/Massage-Recliner-Chair-Ergonomic-Rocking/dp/B07L8FFGS5/ref=sr_1_107?s=furniture&ie=UTF8&qid=1548920684&sr=1-107&keywords=Recliner.

* cited by examiner

Primary Examiner — Mimosa De

(57) **CLAIM**

The ornamental design for a recliner, as shown and described.

DESCRIPTION

FIG. 1 is a perspective view of a recliner showing my new design;

FIG. 2 is another perspective view thereof;

FIG. 3 is a front elevational view thereof;

FIG. 4 is a rear elevational view thereof;

FIG. 5 is a left side elevational view thereof;

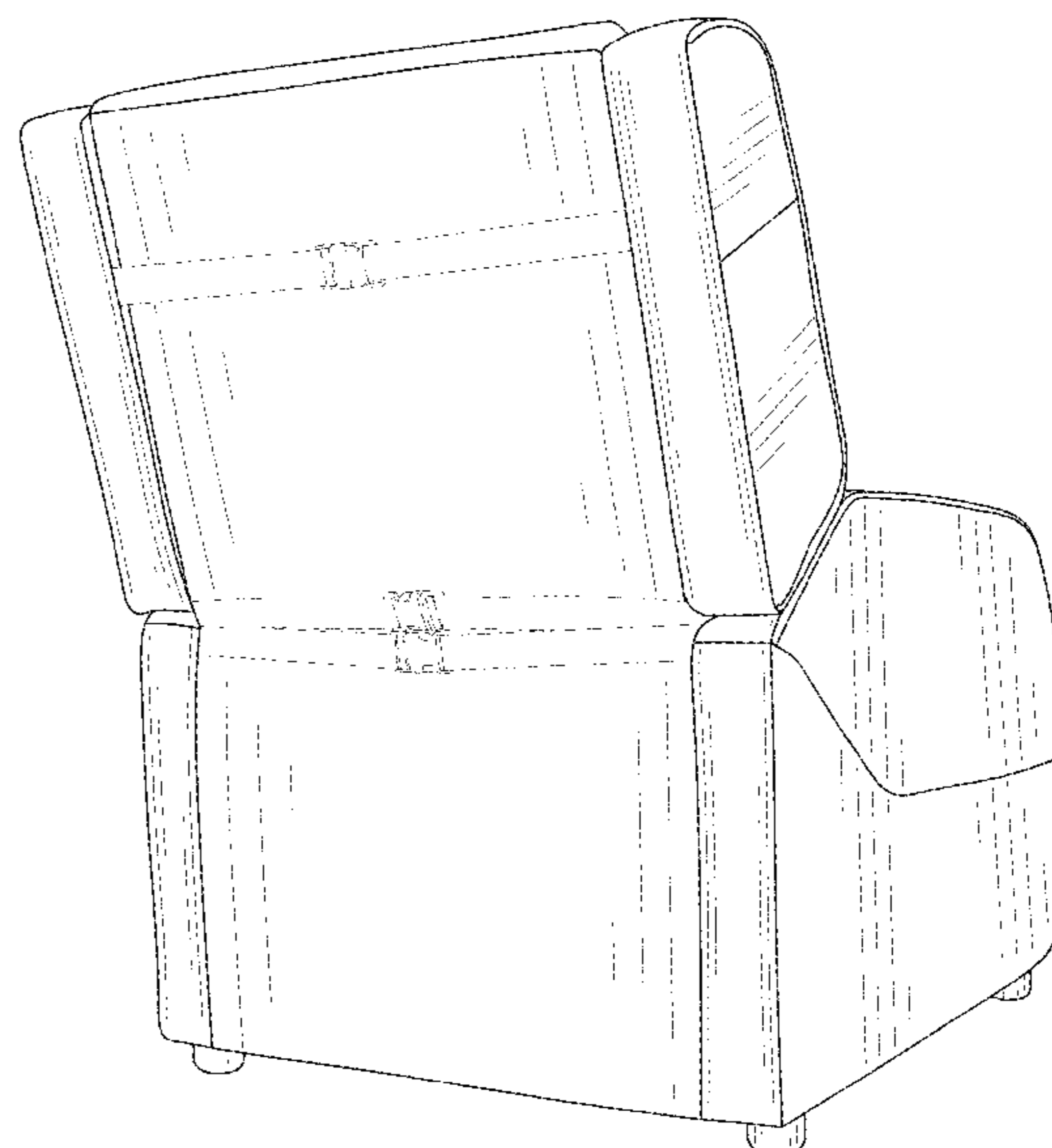
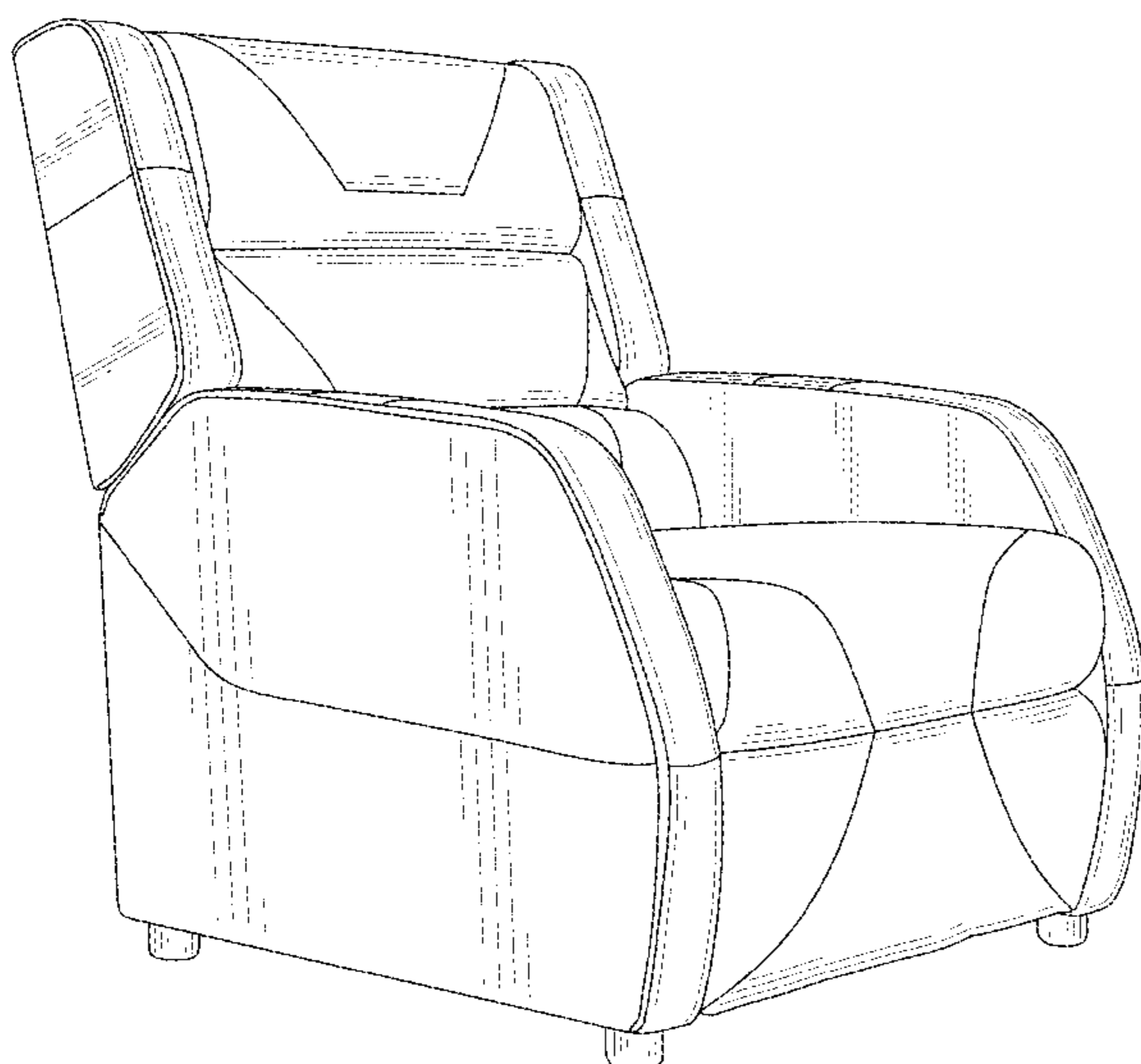
FIG. 6 is a right side elevational view thereof;

FIG. 7 is a top plan view thereof; and,

FIG. 8 is a bottom plan view thereof.

The broken lines shown in the drawing are for the purpose of illustrating environmental structure and form no part of the claimed design.

1 Claim, 8 Drawing Sheets



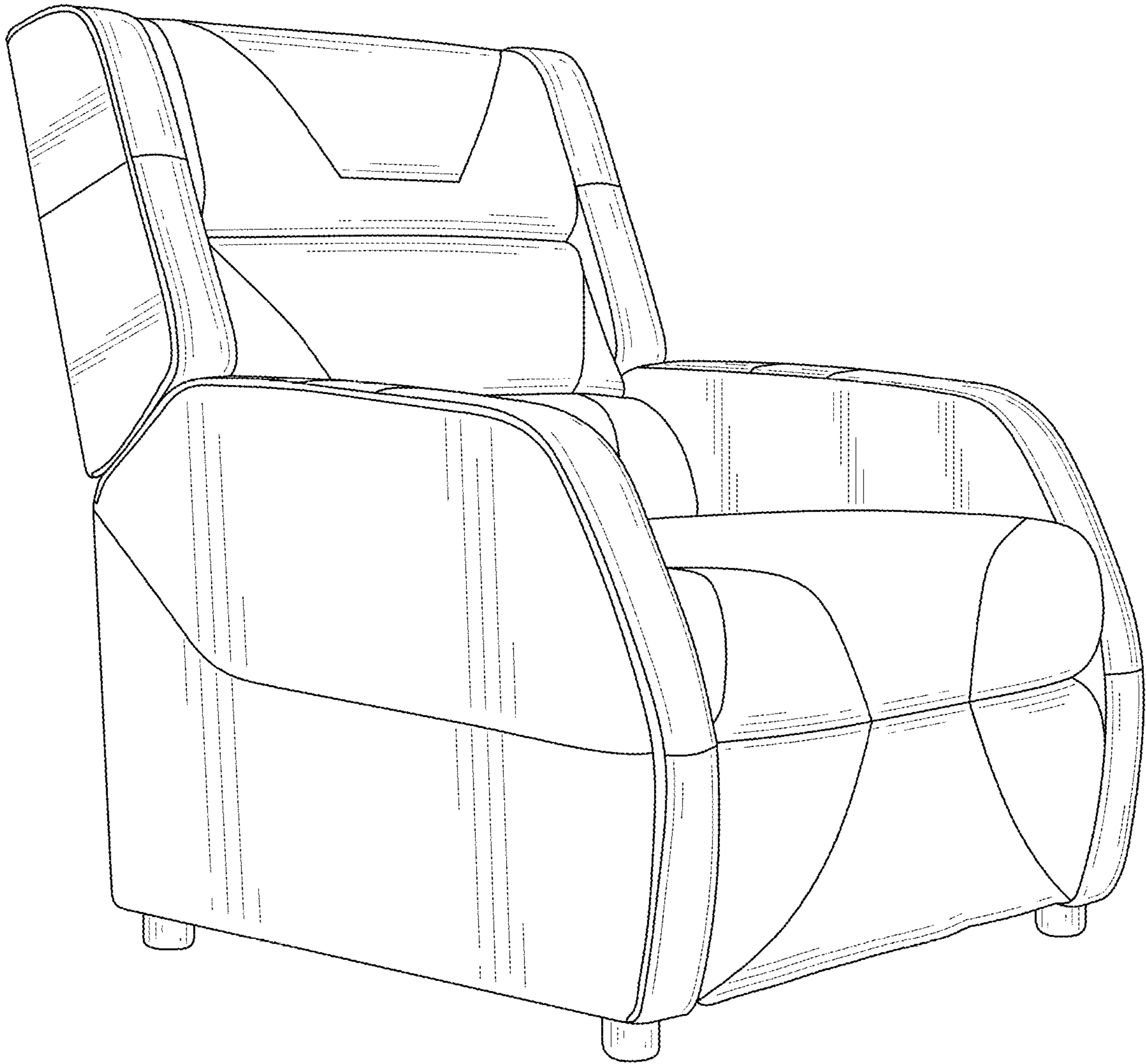


FIG. 1

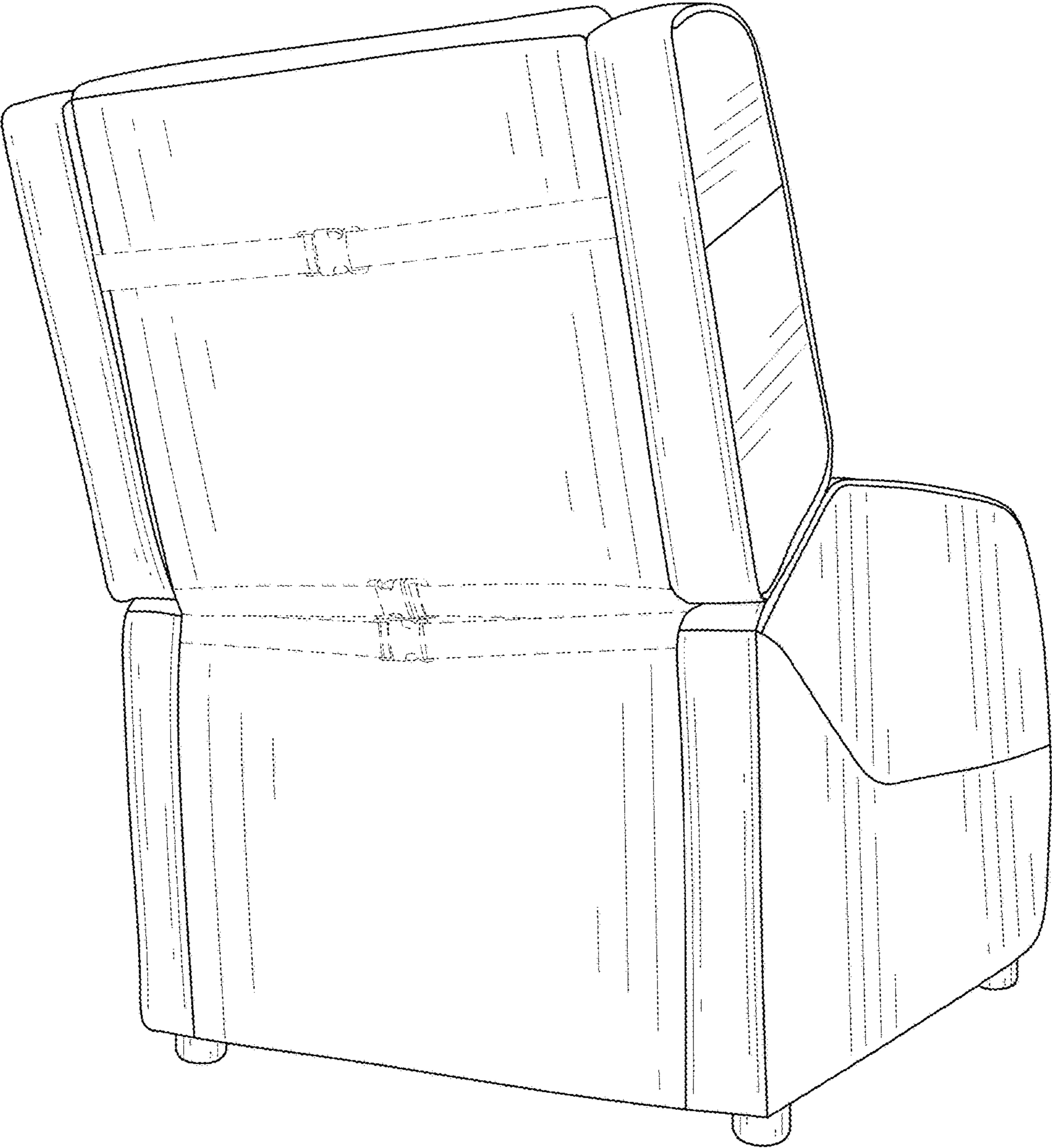


FIG. 2

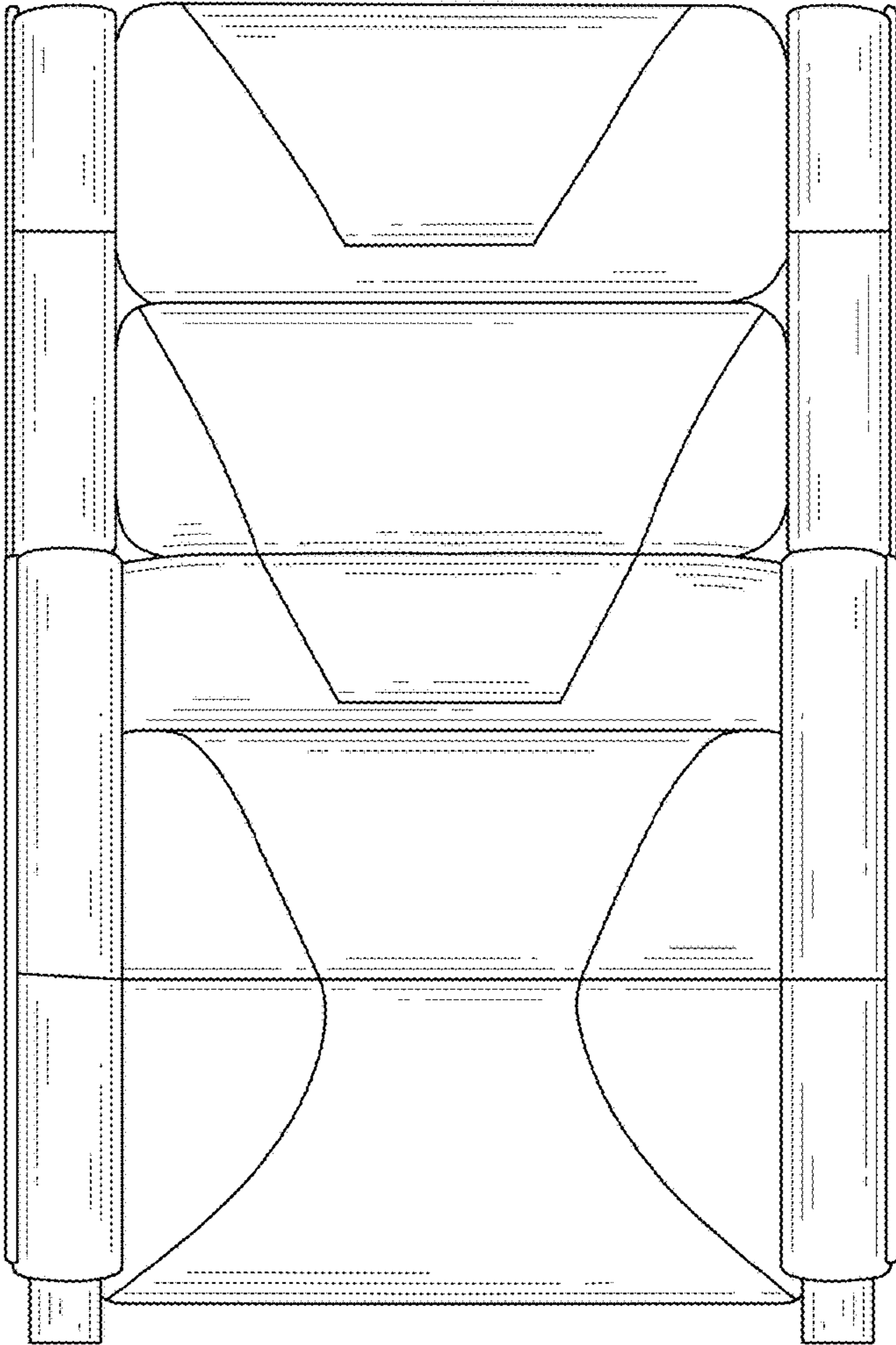


FIG. 3

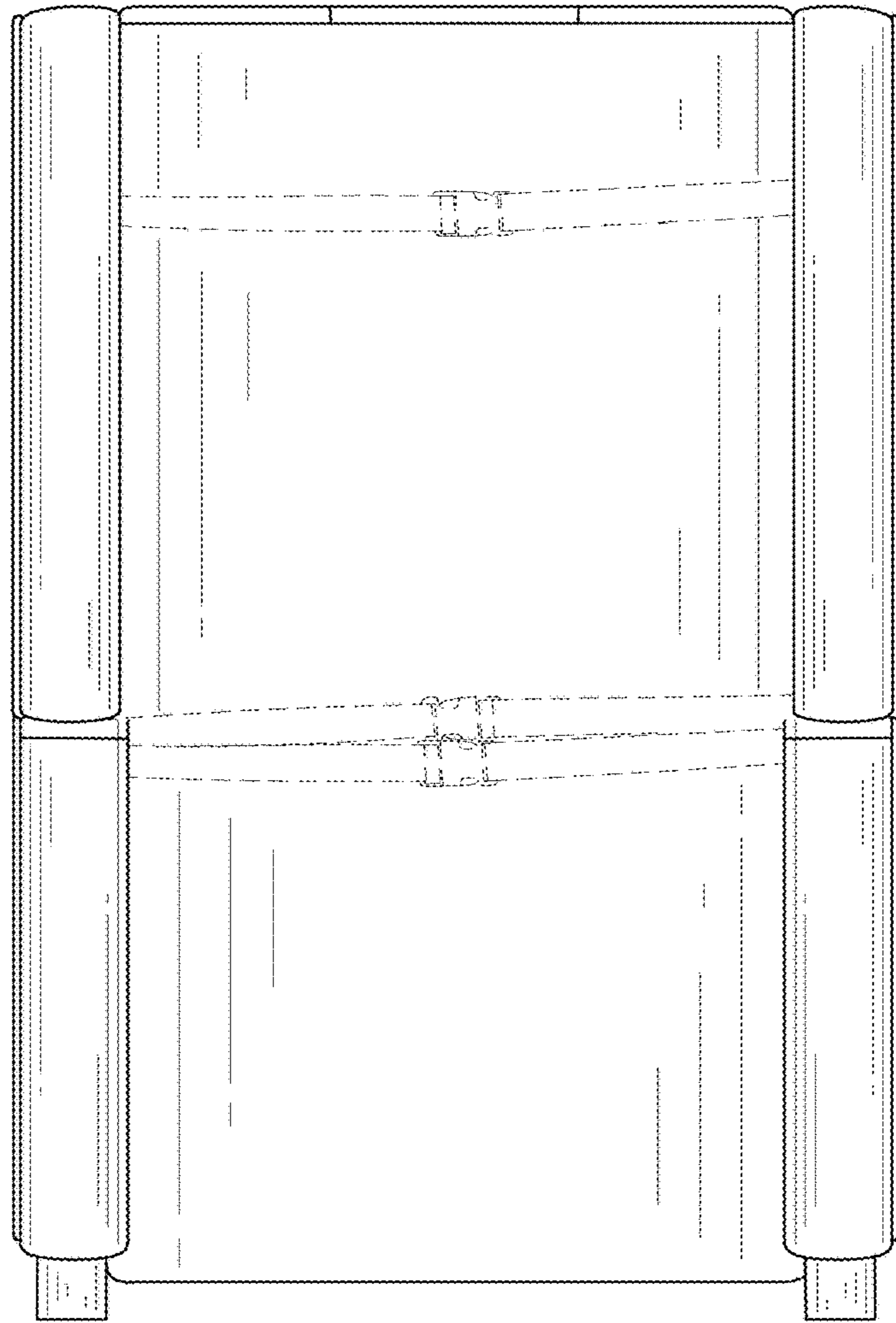


FIG. 4

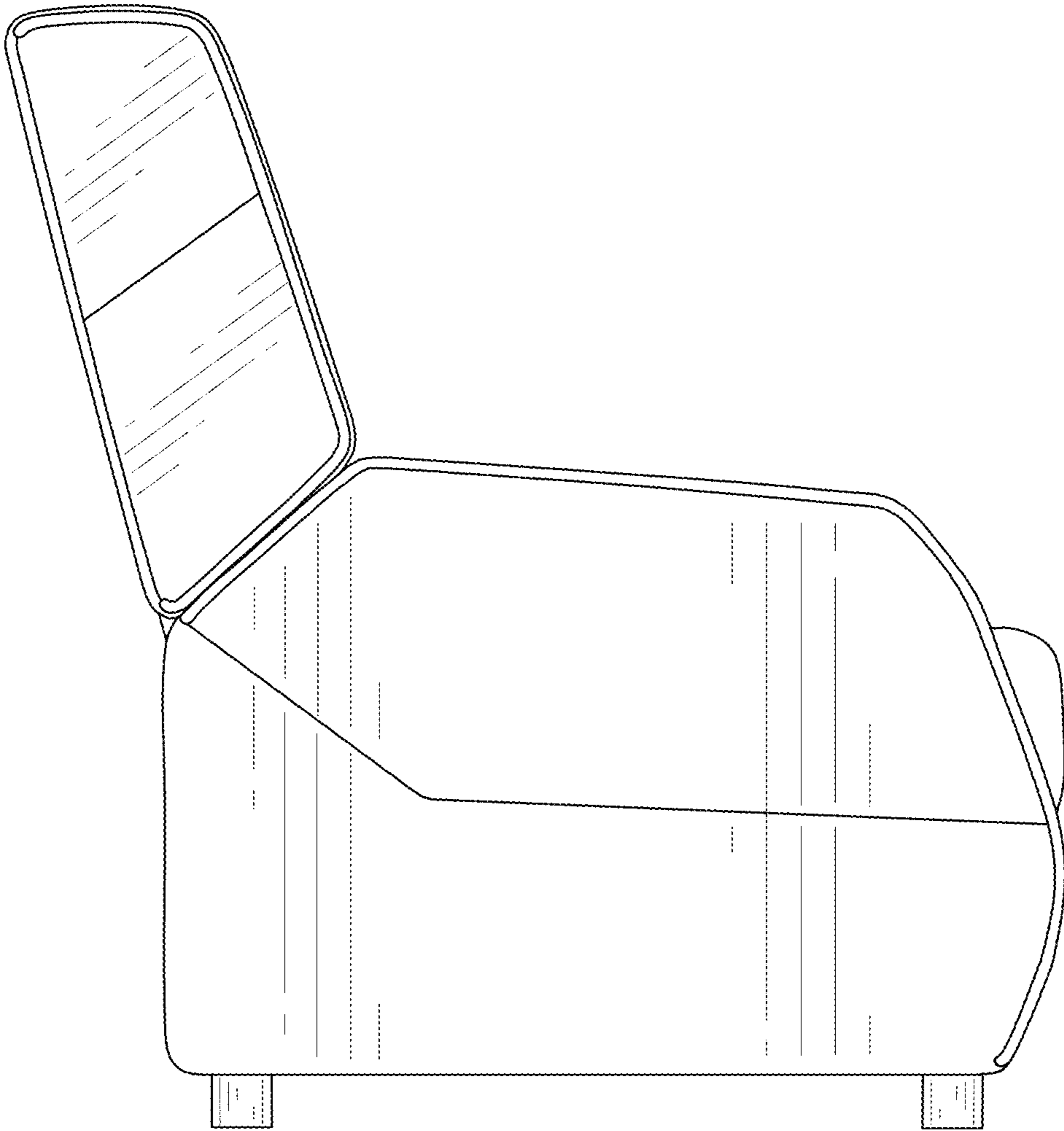


FIG. 5

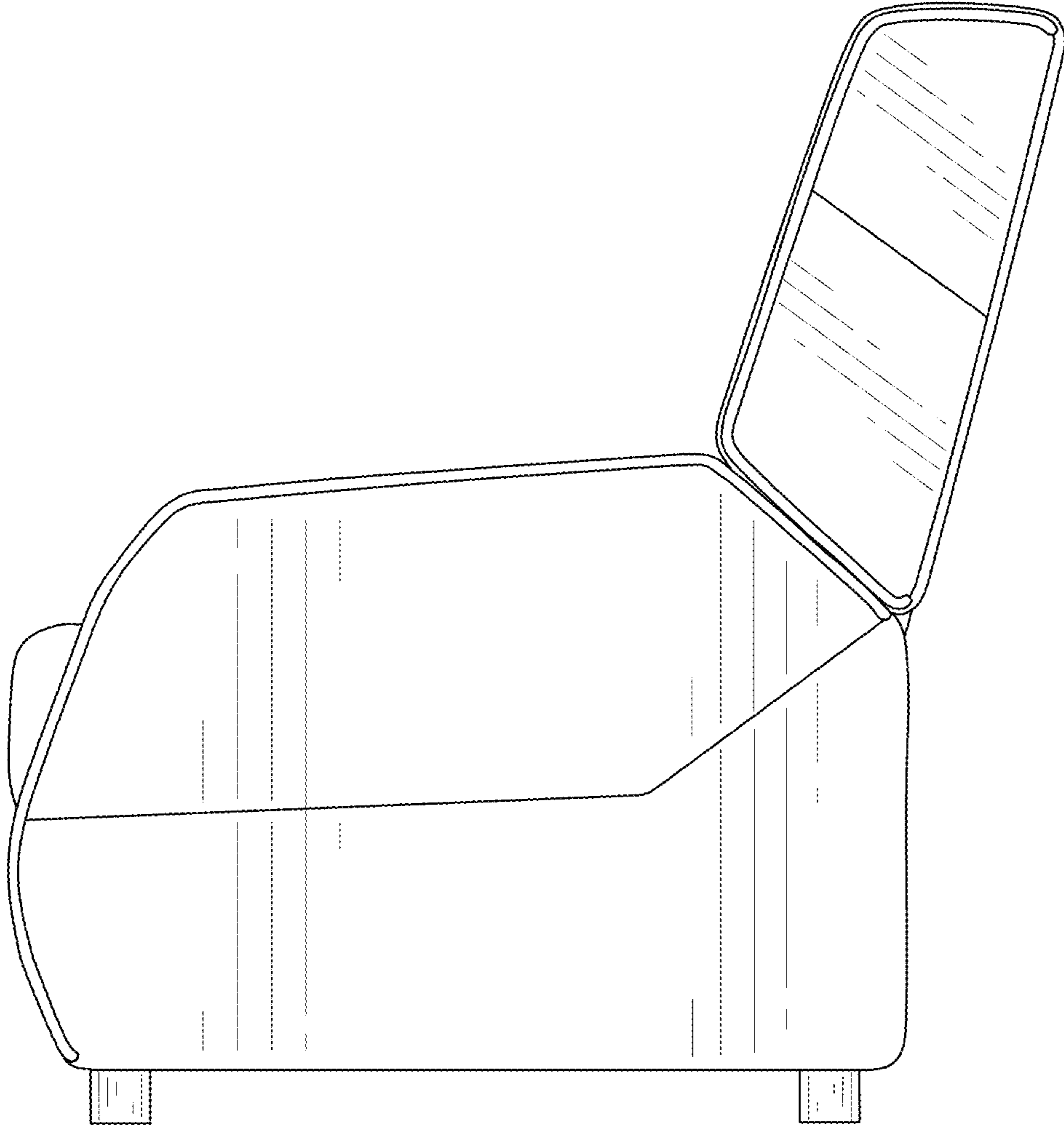


FIG. 6

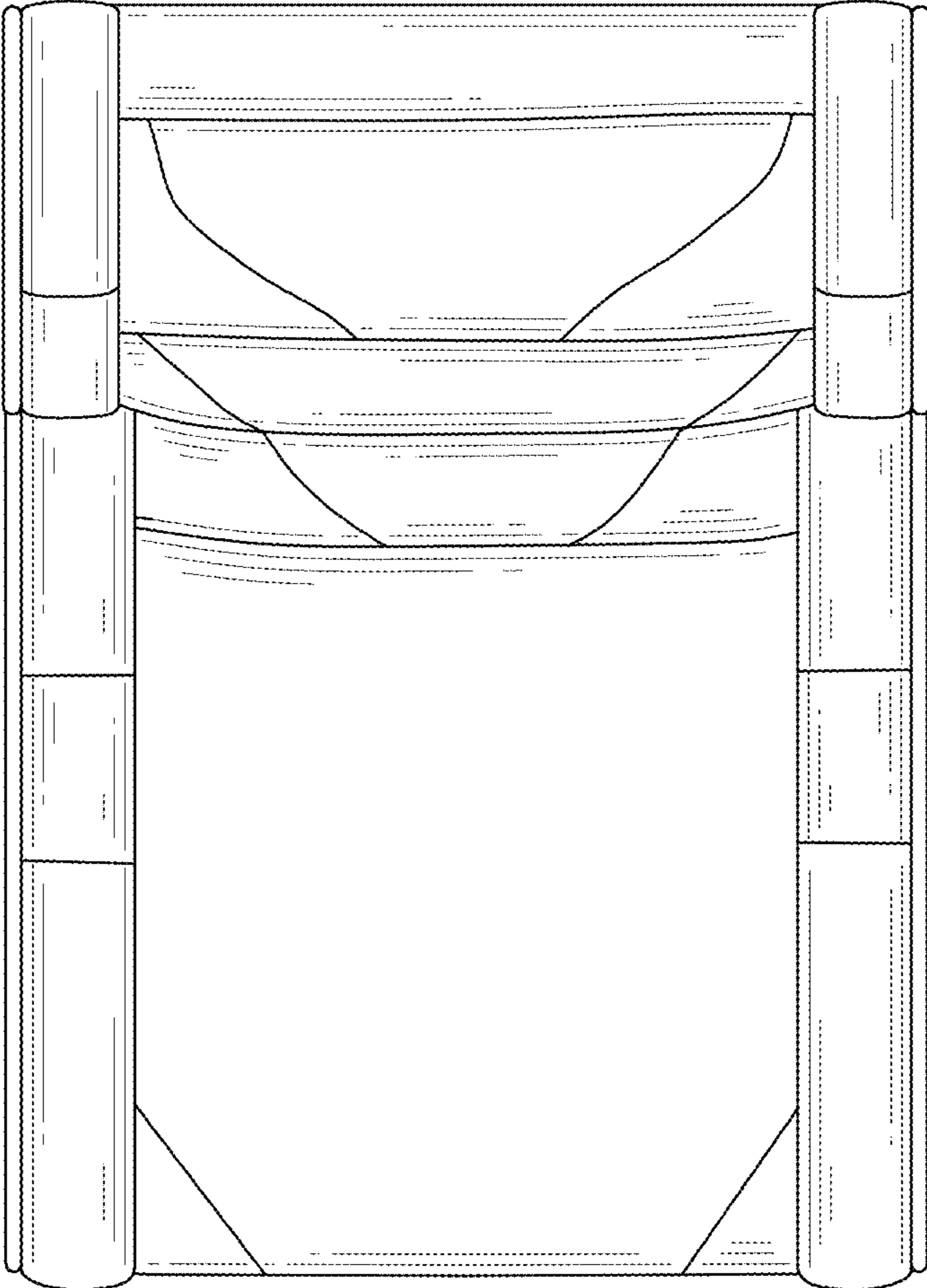


FIG. 7

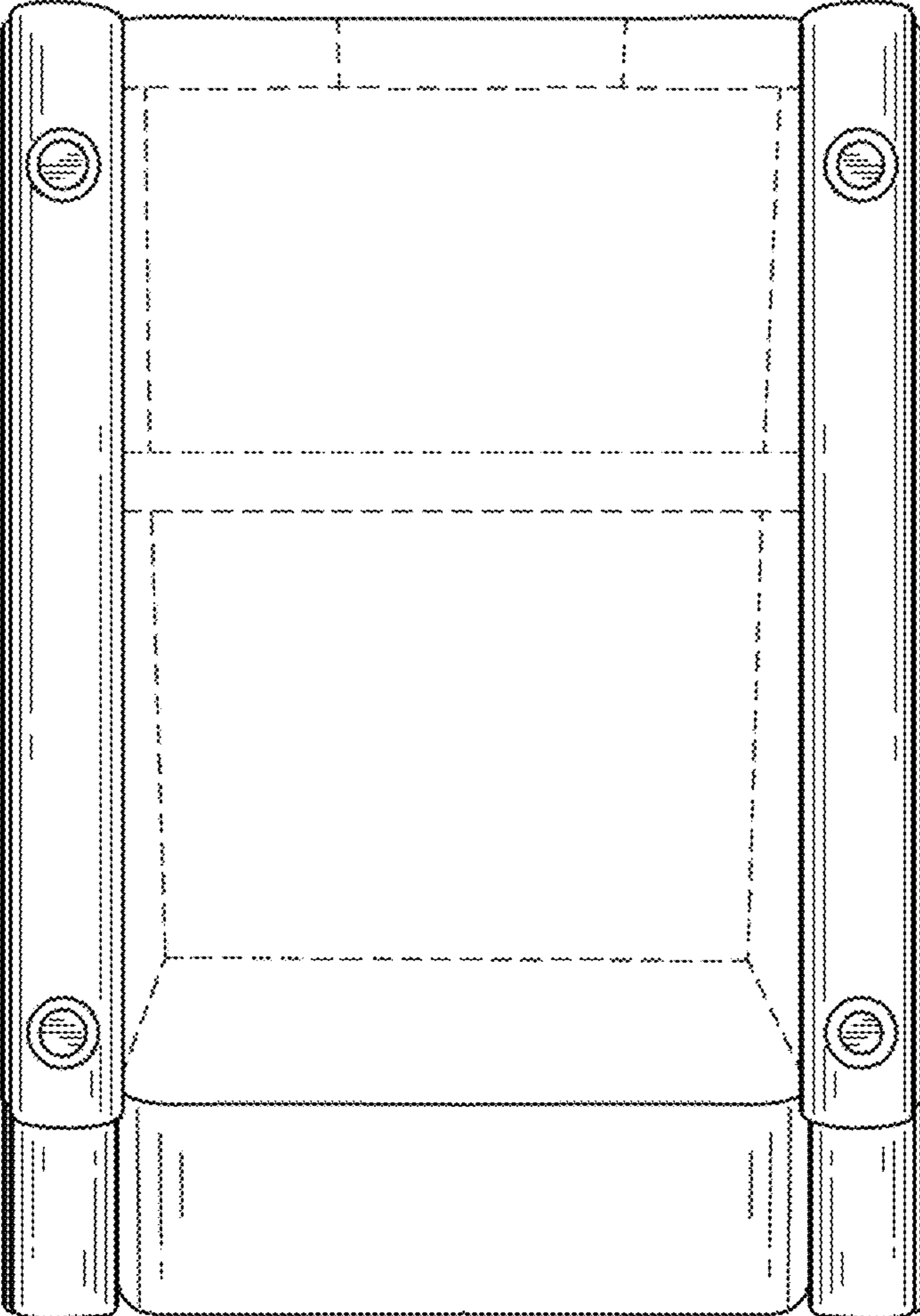


FIG. 8