



US00D853138S

(12) **United States Design Patent** (10) **Patent No.:** **US D853,138 S**
Aubry (45) **Date of Patent:** **** Jul. 9, 2019**

(54) **OTTOMAN**
(71) Applicant: **RH US, LLC**, Corte Madera, CA (US)
(72) Inventor: **Clodagh Aubry**, New York, NY (US)
(73) Assignee: **RH US, LLC**, Corte Madera, CA (US)
(**) Term: **15 Years**

D687,639 S * 8/2013 Grotta D6/349
D687,640 S * 8/2013 Pedersen D6/349
D698,562 S * 2/2014 Hartman D6/369
D726,460 S * 4/2015 Arnon D6/689
D806,413 S * 1/2018 Zinger D6/349
D839,624 S * 2/2019 Aubry D6/369
D840,165 S * 2/2019 Tham D6/335

(21) Appl. No.: **29/630,663**
(22) Filed: **Dec. 21, 2017**
(51) **LOC (11) Cl.** **06-01**
(52) **U.S. Cl.**
USPC **D6/349**; D6/369
(58) **Field of Classification Search**
USPC D6/334-338, 340-343, 349-353, 355,
D6/364-365, 369, 691-691.9, 692-692.6;
D25/65
CPC A47B 7/00-02; A47C 11/00; A47C 13/00;
A47C 16/00; A47C 16/02-04; A47C
9/00-105; A47C 17/02; A47C 17/028
See application file for complete search history.

OTHER PUBLICATIONS

Rosecliff Heights Meeks Outdoor Ottoman with Cushion & Reviews.
[online] Published on Mar. 27, 2017. Retrieved Feb. 26, 2019 from
URL: <https://www.wayfair.com/outdoor/pdp/rosecliff-heights-meeks-outdoor-ottoman-with-cushion-w001426453.html>.*

* cited by examiner

Primary Examiner — Vy N Koenig
(74) *Attorney, Agent, or Firm* — Lewis Roca Rothgerber
Christie LLP

(57) **CLAIM**

The ornamental design for an ottoman, as shown and described.

DESCRIPTION

FIG. 1 is a front and right side perspective view of an exemplary ottoman showing my new design;
FIG. 2 is a front elevation view thereof, the rear being a mirror image;
FIG. 3 is a right side elevation view thereof, the left side being a mirror image;
FIG. 4 is a top plan view thereof; and,
FIG. 5 is a detailed view of the area enclosed by the area labeled 5 in FIG. 2.

The broken lines show environmental subject matter and form no part of the claimed design.

1 Claim, 4 Drawing Sheets

(56) **References Cited**

U.S. PATENT DOCUMENTS

D234,331 S * 2/1975 Rocchia D6/369
D239,990 S * 5/1976 Olko D6/369
D268,234 S * 3/1983 Claman D6/349
D412,408 S * 8/1999 Navone D6/369
D461,340 S * 8/2002 Walters, III D6/689
D661,917 S * 6/2012 Citterio D6/369
D663,552 S * 7/2012 Hughes D6/349
D663,553 S * 7/2012 Pedersen D6/349
D663,966 S * 7/2012 Lenney D6/369
D668,465 S * 10/2012 Adir D6/369

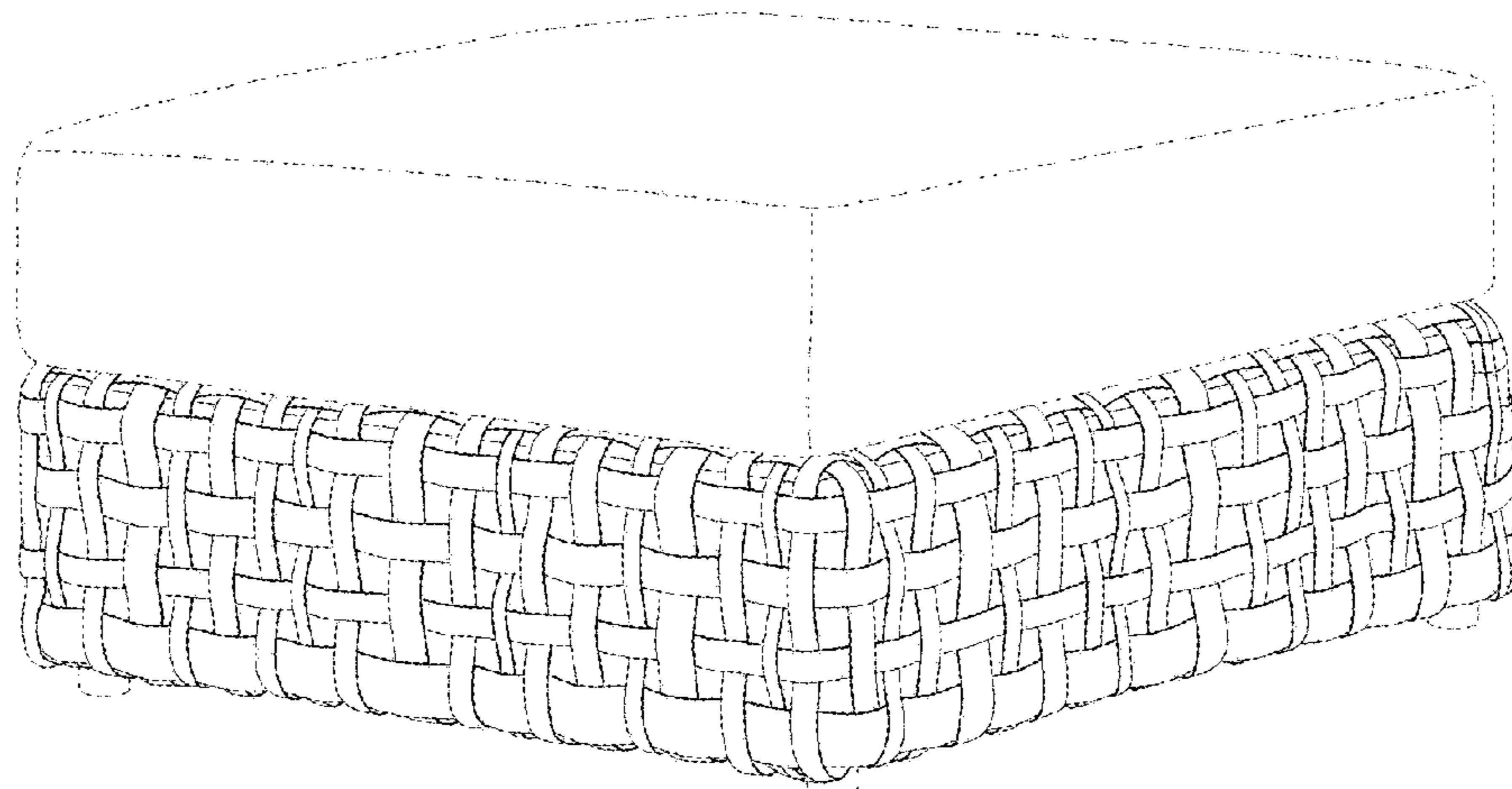


FIG. 1

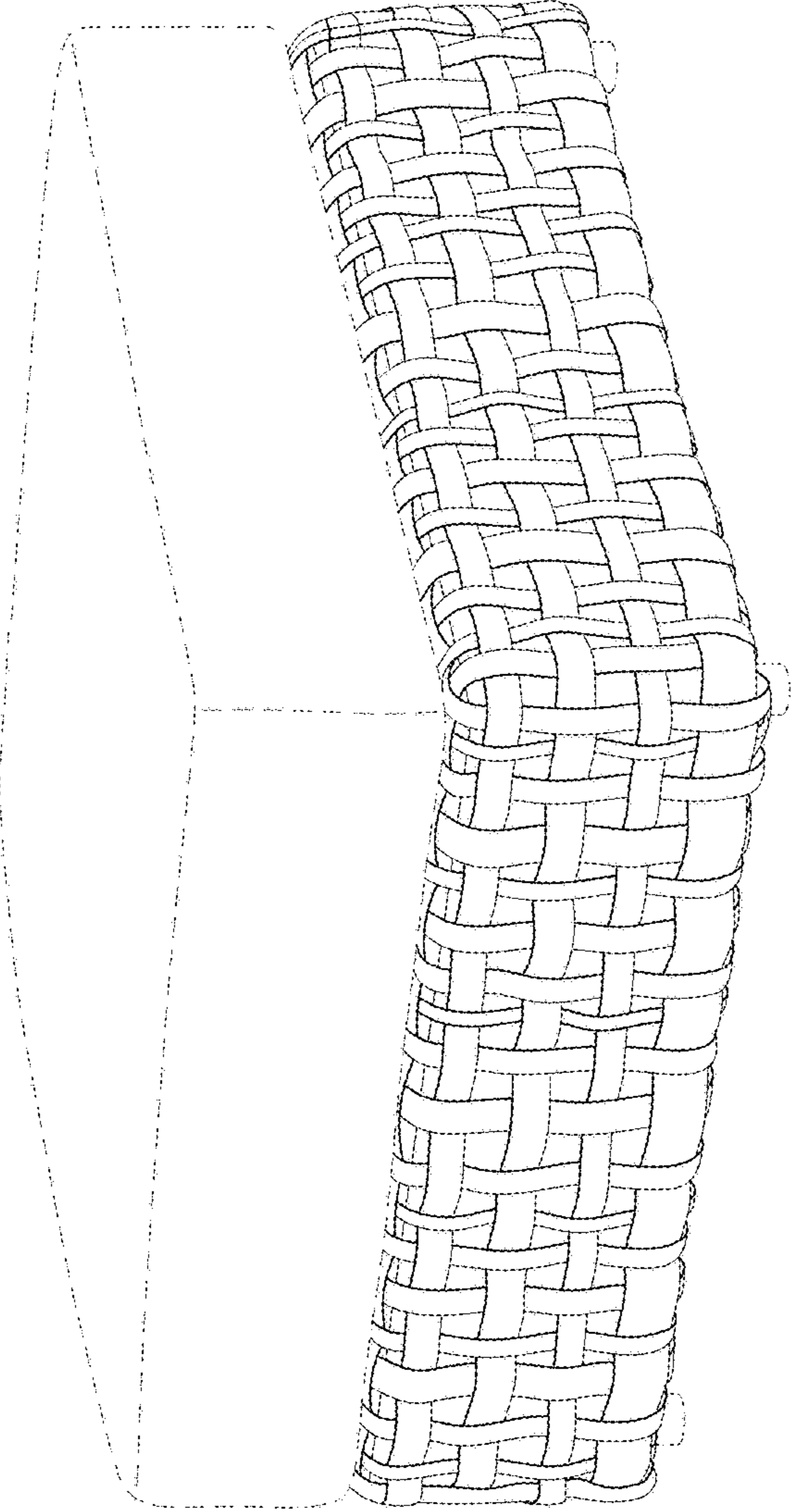


FIG. 3

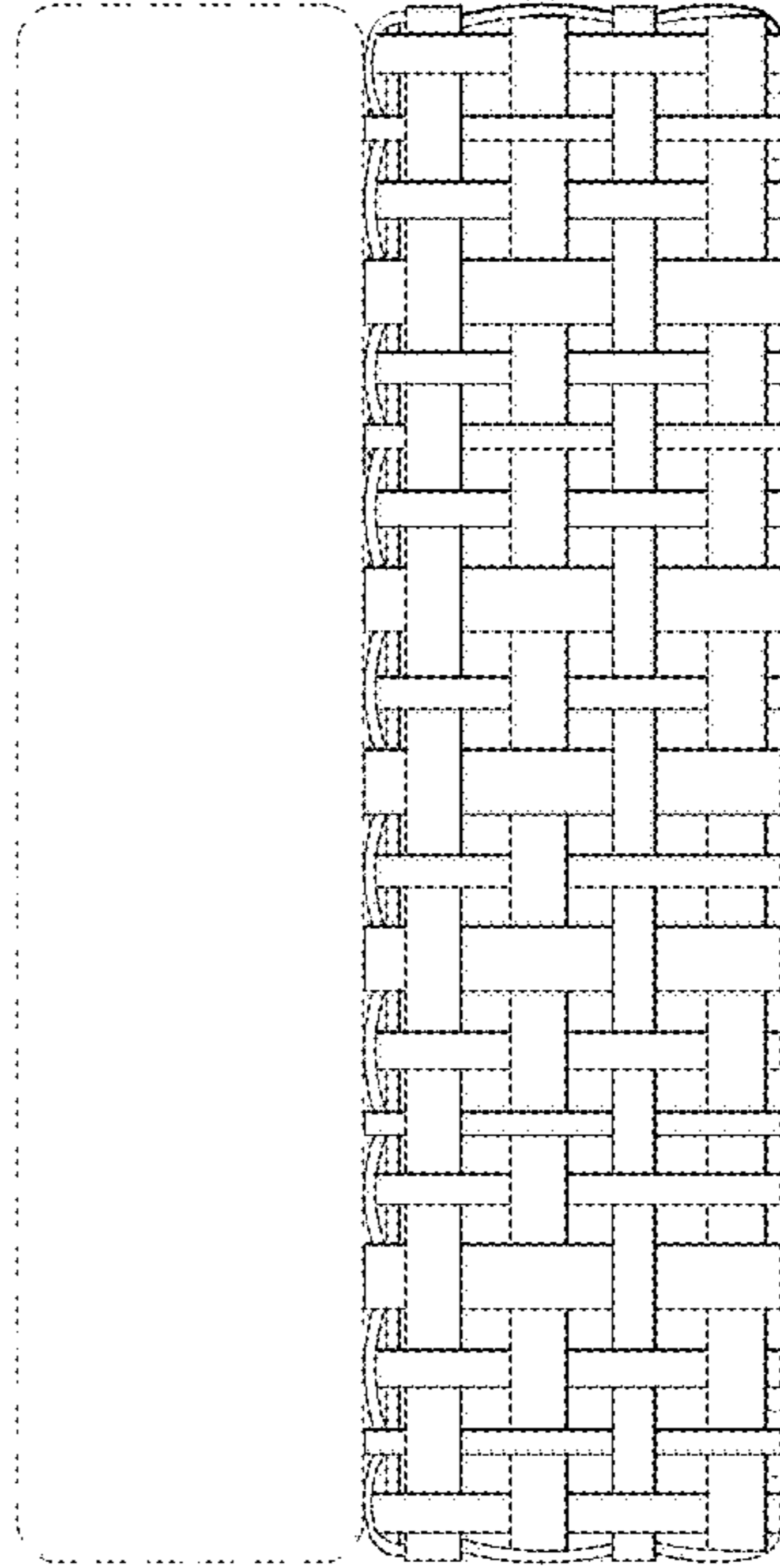


FIG. 2

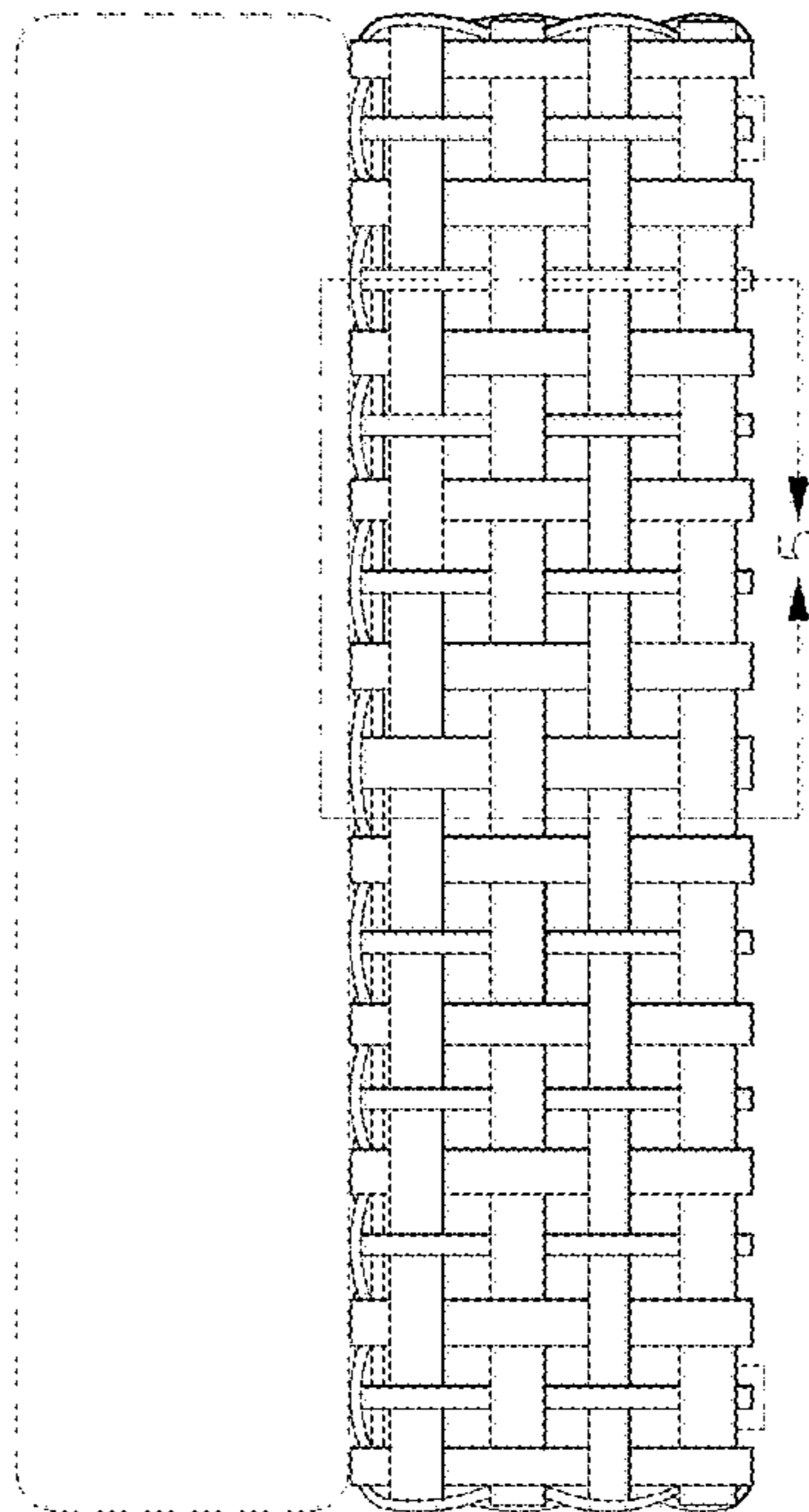


FIG. 4

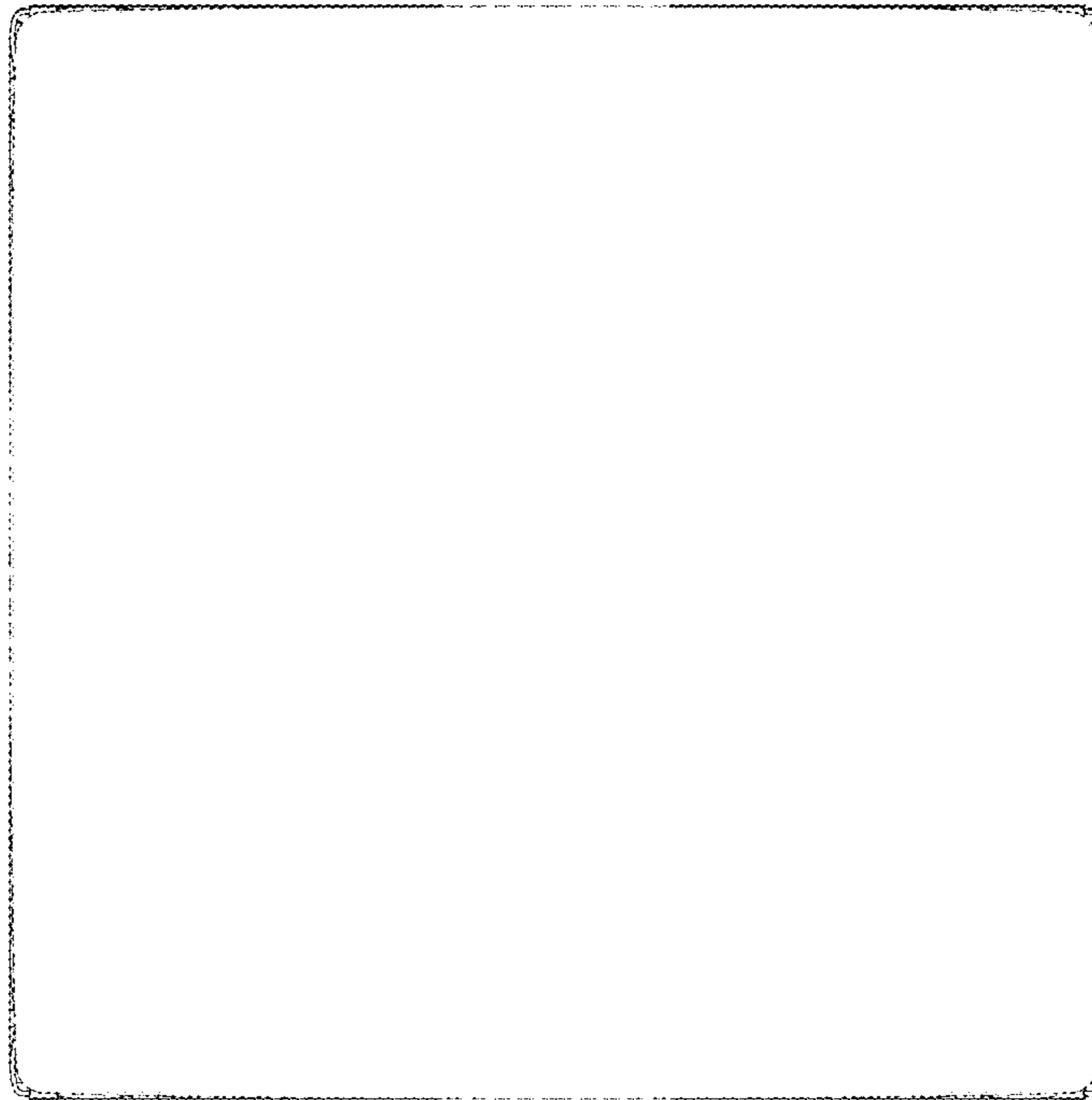


FIG. 5

