



US00D853137S

(12) **United States Design Patent**
Martell et al.

(10) **Patent No.:** **US D853,137 S**
(45) **Date of Patent:** **** Jul. 9, 2019**

- (54) **GARMENT HANGER**
- (71) Applicant: **TARGET BRANDS, INC.**,
Minneapolis, MN (US)
- (72) Inventors: **Timothy James Martell**, Brooklyn
Park, MN (US); **Jeremy A. Clark**,
Minneapolis, MN (US)
- (73) Assignee: **TARGET BRANDS, INC.**,
Minneapolis, MN (US)
- (**) Term: **15 Years**
- (21) Appl. No.: **29/672,897**
- (22) Filed: **Dec. 10, 2018**

- D303,325 S 9/1989 Marshall
 - 4,886,195 A 12/1989 Blanchard
 - 4,892,237 A 1/1990 Duester et al.
 - 4,997,114 A 3/1991 Petrou
 - 5,069,373 A 12/1991 Kolton et al.
 - 5,096,101 A * 3/1992 Norman A47G 25/1435
223/85
 - 5,135,141 A 8/1992 Harmer et al.
- (Continued)

Primary Examiner — Lauren R Calve
(74) *Attorney, Agent, or Firm* — JoAnn M. Seaton;
Griffiths & Seaton PLLC

(57) **CLAIM**

The ornamental design for a garment hanger, as shown and described.

DESCRIPTION

FIG. 1 is a right side perspective view of a garment hanger showing a first embodiment of our new design;
 FIG. 2 is a front view thereof, wherein the rear surfaces thereof are unclaimed such that a rear view is omitted;
 FIG. 3 is a right side view thereof;
 FIG. 4 is a left side view thereof;
 FIG. 5 is a top view thereof; and
 FIG. 6 is a bottom view thereof.
 FIG. 7 is a right side perspective view of a garment hanger showing a second embodiment of our new design;
 FIG. 8 is a front view thereof, wherein the rear surfaces thereof are unclaimed such that a rear view is omitted;
 FIG. 9 is a right side view thereof;
 FIG. 10 is a left side view thereof;
 FIG. 11 is a top view thereof; and
 FIG. 12 is a bottom view thereof.

In the drawings, the broken lines depict unclaimed subject matter only and form no part of the claimed design. The features shown in long dash-short dash bolded broken lines indicate the bounds of the claimed design and otherwise form no part of the claimed design.

1 Claim, 2 Drawing Sheets

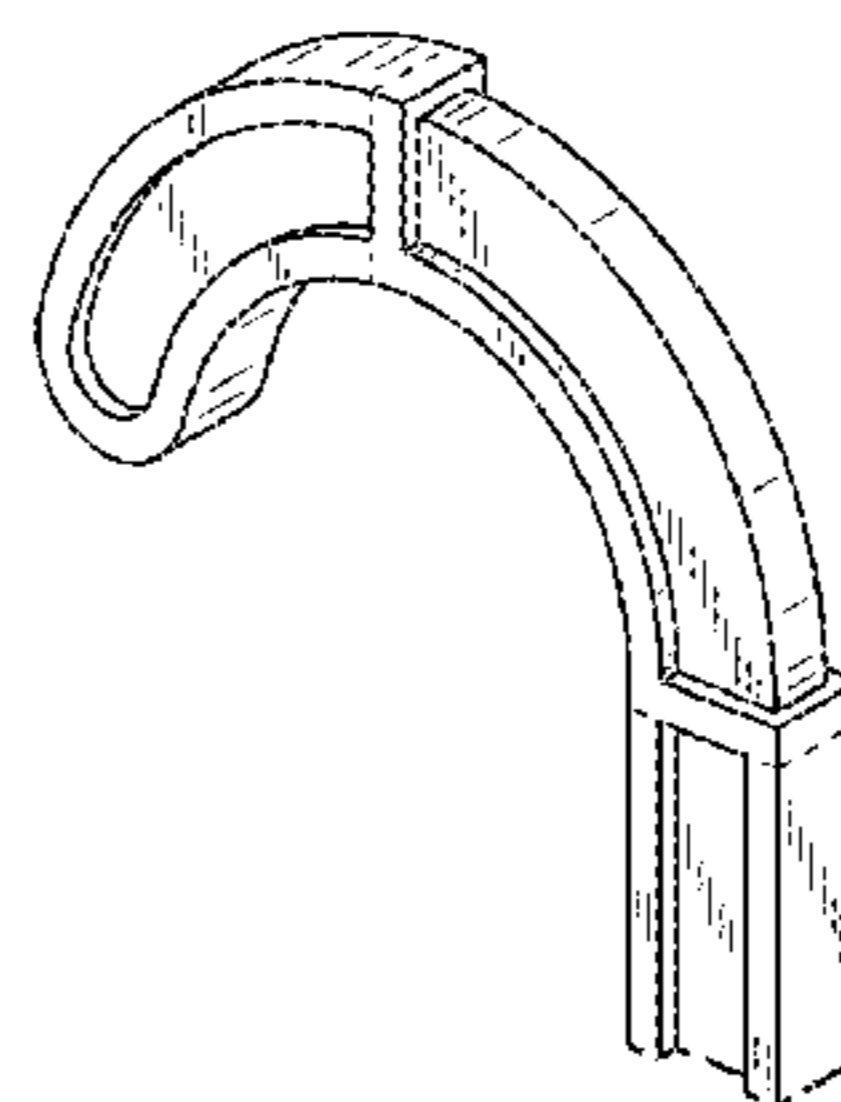
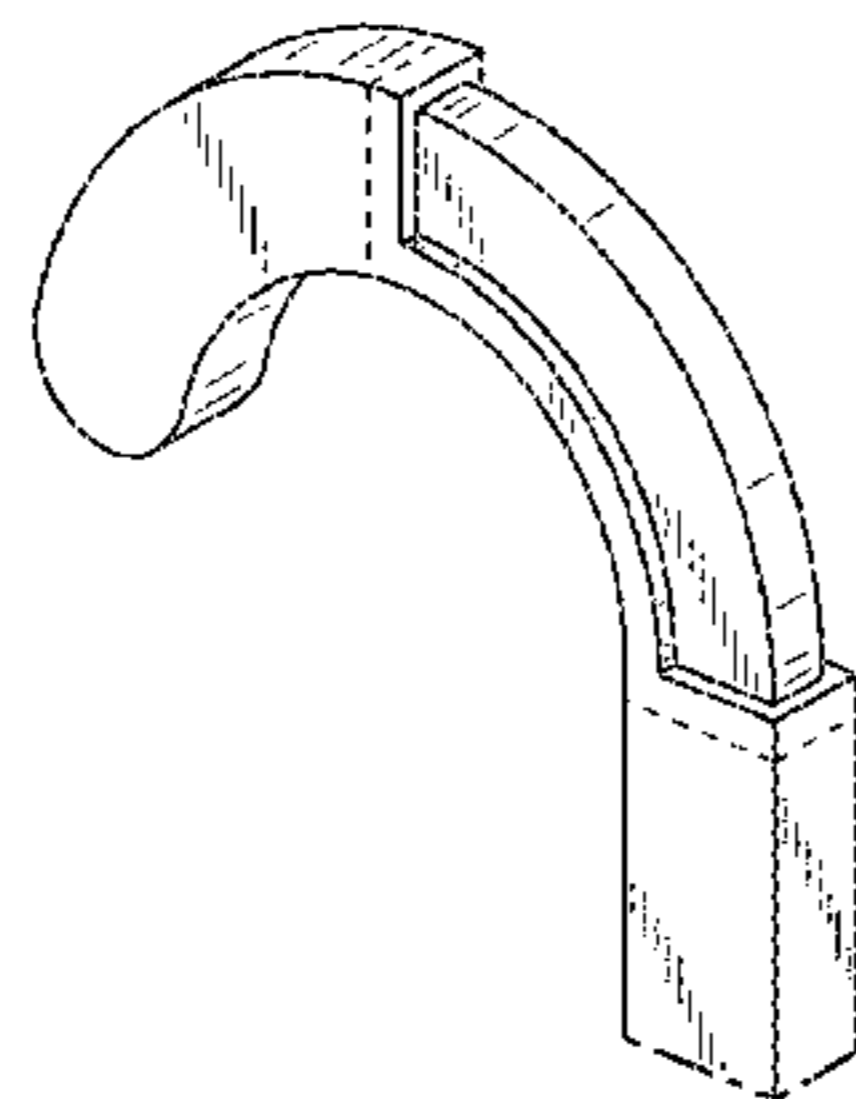
Related U.S. Application Data

- (62) Division of application No. 29/553,482, filed on Feb. 2, 2016, now Pat. No. Des. 839,613.
- (51) **LOC (11) Cl.** **06-08**
- (52) **U.S. Cl.**
USPC **D6/328**
- (58) **Field of Classification Search**
USPC D6/315–328
CPC A47G 25/32; A47G 25/743; A47G 25/36;
A47G 25/1407; A47G 25/06; A47G
25/38; A47G 25/1414; A47G 25/0607;
A47G 25/186; A47F 5/0006; A47F 7/19;
A47F 7/24; Y10T 24/51; Y10T 24/3449
See application file for complete search history.

(56) **References Cited**

U.S. PATENT DOCUMENTS

- 3,949,914 A 4/1976 Ostroll
- D245,748 S 9/1977 Ostroll
- D264,912 S 6/1982 Bliss et al.
- 4,450,639 A 5/1984 Duester
- 4,517,709 A 5/1985 Arentsen et al.
- D282,982 S 3/1986 Kodet



(56)

References Cited

U.S. PATENT DOCUMENTS

5,199,608	A *	4/1993	Zuckerman	A47G 25/1435 223/85	7,303,101	B2	12/2007	Goldman
5,238,159	A	8/1993	Zuckerman		7,318,540	B1	1/2008	Sutton et al.
5,305,933	A	4/1994	Zuckerman		7,380,359	B2	6/2008	Mainetti
5,377,884	A	1/1995	Zuckerman		7,464,842	B2	12/2008	Gouldson
5,383,583	A	1/1995	Zuckerman		7,516,875	B2	4/2009	Gouldson
5,388,024	A	2/1995	Galvagni		D605,417	S	12/2009	Warren et al.
5,400,932	A	3/1995	Hollis		D605,418	S	12/2009	Niccol
5,407,109	A	4/1995	Zuckerman		D607,219	S	1/2010	Goldman
5,441,182	A	8/1995	Sullivan		7,641,083	B2	1/2010	Goldman et al.
5,449,099	A	9/1995	Blanchard		7,708,174	B1	5/2010	Ho
5,469,995	A	11/1995	Bredeweg et al.		7,717,308	B2	5/2010	Goldman
5,485,943	A	1/1996	Zuckerman		D627,171	S	11/2010	Niccol
5,503,310	A	4/1996	Zuckerman et al.		D627,980	S	11/2010	Chan
5,524,801	A *	6/1996	Dooley	A47G 25/1435 223/85	7,841,495	B2	11/2010	Gouldson
5,586,697	A	12/1996	Johansson		D632,097	S	2/2011	Chan
5,590,822	A	1/1997	Zuckerman		D634,939	S *	3/2011	Warren D6/328
5,597,100	A *	1/1997	Blitz	A47G 25/1435 223/85	7,905,376	B2	3/2011	Gouldson
5,603,437	A	2/1997	Zuckerman		7,922,047	B2	4/2011	Gouldson
5,611,469	A	3/1997	Eiley et al.		8,113,392	B2	2/2012	Gouldson
5,613,629	A	3/1997	Zuckerman		8,113,394	B2 *	2/2012	Ho G09F 3/20 223/85
5,641,100	A	6/1997	Mitchell et al.		8,141,756	B2	3/2012	Mainetti
5,642,840	A	7/1997	Abdi		8,225,538	B2	7/2012	Warren et al.
5,683,018	A *	11/1997	Sullivan	A47G 25/1435 223/85	8,281,965	B2	10/2012	Chan
5,775,553	A	7/1998	Marshall et al.		8,286,841	B2	10/2012	Louw
5,778,575	A	7/1998	Deupree et al.		D673,782	S	1/2013	Presser
5,785,216	A	7/1998	Gouldson et al.		D673,783	S	1/2013	Presser
5,794,363	A	8/1998	Marshall et al.		D680,759	S	4/2013	Jones
5,819,995	A	10/1998	Zuckerman		8,418,894	B2	4/2013	Gouldson
5,944,237	A	8/1999	Gouldson		D755,529	S *	5/2016	Schlang D6/328
D414,044	S	9/1999	Choi et al.		D806,410	S *	1/2018	Denby D6/328
5,992,714	A	11/1999	Morgan		D811,755	S	3/2018	Taylor
6,019,260	A	2/2000	Gouldson		D816,351	S	5/2018	Clark et al.
6,029,868	A *	2/2000	Willinger	A47G 25/1414 223/85	D826,583	S	8/2018	Ho
6,041,983	A	3/2000	Sullivan et al.		D828,696	S	9/2018	Ho
6,041,984	A	3/2000	Gouldson		D834,338	S *	11/2018	Taylor D6/323
6,145,713	A	11/2000	Zuckerman		D839,613	S *	2/2019	Martell D6/328
6,189,746	B1	2/2001	Gouldson		2001/0011663	A1	8/2001	Olk et al.
6,209,241	B1	4/2001	Louw		2002/0184799	A1	12/2002	Chou
6,378,744	B2	4/2002	Olk et al.		2003/0173381	A1	9/2003	Louw
6,382,478	B2	5/2002	Gouldson et al.		2003/0178451	A1	9/2003	Giustini et al.
6,422,437	B2	7/2002	Gouldson et al.		2003/0209577	A1	11/2003	Gouldson et al.
6,499,633	B1	12/2002	Pogmore		2003/0222107	A1	12/2003	Stein et al.
6,564,980	B2	5/2003	Gouldson et al.		2004/0188475	A1	9/2004	Gouldson
6,609,640	B1 *	8/2003	Bokmiller	A47G 25/485 223/90	2004/0206787	A1	10/2004	Kolton et al.
6,622,897	B2	9/2003	Bokmiller et al.		2004/0211796	A1	10/2004	Misumi
6,644,520	B2	11/2003	Lam		2006/0011673	A1	1/2006	Gouldson
6,705,496	B2	3/2004	Marshall et al.		2006/0049222	A1	3/2006	Pluchino et al.
6,726,067	B2	4/2004	Louw		2006/0208014	A1	9/2006	Gouldson et al.
6,865,832	B1	3/2005	Goldman		2006/0208015	A1	9/2006	Gouldson et al.
D506,078	S	6/2005	Leung et al.		2006/0213938	A1	9/2006	Gouldson
D506,620	S	6/2005	Leung et al.		2007/0000957	A1	1/2007	Stein et al.
D507,120	S	7/2005	Leung et al.		2007/0062984	A1	3/2007	Louw
6,915,931	B2	7/2005	Gouldson et al.		2007/0084889	A1	4/2007	Fleming
6,932,251	B2	8/2005	Kolton et al.		2007/0090134	A1	4/2007	Wu
D509,073	S	9/2005	Leung et al.		2007/0145084	A1	6/2007	Goldman
6,948,269	B2	9/2005	Wang		2007/0151997	A1	7/2007	Chen
6,978,917	B2	12/2005	Giustini et al.		2007/0158373	A1	7/2007	Yau
D523,741	S	6/2006	Pluchino et al.		2007/0158374	A1	7/2007	Chan
D524,150	S	7/2006	Stein et al.		2007/0158375	A1	7/2007	Yau
D527,194	S	8/2006	Yau		2007/0175932	A1	8/2007	Wu
D533,362	S	12/2006	Giampavolo		2007/0187439	A1	8/2007	Louw
7,178,705	B1	2/2007	Sutton		2007/0199963	A1	8/2007	Gouldson
7,201,297	B1	4/2007	Baziuk		2007/0246490	A1	10/2007	Gouldson
D547,557	S	7/2007	Wu		2007/0257071	A1	11/2007	Gouldson
7,240,813	B1	7/2007	Goldman		2007/0272716	A1	11/2007	Wu
7,278,558	B1	10/2007	Sutton et al.		2007/0278259	A1	12/2007	Wong
7,278,559	B1	10/2007	Sutton et al.		2008/0011791	A1	1/2008	Wu
D554,378	S	11/2007	Niederer		2008/0011792	A1	1/2008	Gouldson et al.
					2008/0035685	A1	2/2008	Matkovich et al.
					2009/0120973	A1	5/2009	Ho
					2009/0145937	A1	6/2009	Gouldson
					2009/0159621	A1	6/2009	Gouldson
					2009/0212080	A1	8/2009	Goldman
					2009/0294492	A1	12/2009	Goldman et al.
					2009/0294493	A1	12/2009	Ho et al.
					2009/0294494	A1	12/2009	Ho
					2010/0019002	A1	1/2010	Gouldson
					2010/0270338	A1	10/2010	Mainetti

(56)

References Cited

U.S. PATENT DOCUMENTS

2011/0042423	A1	2/2011	Gouldson
2011/0101044	A1	5/2011	Chan
2012/0067929	A1	3/2012	Gouldson
2012/0097716	A1	4/2012	Gouldson
2012/0181309	A1	7/2012	Mainetti
2012/0292352	A1	11/2012	Gouldson

* cited by examiner

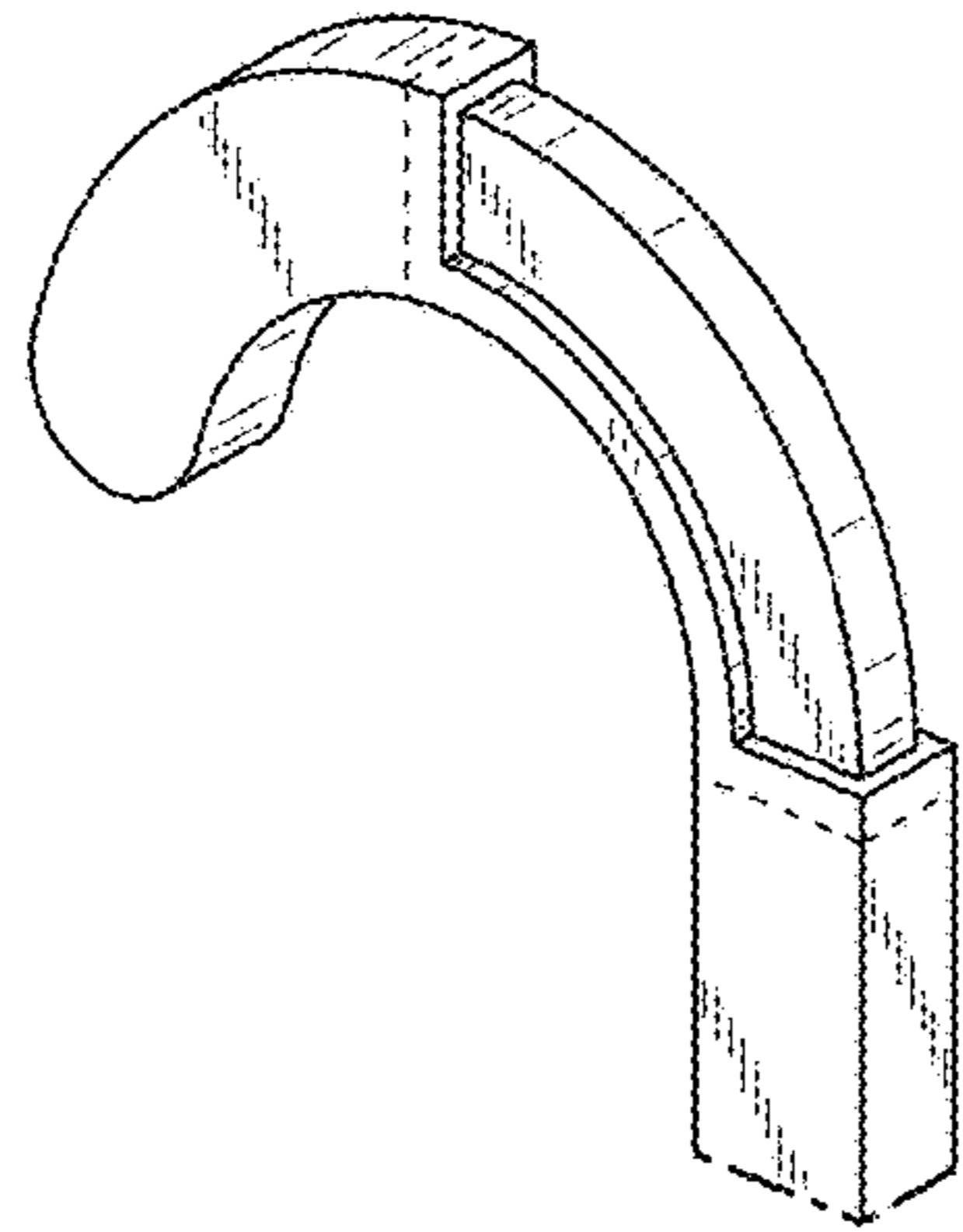


FIG. 1

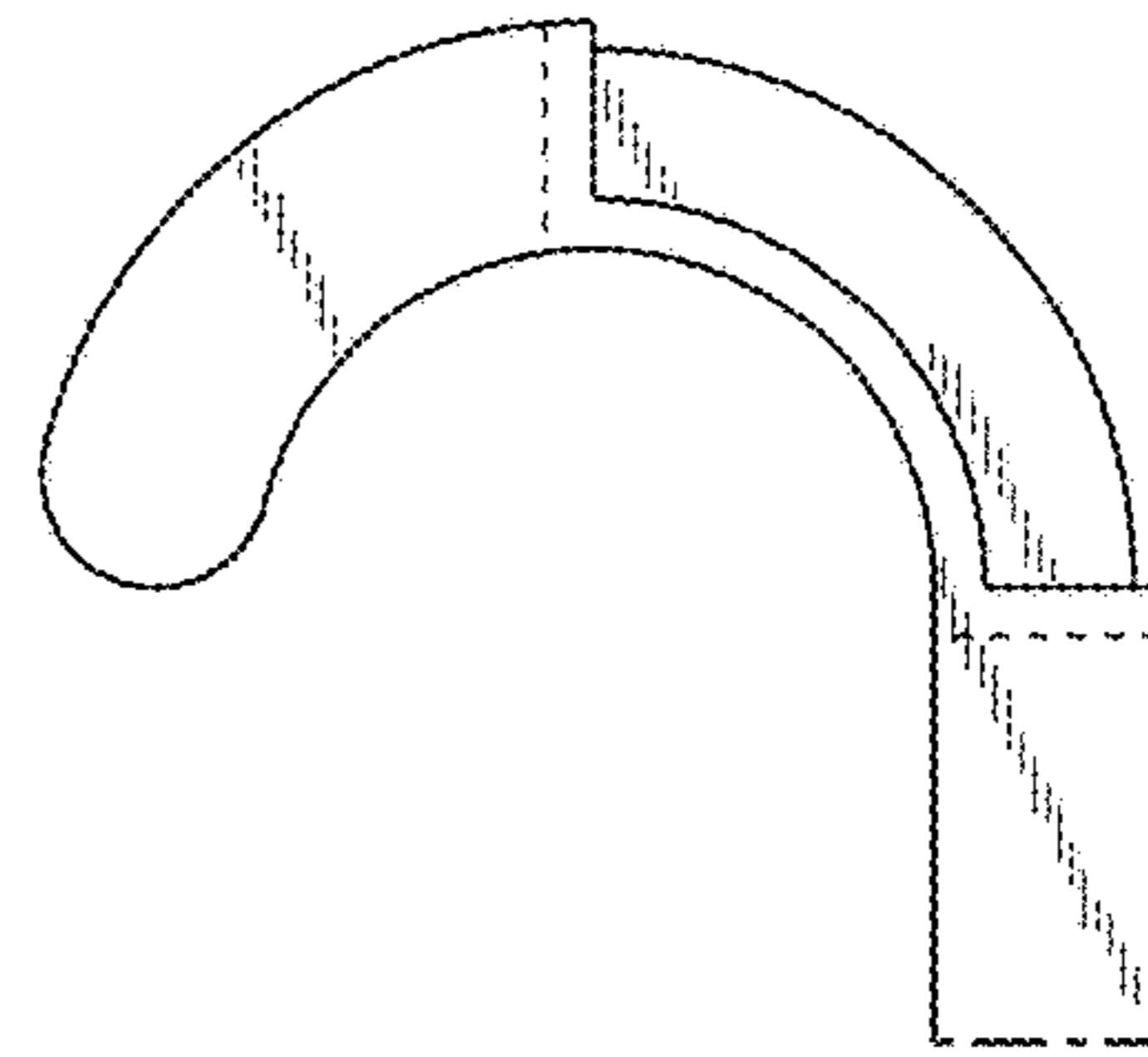


FIG. 2

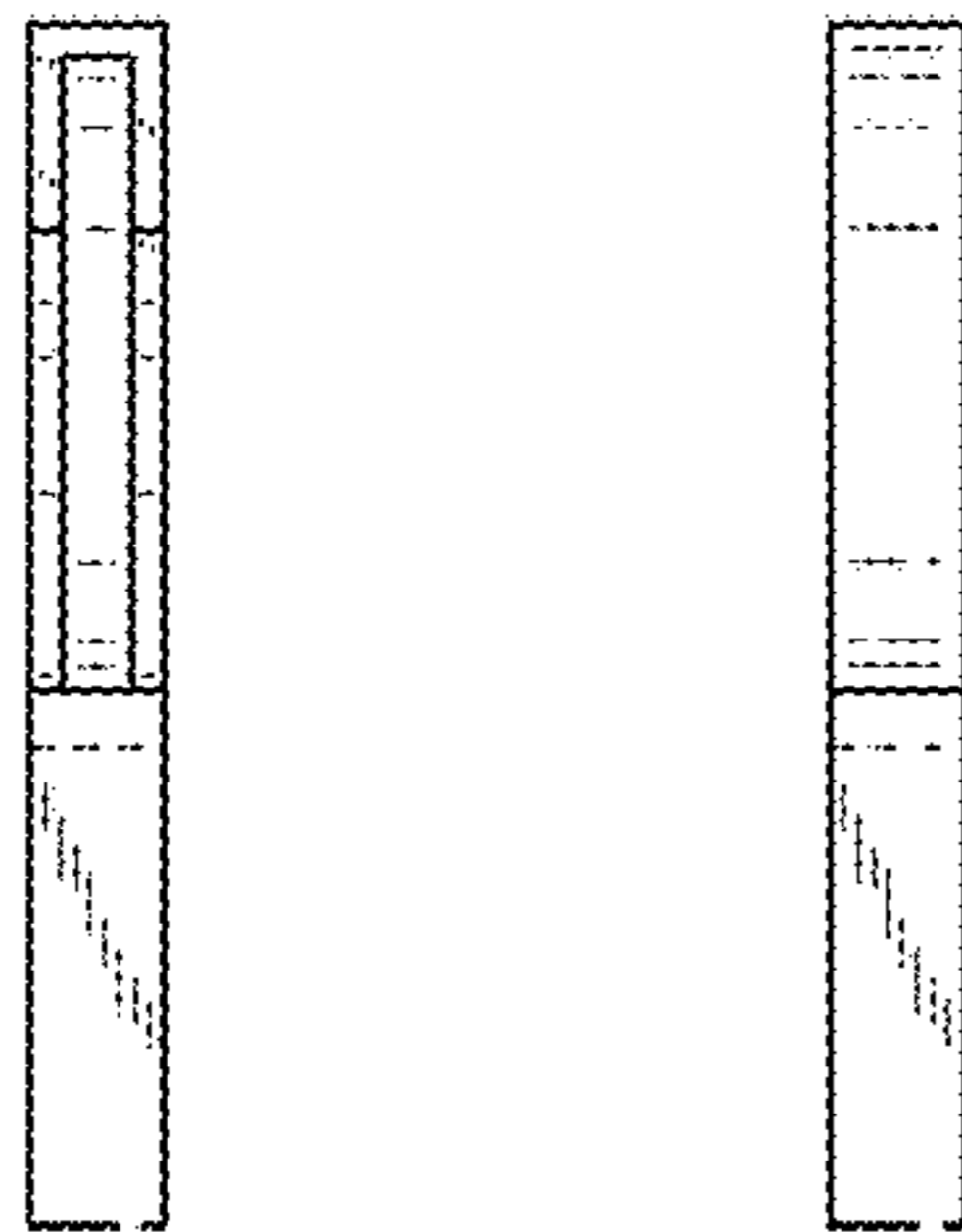


FIG. 3

FIG. 4

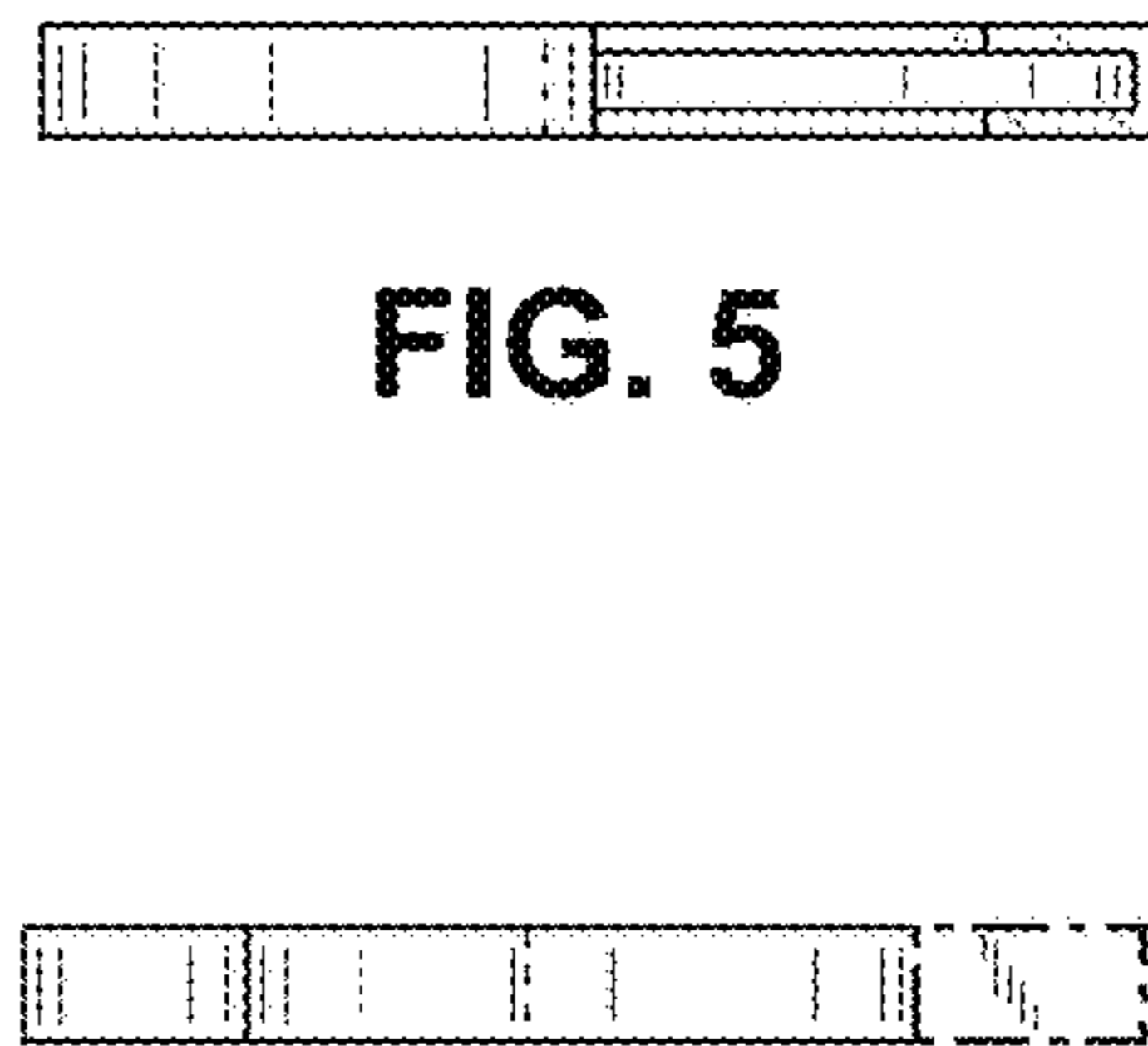


FIG. 5

FIG. 6

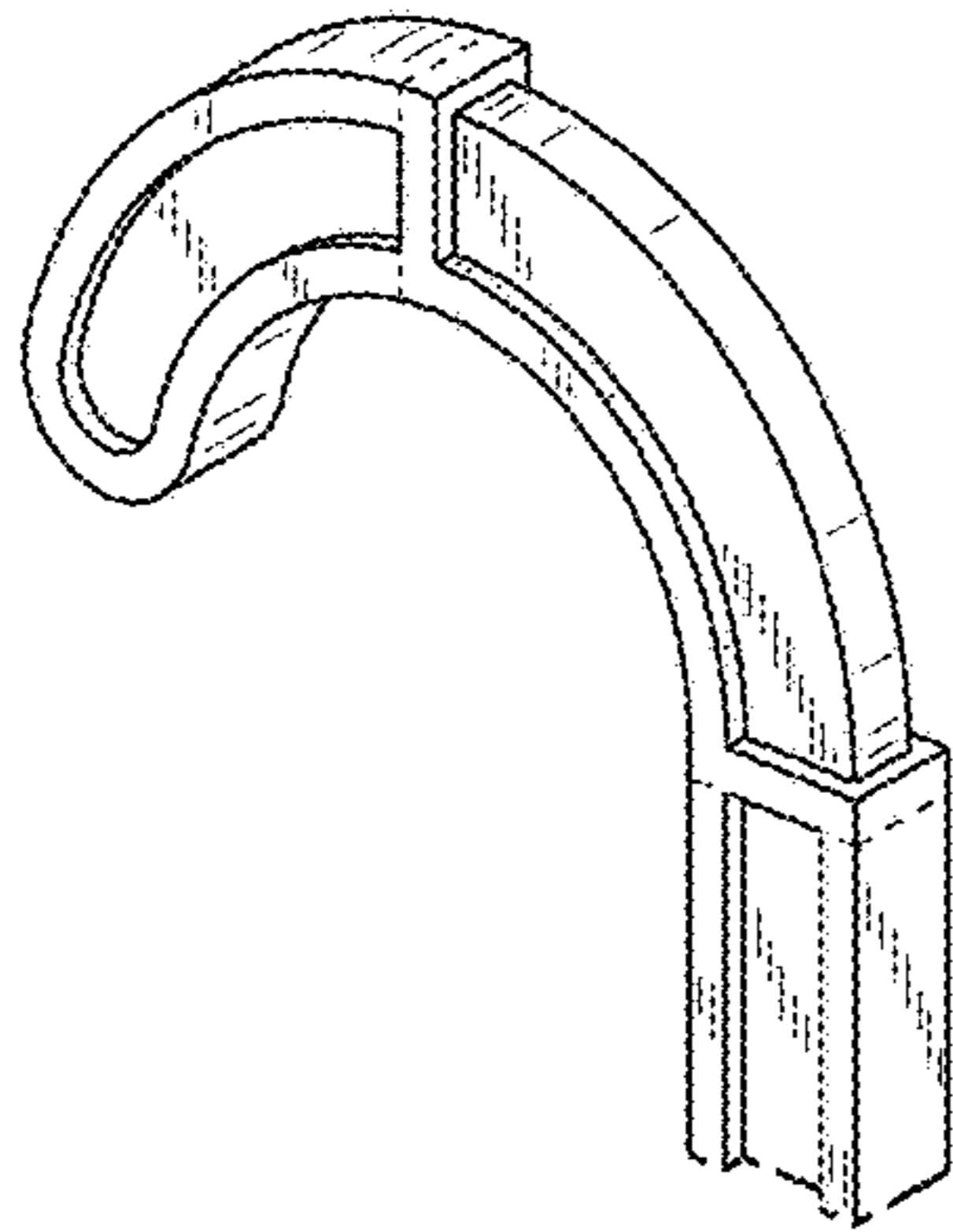


FIG. 7

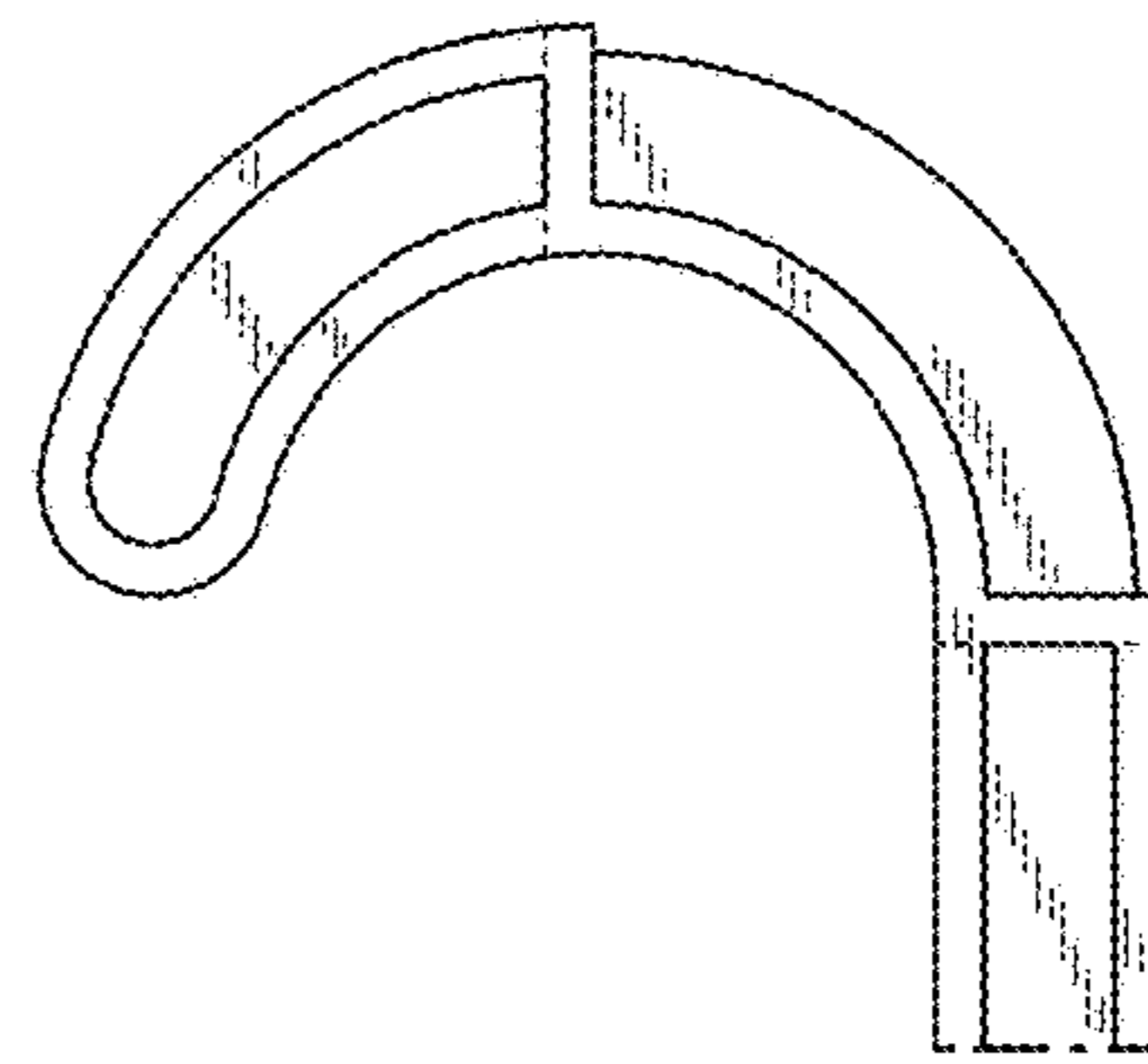


FIG. 8

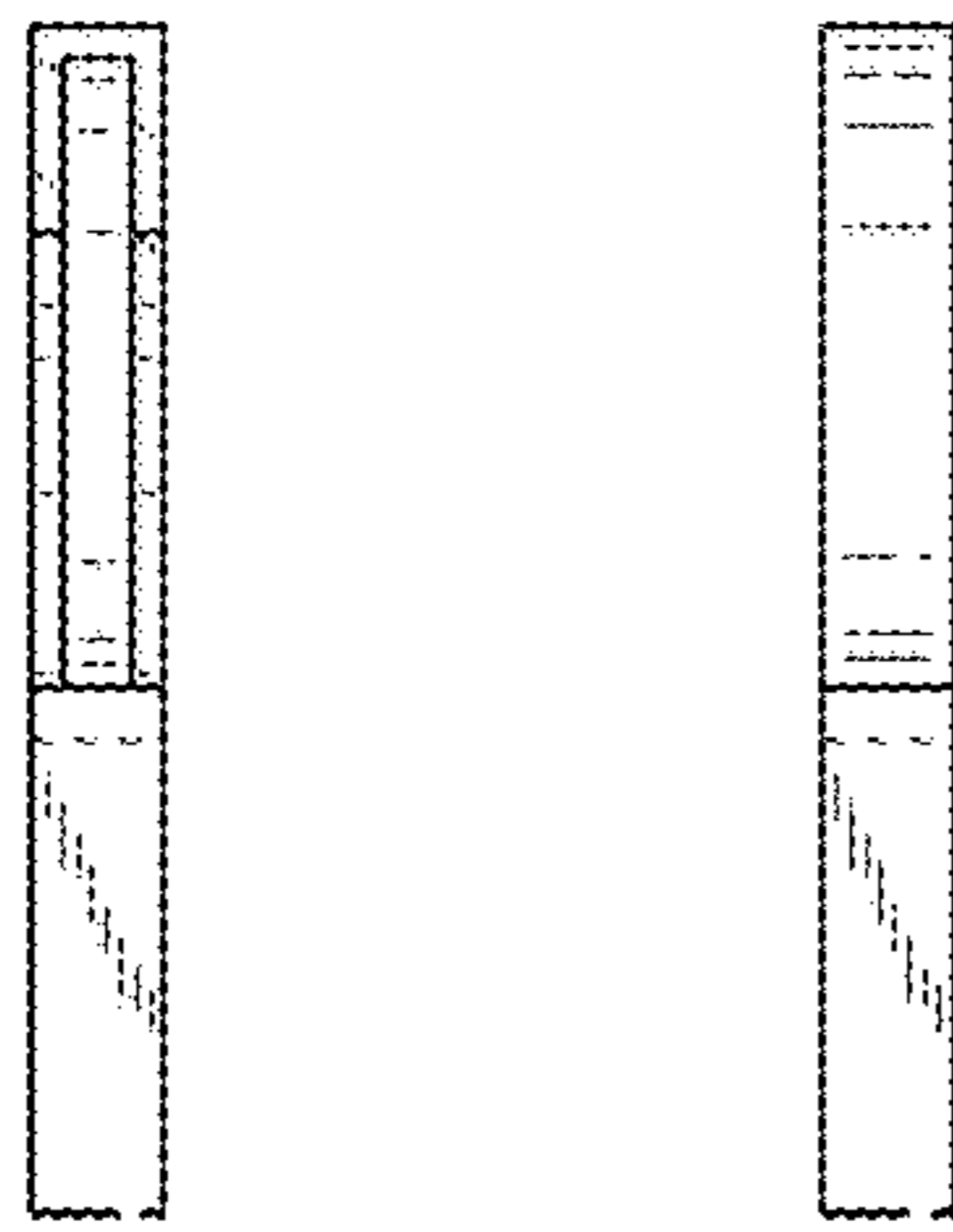


FIG. 9

FIG. 10

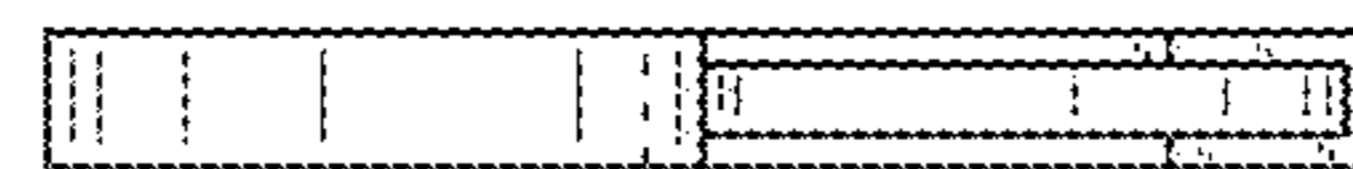


FIG. 11



FIG. 12