



US00D853136S

(12) **United States Design Patent**  
**Harding**

(10) **Patent No.:** **US D853,136 S**

(45) **Date of Patent:** **\*\* Jul. 9, 2019**

(54) **GARMENT HANGER**

(71) Applicant: **Mainetti (UK) Ltd**, Jedburgh, Scotland  
(GB)

(72) Inventor: **Matthew Kendal Harding**, Warrington  
(GB)

(73) Assignee: **Mainetti (UK) Ltd** (GB)

(\*\*) Term: **15 Years**

(21) Appl. No.: **29/610,119**

(22) Filed: **Jul. 10, 2017**

(30) **Foreign Application Priority Data**

Jan. 9, 2017 (GB) ..... 6005392

(51) **LOC (11) Cl.** ..... **06-08**

(52) **U.S. Cl.**  
USPC ..... **D6/326**

(58) **Field of Classification Search**  
USPC ..... D6/315-328; 223/85-98; 211/1, 13.1,  
211/85.3, 113  
CPC ..... A47G 25/14; A47G 25/28; A47G 25/26;  
A47G 25/30; A47G 25/36; A47G 25/50;  
A47G 25/442; A47G 25/483; A47G  
25/743; A47G 25/4023; A47F 5/0006  
See application file for complete search history.

(56) **References Cited**

**U.S. PATENT DOCUMENTS**

D396,353 S \* 7/1998 Gouldson ..... D6/315  
D423,797 S \* 5/2000 Gouldson ..... D6/326  
D439,751 S \* 4/2001 Gouldson ..... D6/326  
D441,550 S \* 5/2001 Gouldson ..... D6/326  
D512,571 S \* 12/2005 Gouldson ..... D6/326

D517,818 S \* 3/2006 Sutton ..... D6/328  
D541,538 S \* 5/2007 Gouldson ..... D6/326  
D565,308 S \* 4/2008 Gouldson ..... D6/319  
D567,518 S \* 4/2008 Gouldson ..... D6/326  
D571,109 S \* 6/2008 Jones ..... D6/326  
D628,820 S \* 12/2010 Warren ..... D6/326  
D628,821 S \* 12/2010 Warren ..... D6/326  
D780,466 S \* 3/2017 Jones ..... D6/326  
2008/0011791 A1\* 1/2008 Wu ..... A47G 25/1421  
223/85  
2010/0025440 A1\* 2/2010 Gouldson ..... A47G 25/50  
223/93  
2011/0011901 A1\* 1/2011 Gouldson ..... A47G 25/48  
223/85

\* cited by examiner

*Primary Examiner* — Lauren R Calve

(74) *Attorney, Agent, or Firm* — The Belles Group, P.C.

(57) **CLAIM**

I claim the ornamental design for a garment hanger, as shown and described.

**DESCRIPTION**

FIG. 1 is a perspective view of a garment hanger according to the new design.

FIG. 2 is a front view of the garment hanger of FIG. 1.

FIG. 3 is a top view of the garment hanger of FIG. 1.

FIG. 4 is a right-side view of the garment hanger of FIG. 1.

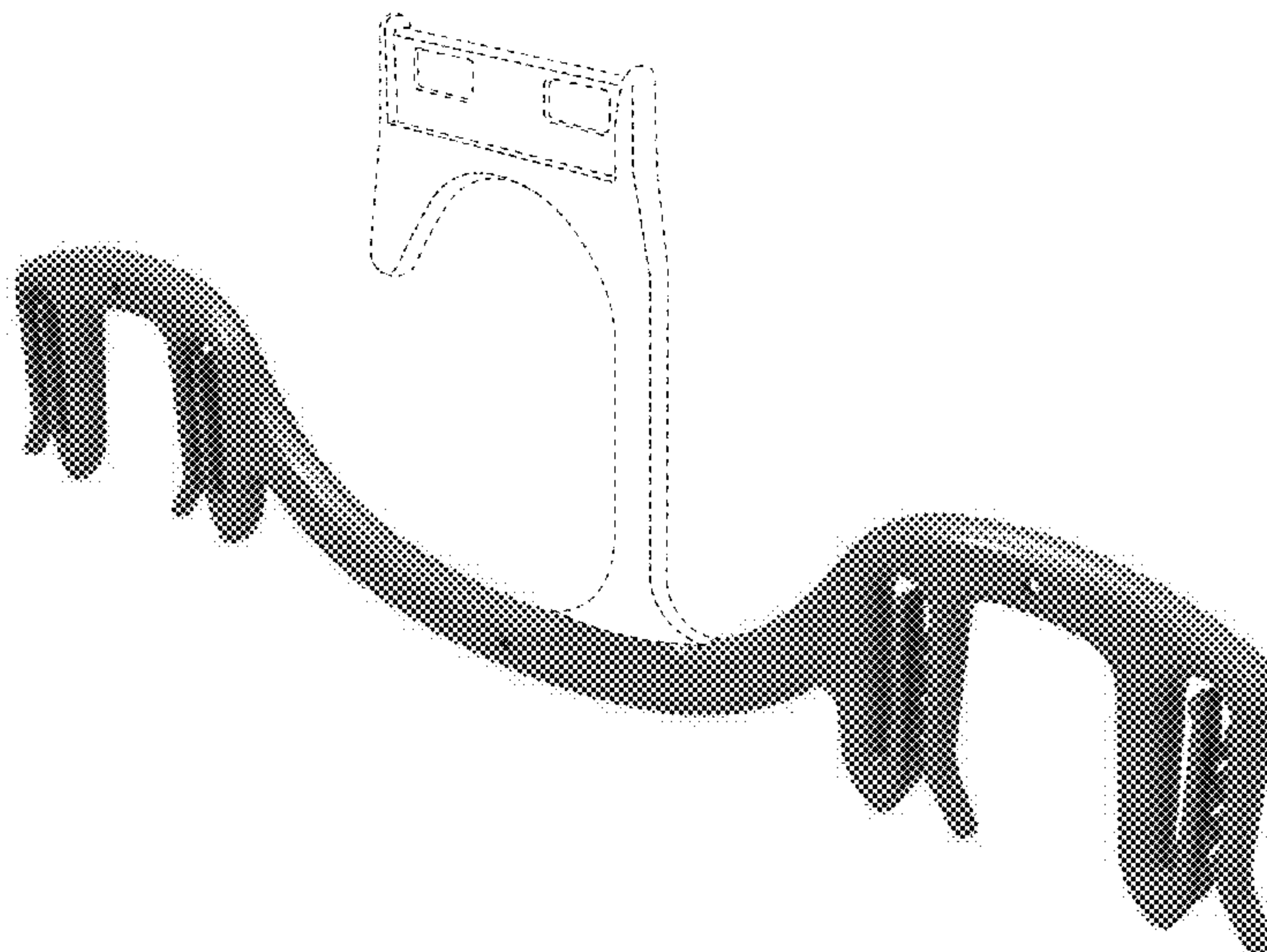
FIG. 5 is a rear view of the garment hanger of FIG. 1.

FIG. 6 is a bottom view of the garment hanger of FIG. 1; and,

FIG. 7 is a left-side view of the garment hanger of FIG. 1.

The broken lines in the figures illustrate portions of the garment hanger that form no part of the claimed design. The claimed design is not limited to the gray color shown in the drawings.

**1 Claim, 3 Drawing Sheets**



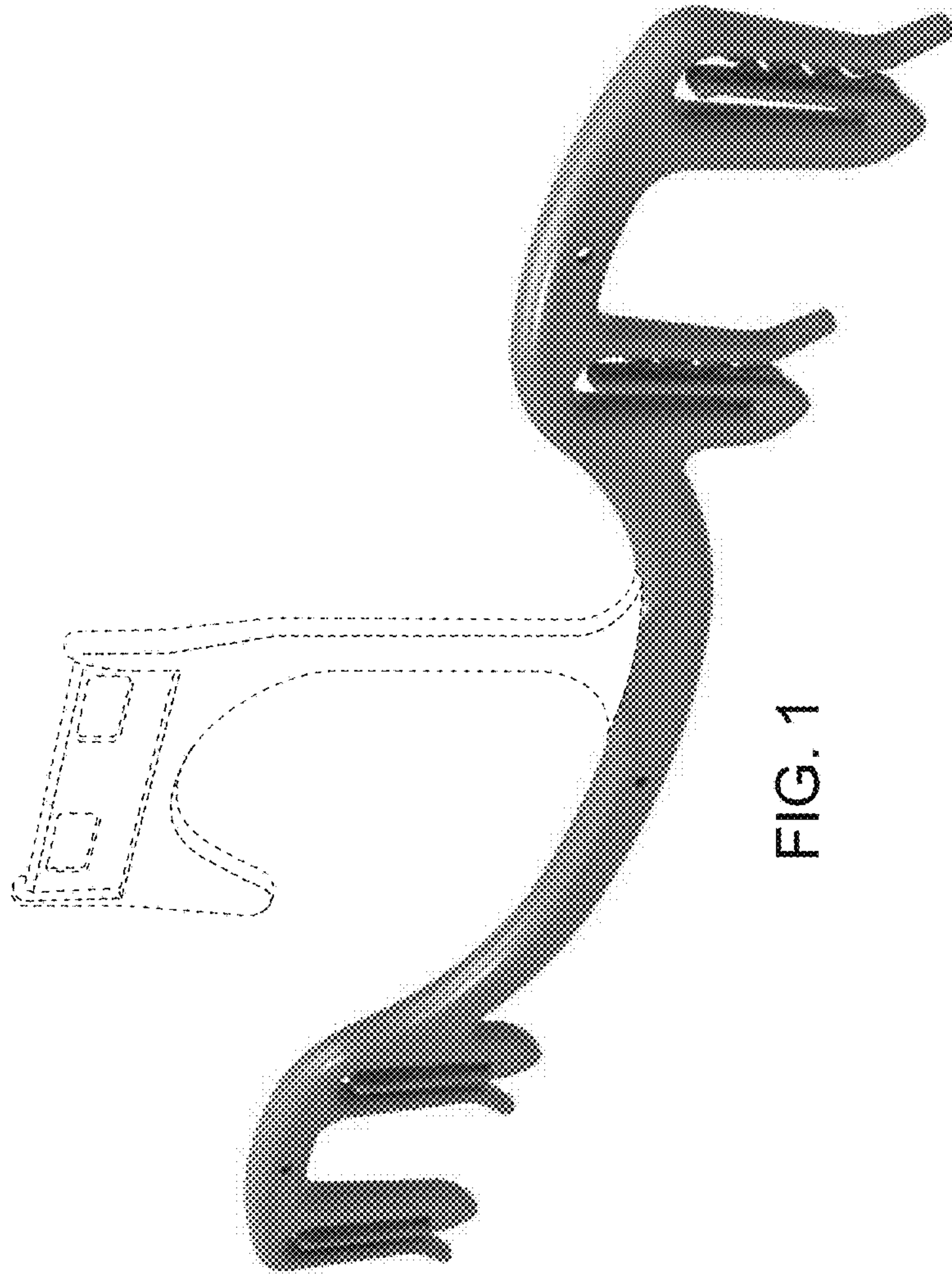


FIG. 1

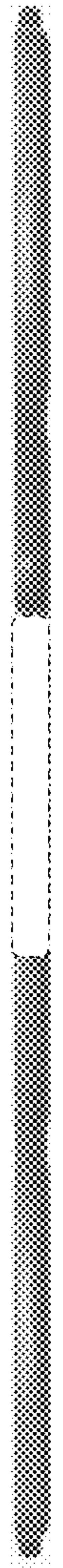


FIG. 3

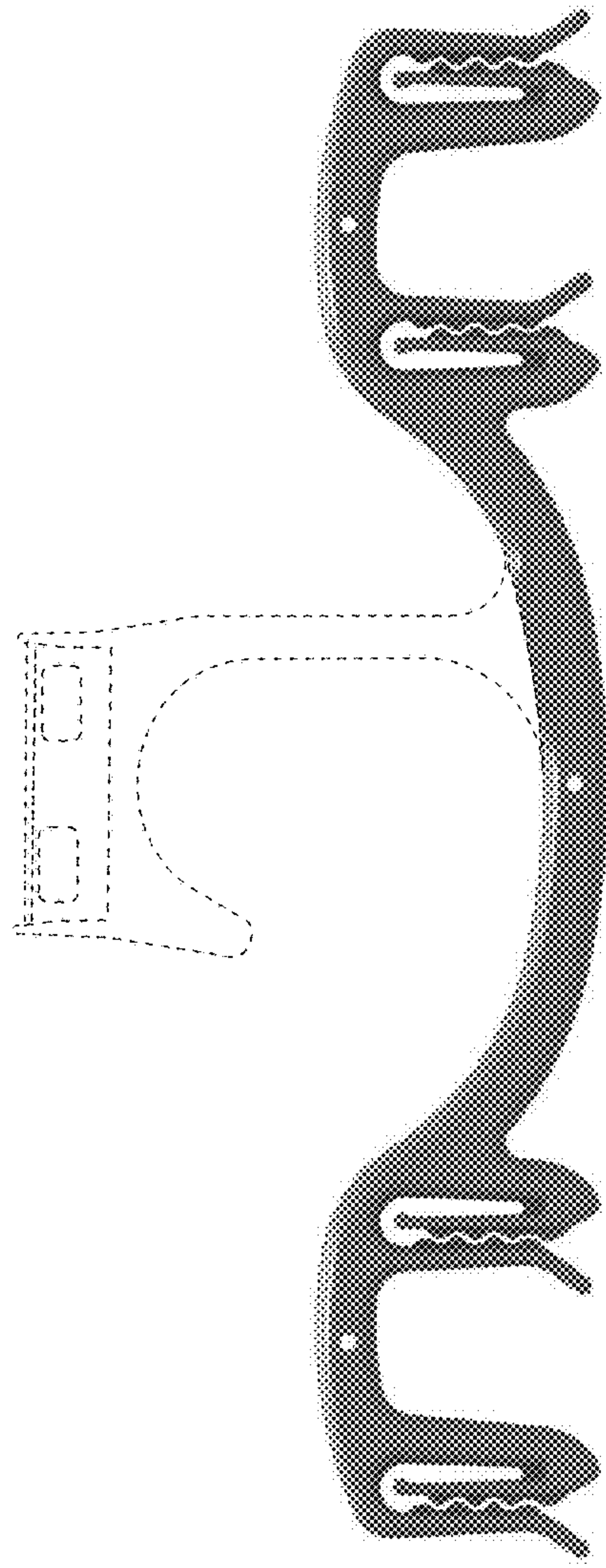


FIG. 2

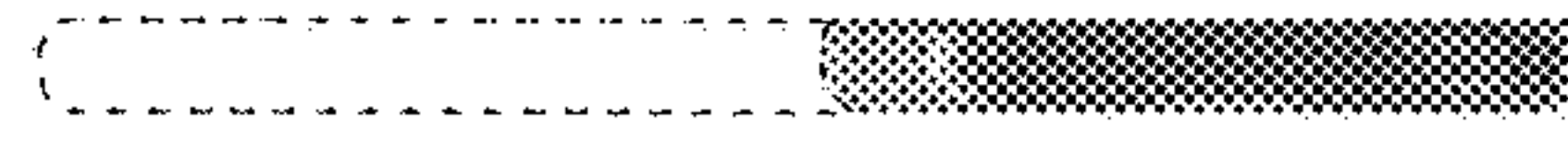


FIG. 4



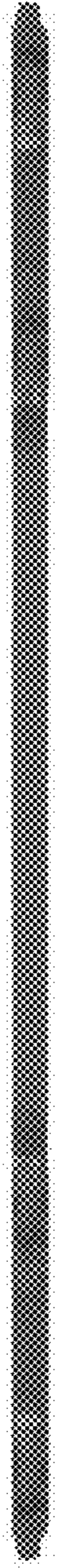


FIG. 6

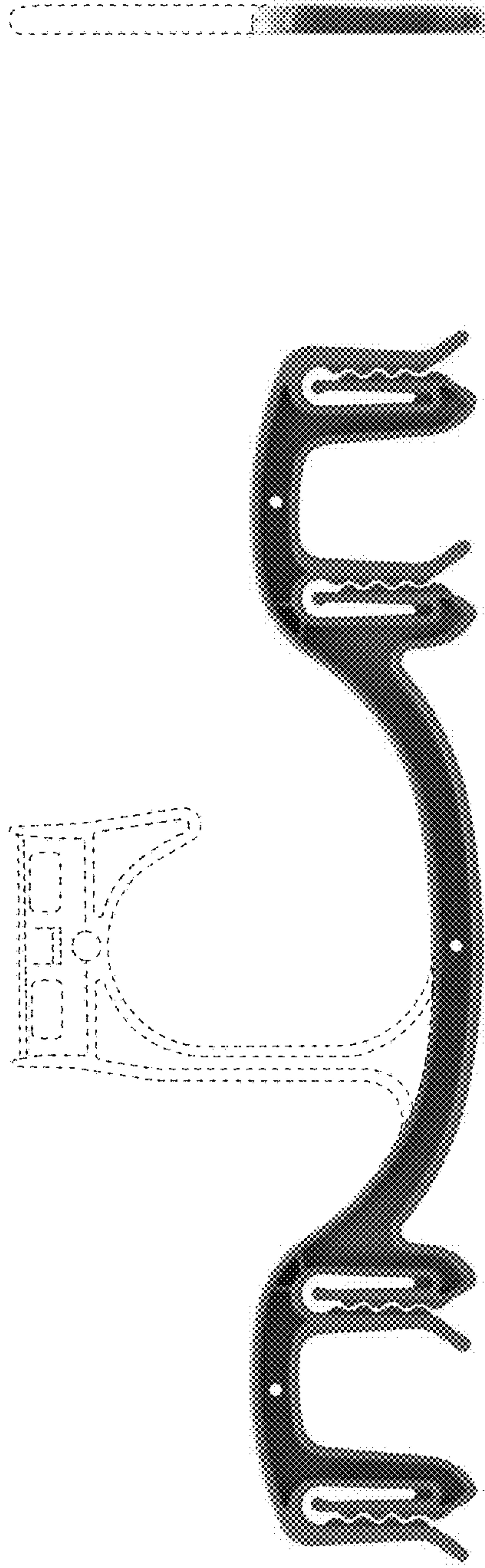


FIG. 5

FIG. 7