



US00D853135S

(12) **United States Design Patent**
Beyda et al.

(10) **Patent No.:** **US D853,135 S**
(45) **Date of Patent:** **** Jul. 9, 2019**

(54) **GARMENT HANGER**

(71) Applicant: **TOWN & COUNTRY LINEN CORP.**, New York, NY (US)

(72) Inventors: **Jeffrey Beyda**, New York, NY (US); **Robert Passaretti**, New York, NY (US); **Ozcan Caliskanlar**, New York, NY (US); **Gina Barnaba**, New York, NY (US)

(73) Assignee: **TOWN & COUNTRY LINEN CORP.**, New York, NY (US)

(**) Term: **15 Years**

(21) Appl. No.: **29/616,835**

(22) Filed: **Sep. 8, 2017**

(51) **LOC (11) Cl.** **06-08**

(52) **U.S. Cl.**
USPC **D6/319**

(58) **Field of Classification Search**
USPC D6/315-328; 223/85-98; 211/1, 10, 211/13.1, 85.3, 113
CPC A47G 25/26; A47G 25/28; A47G 25/30; A47G 25/32; A47G 25/34; A47G 25/36; A47G 25/38; A47G 25/442; A47G 25/625; A47G 25/743; A47G 25/1407; A47G 25/1457; A47G 2025/1492; A47F 7/18; A47F 7/19; A47F 7/22
See application file for complete search history.

(56) **References Cited**

U.S. PATENT DOCUMENTS

- 1,321,997 A * 11/1919 Duberstein A47G 25/30 223/92
- 2,014,061 A * 9/1935 Anderson A47G 25/325 223/1
- D131,682 S * 3/1942 Bolten et al. 223/91
- 4,364,496 A * 12/1982 Bridgeman A47G 25/32 211/113
- D568,620 S * 5/2008 Wong D6/319

- D656,746 S * 4/2012 Mo D6/319
- D737,581 S * 9/2015 Li D6/319
- D779,839 S * 2/2017 Bittle D6/319
- D806,406 S * 1/2018 Malhotra D6/319
- D809,807 S * 2/2018 Worthington D6/319
- 2011/0139833 A1* 6/2011 Cheung A47G 25/60 223/86

(Continued)

Primary Examiner — Lauren R Calve

(74) *Attorney, Agent, or Firm* — Leason Ellis LLP

(57) **CLAIM**

The ornamental design for a garment hanger, as shown and described.

DESCRIPTION

FIG. 1 is a top and front perspective view of a garment hanger showing our new design according to a first embodiment;

FIG. 2 is a front elevation view thereof;

FIG. 3 is a rear elevation view thereof;

FIG. 4 is a left side elevation view thereof;

FIG. 5 is a right side elevation view thereof;

FIG. 6 is a top plan view thereof;

FIG. 7 is a bottom plan view thereof;

FIG. 8 is a cross-sectional view taken along the line 8-8 of FIG. 1;

FIG. 9 is a top and front perspective view of a garment hanger showing our new design according to a second embodiment;

FIG. 10 is a front elevation view thereof;

FIG. 11 is a rear elevation view thereof;

FIG. 12 is a left side elevation view thereof;

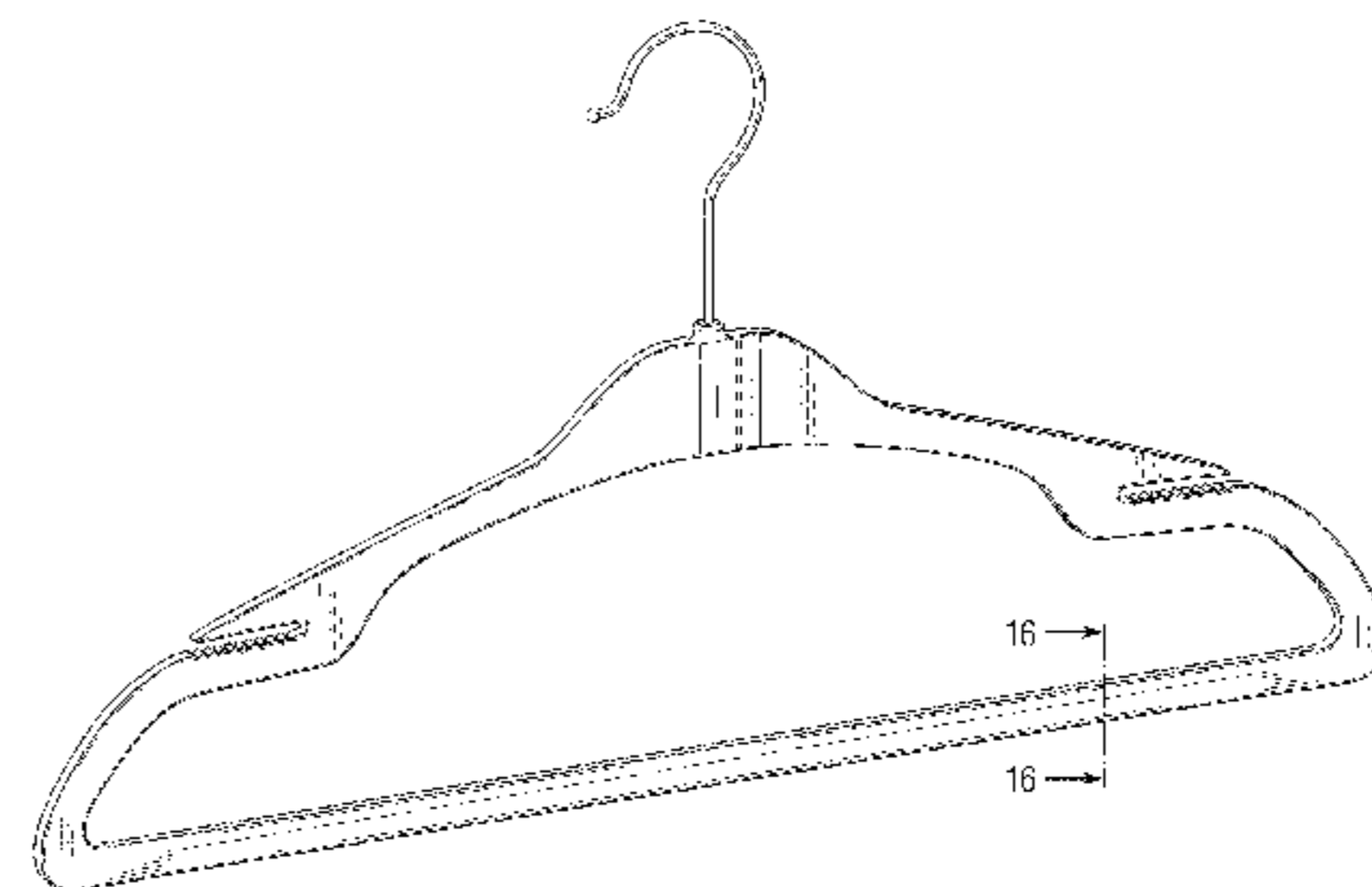
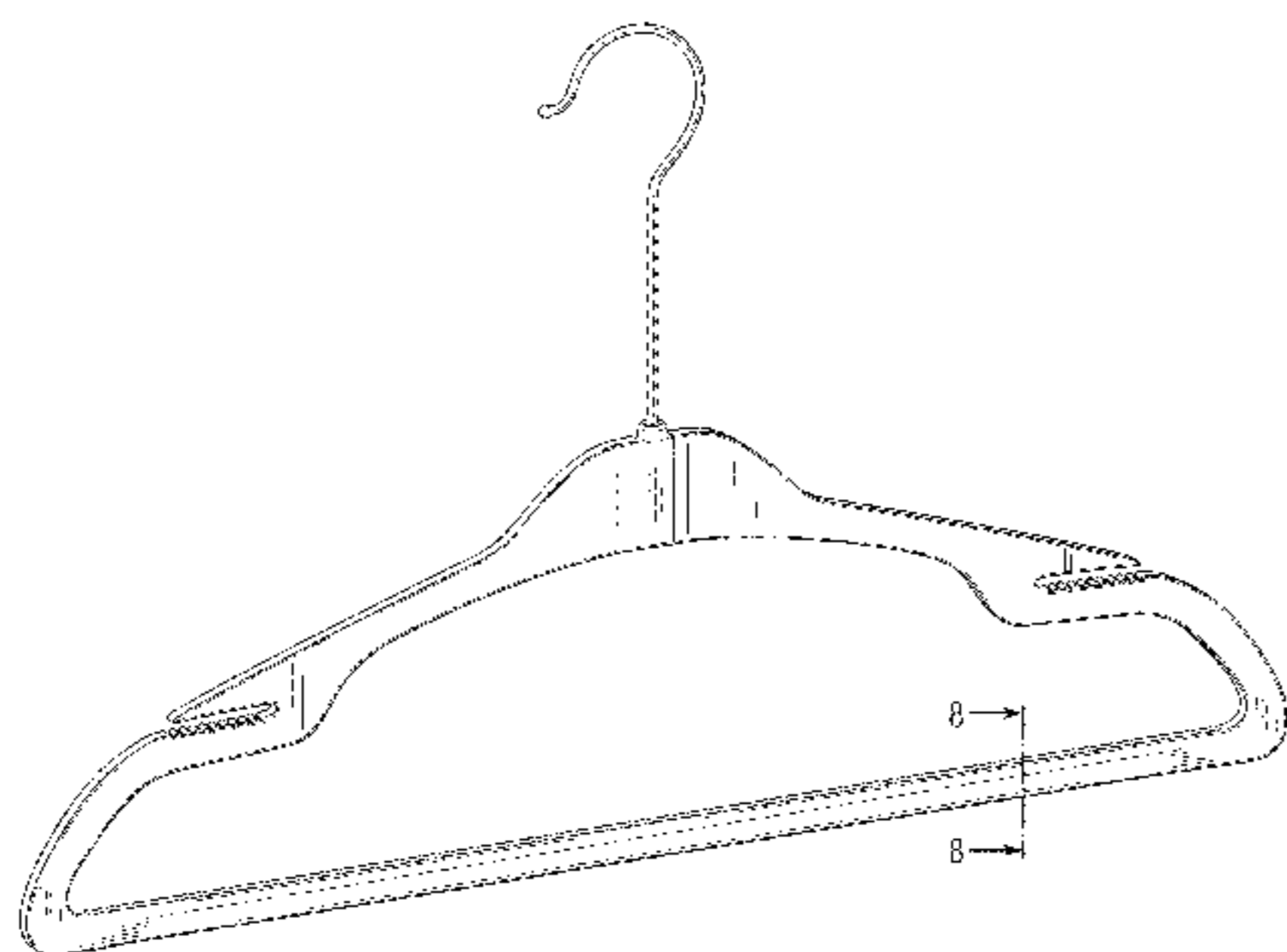
FIG. 13 is a right side elevation view thereof;

FIG. 14 is a top plan view thereof;

FIG. 15 is a bottom plan view thereof; and,

FIG. 16 is a cross-sectional view taken along the line 16-16 of FIG. 9.

1 Claim, 12 Drawing Sheets



(56)

References Cited

U.S. PATENT DOCUMENTS

2012/0286001 A1* 11/2012 Wei A47G 25/36
223/85
2017/0071388 A1* 3/2017 Tucker A47G 25/38

* cited by examiner

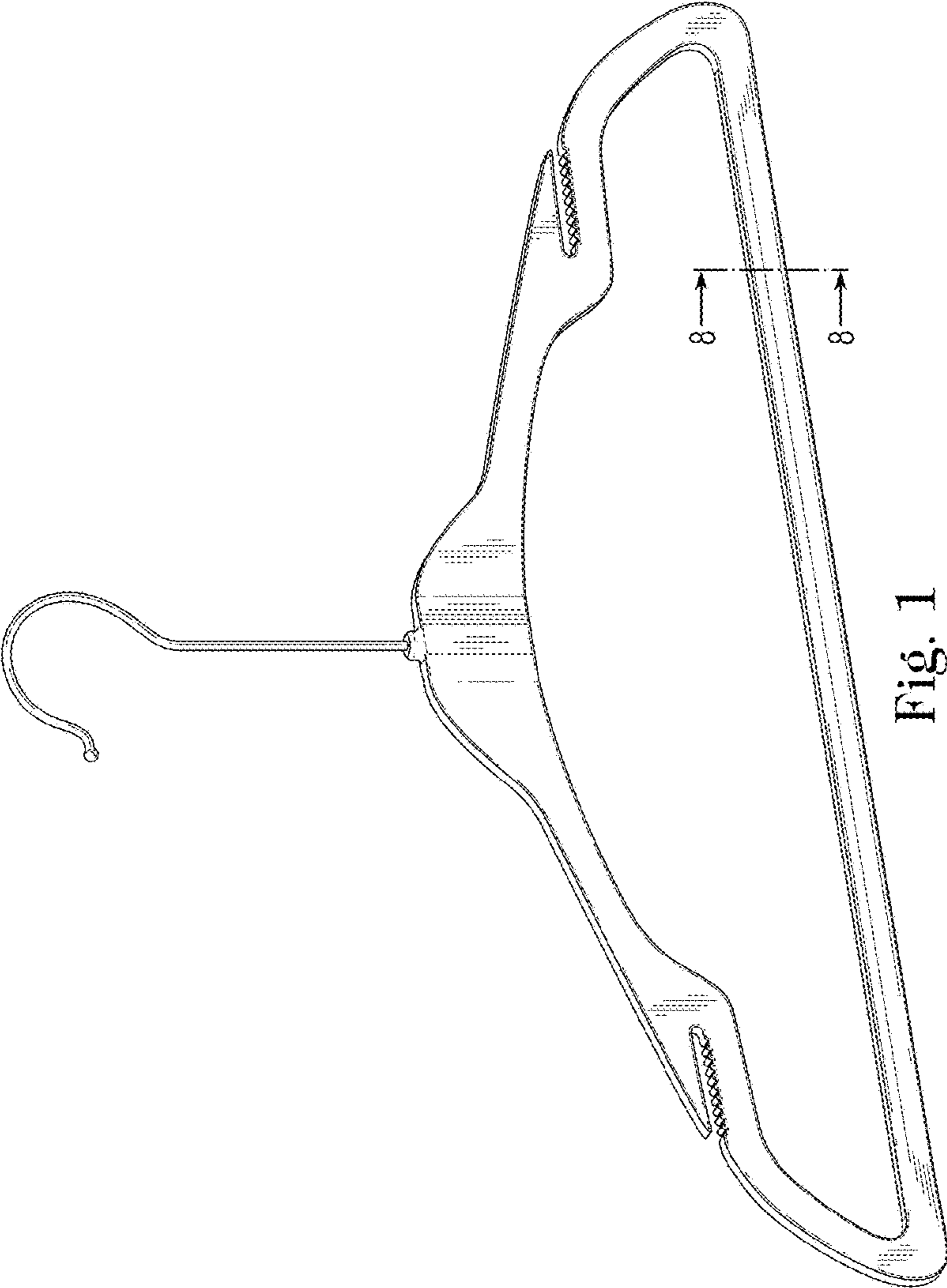


Fig. 1

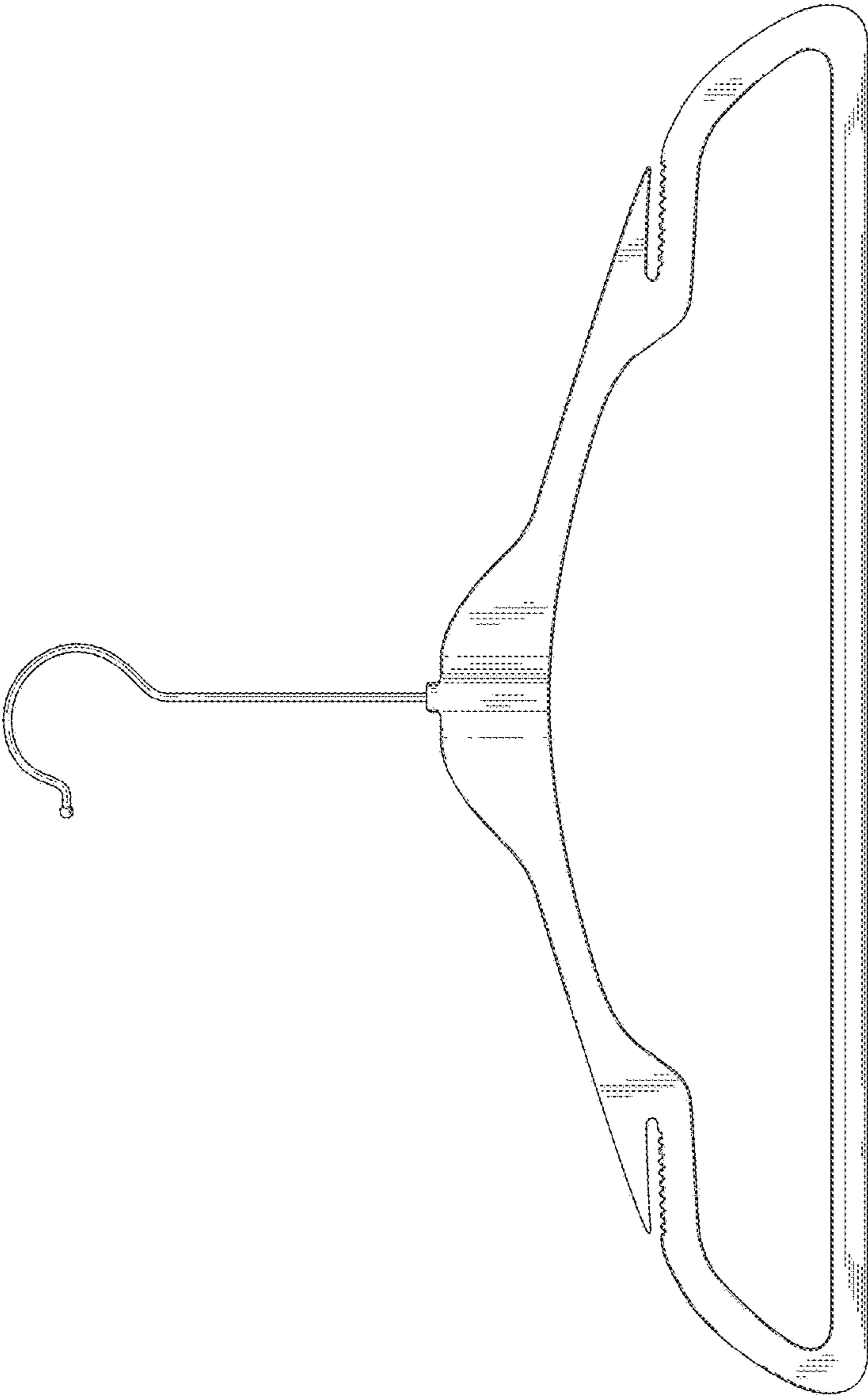


Fig. 2

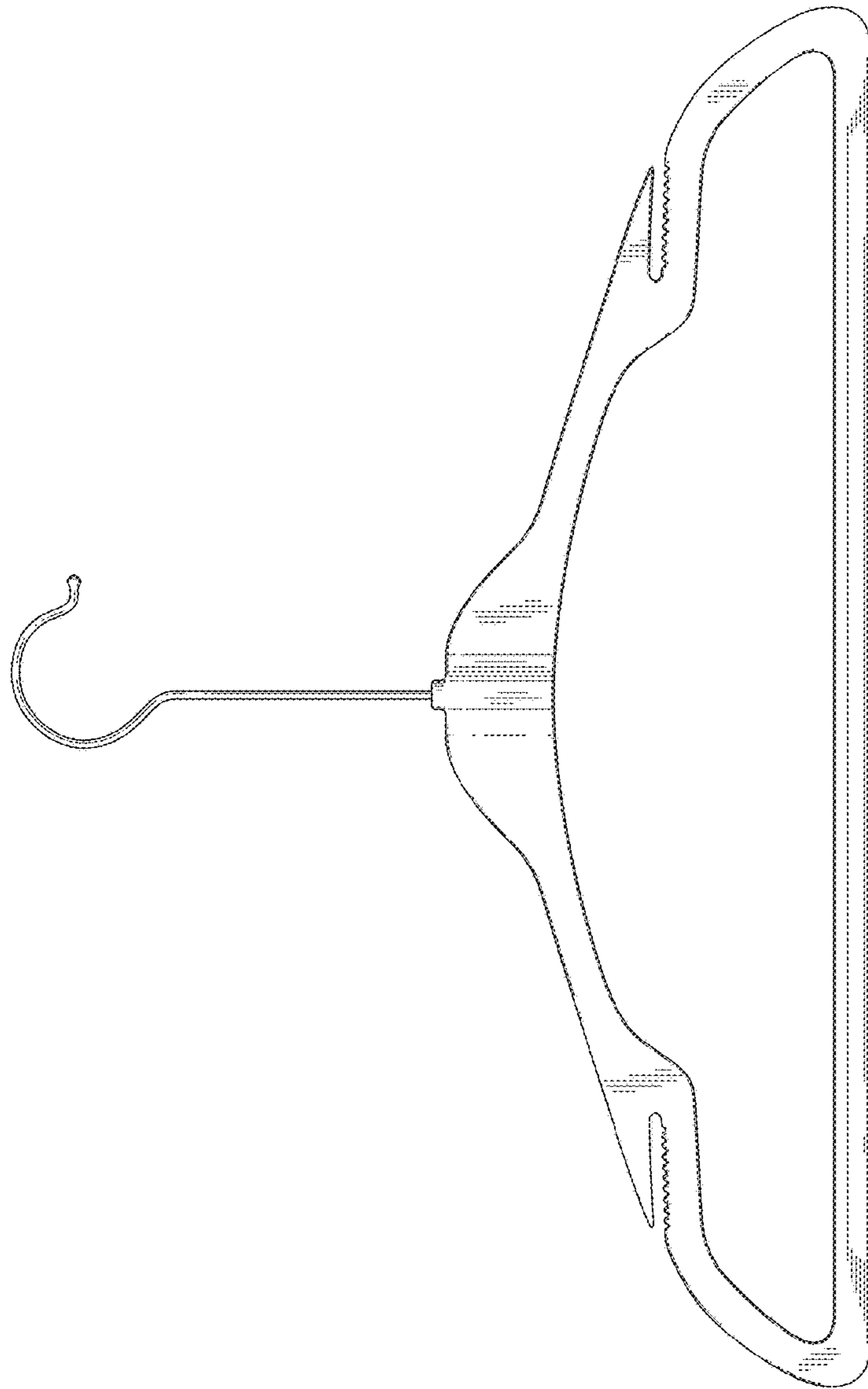


Fig. 3



Fig. 5



Fig. 4



Fig. 6



Fig. 7

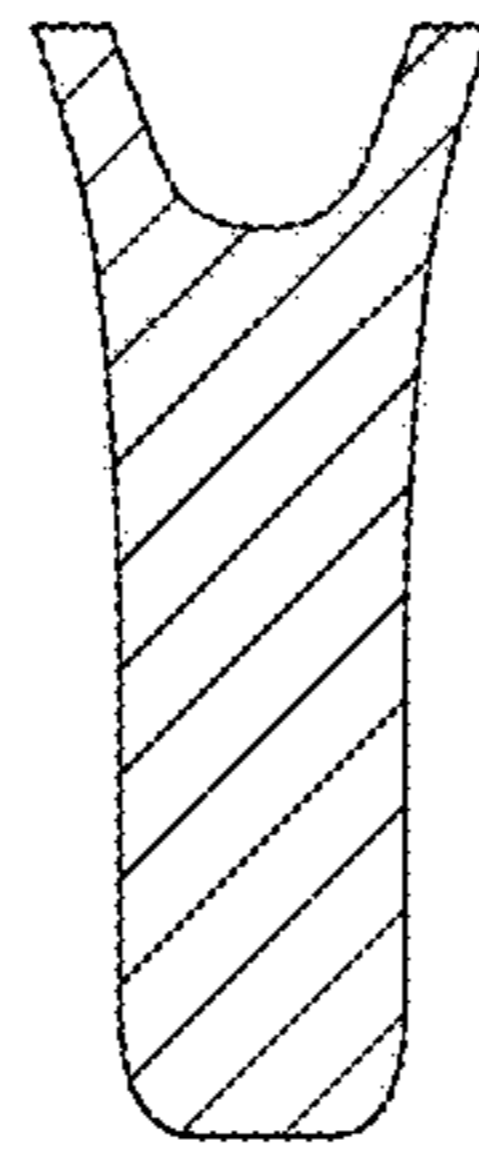


Fig. 8

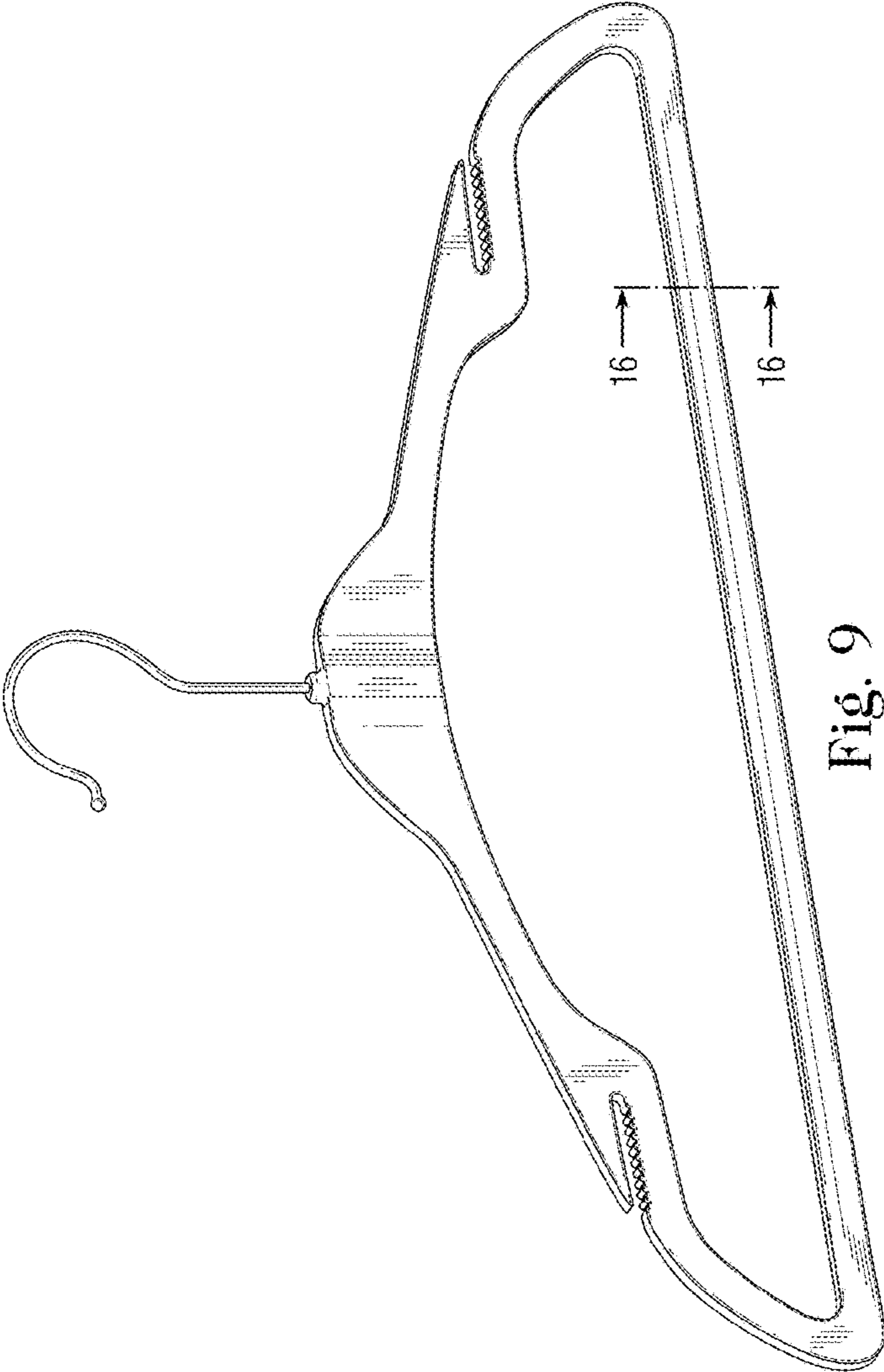


Fig. 9

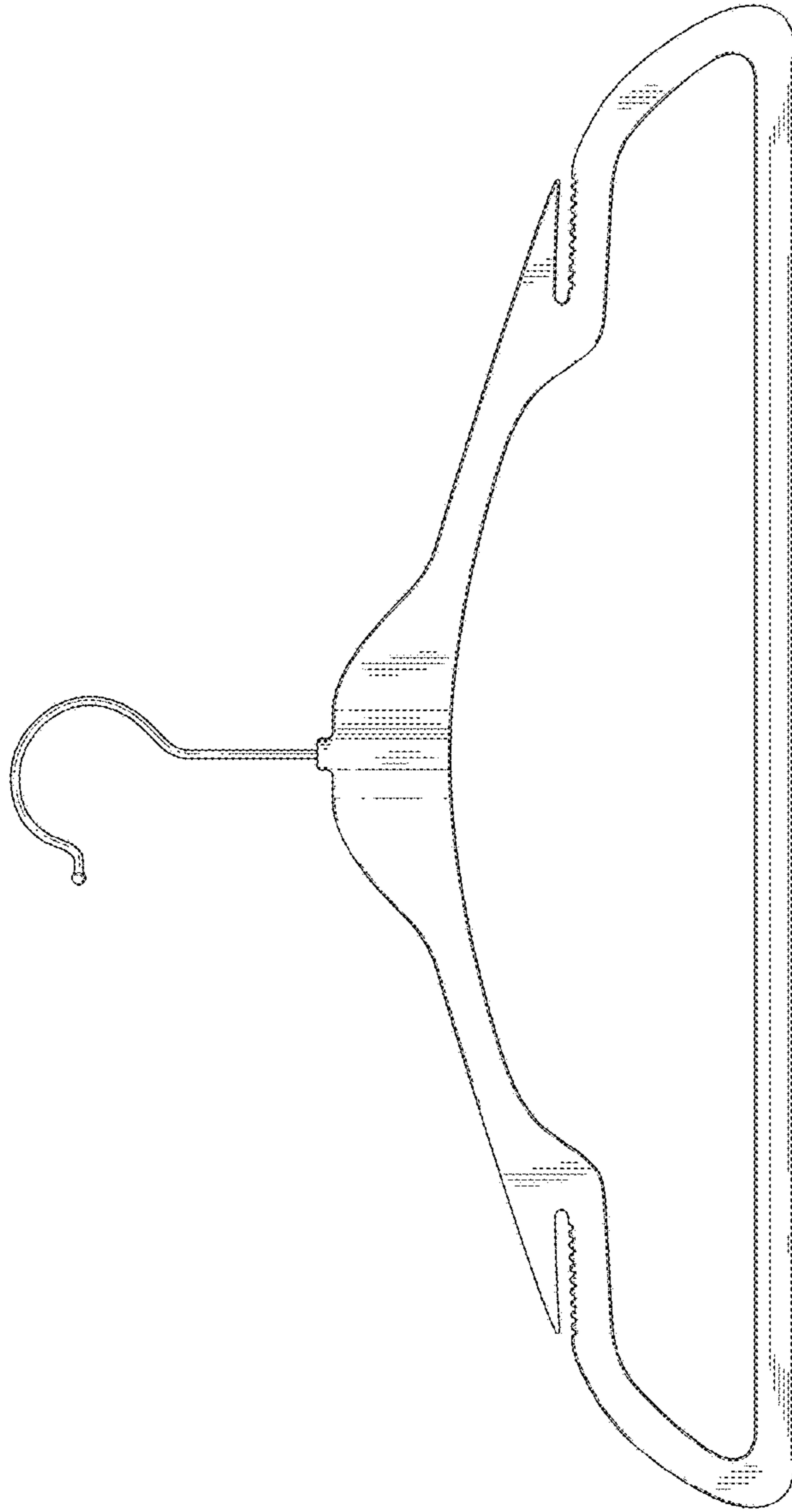


Fig. 10

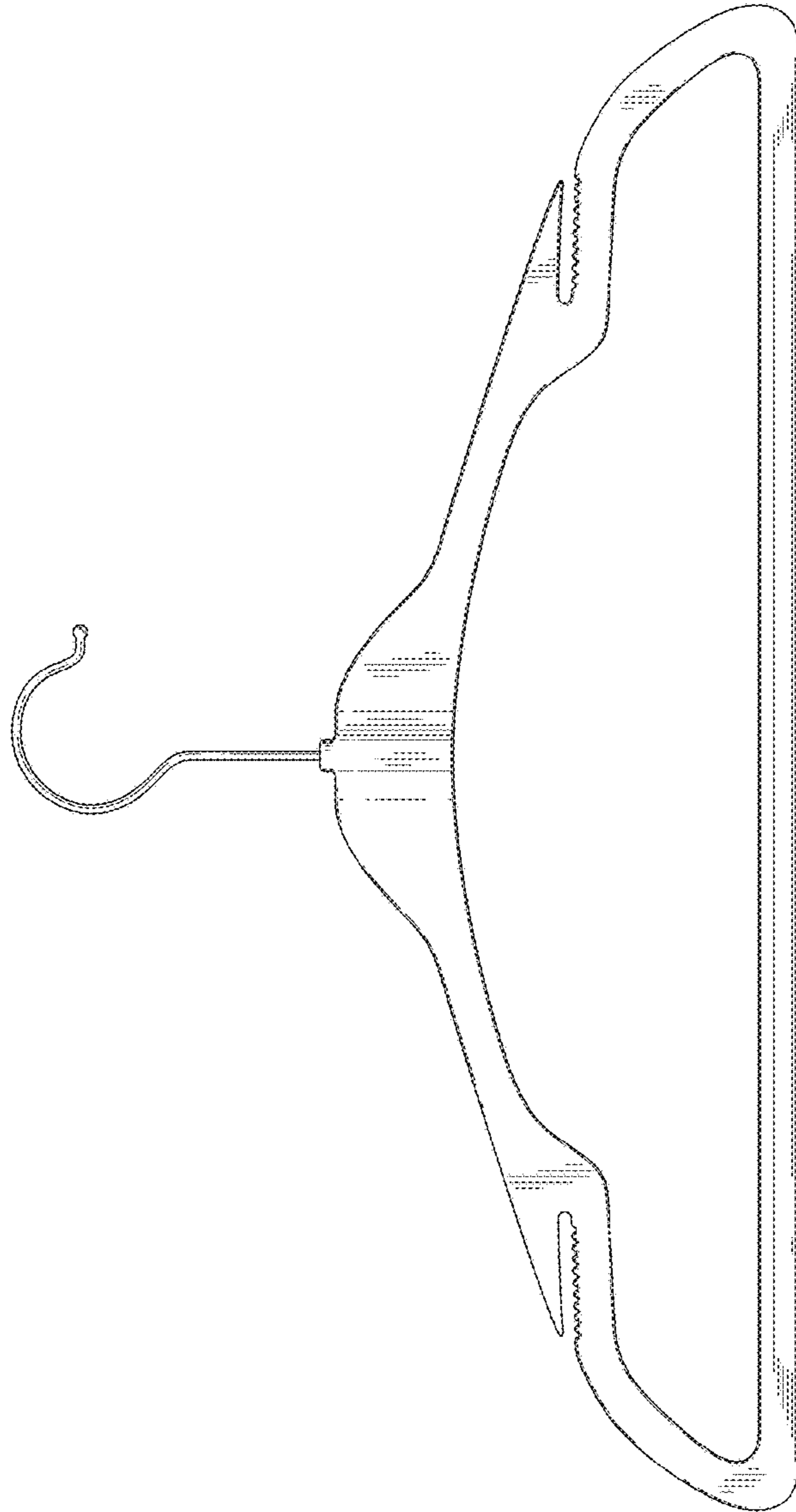


Fig. 11

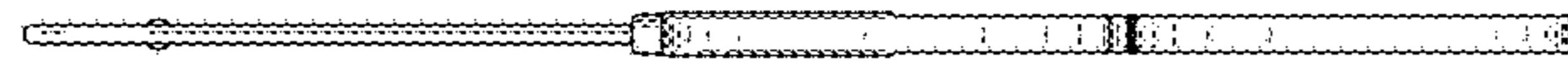


Fig. 13

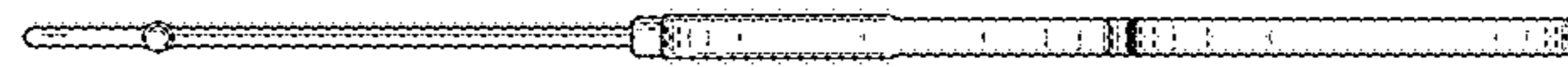


Fig. 12



Fig. 14

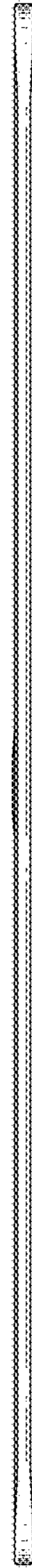


Fig. 15

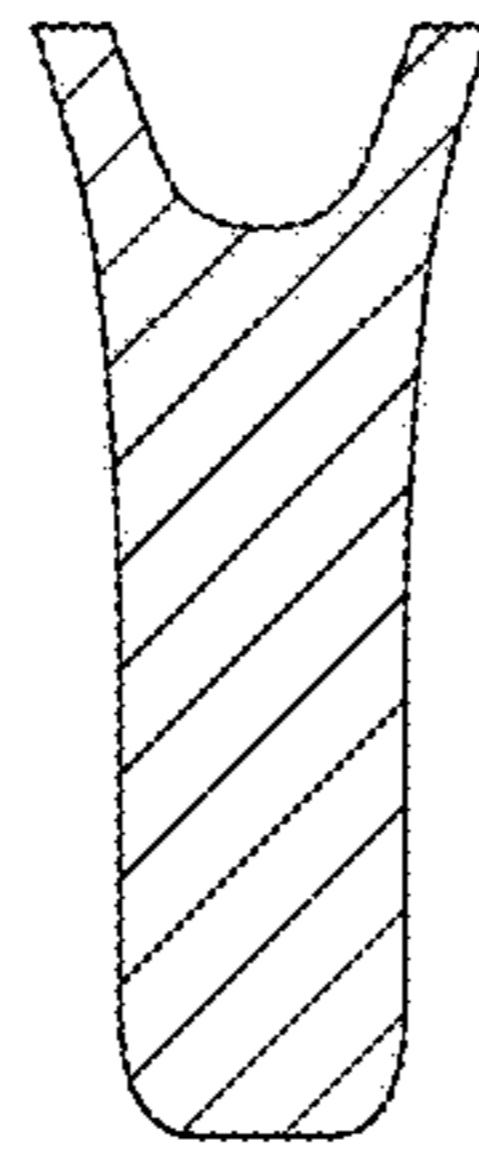


Fig. 16