



US00D853134S

(12) **United States Design Patent**
Zhang

(10) **Patent No.:** **US D853,134 S**

(45) **Date of Patent:** **** Jul. 9, 2019**

(54) **EASEL**

(71) Applicant: **ShangHai DongCe Network
Technology Co., Ltd, Shanghai (CN)**

(72) Inventor: **Jie Zhang, Shanghai (CN)**

(73) Assignee: **SHANGHAI DONGCE NETWORK
TECHNOLOGY CO., LTD., Shanghai
(CN)**

(**) Term: **15 Years**

(21) Appl. No.: **29/603,335**

(22) Filed: **May 9, 2017**

(51) **LOC (11) Cl.** **06-01**

(52) **U.S. Cl.**
USPC **D6/310**

(58) **Field of Classification Search**
USPC D6/300-314
CPC G09F 1/12; G09F 7/18; A47G 1/06; A47G
1/0638; A47G 1/14; A47G 1/141; A47B
97/04; A47B 97/08
See application file for complete search history.

(56) **References Cited**

U.S. PATENT DOCUMENTS

- 3,195,849 A * 7/1965 Maddox A47B 97/04
248/441.1
- 4,123,127 A * 10/1978 Ford A47B 97/08
312/230
- 4,971,284 A * 11/1990 Curry A47B 97/04
248/165
- D346,287 S * 4/1994 Rosen D6/310

- D380,232 S * 6/1997 Egan D20/10
- D401,279 S * 11/1998 Thorp D19/114
- D401,625 S * 11/1998 Verbeek D19/114
- D431,910 S * 10/2000 Glass D6/310
- D552,383 S * 10/2007 Glebe D6/312
- D695,029 S * 12/2013 Jewett D6/310

* cited by examiner

Primary Examiner — Deanna L Pratt

(74) *Attorney, Agent, or Firm* — Yong Chen

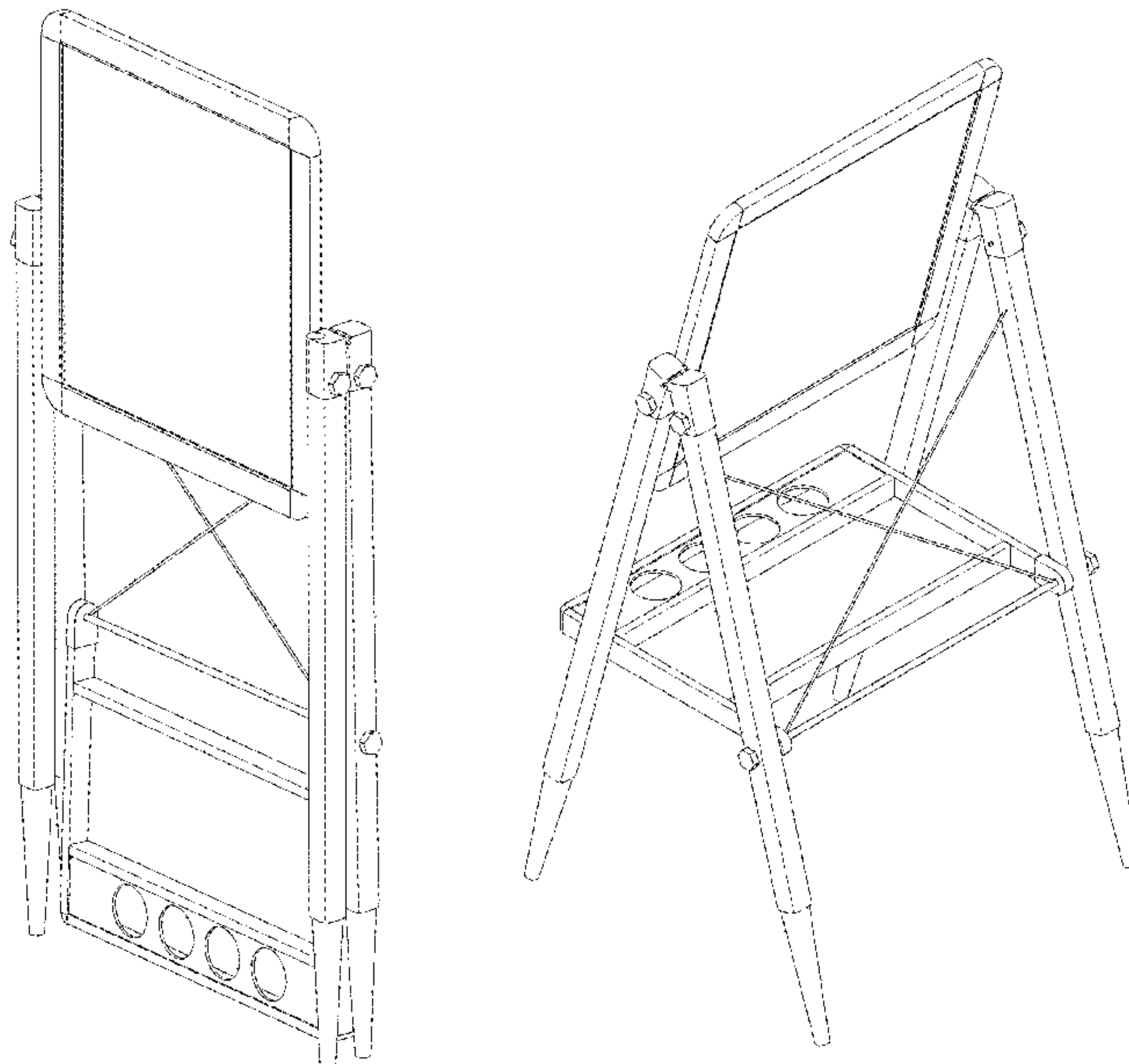
(57) **CLAIM**

The ornamental design for an easel, as shown and described.

DESCRIPTION

FIG. 1 is a front view of an easel of the present invention in a folded configuration.
 FIG. 2 is a left view of the easel shown in FIG. 1.
 FIG. 3 is a right view of the easel shown in FIG. 1.
 FIG. 4 is a back view of the easel shown in FIG. 1.
 FIG. 5 is a top view of the easel shown in FIG. 1.
 FIG. 6 is a bottom view of the easel shown in FIG. 1.
 FIG. 7 is a perspective view of the easel shown in FIG. 1.
 FIG. 8 is a front view of the easel of the present invention in an open configuration.
 FIG. 9 is a left view of the easel shown in FIG. 8.
 FIG. 10 is a right view of the easel shown in FIG. 8.
 FIG. 11 is a back view of the easel shown in FIG. 8.
 FIG. 12 is a top view of the easel shown in FIG. 8.
 FIG. 13 is a bottom view of the easel shown in FIG. 8; and,
 FIG. 14 is a perspective view of the easel shown in FIG. 8.

1 Claim, 14 Drawing Sheets



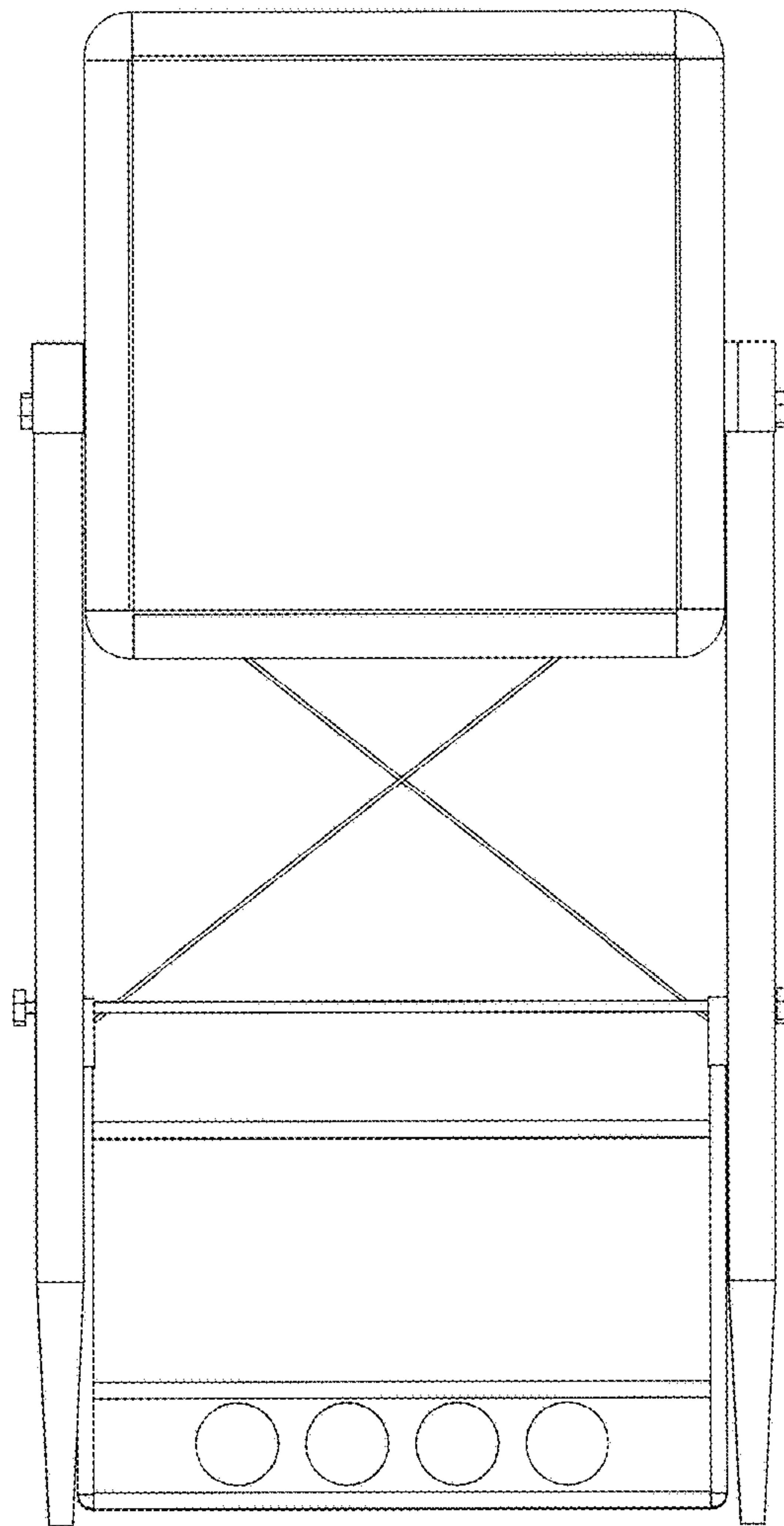


FIG. 1

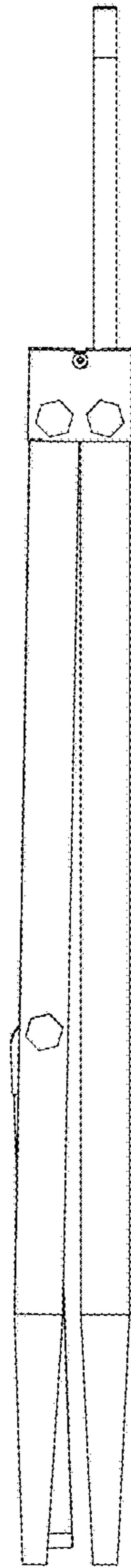


FIG. 2

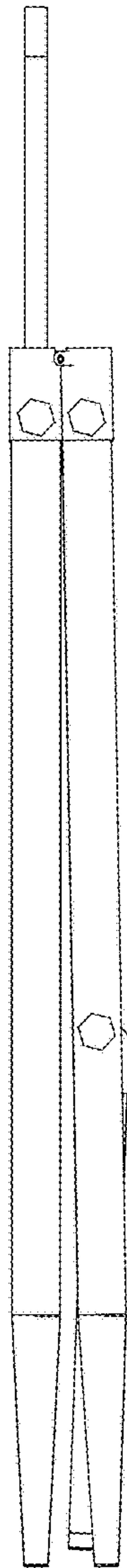


FIG. 3

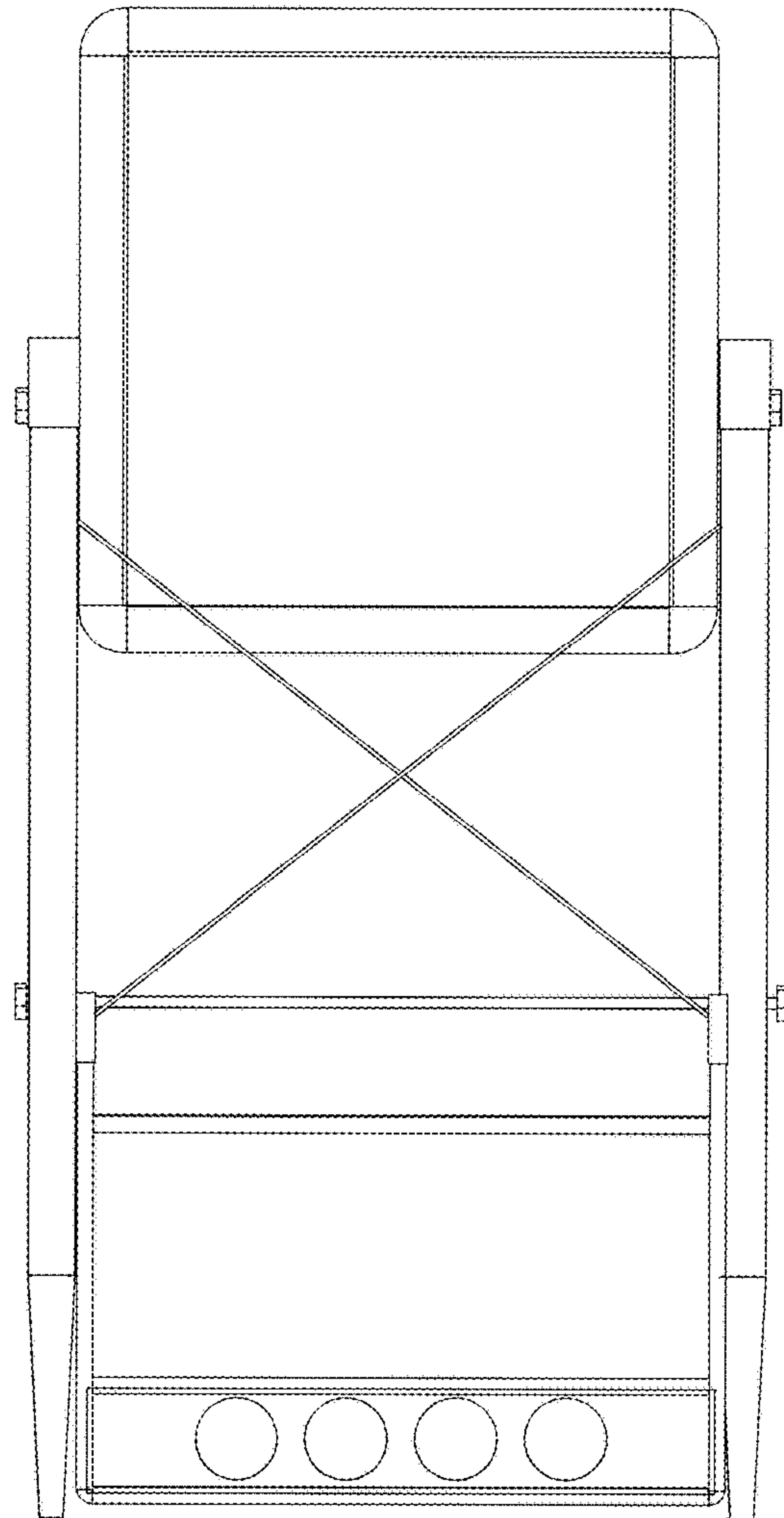


FIG. 4

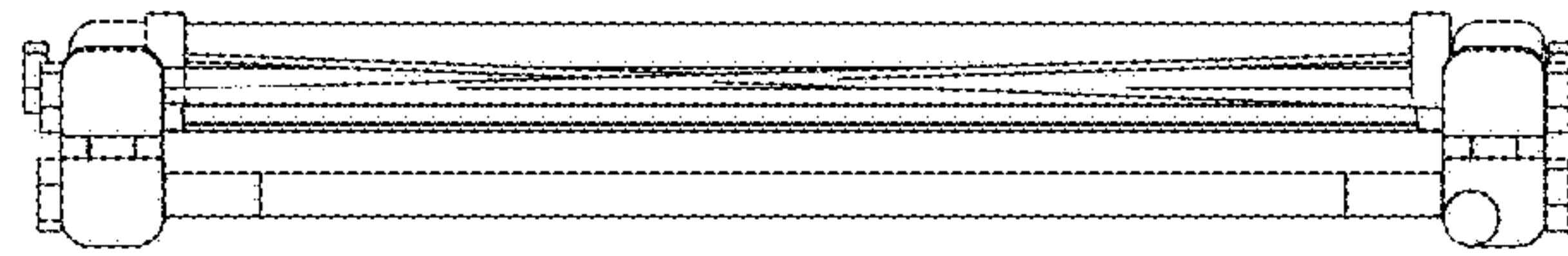


FIG. 5

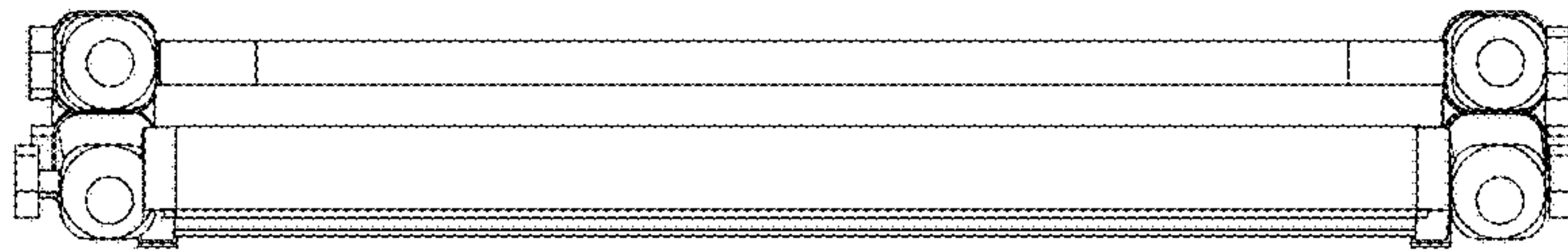


FIG. 6

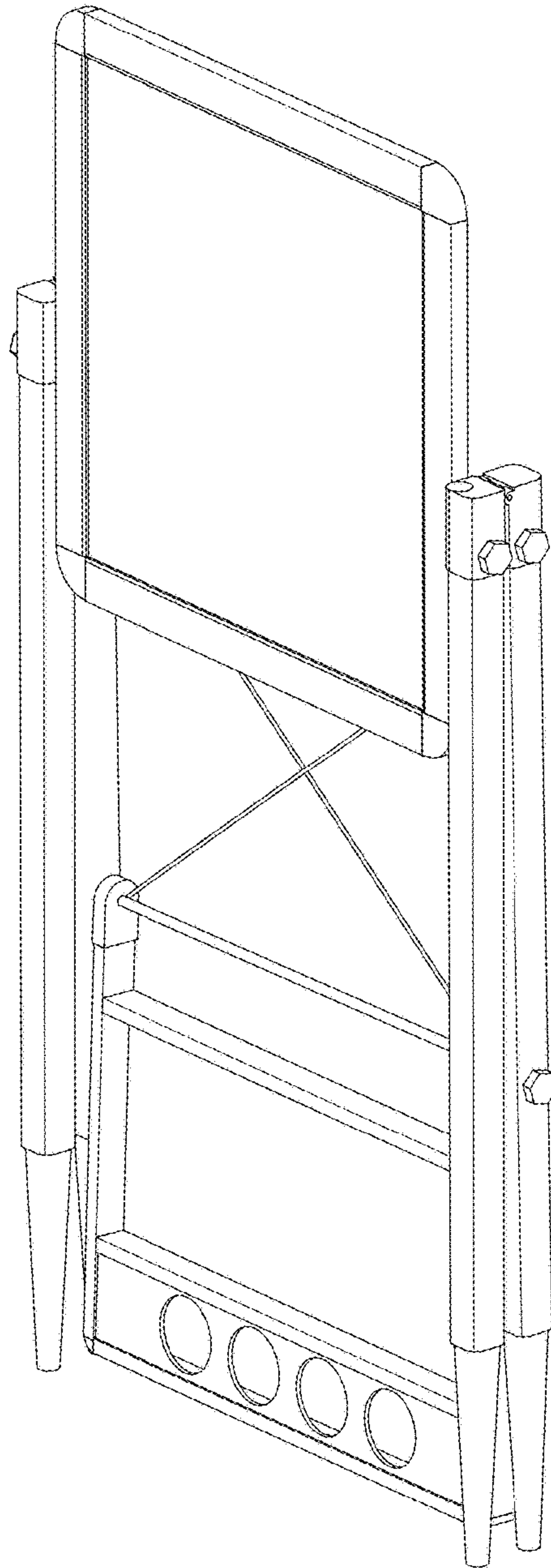


FIG. 7

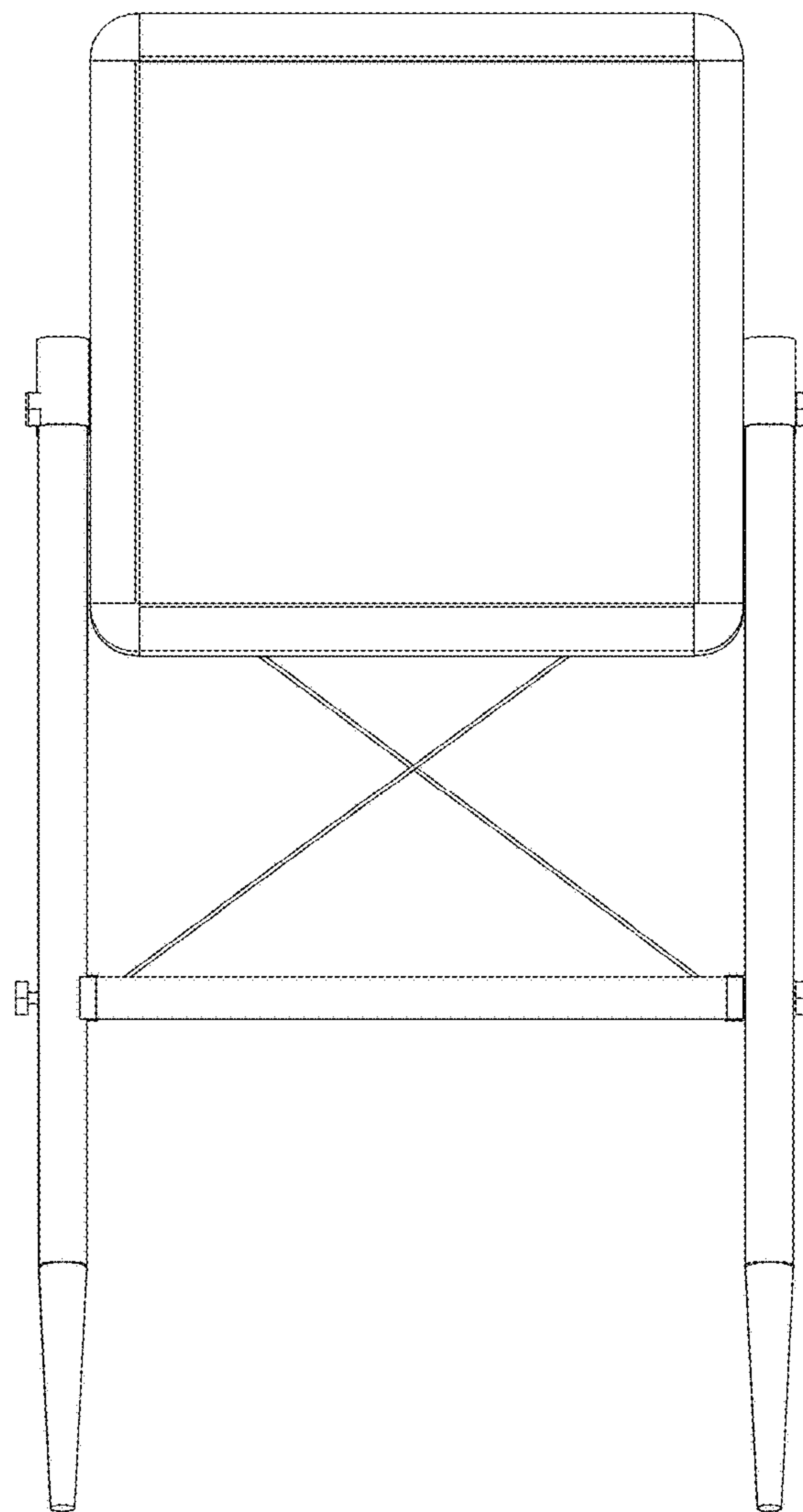


FIG. 8

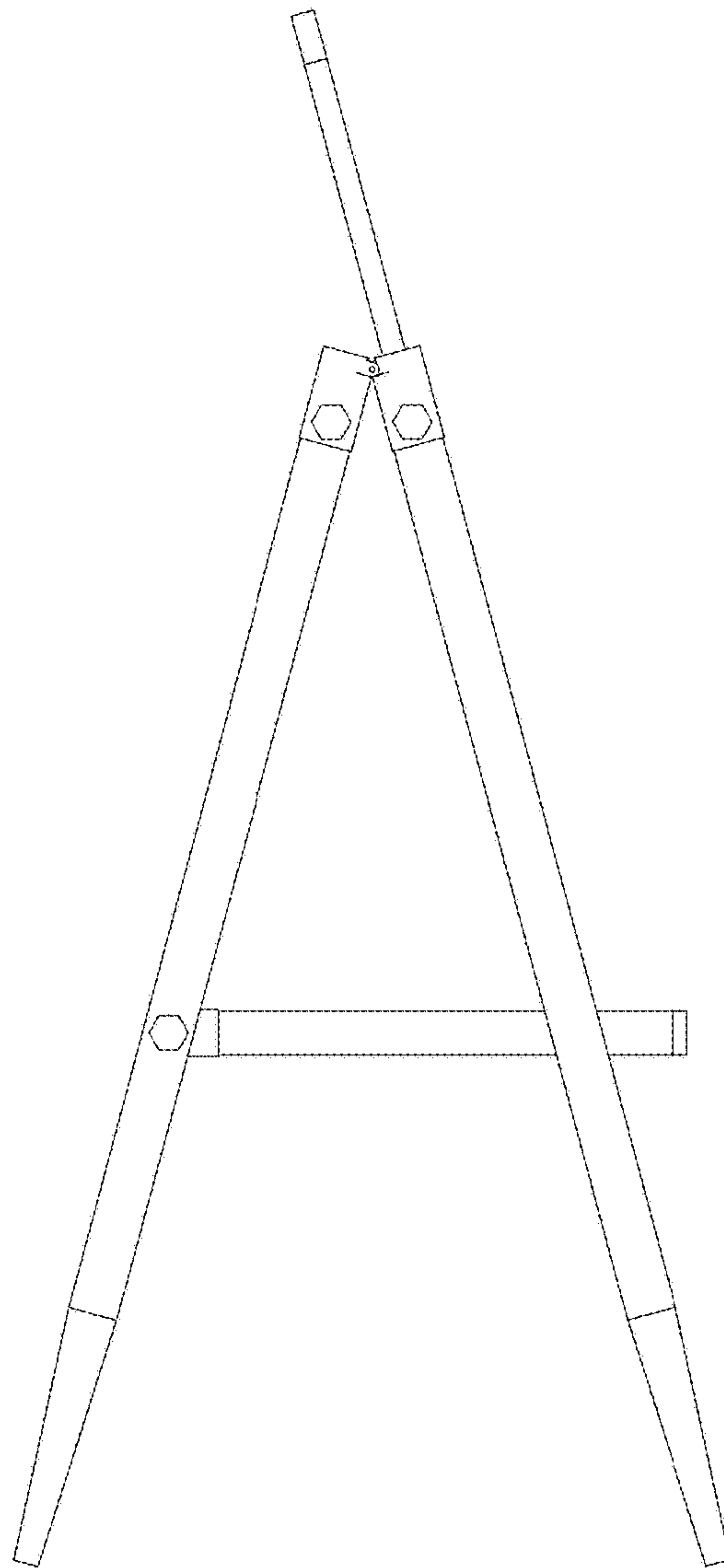


FIG. 9

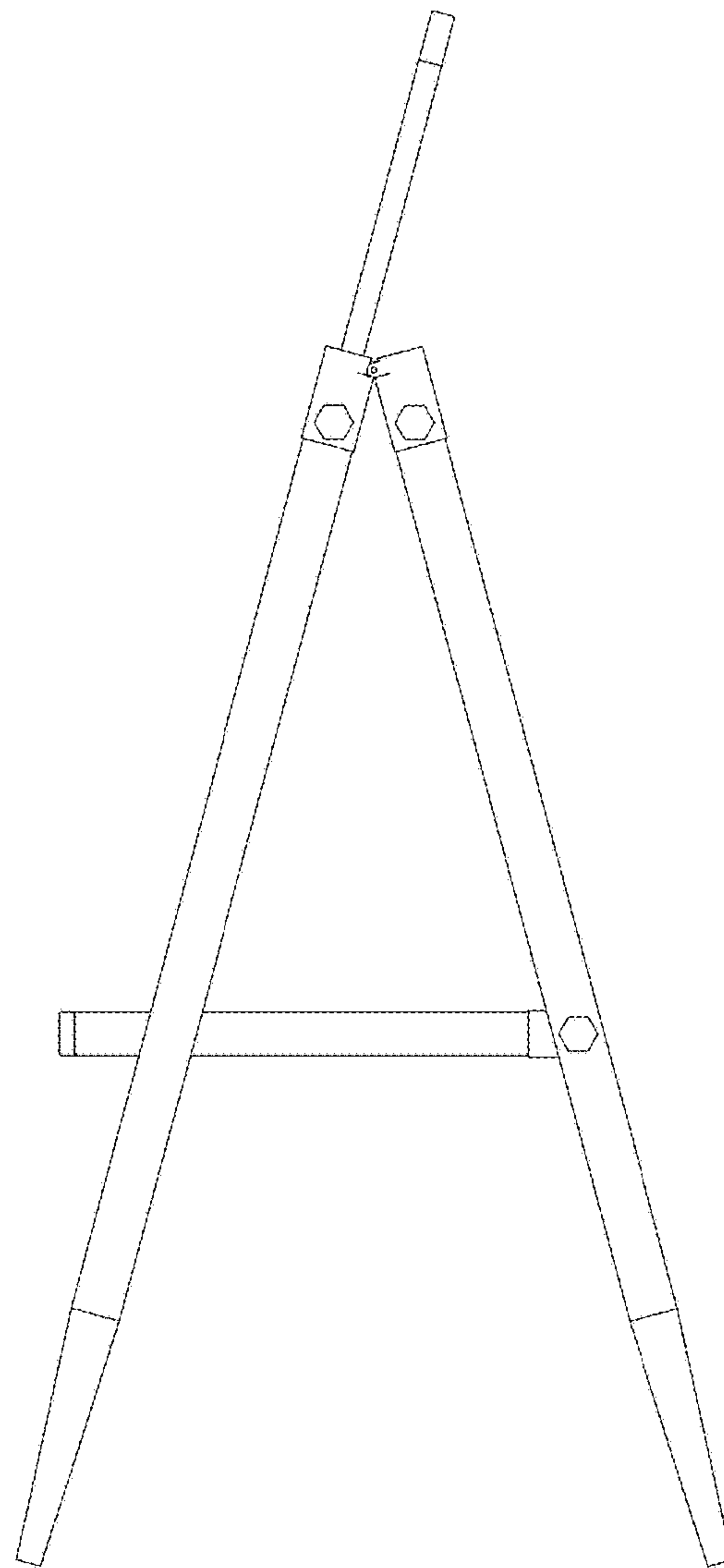


FIG. 10

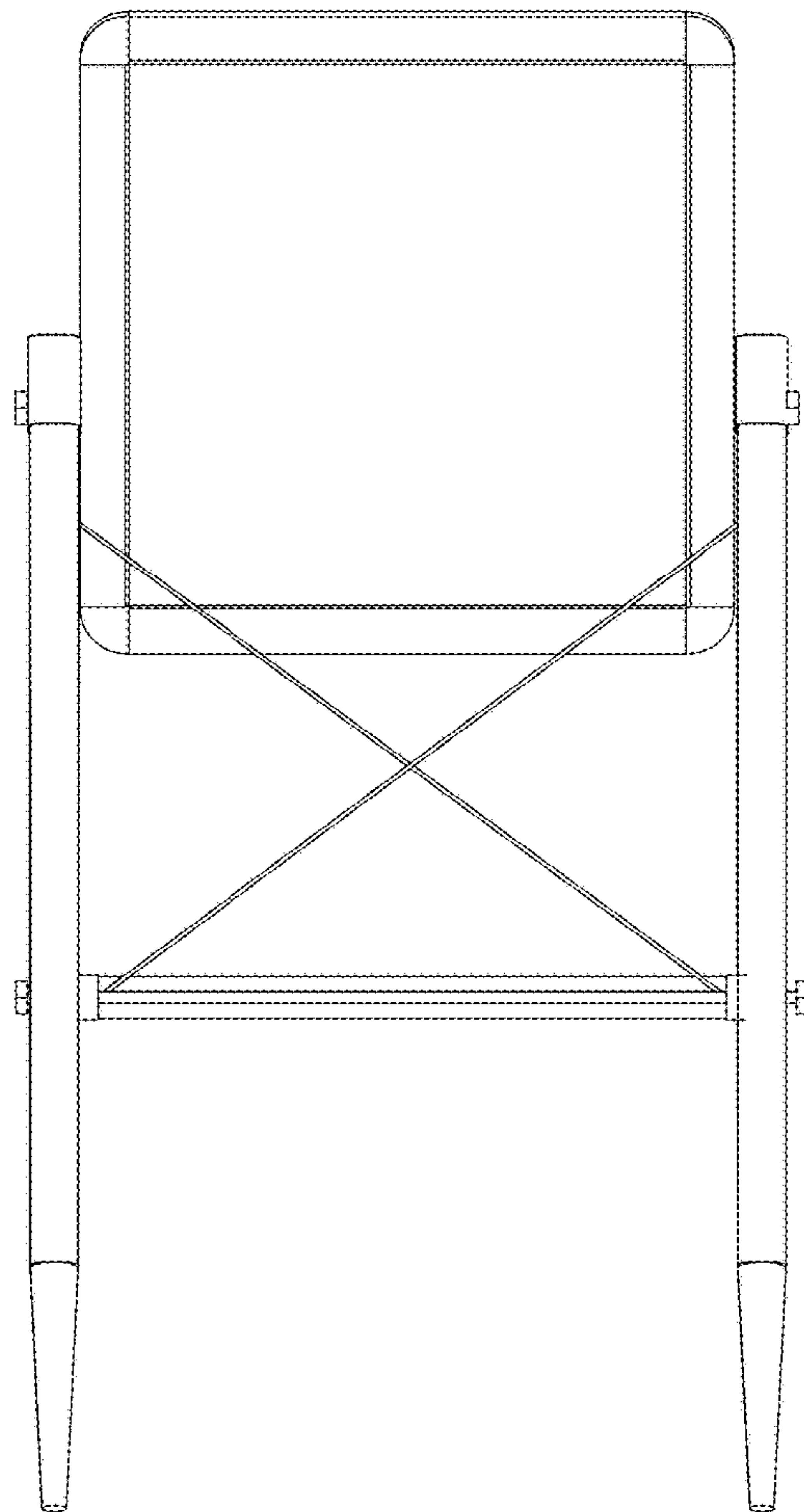


FIG. 11

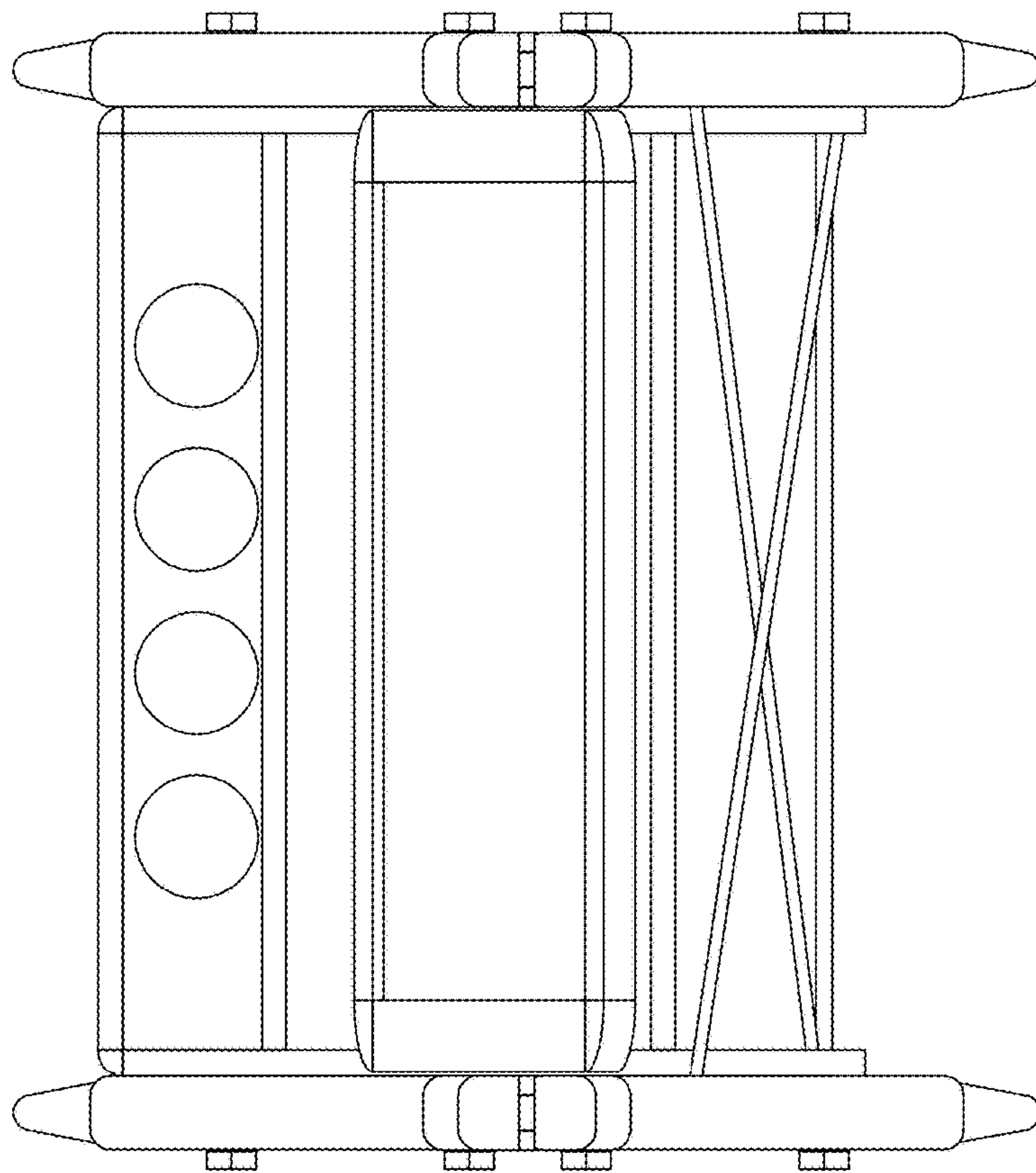


FIG. 12

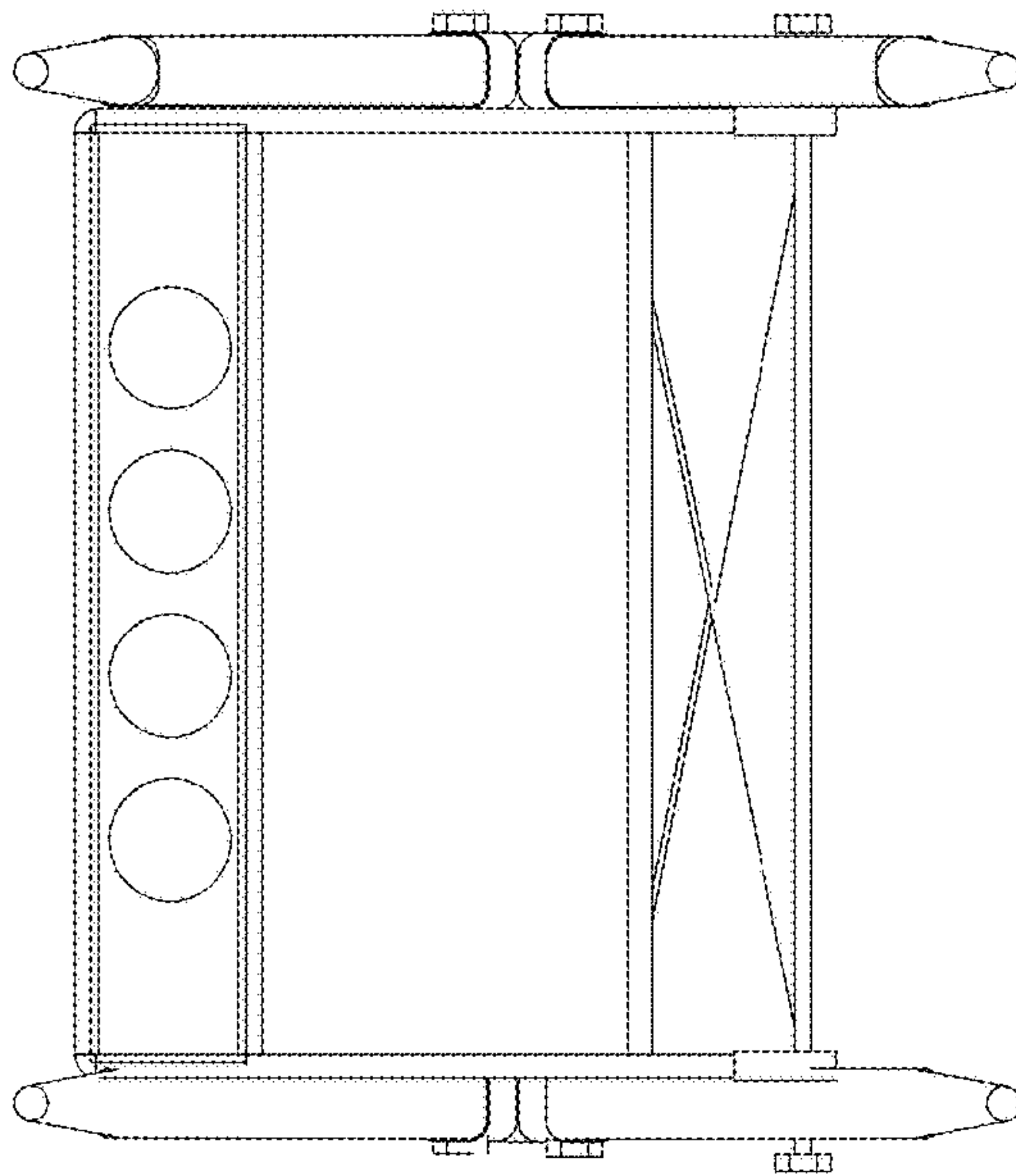


FIG. 13

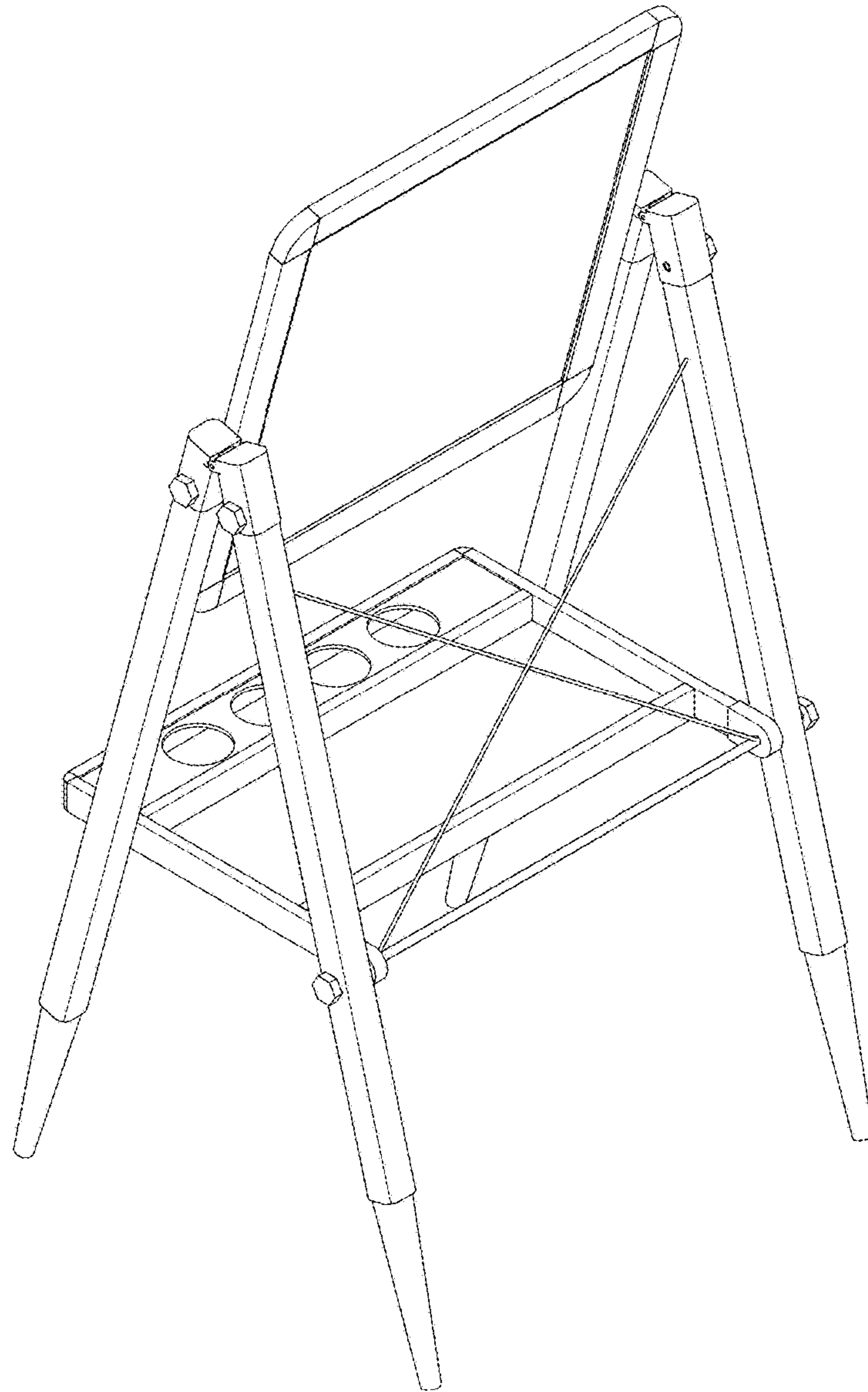


FIG. 14