



US00D853129S

(12) **United States Design Patent**
Waldenburger

(10) **Patent No.:** **US D853,129 S**

(45) **Date of Patent:** **** Jul. 9, 2019**

(54) **JOINT GAP CLEANING BRUSH**

(56) **References Cited**

(71) Applicant: **André Waldenburger**, Sauerlach-Arget (DE)

U.S. PATENT DOCUMENTS

(72) Inventor: **André Waldenburger**, Sauerlach-Arget (DE)

630,844 A	8/1899	Barratt	
879,754 A	2/1908	Featherstone	
D226,698 S	4/1973	Lynn	
3,761,990 A	10/1973	Lynn	
D235,942 S	7/1975	Rocke	
4,763,379 A *	8/1988	Hanna	A46B 7/02 15/160
D305,963 S	2/1990	Brinker et al.	

(Continued)

(**) Term: **15 Years**

(21) Appl. No.: **29/655,773**

(22) Filed: **Jul. 6, 2018**

FOREIGN PATENT DOCUMENTS

CA	1 125 708 A	6/1982
DE	3410043 A1	9/1985

(Continued)

Related U.S. Application Data

(62) Division of application No. 29/588,161, filed on Dec. 19, 2016, now Pat. No. Des. 825,933.

OTHER PUBLICATIONS

The extended European search report issued by the European Patent Office dated Apr. 18, 2017, which corresponds to EP16193145.6-1658 and is related to U.S. Appl. No. 29/588,161.

(30) **Foreign Application Priority Data**

Dec. 5, 2016	(EM)	003500859-0001
Dec. 5, 2016	(EM)	003500859-0002
Dec. 5, 2016	(EM)	003500859-0003
Dec. 5, 2016	(EM)	003500859-0004
Dec. 5, 2016	(EM)	003500859-0005

(Continued)

Primary Examiner — Karen E Eldridge Powers
(74) *Attorney, Agent, or Firm* — Studebaker & Brackett PC

(51) **LOC (11) Cl.** **04-01**

(57) **CLAIM**

The ornamental design for a joint gap cleaning brush, as shown and described.

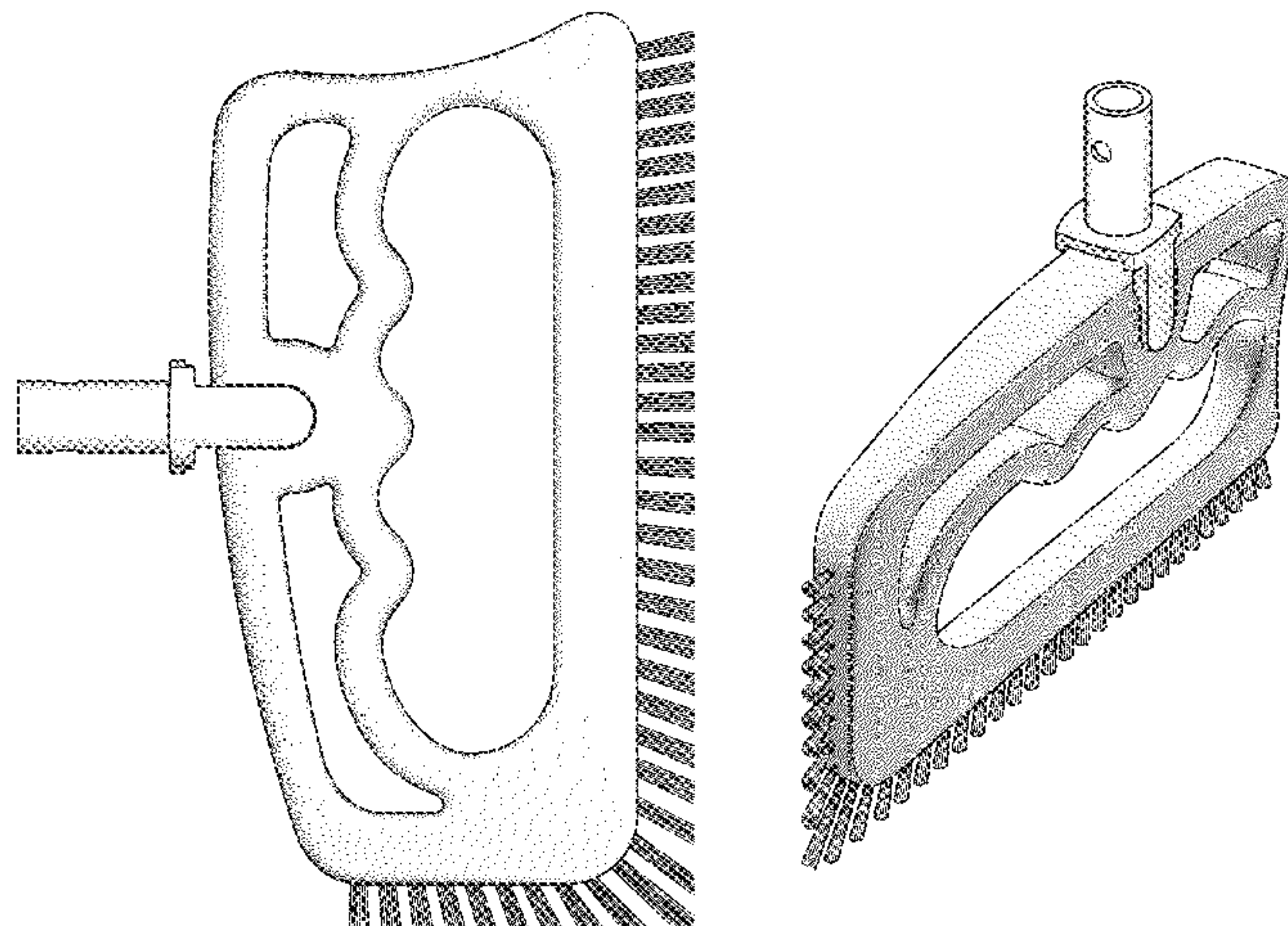
(52) **U.S. Cl.**
USPC **D4/129**

DESCRIPTION

(58) **Field of Classification Search**
USPC D4/104, 114, 115, 116, 117, 118, 119, D4/120, 121, 127, 128, 129, 130, 131, D4/132, 133, 134, 135, 136, 137, 138, D4/199; D32/39, 40
CPC .. A46B 5/00; A46B 5/02; A46B 5/021; A46B 9/02; A46B 2200/30; A46B 2200/302; A46B 2200/3026; A46B 2200/3073; B25G 1/00; B25G 1/01; B25G 1/102
See application file for complete search history.

FIG. 1 is a front elevation view of a joint gap cleaning brush, showing my new design,
FIG. 2 is a rear elevation view thereof,
FIG. 3 is a side elevation view thereof,
FIG. 4 is an opposite side elevation view thereof,
FIG. 5 is a top plan view thereof,
FIG. 6 is a bottom plan view thereof; and,
FIG. 7 is a perspective view thereof.

1 Claim, 7 Drawing Sheets



(56)

References Cited

U.S. PATENT DOCUMENTS

5,606,772 A 3/1997 Ilic
 D388,617 S 1/1998 Ancona et al.
 5,799,360 A 9/1998 Vosbikian
 5,809,604 A 9/1998 Olstyn
 6,073,298 A 6/2000 O'Brien
 D428,706 S 8/2000 Thunderchild
 D433,571 S 11/2000 Ancona et al.
 D446,654 S 8/2001 Berni
 6,425,705 B1 7/2002 Ingram
 6,488,432 B1 12/2002 Ingram
 D570,604 S 6/2008 Edwards
 8,276,236 B2 10/2012 Goodman et al.
 8,684,619 B2 4/2014 Uchiyama et al.
 D786,565 S 5/2017 Lauridsen
 9,743,747 B2 8/2017 Perez
 D825,933 S * 8/2018 Waldenburger D4/129
 2009/0083925 A1 4/2009 Mathiez
 2011/0277257 A1 11/2011 Chapman et al.

FOREIGN PATENT DOCUMENTS

DE 9002346 U1 7/1990
 DE 197 22 285 A1 12/1998
 DE 202 09 986 U1 12/2002
 DE 20 2004 016 043 U1 2/2005
 DE 10 2004 063 828 A1 7/2006
 EM 000074448-0001 1/2004
 EM 002676502-0001 6/2015

EP 0 880 917 A2 12/1998
 GB 255 586 A 7/1926
 JP 2002-360340 A 12/2002
 WO 2004/037451 A1 5/2004

OTHER PUBLICATIONS

Video of "Der Fuginator," by Andre Waldenburger [on-line]. Posted to the Internet Jul. 7, 2012; retrieved from the Internet Jan. 12, 2018. URL: <<https://www.youtube.com/watch?v=EDtUGzbn7Rk>>. (Year: 2012).
 Screen shots from Video of "Der Fuginator," by Andre Waldenburger [on-line]. Posted to the Internet Jul. 7, 2012; retrieved from the Internet Jan. 12, 2018. URL: <<https://www.youtube.com/watch?v=EDtUGzbn7Rk>>. (4 pages) (Year: 2012).
 Fuginator Grout Cleaning Brush [on-line]. Date when first available unknown; retrieved from the Internet Jan. 12, 2018. URL: <<https://www.byretch.com/acatalog/Fuginator-Grout-Cleaning-Brush-1.html>>. (9 pages) (Year: 2018).
 Fugidaptor (grout cleaning brush adapter) [on-line]. Date when first available unknown; retrieved from Internet Dec. 1, 2018. URL: <<https://fugenial.de/produkt/fugidaptor-adapter-einzelteil/>>. (8 pages) (Year: 2018).
 Fuginator Master—Fugenburste—Fugenial [on-line]. Uploaded to the Internet Jun. 2017; retrieved from the Internet Dec. 1, 2018. URL: <<https://fugenial.de/produkt/fuginator-master-fugenbuerste/>>. (7 pages) (Year: 2018).

* cited by examiner

FIG. 1

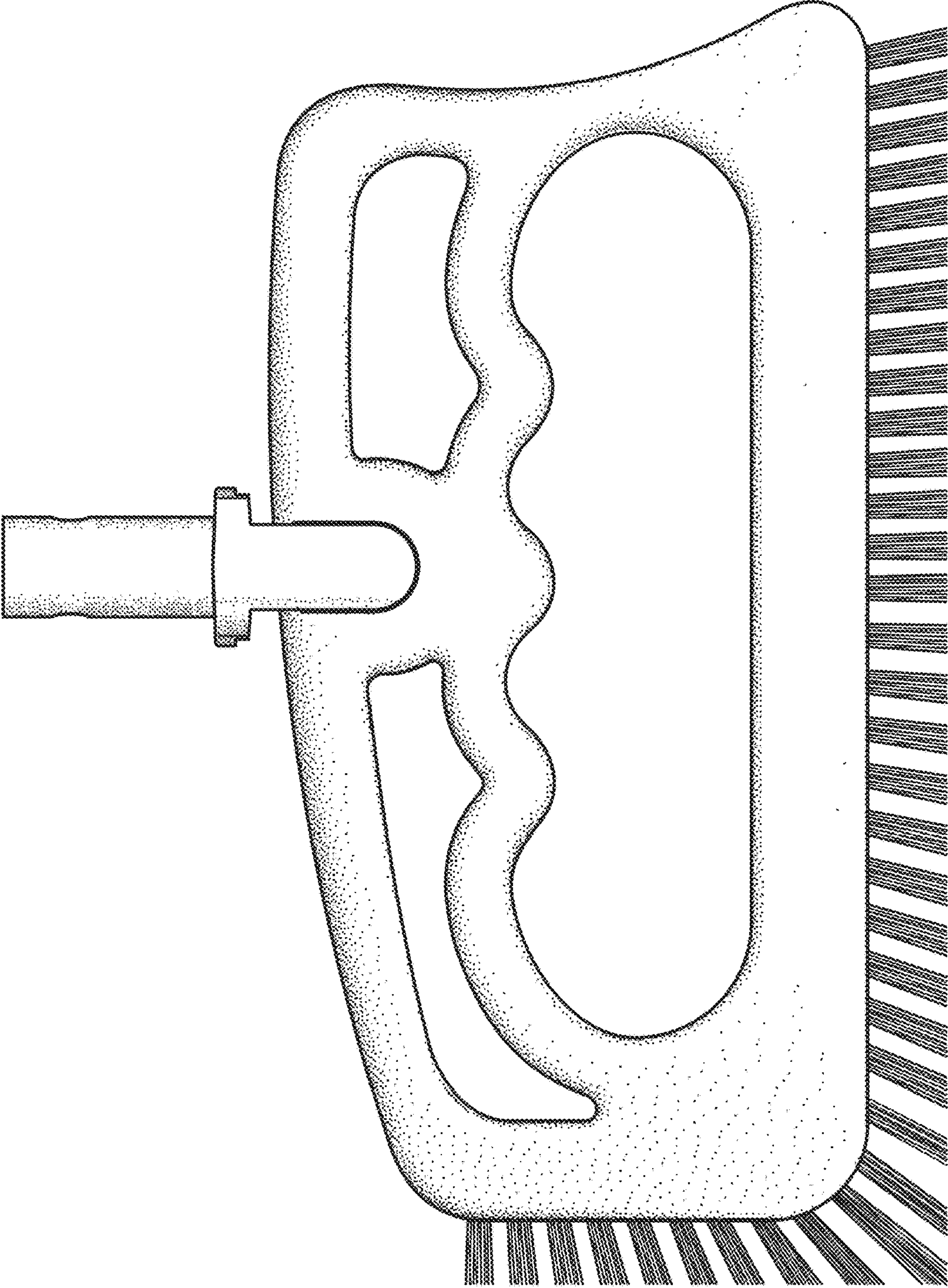


FIG. 2

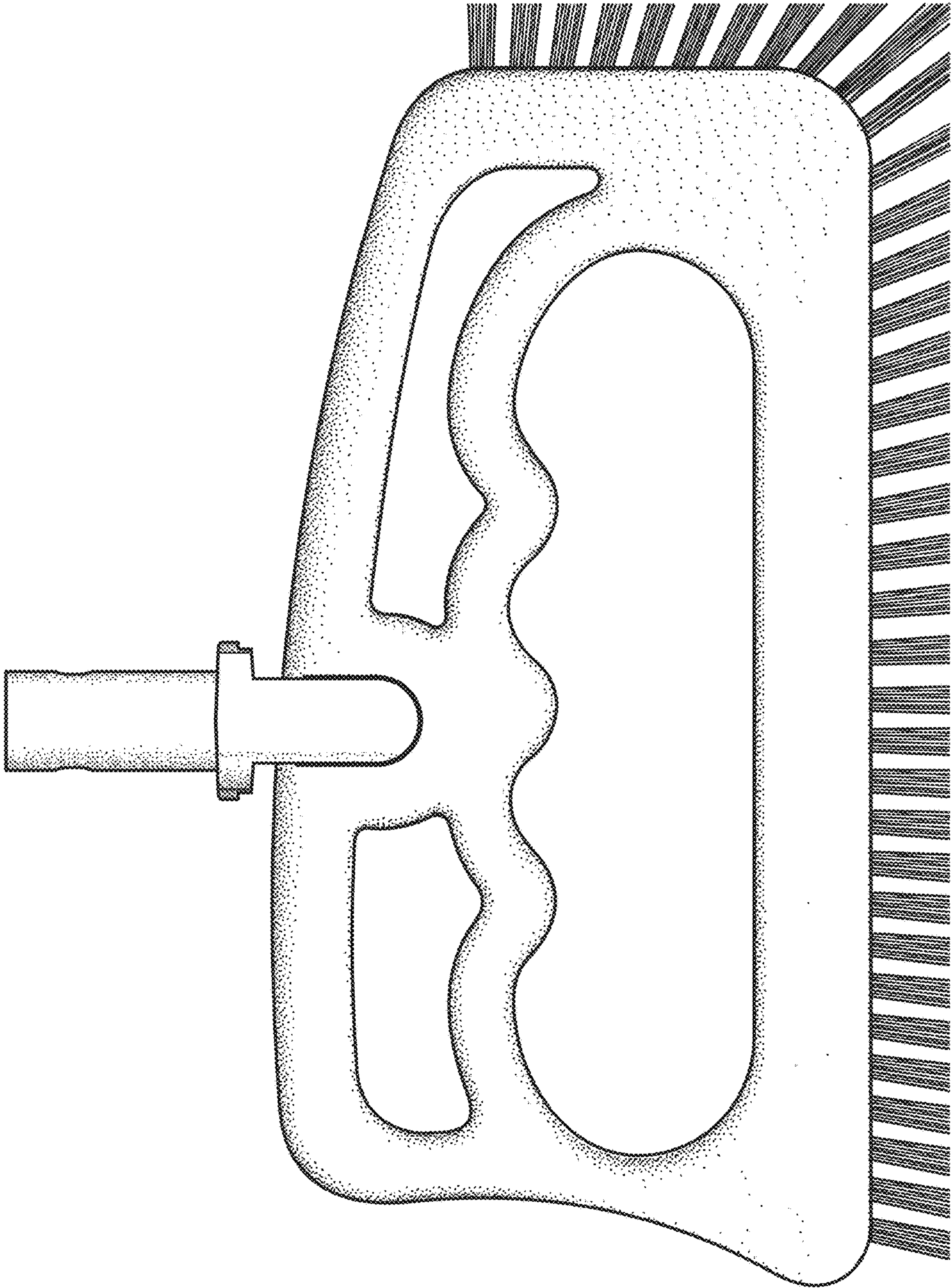


FIG. 3

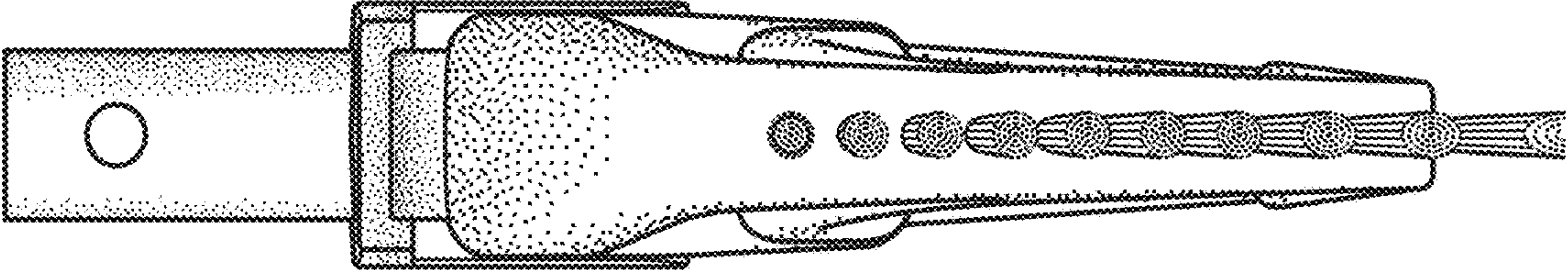


FIG. 4

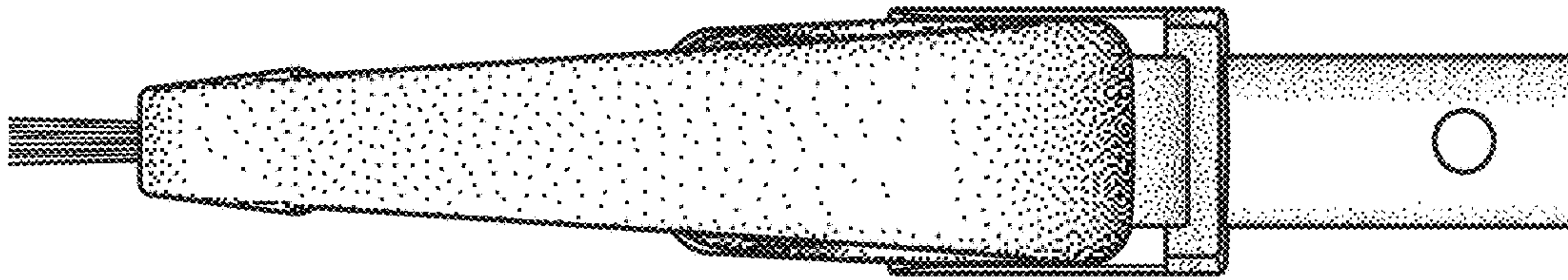


FIG. 5

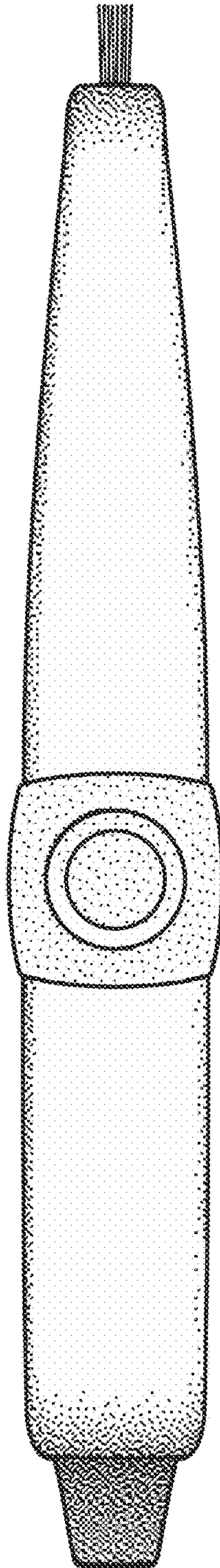


FIG. 6

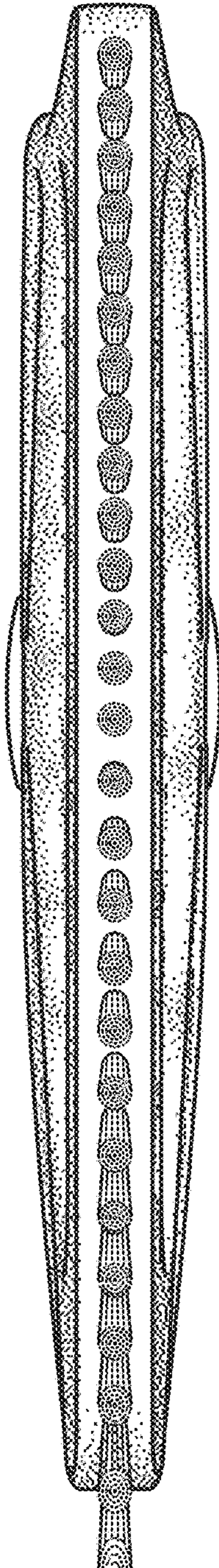


FIG. 7

