



US00D853128S

(12) **United States Design Patent**
Tschopp

(10) **Patent No.:** **US D853,128 S**

(45) **Date of Patent:** **** Jul. 9, 2019**

(54) **BRUSH**
(71) Applicant: **Black & Decker Inc.**, New Britain, CT (US)
(72) Inventor: **Tylan A. Tschopp**, Baltimore, MD (US)
(73) Assignee: **BLACK & DECKER INC.**, New Britain, CT (US)

D449,451 S * 10/2001 Petner D4/129
D479,050 S * 9/2003 Hay D4/129
D577,203 S * 9/2008 Meyer D4/129
D586,561 S * 2/2009 Libman D4/129
D591,513 S * 5/2009 McNeil D4/129
D630,438 S * 1/2011 Raven D4/129
D630,439 S * 1/2011 Raven D4/129
D715,060 S * 10/2014 Evans D4/121

(**) Term: **15 Years**
(21) Appl. No.: **29/627,382**

FOREIGN PATENT DOCUMENTS

CN 302811336 * 5/2014
CN 303695820 * 6/2016
EM 002287003-0001 * 8/2013
EM 005238094-0001 * 5/2018

(22) Filed: **Nov. 27, 2017**
(51) **LOC (11) Cl.** **04-02**
(52) **U.S. Cl.**
USPC **D4/129**
(58) **Field of Classification Search**
USPC D4/116, 117, 118, 119, 120, 132, 134,
D4/138, 130, 136, 199, 122, 137, 104,
D4/129; D8/107; D32/40, 51
CPC A46B 5/02; A46B 9/02; A46B 2200/3033;
A46B 2200/30
See application file for complete search history.

* cited by examiner

Primary Examiner — Karen E Eldridge Powers
(74) *Attorney, Agent, or Firm* — Adan Ayala

(57) **CLAIM**

The ornamental design for a brush, as shown and described.

DESCRIPTION

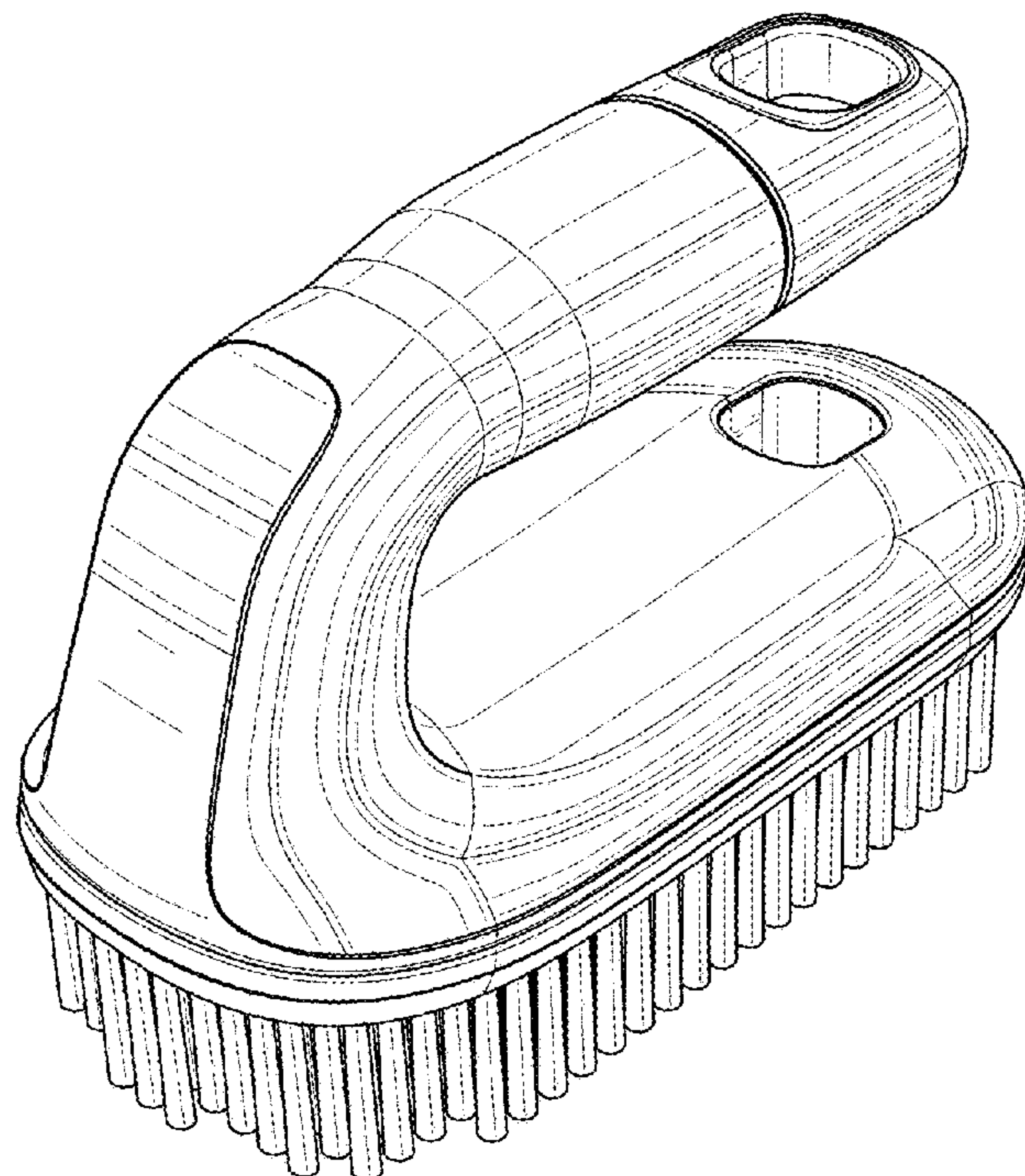
FIG. 1 is a front perspective view of a brush according to the invention.
FIG. 2 is a front elevation view of the brush of FIG. 1.
FIG. 3 is a rear elevation view of the brush of FIG. 1.
FIG. 4 is a left side elevation view of the brush of FIG. 1.
FIG. 5 is a right side elevation view of the brush of FIG. 1.
FIG. 6 is a top plan view of the brush of FIG. 1; and,
FIG. 7 is a bottom plan view of the brush of FIG. 1.

(56) **References Cited**

U.S. PATENT DOCUMENTS

D329,752 S * 9/1992 Murphy D4/129
5,355,545 A * 10/1994 Hoagland A46B 5/00
132/73.5

1 Claim, 5 Drawing Sheets



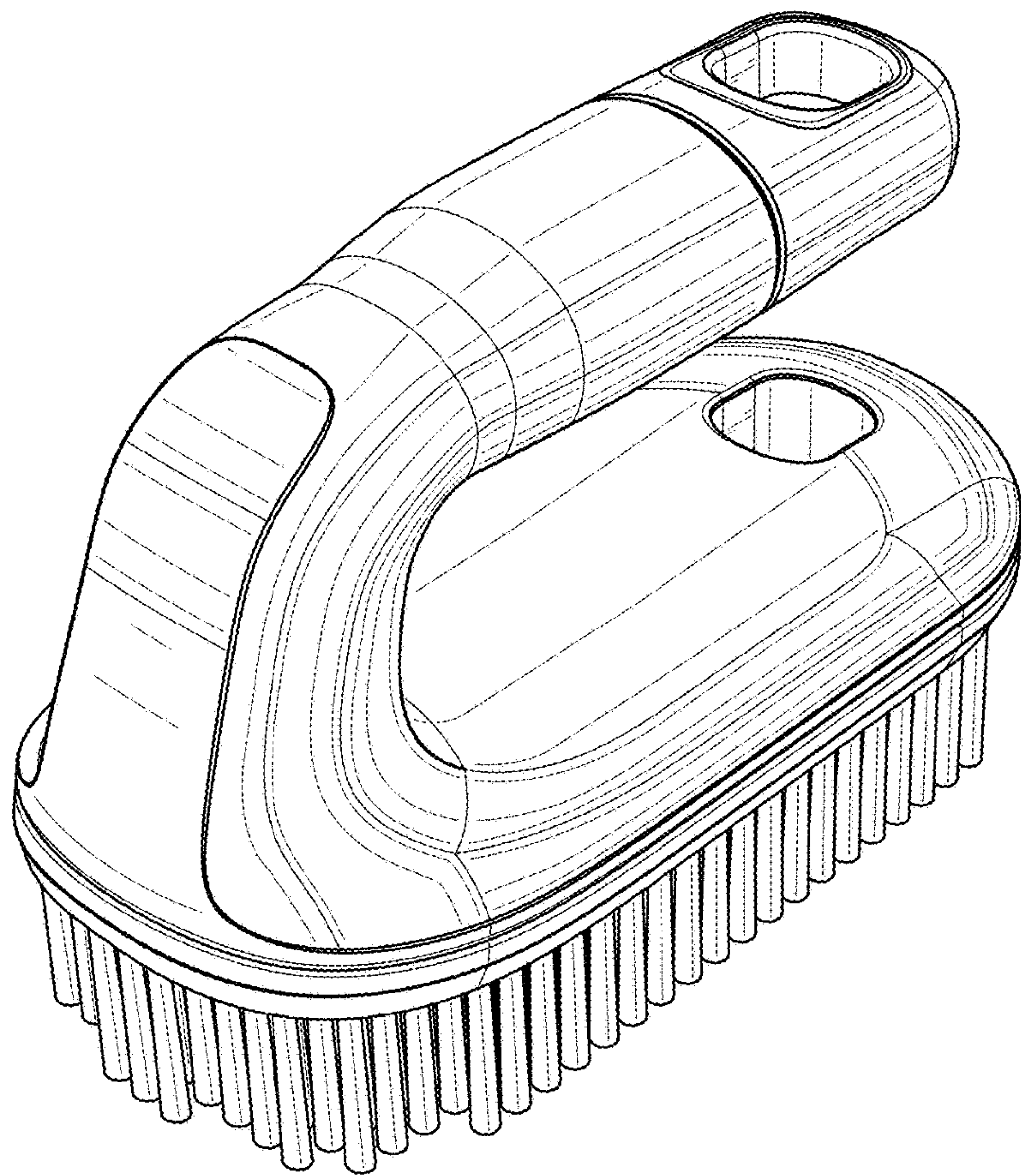


FIG. 1

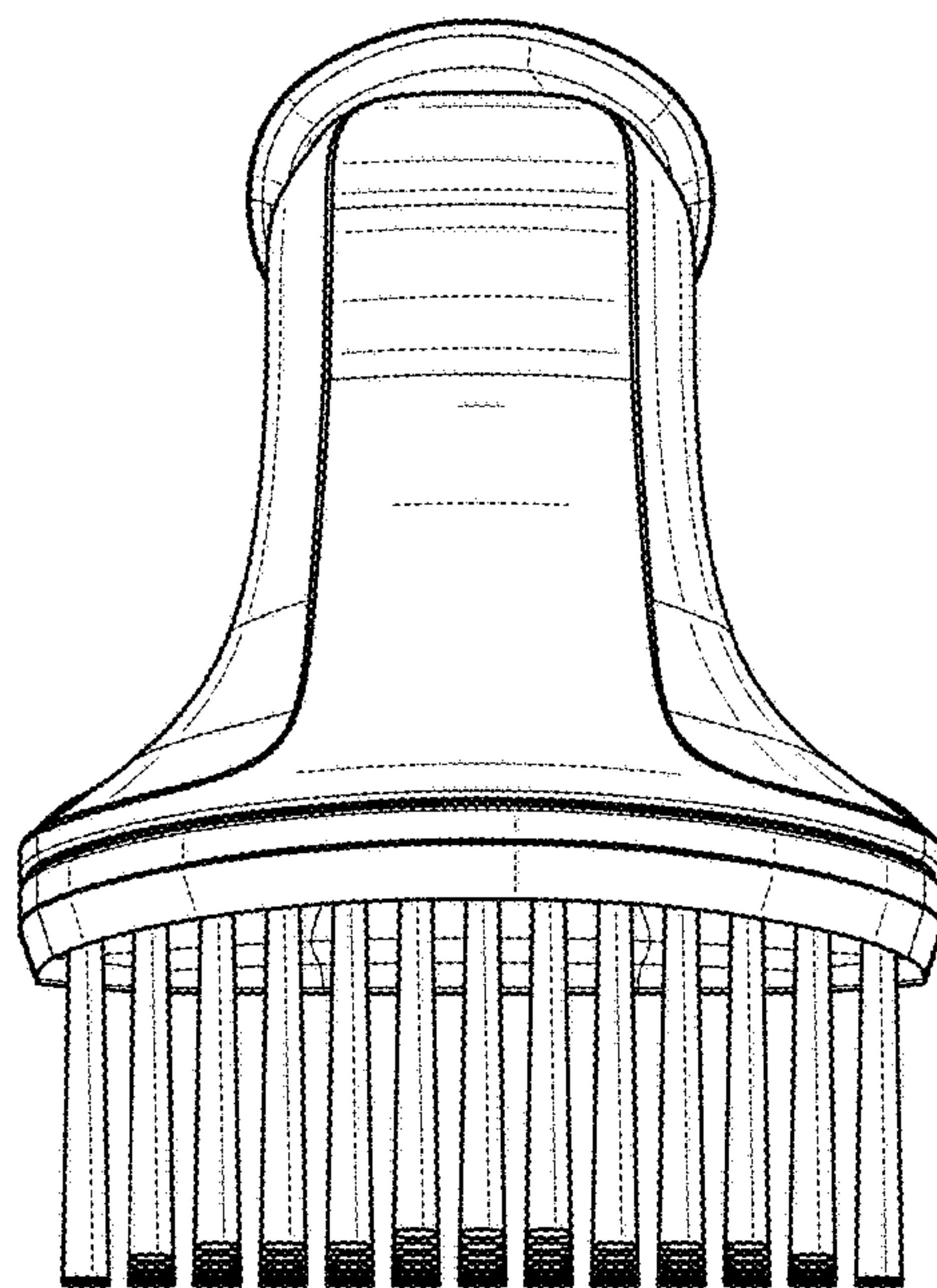


FIG. 2

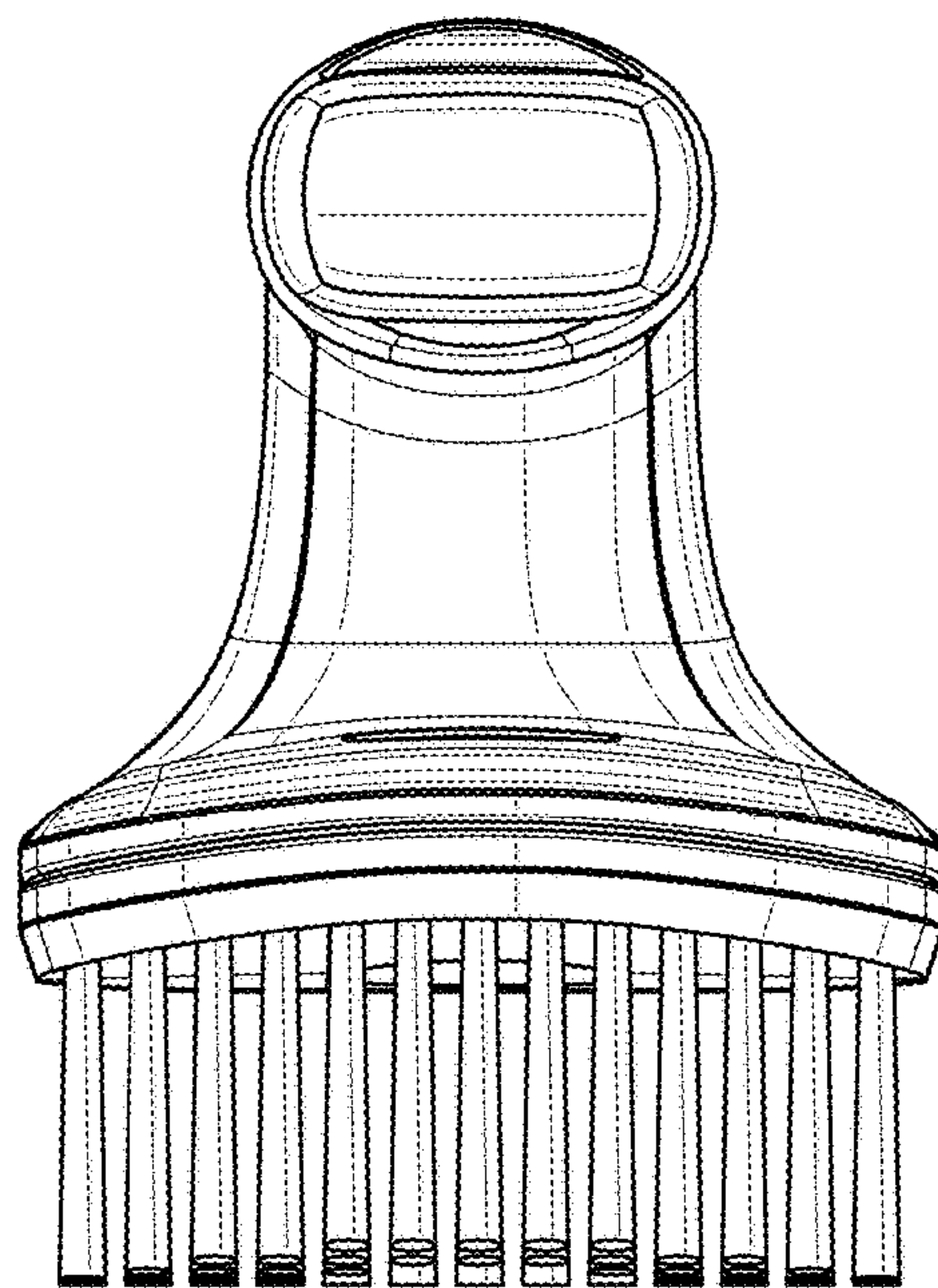


FIG. 3

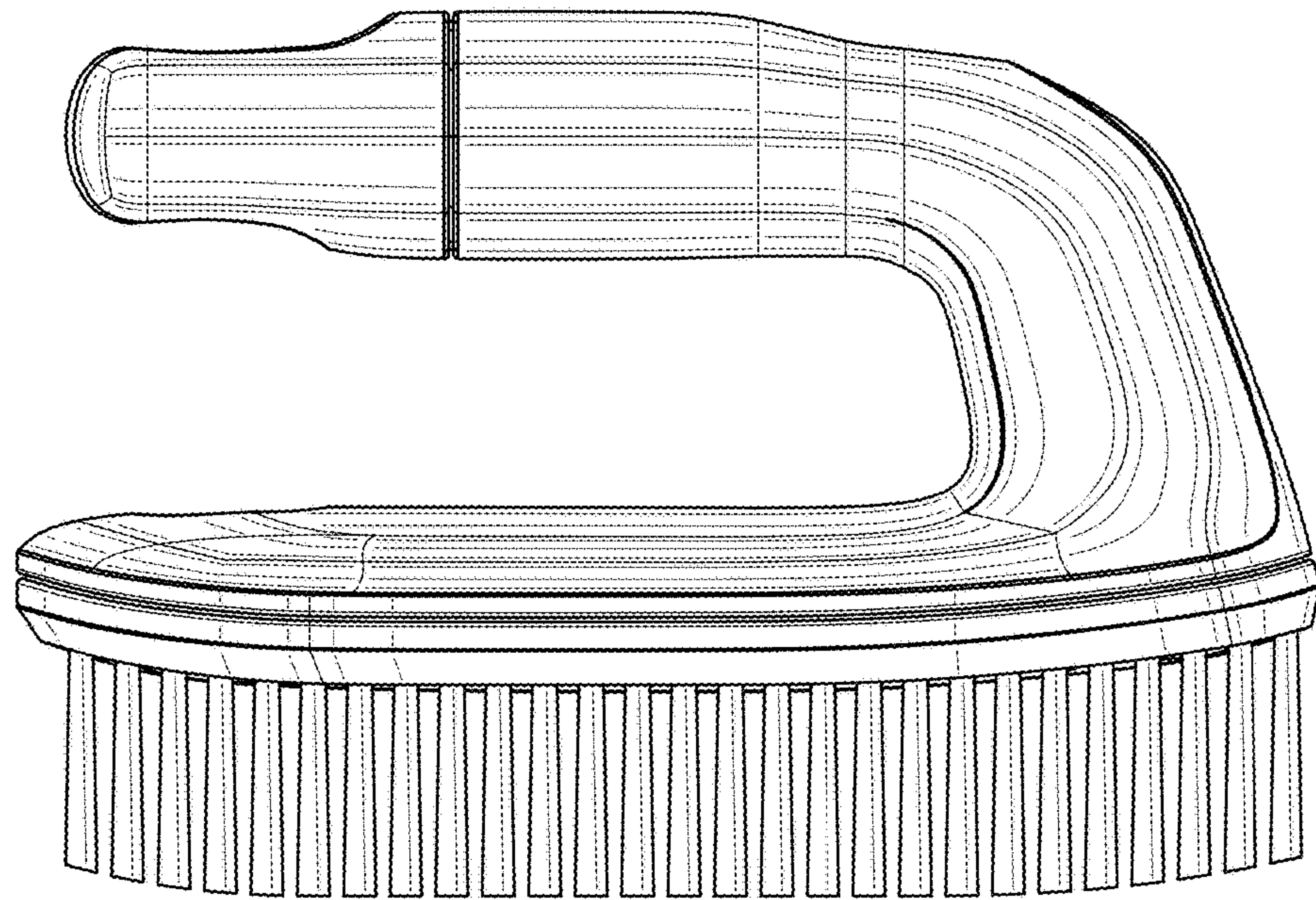


FIG. 4

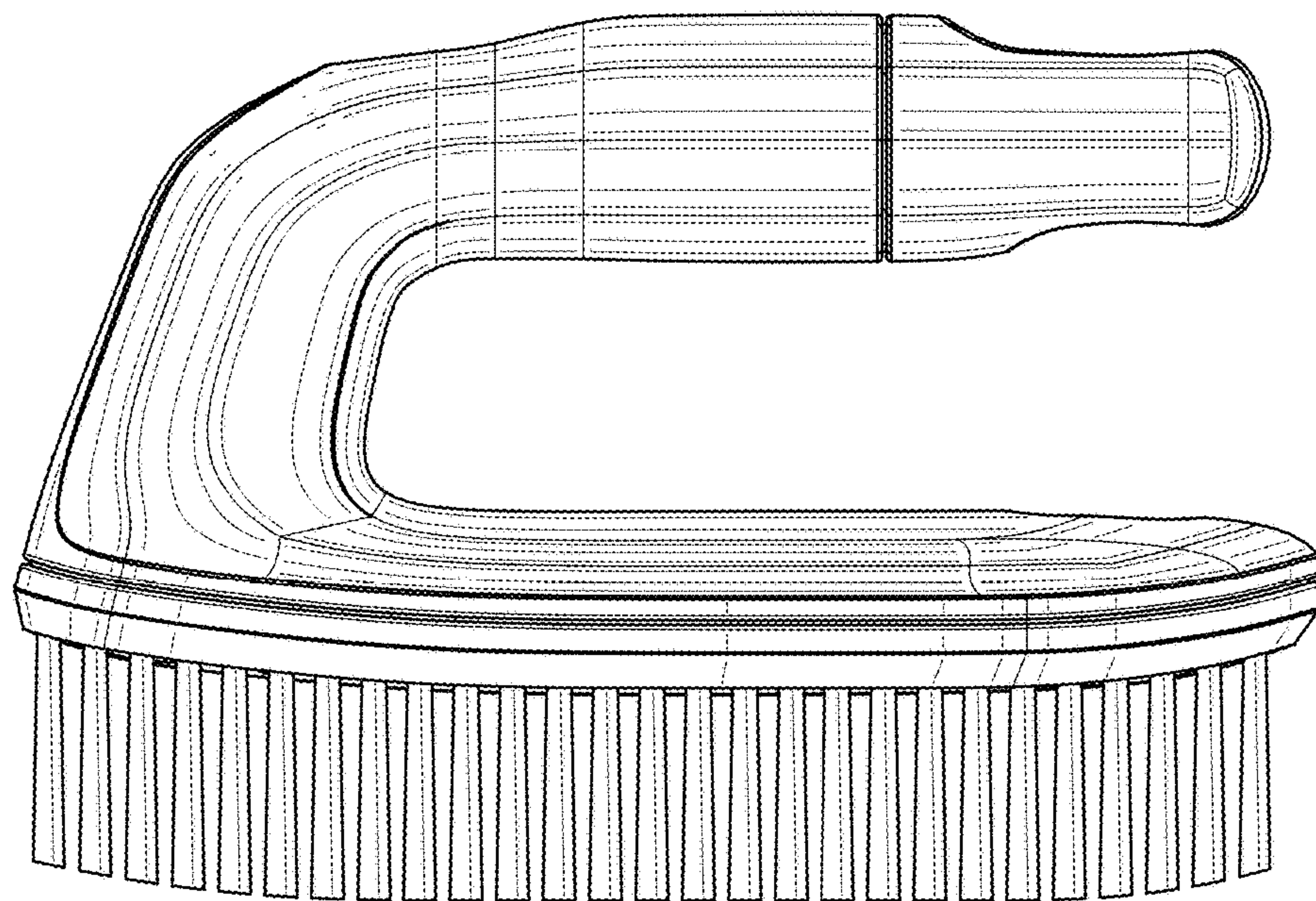


FIG. 5

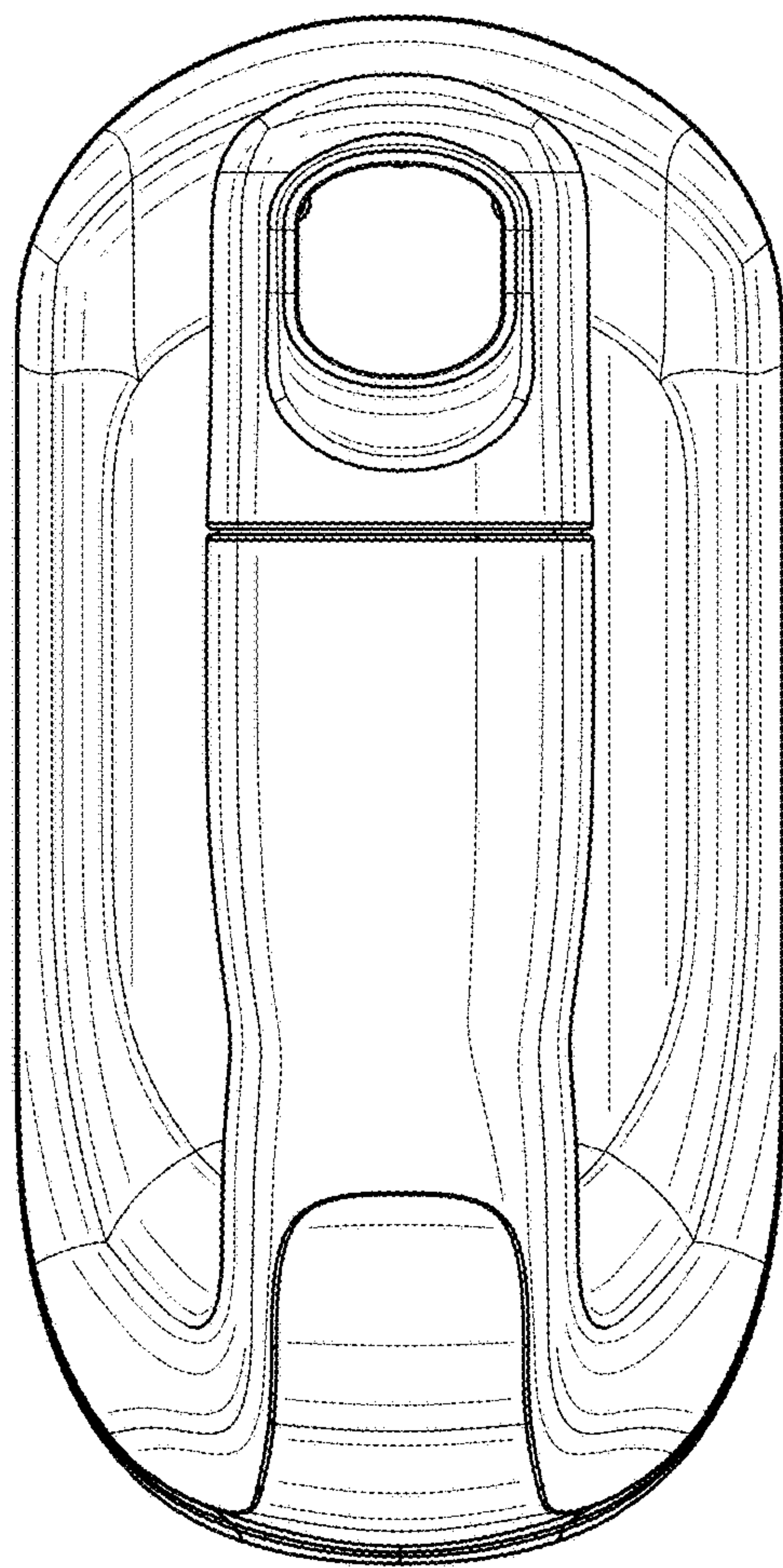


FIG. 6

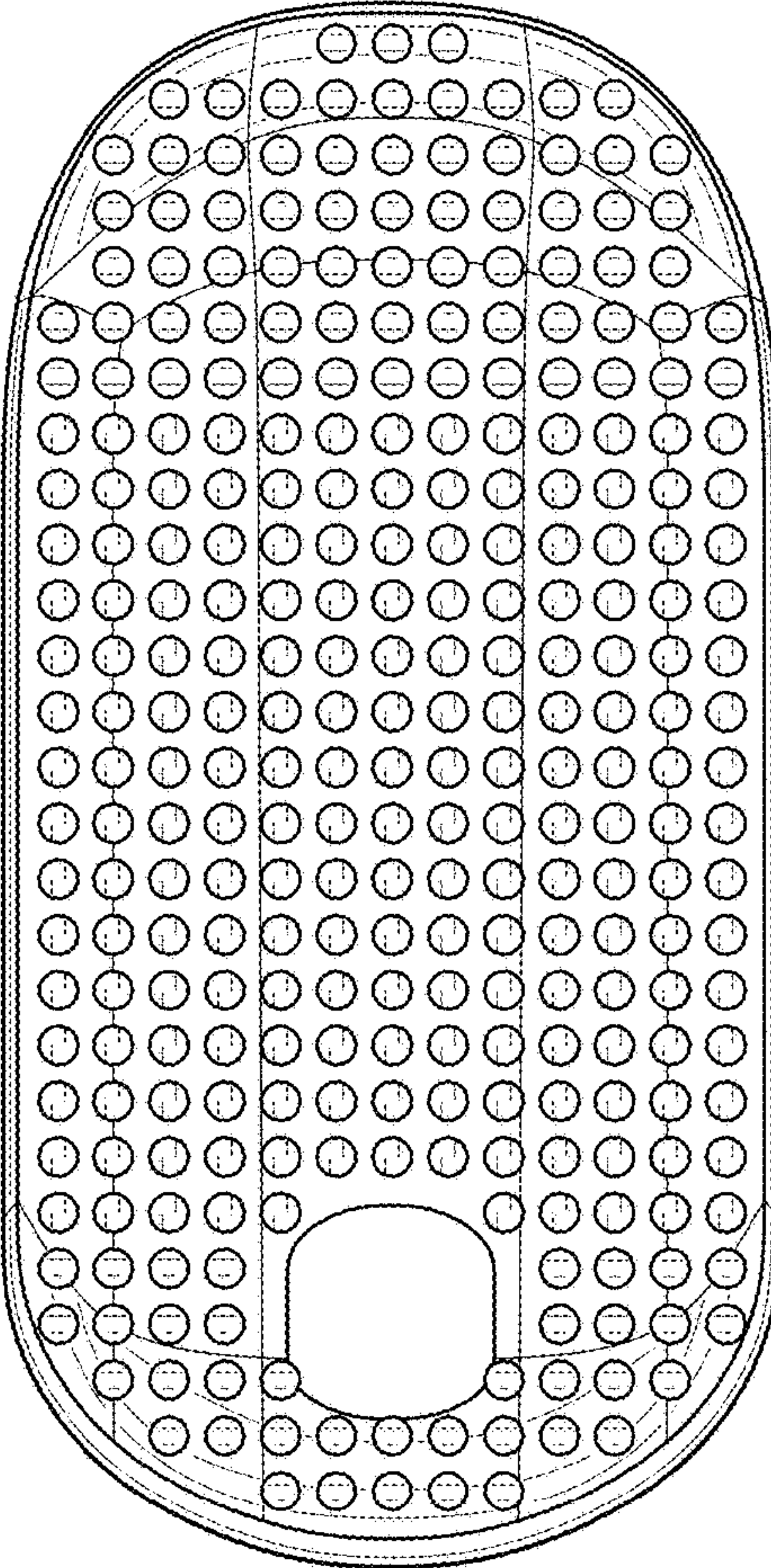


FIG. 7