



US00D853123S

(12) **United States Design Patent** (10) **Patent No.:** **US D853,123 S**  
**Falk** (45) **Date of Patent:** **\*\* Jul. 9, 2019**

(54) **COVER FOR PURSE/HANDBAG**  
(71) Applicant: **Sondra Falk**, Sterling, VA (US)  
(72) Inventor: **Sondra Falk**, Sterling, VA (US)  
(\*\*) Term: **15 Years**

*Primary Examiner* — Holly H Baynham  
(74) *Attorney, Agent, or Firm* — Weiss & Moy P.C.;  
Jeffrey D. Moy

(21) Appl. No.: **29/641,648**  
(22) Filed: **Mar. 23, 2018**  
(51) **LOC (11) Cl.** ..... **03-01**  
(52) **U.S. Cl.**  
USPC ..... **D3/318**  
(58) **Field of Classification Search**  
USPC ..... D3/318  
CPC ..... A45C 11/00; A45C 13/00; A45C 13/002  
See application file for complete search history.

(57) **CLAIM**  
The ornamental design for a cover for a purse/handbag, as shown and described.

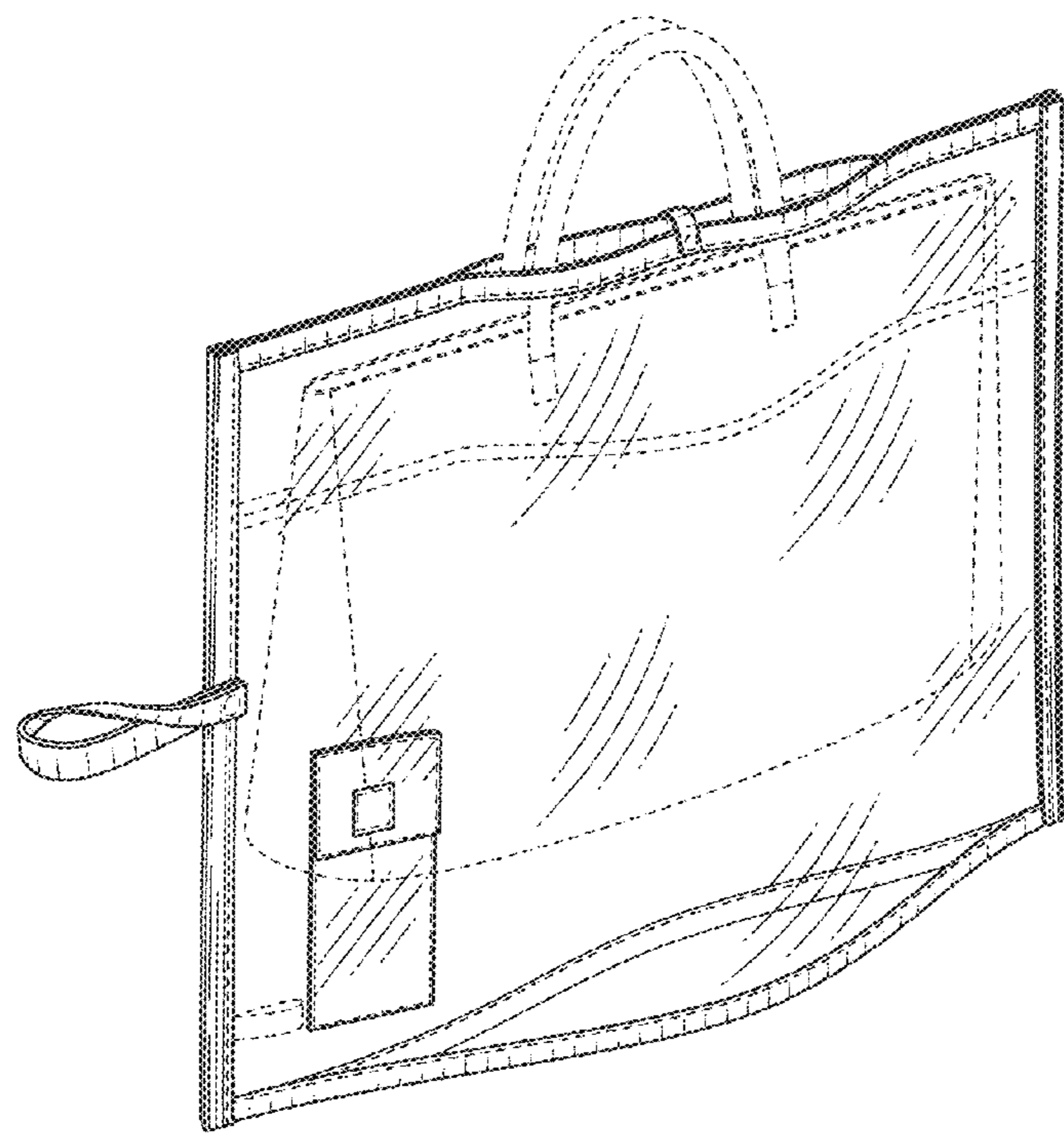
(56) **References Cited**  
U.S. PATENT DOCUMENTS  
3,314,464 A \* 4/1967 Veilleux ..... B42D 3/045  
150/154  
D289,343 S \* 4/1987 Finger ..... D3/245  
5,172,795 A \* 12/1992 Riceman ..... A45C 13/002  
150/105  
D338,559 S \* 8/1993 Mainwaring ..... D3/318  
D606,756 S \* 12/2009 Johnson ..... D3/318  
D810,442 S \* 2/2018 Blaser ..... D3/318

**DESCRIPTION**

FIG. 1 is a perspective view of the cover for a purse/handbag inserted therein;  
FIG. 2 is a perspective view of the cover for a purse/handbag removed;  
FIG. 3 is a front view of the cover for a purse/handbag shown in FIG. 2;  
FIG. 4 is a rear view of the cover for a purse/handbag shown in FIG. 2;  
FIG. 5 is a top view of the cover for a purse/handbag shown in FIG. 2;  
FIG. 6 is a bottom view of the cover for a purse/handbag shown in FIG. 2;  
FIG. 7 is a right-side view of the cover for a purse/handbag shown in FIG. 2;  
FIG. 8 is a left-side view of the cover for a purse/handbag shown in FIG. 2; and,  
FIG. 9 is a prospective view of the cover for a purse/handbag in a rolled-up state.  
The broken lines in the drawings depict portions of the cover for a purse/handbag that form no part of the claimed design.

\* cited by examiner

**1 Claim, 3 Drawing Sheets**



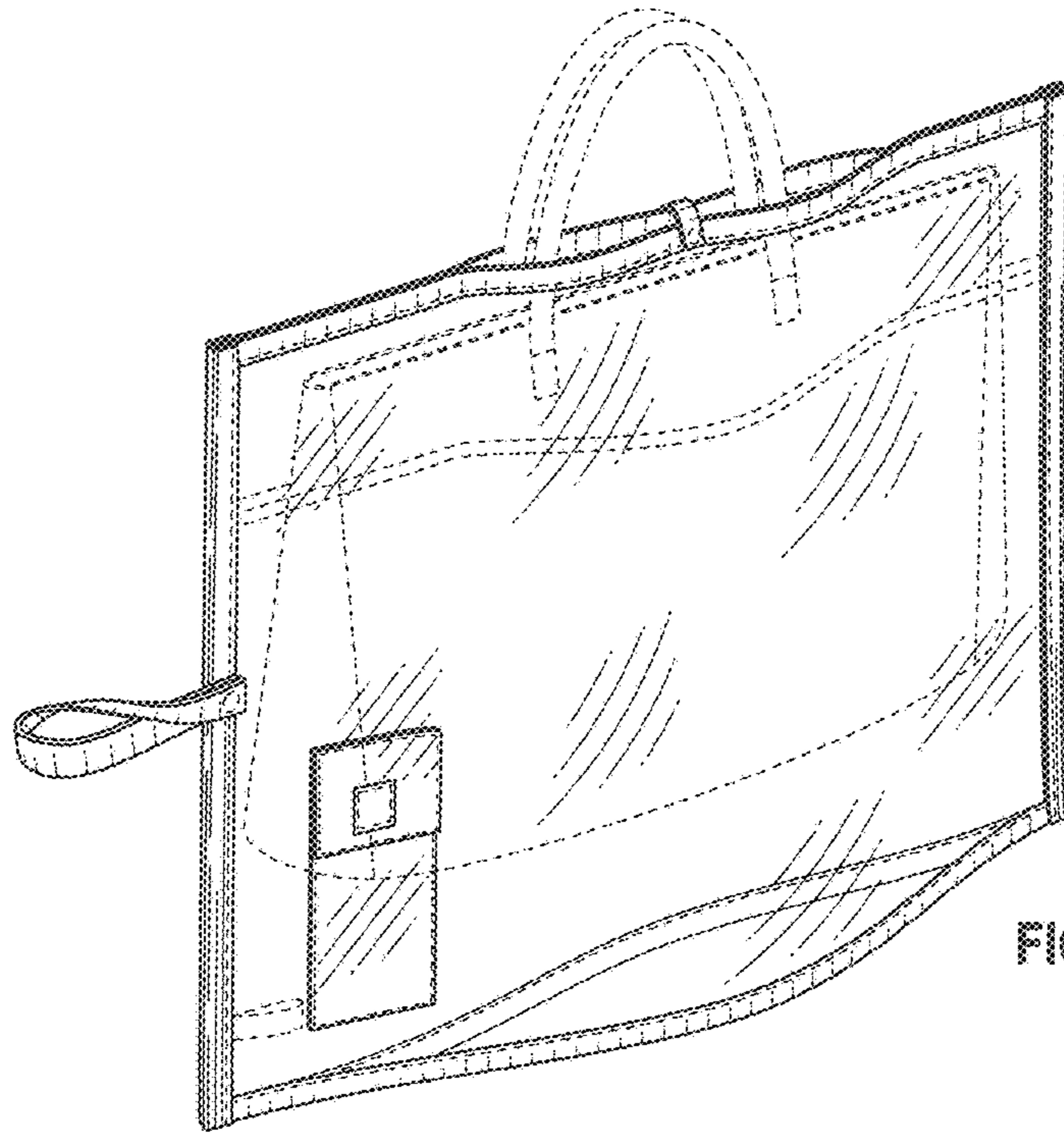


FIG. 1

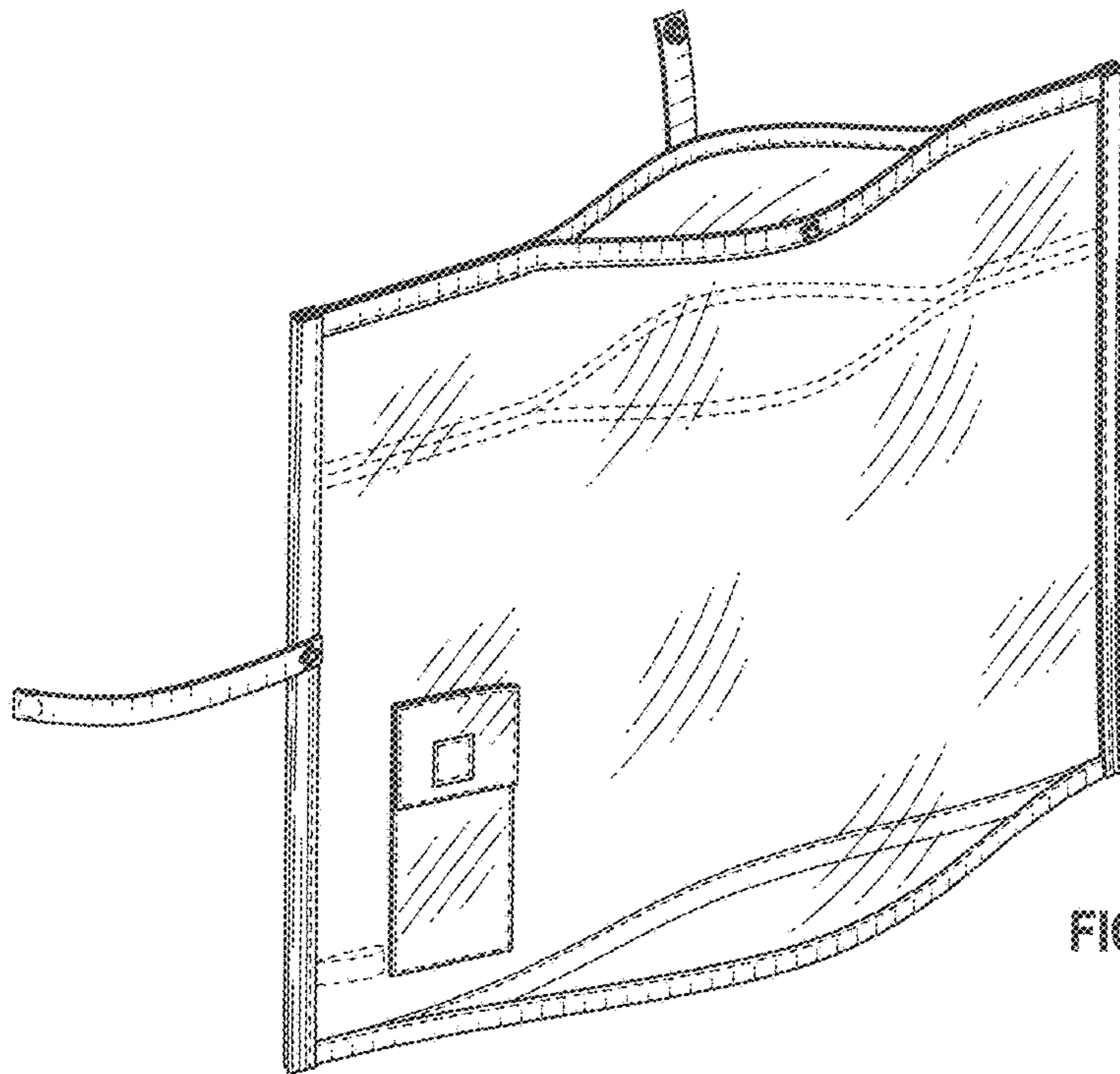


FIG. 2

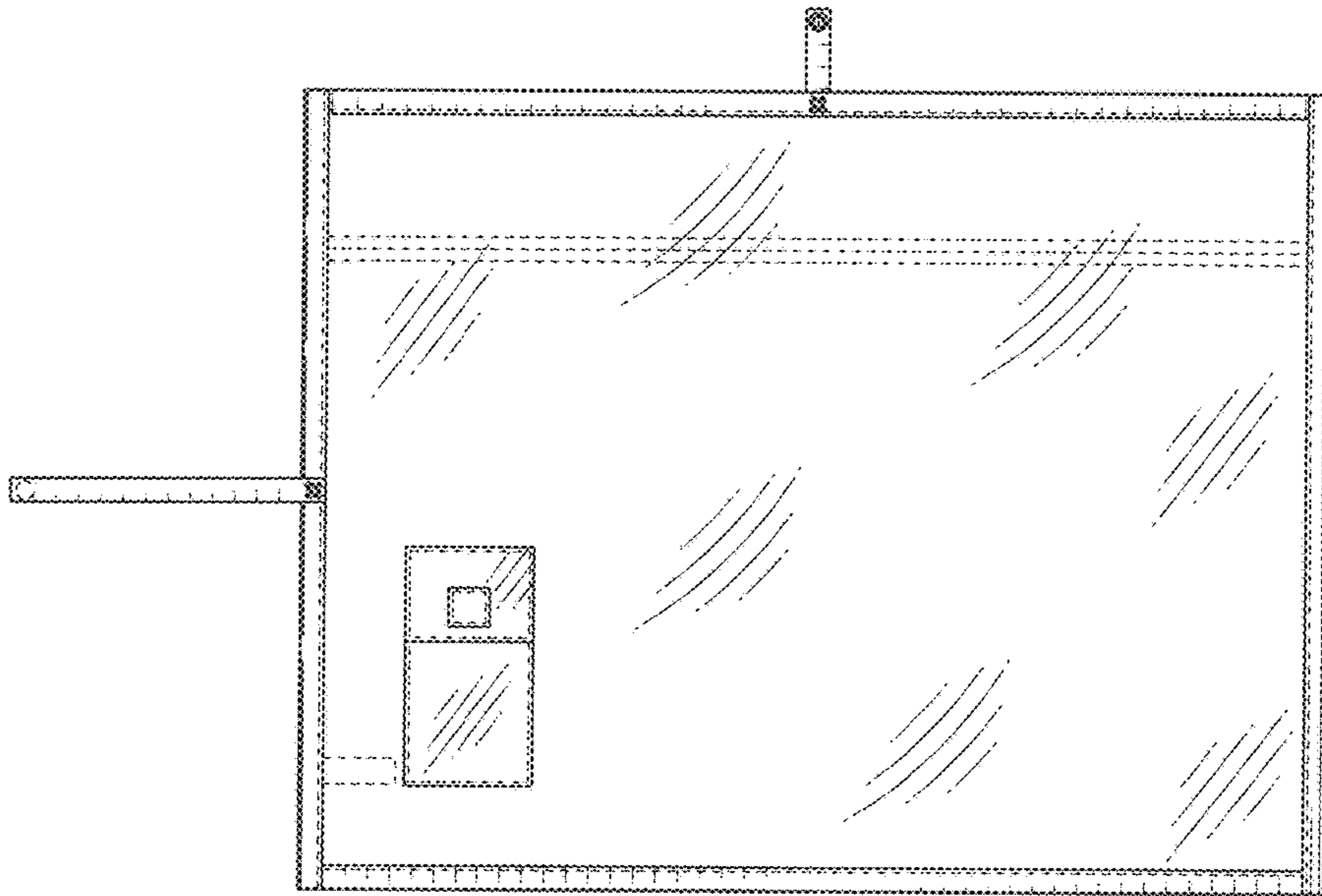


FIG. 3

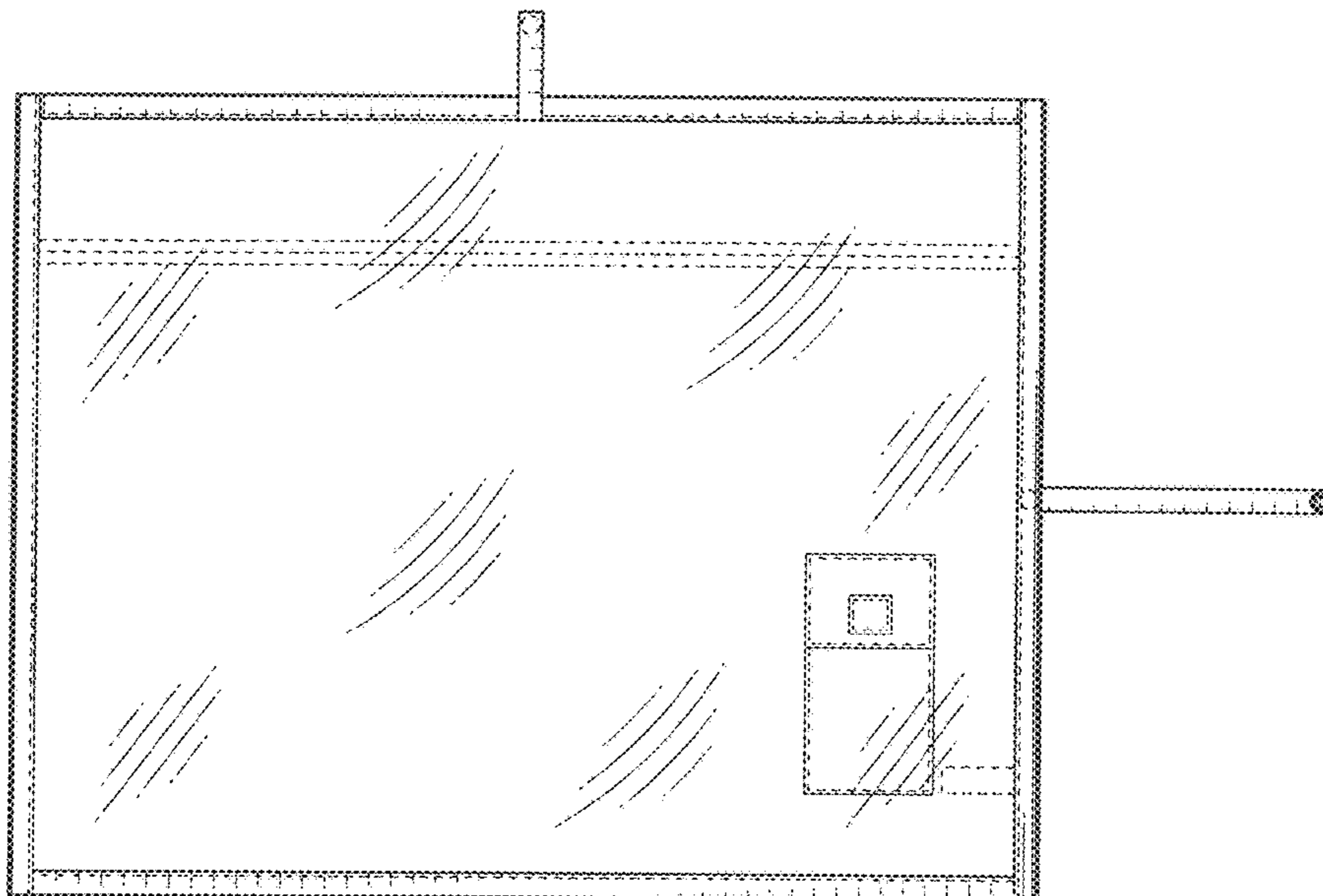


FIG. 4



FIG. 5



FIG. 6

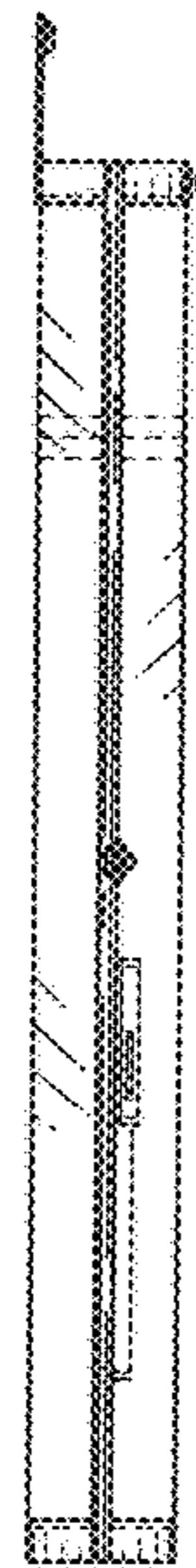


FIG. 7

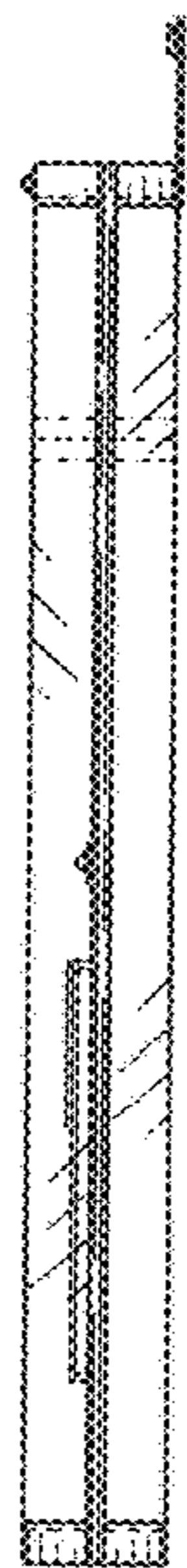


FIG. 8

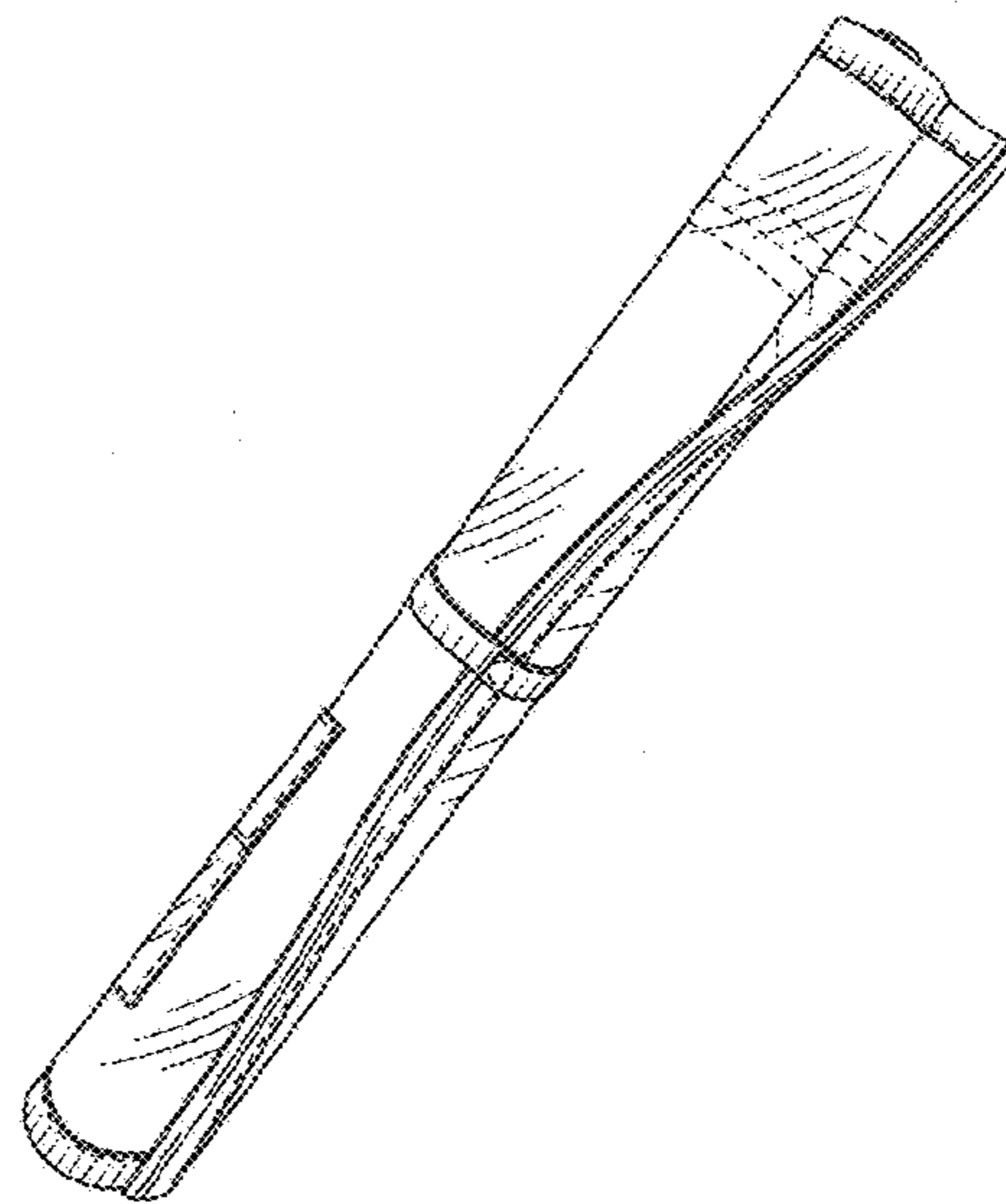


FIG. 9