



US00D853121S

(12) **United States Design Patent**
Dehmoubed et al.

(10) **Patent No.:** **US D853,121 S**
(45) **Date of Patent:** **** Jul. 9, 2019**

- (54) **TROLLEY BAG**
- (71) Applicant: **GOLDEN EYE MEDIA USA, INC.,**
Carlsbad, CA (US)
- (72) Inventors: **Farzan Dehmoubed,** Carlsbad, CA
(US); **Jennifer Duvall,** Carlsbad, CA
(US)
- (73) Assignee: **GOLDEN EYE MEDIA USA, INC.,**
Carlsbad, CA (US)

D697,310 S *	1/2014	Snider	D3/306
D711,096 S *	8/2014	Hanna	D3/232
8,905,411 B1 *	12/2014	Blanton	B62B 3/106 280/33.991
9,016,494 B1 *	4/2015	Hernandez	B65D 25/2805 190/107
D732,294 S *	6/2015	Hu	D3/319
D736,521 S *	8/2015	Tarter	D3/310
9,144,278 B2 *	9/2015	Morrow	A45C 3/04
D748,884 S *	2/2016	Evans	D34/27
D759,370 S *	6/2016	Godzich	D3/216
D760,462 S *	6/2016	Kellogg	D3/304

(Continued)

(**) Term: **15 Years**

- (21) Appl. No.: **29/605,817**
- (22) Filed: **May 30, 2017**
- (51) **LOC (11) Cl.** **03-01**
- (52) **U.S. Cl.**
USPC **D3/309**
- (58) **Field of Classification Search**
USPC D3/20, 26, 304, 305, 307-311, 315,
D3/318-319, 321, 322
CPC .. A45C 3/00; A45C 3/001; A45C 3/04; A45C
7/00; A45C 7/0018; A45C 7/0059; B65D
37/00; B62B 5/00
See application file for complete search history.

(56) **References Cited**

U.S. PATENT DOCUMENTS

4,560,096 A *	12/1985	Lucas	B62B 3/1464 220/9.4
5,531,366 A *	7/1996	Strom	A45C 1/04 224/153
D431,361 S *	10/2000	Kellogg	D3/304
D489,179 S *	5/2004	Ho	D3/303
D508,320 S *	8/2005	Holland	D3/303
D524,542 S *	7/2006	Hardy	D3/309
D550,459 S *	9/2007	Eskandry	D3/305
D603,606 S *	11/2009	Wang	D3/232
D622,960 S *	9/2010	Sabounjian	D3/305
D645,625 S *	9/2011	Pelosi	D32/37

OTHER PUBLICATIONS

Amazon.com/Rausable-organizer-modern-day-living, Reusable shopping cart bags and grocery organizer design for trolley carts by modern day living. Oct. 2018 (Year: 2018).*

Primary Examiner — Cynthia Ramirez

(74) *Attorney, Agent, or Firm* — Maschoff Brennan

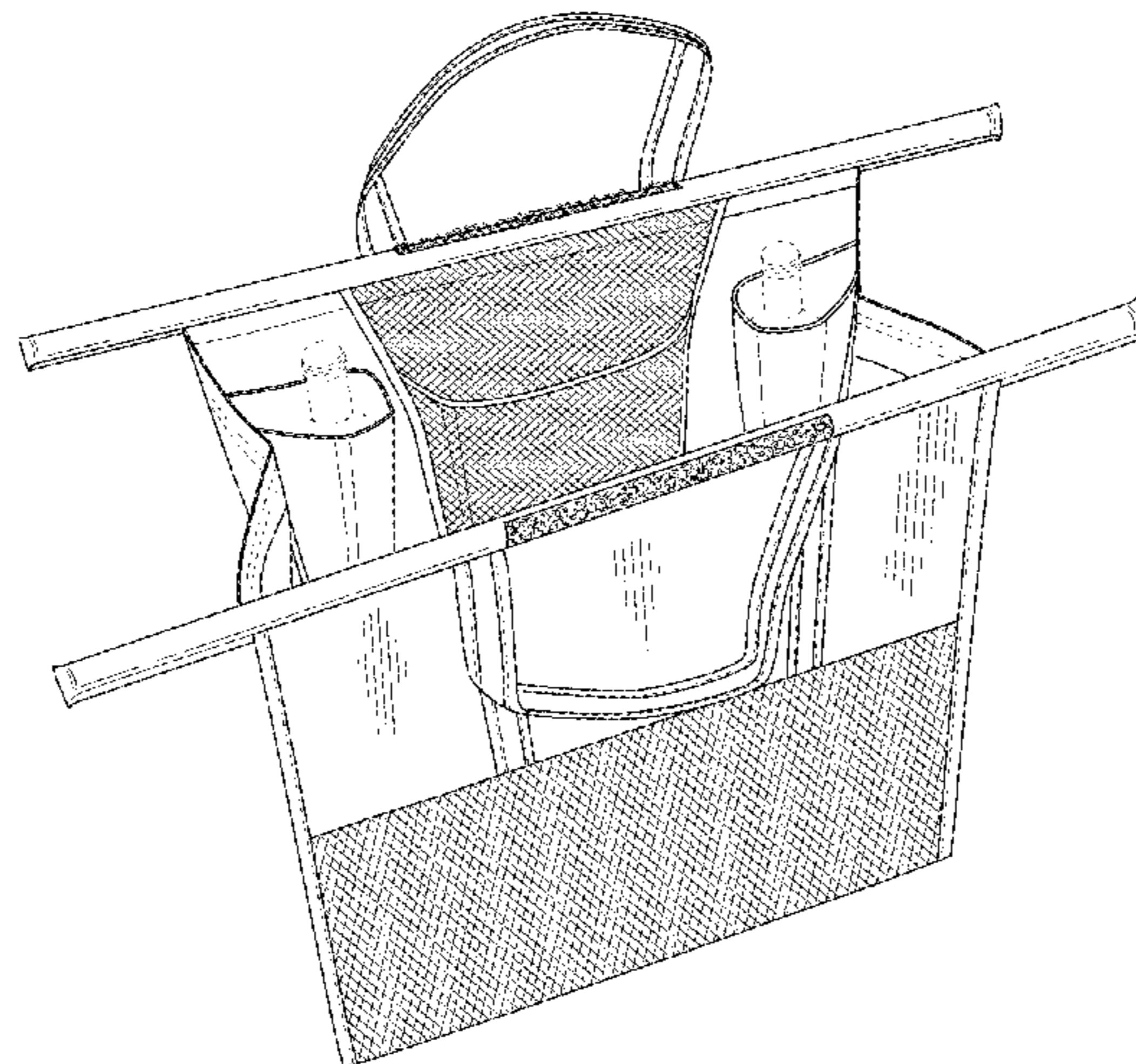
(57) **CLAIM**

The ornamental design for a trolley bag, as shown and described.

DESCRIPTION

FIG. 1 shows a perspective view of a trolley bag showing our new design;
 FIG. 2 shows a left side elevational view thereof;
 FIG. 3 shows a right side elevational view thereof;
 FIG. 4 shows a rear elevational view thereof;
 FIG. 5 shows a front elevational view thereof;
 FIG. 6 shows a top plan view thereof; and,
 FIG. 7 shows a bottom plan view thereof.
 The broken lines in FIG. 1 showing bottles represent unclaimed environmental features and form no part of the claimed design. The remaining broken lines in the figures are to show portions of the trolley bag and form no part of the claimed design.

1 Claim, 5 Drawing Sheets



(56)

References Cited

U.S. PATENT DOCUMENTS

D763,575	S	*	8/2016	Tiscareno-Rippe	D3/290
D765,399	S	*	9/2016	Tarter	D3/310
D767,278	S	*	9/2016	Szucs	D3/305
D775,057	S	*	12/2016	Meckler	D12/407
D776,929	S	*	1/2017	Noh	D3/315
D779,828	S	*	2/2017	Cronkshaw	D3/315
D801,043	S	*	10/2017	Lucas	D3/246
D809,798	S	*	2/2018	Hernandez	D3/309

* cited by examiner

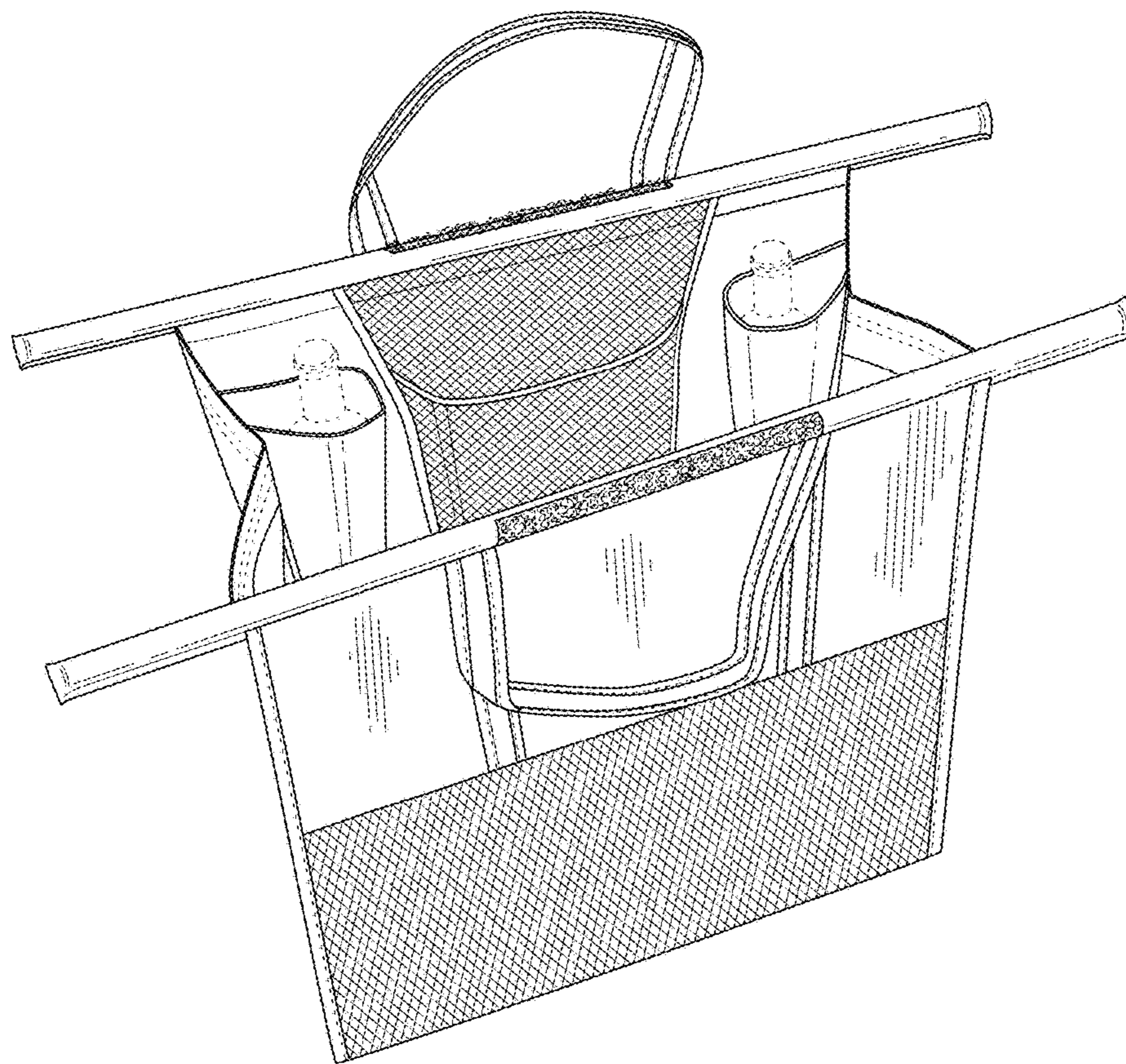


FIG. 1

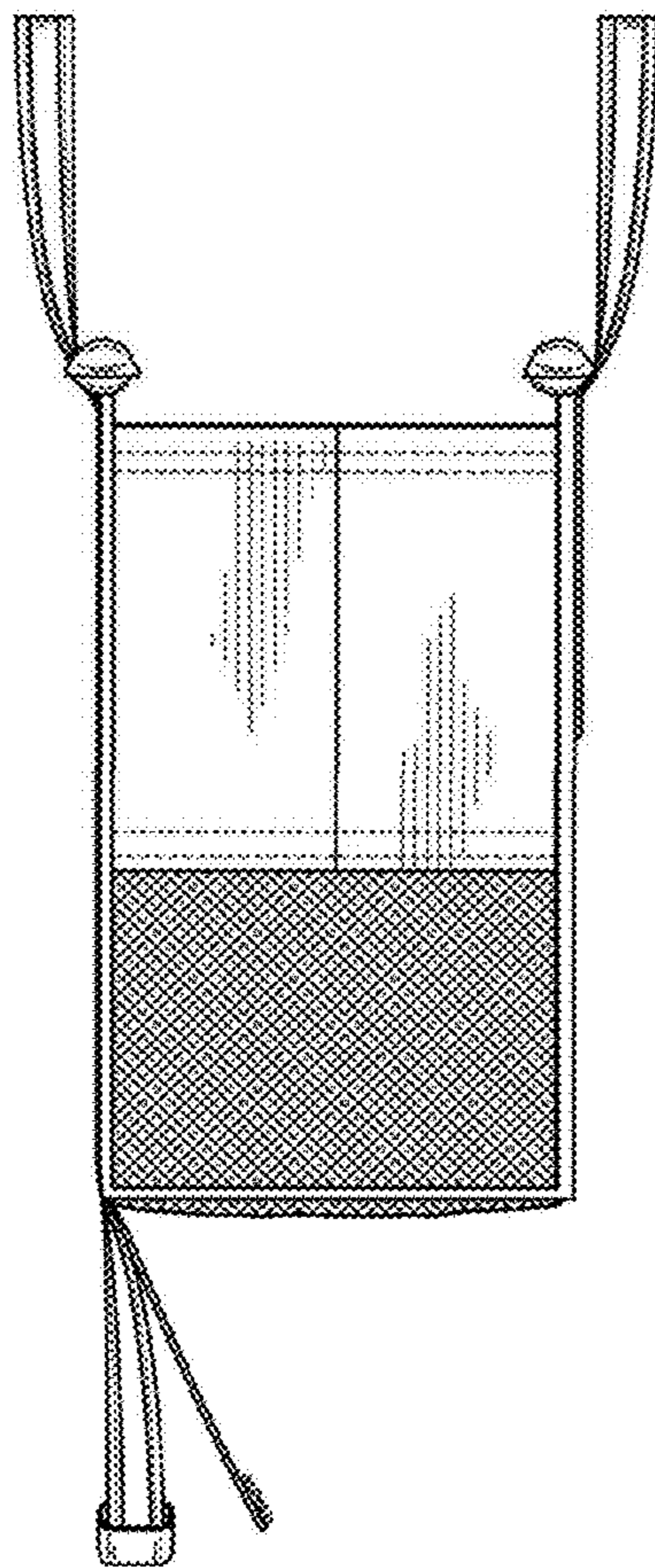


FIG. 2

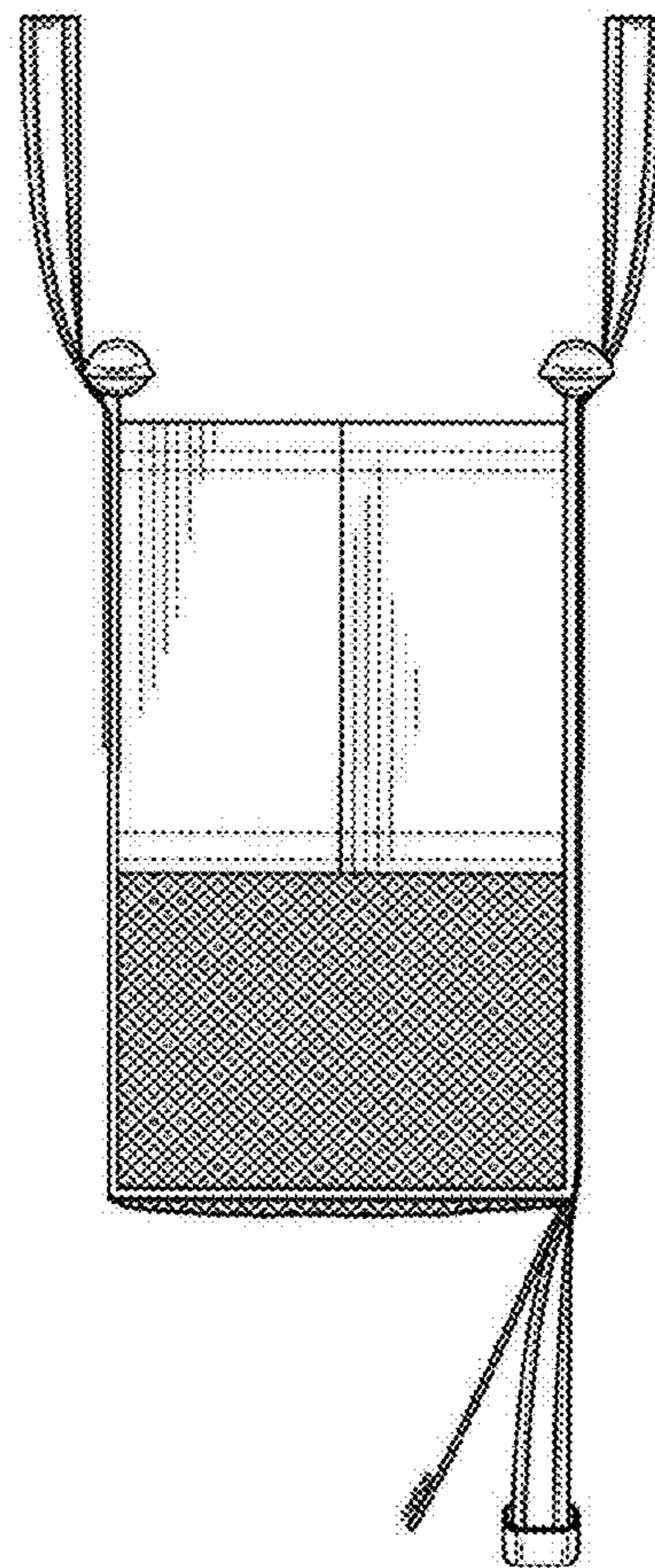


FIG. 3

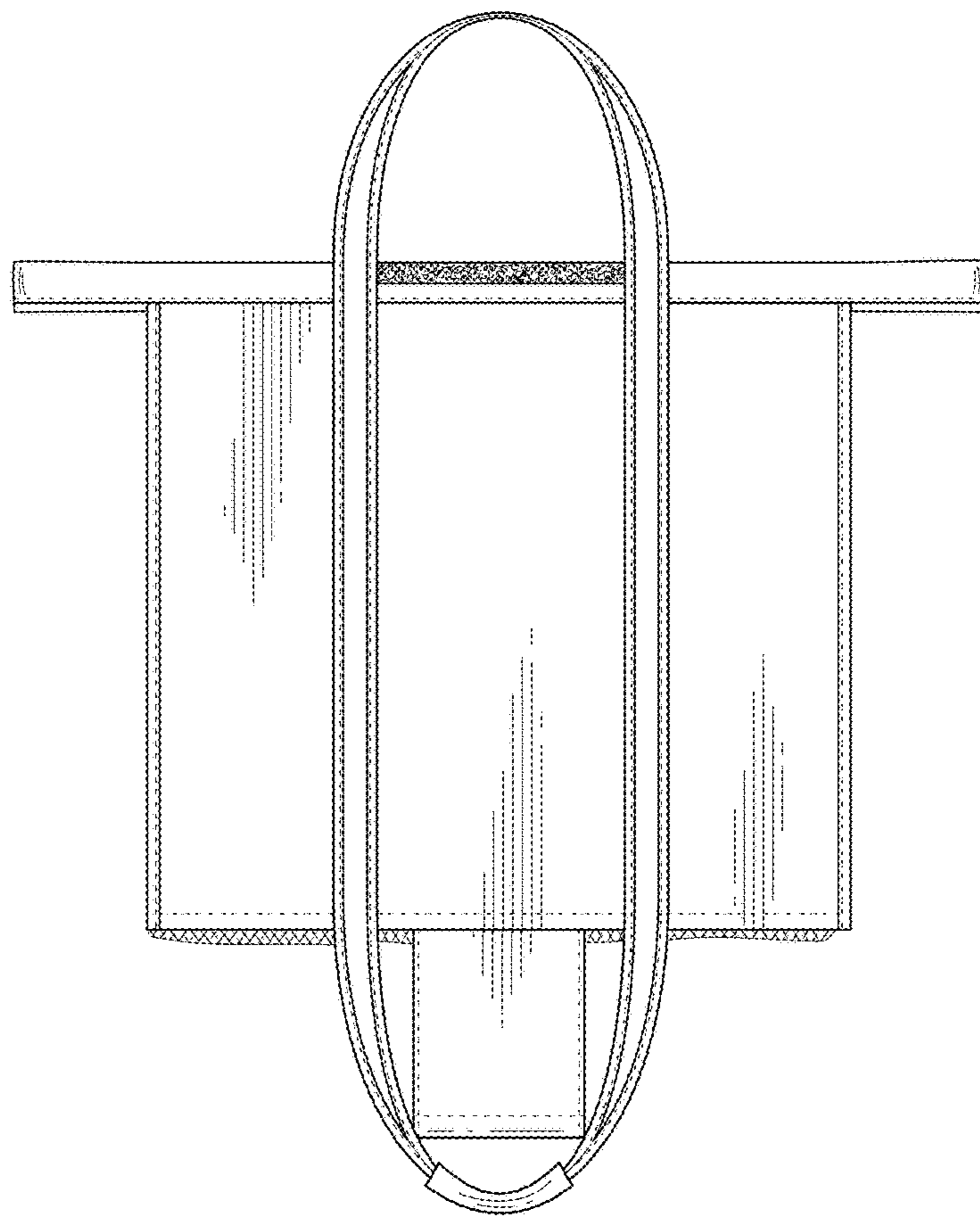


FIG. 4

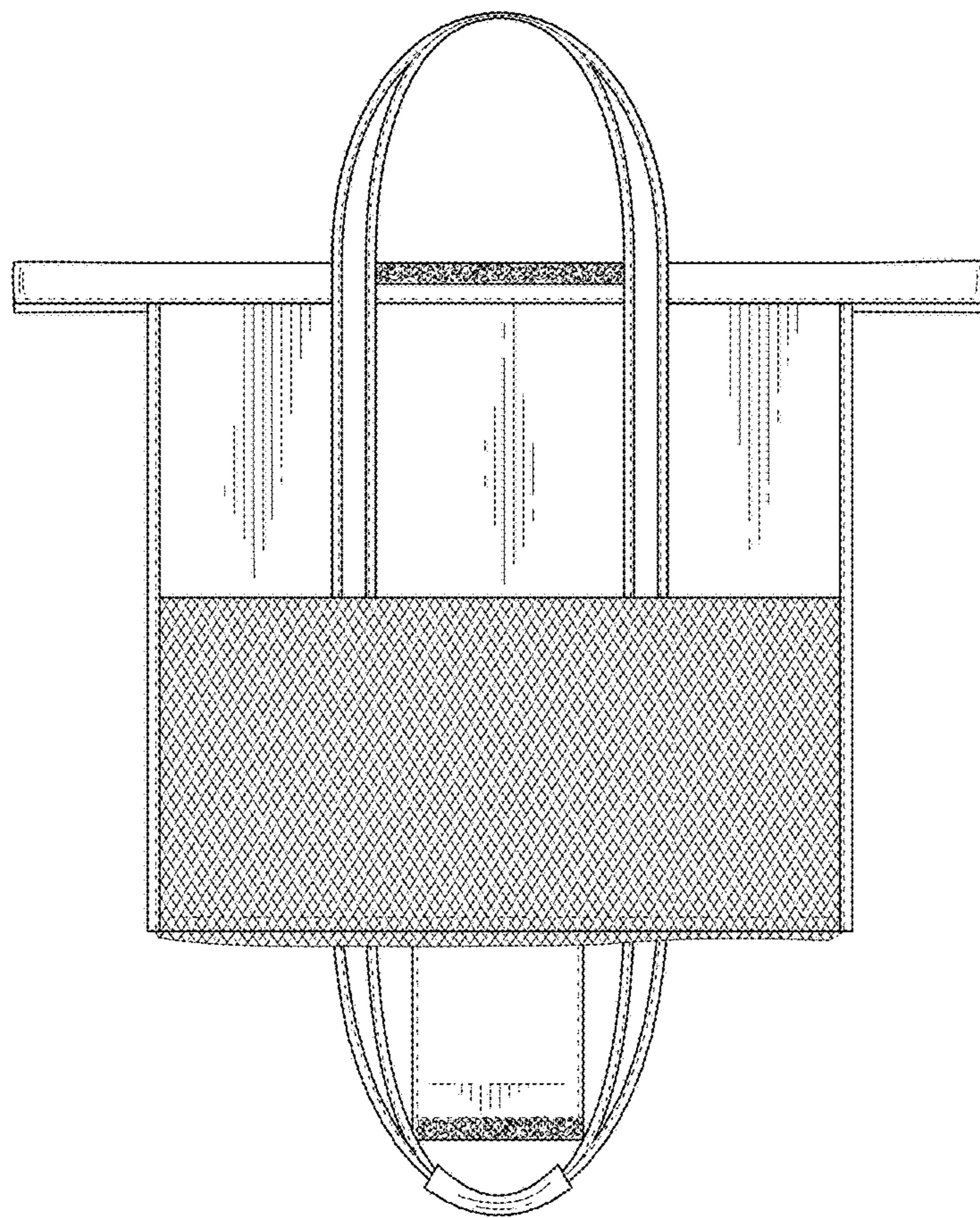


FIG. 5

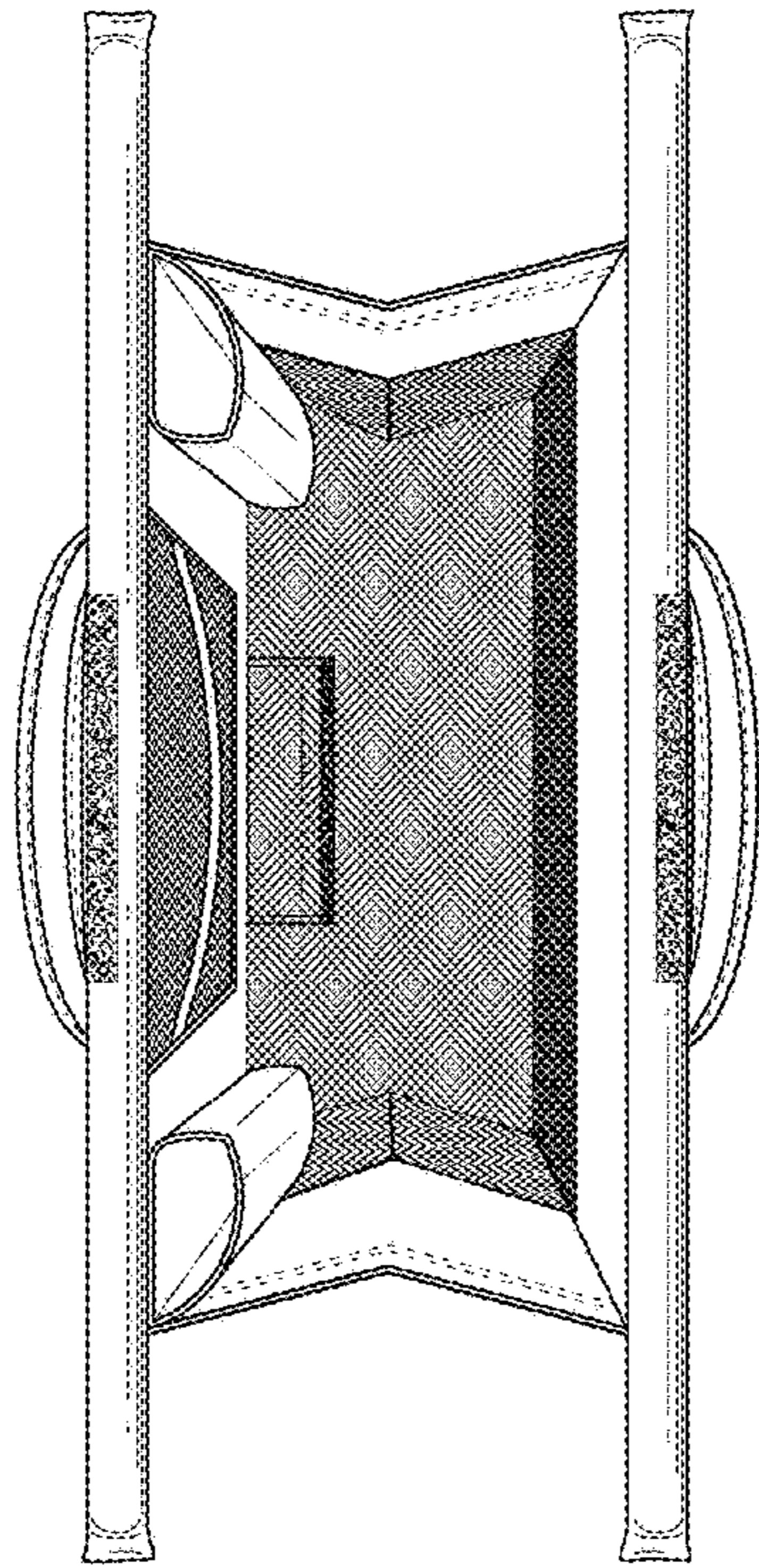


FIG. 6

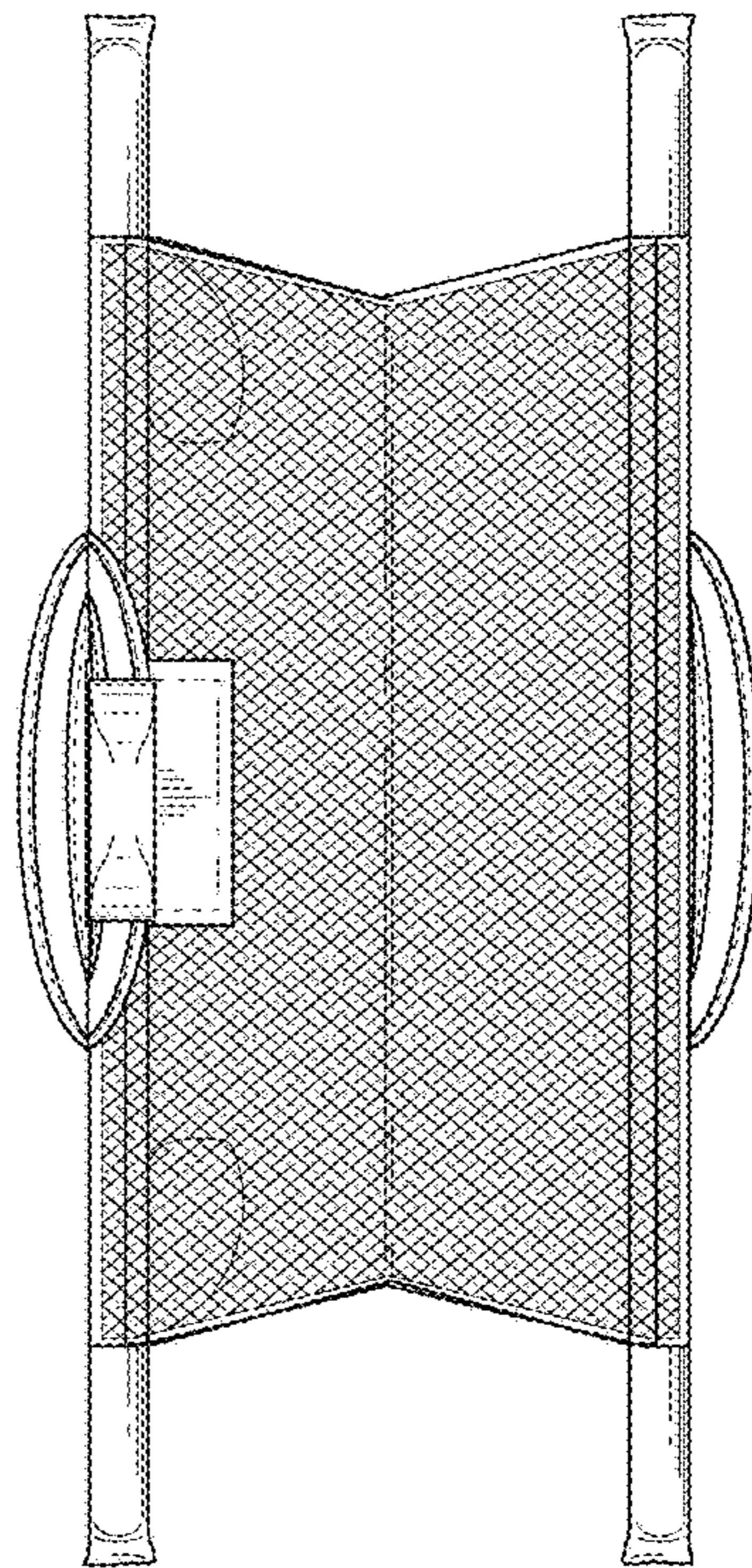


FIG. 7



US00D853121C1

(12) **EX PARTE REEXAMINATION CERTIFICATE** (11894th)
United States Patent
Dehmoubed et al.

(10) **Number:** **US D853,121 C1**
(45) **Certificate Issued:** **Aug. 16, 2021**

(54) **TROLLEY BAG**

(71) Applicant: **GOLDEN EYE MEDIA USA, INC.**,
Carlsbad, CA (US)

(72) Inventors: **Farzan Dehmoubed**, Carlsbad, CA
(US); **Jennifer Duvall**, Carlsbad, CA
(US)

(73) Assignee: **GOLDEN EYE MEDIA USA, INC.**,
Carlsbad, CA (US)

(51) **LOC (13) Cl.** 03-01

(52) **U.S. Cl.**
USPC **D3/309**

(58) **Field of Classification Search**
USPC D3/20, 26, 304, 305, 307-311, 315,
D3/318-319, 321, 322
CPC .. A45C 3/00; A45C 3/001; A45C 3/04; A45C
7/00; A45C 7/0018; A45C 7/0059; B62B
5/00; B65D 29/00; B65D 37/00
See application file for complete search history.

Reexamination Request:

No. 90/014,512, May 19, 2020

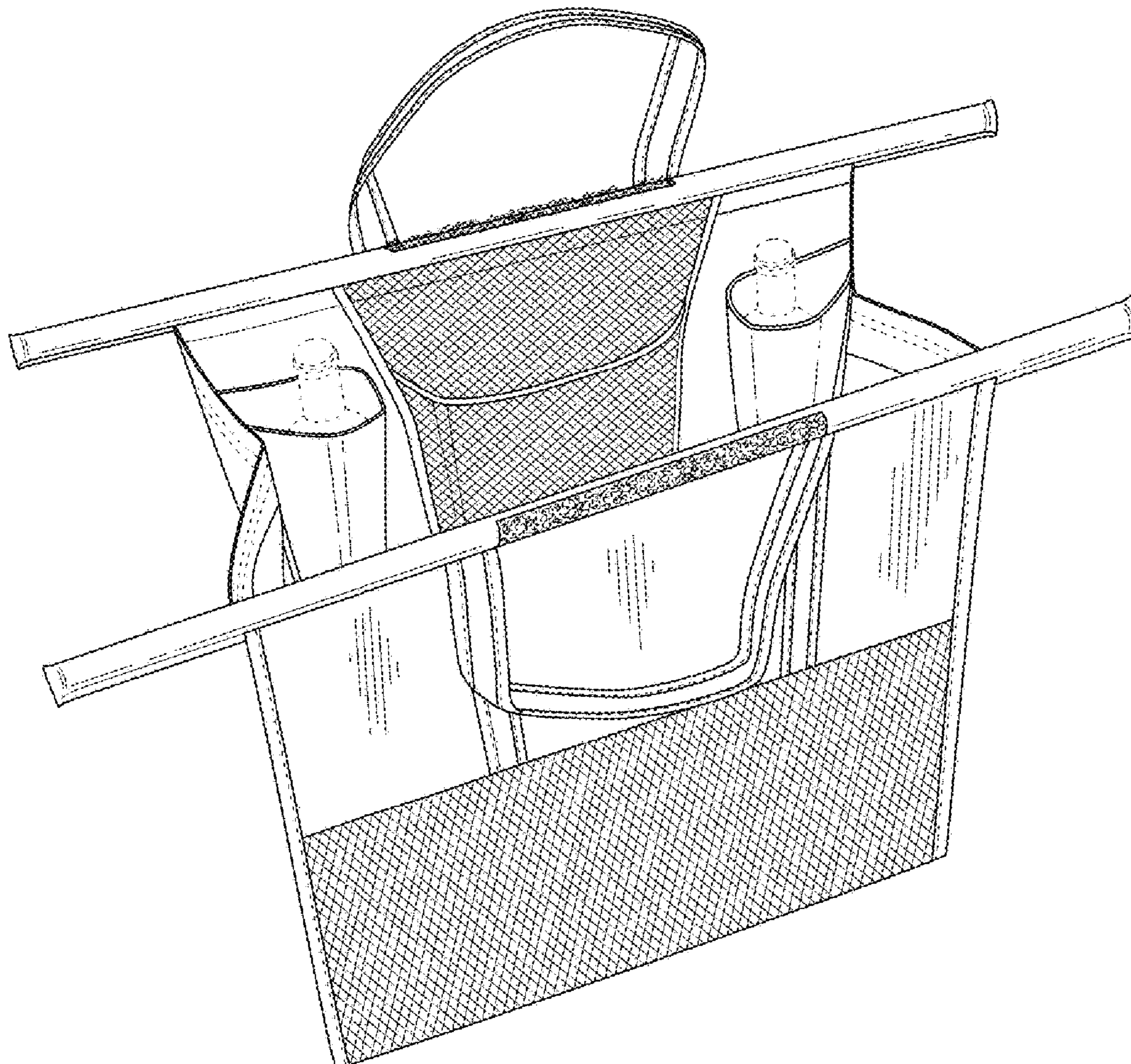
Reexamination Certificate for:

Patent No.: **Des. 853,121**
Issued: **Jul. 9, 2019**
Appl. No.: **29/605,817**
Filed: **May 30, 2017**

(56) **References Cited**

To view the complete listing of prior art documents cited during the proceeding for Reexamination Control Number 90/014,512, please refer to the USPTO's public Patent Application Information Retrieval (PAIR) system under the Display References tab.

Primary Examiner — Darlington Ly



1
EX PARTE
REEXAMINATION CERTIFICATE

NO AMENDMENTS HAVE BEEN MADE TO 5
THE PATENT

AS A RESULT OF REEXAMINATION, IT HAS BEEN
DETERMINED THAT:

The patentability of claim 1 is confirmed. 10

* * * * *