



US00D853119S

(12) **United States Design Patent** (10) **Patent No.:** **US D853,119 S**
Spiegel et al. (45) **Date of Patent:** **** Jul. 9, 2019**

(54) **CASE FOR A COLLECTIBLE POSTAGE STAMP**

(74) *Attorney, Agent, or Firm* — Patent GC LLC; Alexander Franco

(71) Applicant: **Authenticated Stamp Guaranty, LLC**, Lakewood Ranch, FL (US)

(57) **CLAIM**

The ornamental design for a case for a collectible postage stamp, as shown and described.

(72) Inventors: **Max Spiegel**, Sarasota, FL (US); **Eloy Nunez**, Ellenton, FL (US); **Joseph R Yanarella, Jr.**, Wellington, FL (US); **Stephen Lam**, Hong Kong (CN)

DESCRIPTION

(**) Term: **15 Years**

FIG. 1 is a perspective view of a case for a collectible postage stamp in accordance with a first embodiment.

(21) Appl. No.: **29/618,881**

FIG. 2 is an elevation view of a back side of the case for a collectible postage stamp in accordance with the first embodiment.

(22) Filed: **Sep. 25, 2017**

FIG. 3 is an elevation view of the front side of the case for a collectible postage stamp in accordance with the first embodiment.

(51) **LOC (11) Cl.** **03-01**

FIG. 4 is an elevation view of a right side of the case for a collectible postage stamp in accordance with the first embodiment.

(52) **U.S. Cl.**
USPC **D3/302**

FIG. 5 is an elevation view of a left side of the case for a collectible postage stamp in accordance with the first embodiment.

(58) **Field of Classification Search**
USPC D3/201, 242, 273, 274, 275, 294, 295, D3/300, 247, 249, 250, 252, 253; D6/300; D19/26; D21/392; D9/418
(Continued)

FIG. 6 is a plan view of the top side of the case for a collectible postage stamp in accordance with the first embodiment.

(56) **References Cited**

FIG. 7 is a plan view of the bottom side of the case for a collectible postage stamp in accordance with the first embodiment.

U.S. PATENT DOCUMENTS

995,747 A * 6/1911 Westerbeck B65D 25/54
220/662
1,080,219 A * 12/1913 Housh B42F 5/00
40/775

FIG. 8 is a perspective exploded view of the case for a collectible postage stamp in accordance with the first embodiment.

(Continued)

FIG. 9 is a cutaway elevation view of the case for a collectible postage stamp along the sight lines indicated in FIG. 2 in accordance with the first embodiment.

OTHER PUBLICATIONS

About us, posted at collectiblesgroup.com, available Aug. 12, 2016, online, URL: <https://www.collectiblesgroup.com/about-us/> (Year: 2016).*

FIG. 10 is an close up view of a side of the case for a collectible postage stamp as indicated in FIG. 4 in accordance with the first embodiment.

(Continued)

FIG. 11 is a perspective view of a case for a collectible postage stamp in accordance with a second embodiment.

Primary Examiner — Anhdao Doan
Assistant Examiner — Mary Shannon Malley

FIG. 12 is an elevation view of a back side of the case for a collectible postage stamp in accordance with the second embodiment.

(Continued)

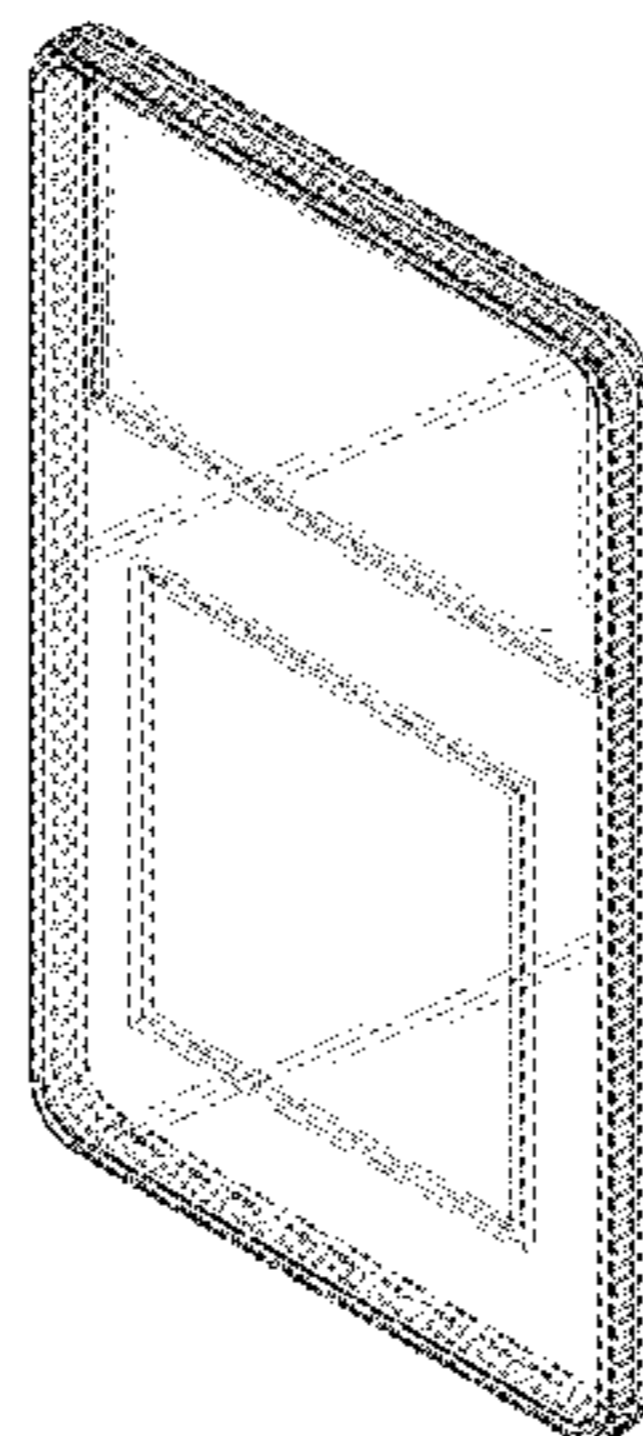


FIG. 13 is an elevation view of the front side of the case for a collectible postage stamp in accordance with the second embodiment.

FIG. 14 is an elevation view of a right side of the case for a collectible postage stamp in accordance with the second embodiment.

FIG. 15 is an elevation view of a left side of the case for a collectible postage stamp in accordance with the second embodiment.

FIG. 16 is a plan view of the top side of the case for a collectible postage stamp in accordance with the second embodiment.

FIG. 17 is a plan view of the bottom side of the case for a collectible postage stamp in accordance with the second embodiment.

FIG. 18 is a perspective exploded view of the case for a collectible postage stamp in accordance with the second embodiment.

FIG. 19 is a cutaway elevation view of the case for a collectible postage stamp along the sight lines indicated in FIG. 12 in accordance with the second embodiment.

FIG. 20 is an close up view of a side of the case for a collectible postage stamp as indicated in FIG. 14 in accordance with the second embodiment.

FIG. 21 is a perspective view of a case for a collectible postage stamp in accordance with a third embodiment.

FIG. 22 is an elevation view of a back side of the case for a collectible postage stamp in accordance with the third embodiment.

FIG. 23 is an elevation view of the front side of the case for a collectible postage stamp in accordance with the third embodiment.

FIG. 24 is an elevation view of a right side of the case for a collectible postage stamp in accordance with the third embodiment.

FIG. 25 is an elevation view of a left side of the case for a collectible postage stamp in accordance with the third embodiment.

FIG. 26 is a plan view of the top side of the case for a collectible postage stamp in accordance with the third embodiment.

FIG. 27 is a plan view of the bottom side of the case for a collectible postage stamp in accordance with the third embodiment.

FIG. 28 is a perspective exploded view of the case for a collectible postage stamp in accordance with the third embodiment.

FIG. 29 is a cutaway elevation view of the case for a collectible postage stamp along the sight lines indicated in FIG. 22 in accordance with the third embodiment.

FIG. 30 is an close up view of a side of the case for a collectible postage stamp as indicated in FIG. 24 in accordance with the third embodiment.

FIG. 31 is a perspective view of a case for a collectible postage stamp in accordance with a first embodiment, but showing a disclaimed certification label and a disclaimed postage stamp for context; and,

FIG. 32 is an elevation view of a front side of the case for a collectible postage stamp in accordance with the first embodiment, but showing a disclaimed certification label and a disclaimed postage stamp for context.

In the drawings, the broken lines showing a certification label and a postage stamp represent environmental subject matter that forms no part of the claimed design.

1 Claim, 32 Drawing Sheets

(58) **Field of Classification Search**

CPC B42D 3/12; B42D 3/045; B65D 11/00;
B65D 11/10; B65D 25/10; B65D 25/54;
B42F 5/00; B42F 5/02; B42F 5/04; B42F
5/005

See application file for complete search history.

(56) **References Cited**

U.S. PATENT DOCUMENTS

2,611,369	A *	9/1952	Herrick	B42F 5/00 229/67.1
3,797,146	A *	3/1974	Holes	B42D 1/08 281/15.1
4,048,740	A *	9/1977	Zitzelberger	B42D 1/08 40/124.11
D423,757	S	4/2000	Briggs	
6,263,602	B1 *	7/2001	Seiber	G09F 15/00 40/594
6,540,260	B1 *	4/2003	Tan	B42D 1/08 281/21.1
D527,900	S *	9/2006	Dewa	D21/392
D712,655	S *	9/2014	Tischler	D3/247
2001/0001910	A1 *	5/2001	Cumberland	B42F 5/00 40/779
2005/0011795	A1 *	1/2005	Vanderberg	B42F 5/00 206/472
2006/0265923	A1 *	11/2006	Champnella, II	B42F 5/04 40/776
2017/0096270	A1 *	4/2017	Jauregui	A63F 1/10
2017/0253067	A1 *	9/2017	Nelson	B42D 3/045

OTHER PUBLICATIONS

“About NGC” available on URL: <https://www.ngccoin.com/coin-grading/about-ngc/>, retrieved on Sep. 25, 2017, 6 pages.

“Graded MINT Stamps Never Fine 70 to GEM100” available on URL: http://www.gradedstamps.com/gallery/search.php?page=search&task=det_item&item_id=29120, retrieved on Sep. 25, 2017, 4 pages.

“Professional Stamp Experts” available on URL: http://www.psestamp.com/articles/article_view.shtml?artid=7266, dated May 24, 2012, 2 pages.

“Yuan-Tai Trading” available on URL: http://ytgrading.com/web/yt/coinsearch?web/yt/coinsearch?p_p_id=coindetail_WAR_coinportlet&keyWord=17613001, retrieved on Sep. 25, 2017, 1 page.

* cited by examiner

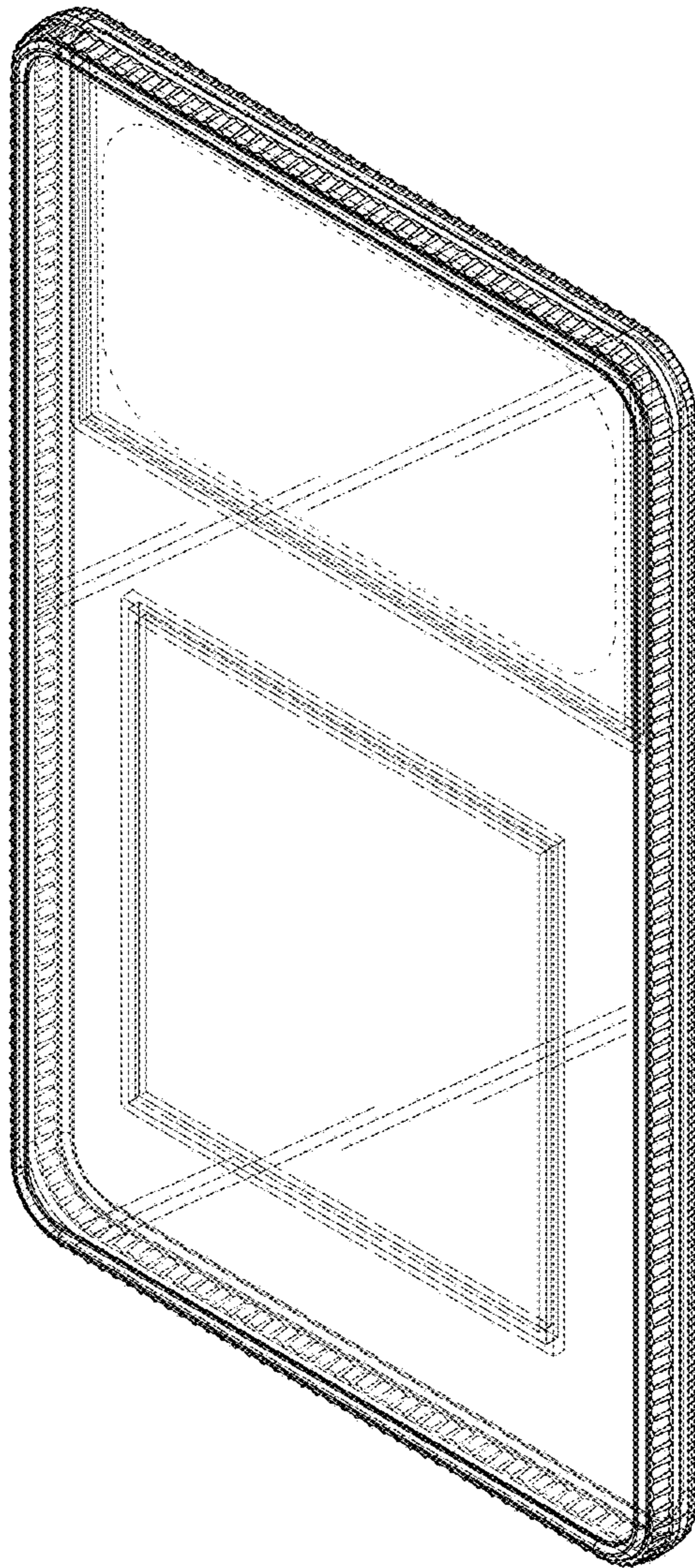


FIG. 1

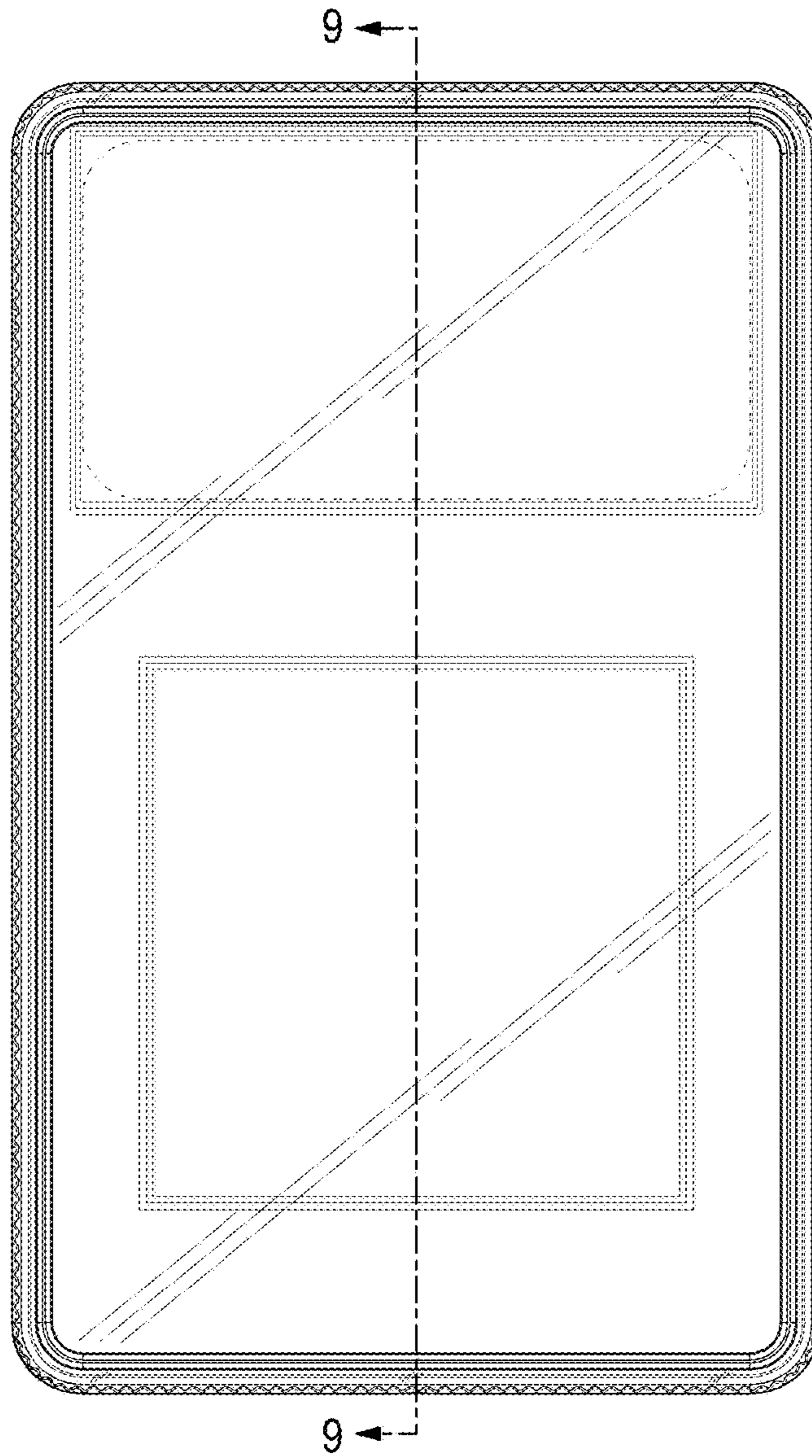


FIG. 2

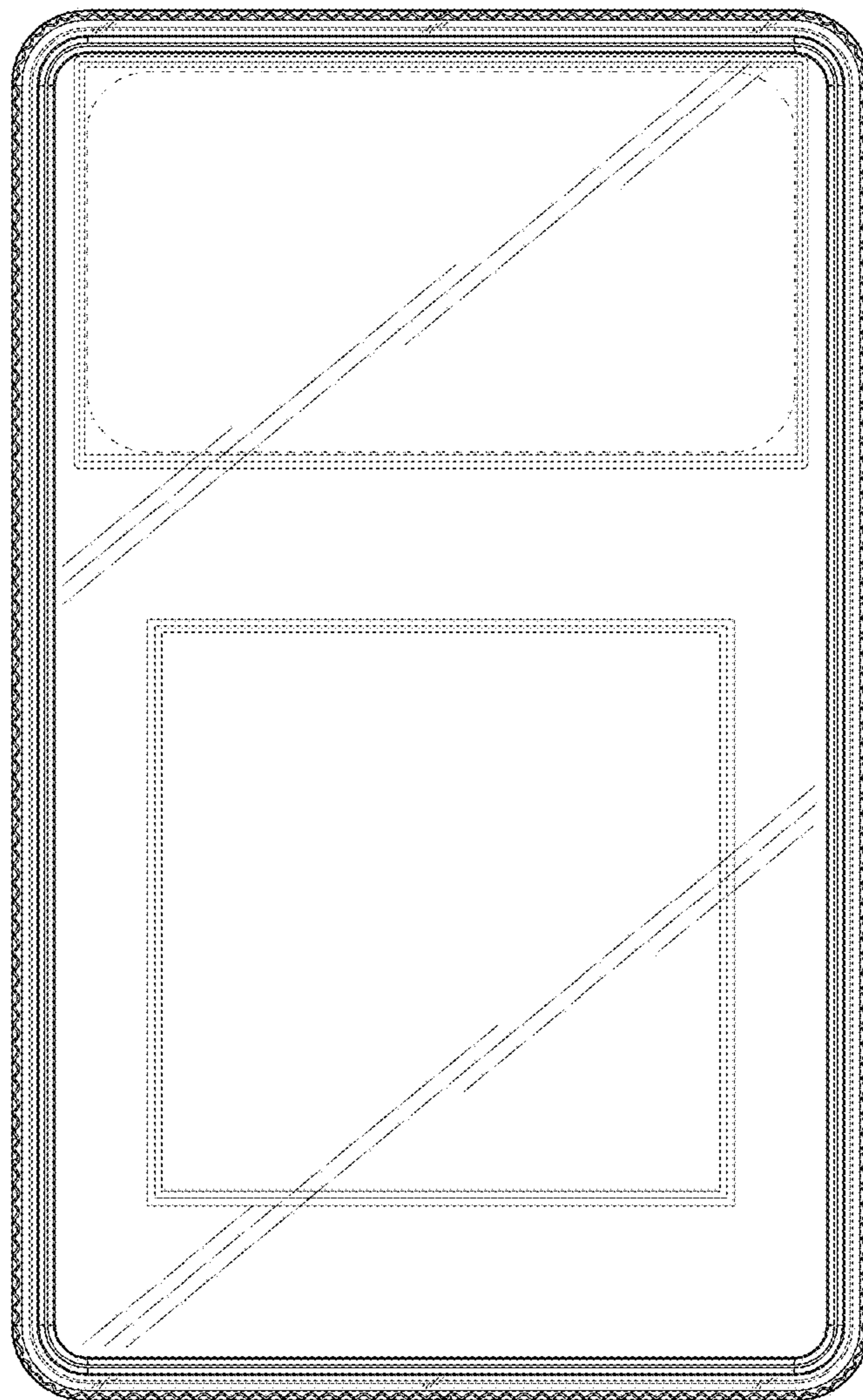


FIG. 3

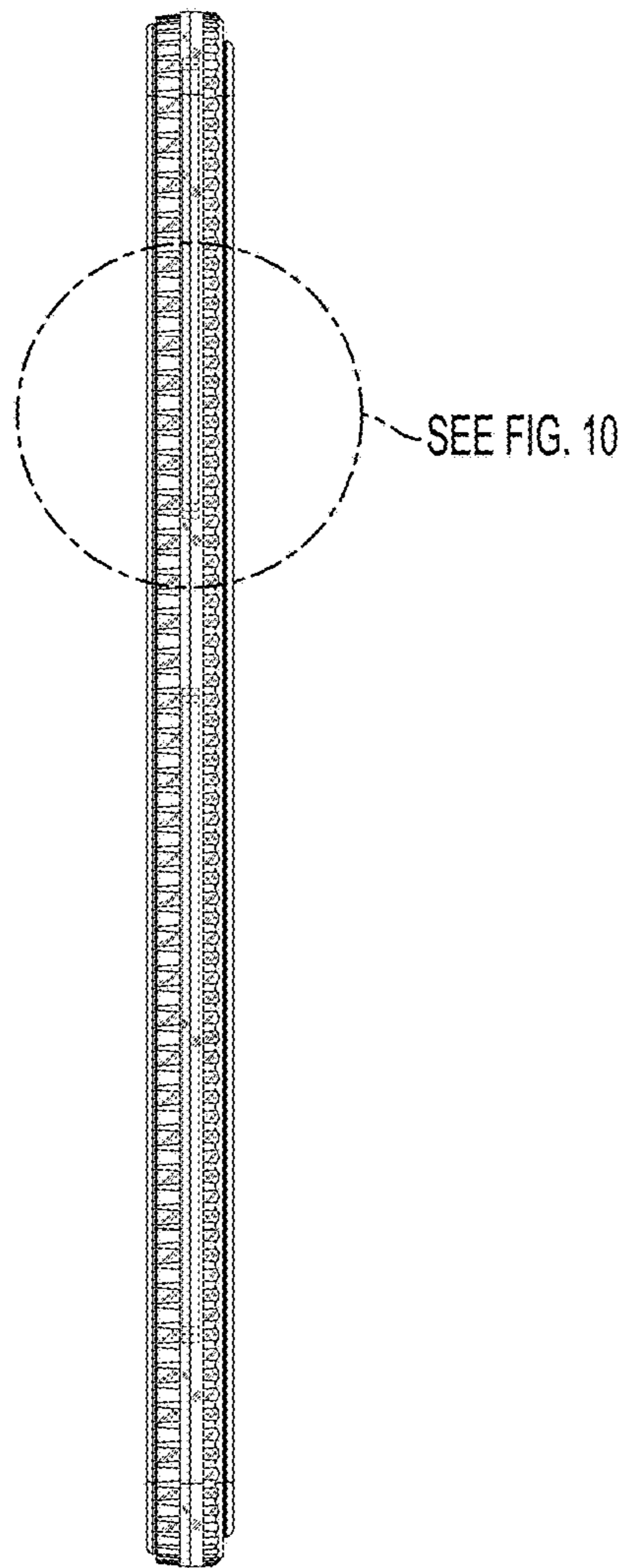


FIG. 4

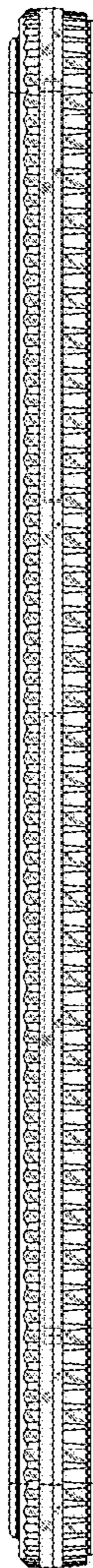


FIG. 5



FIG. 6



FIG. 7

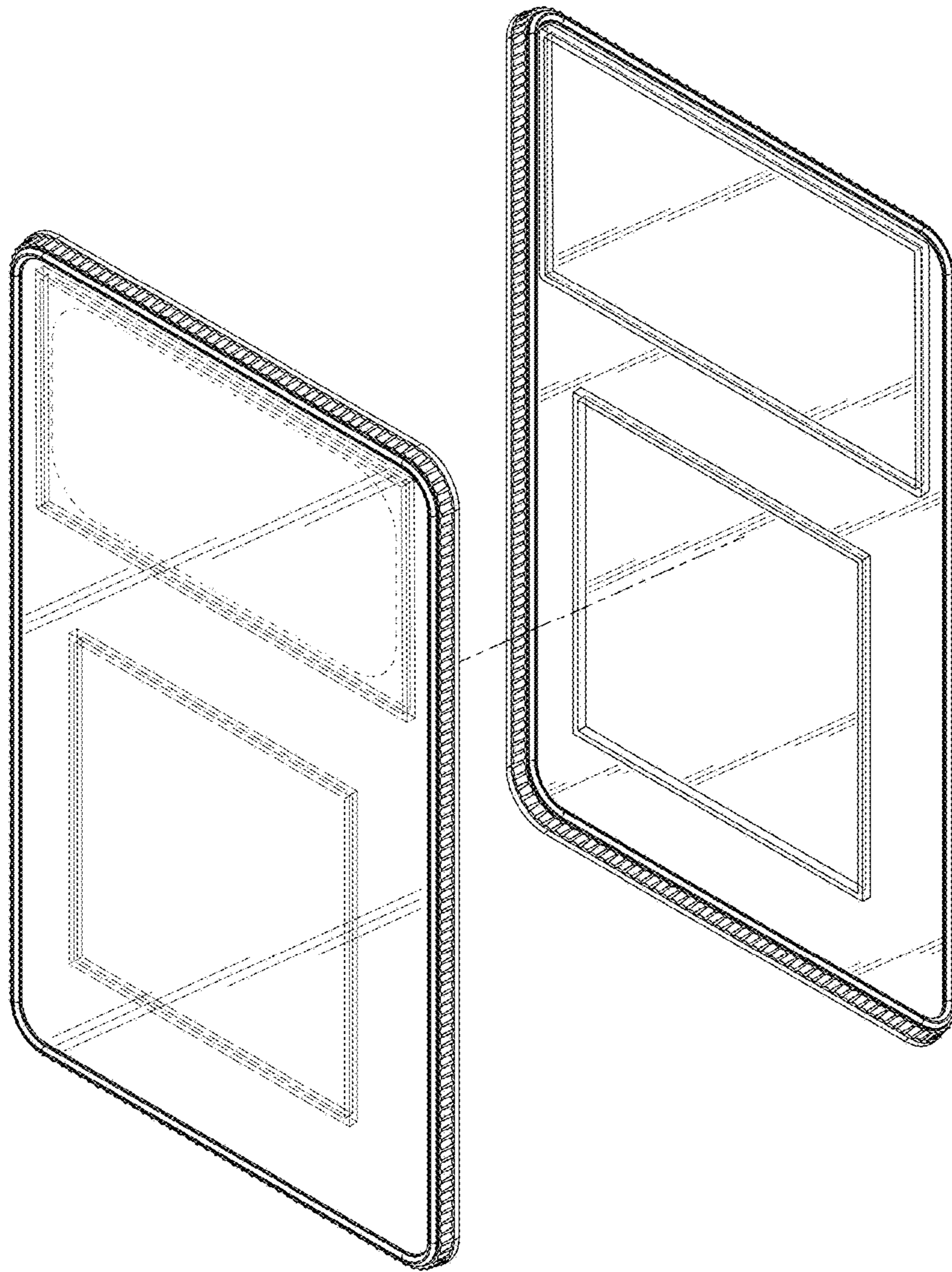


FIG. 8

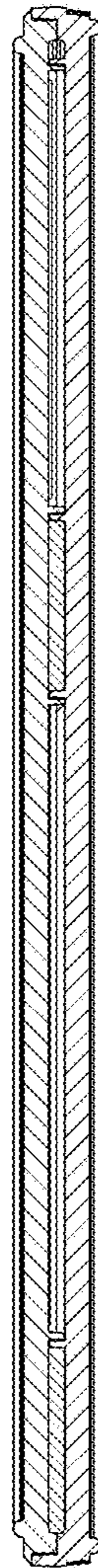


FIG. 9

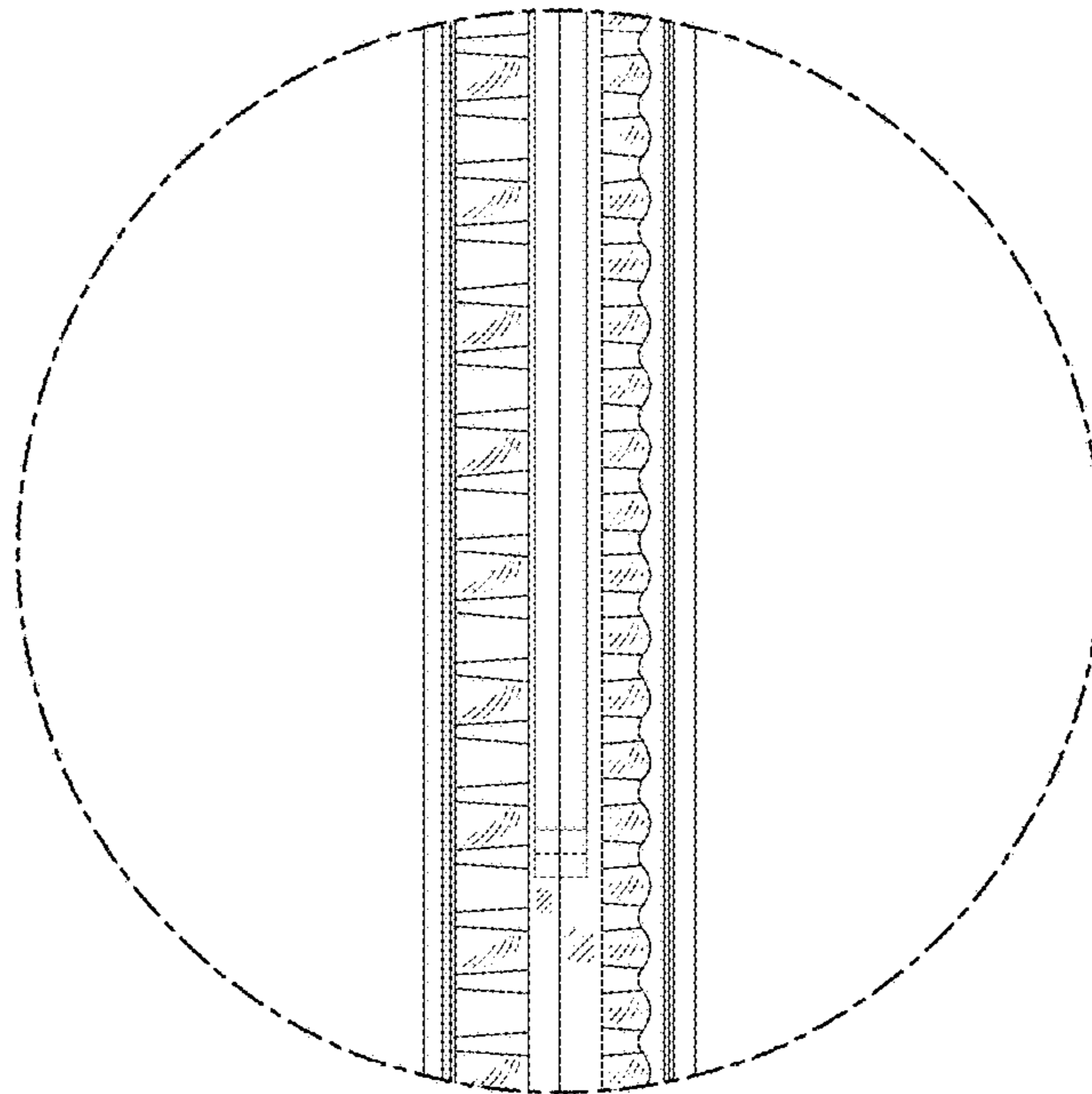


FIG. 10

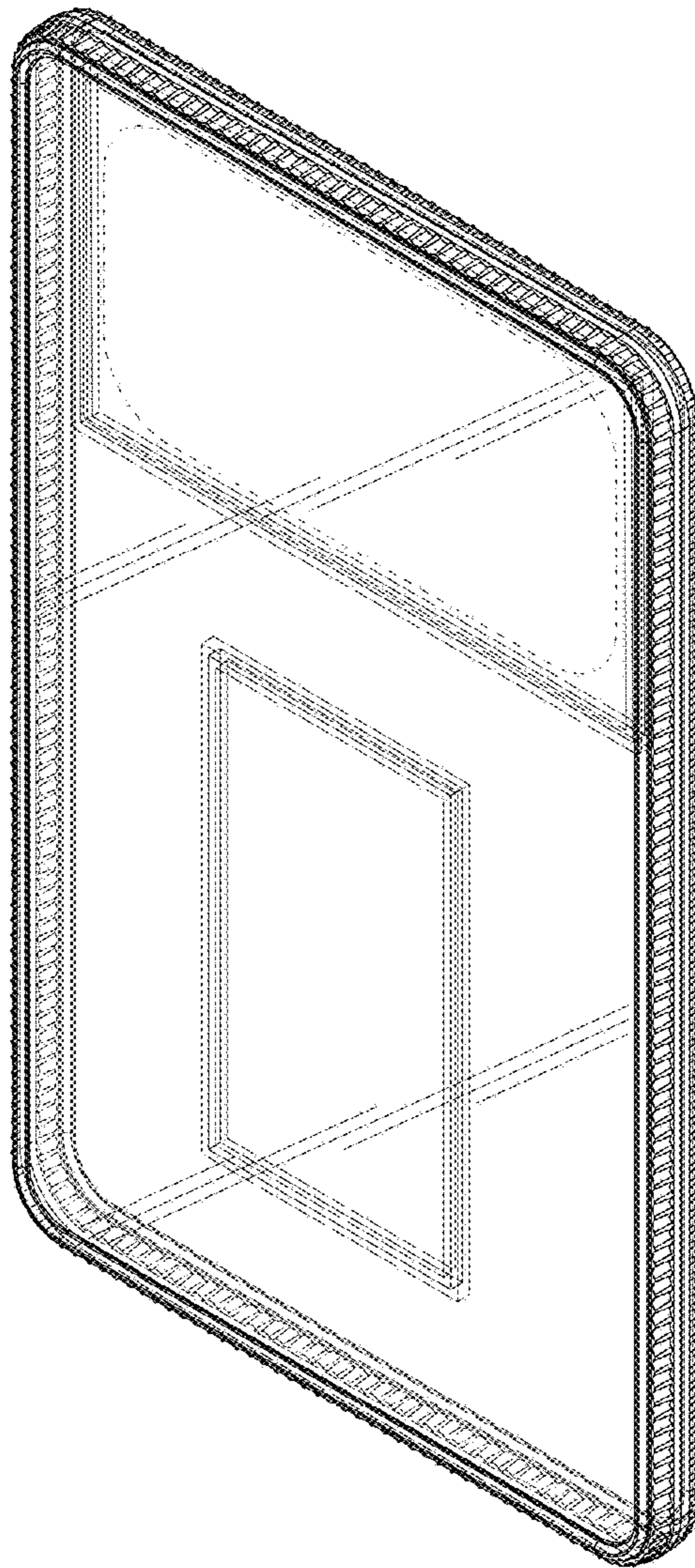


FIG. 11

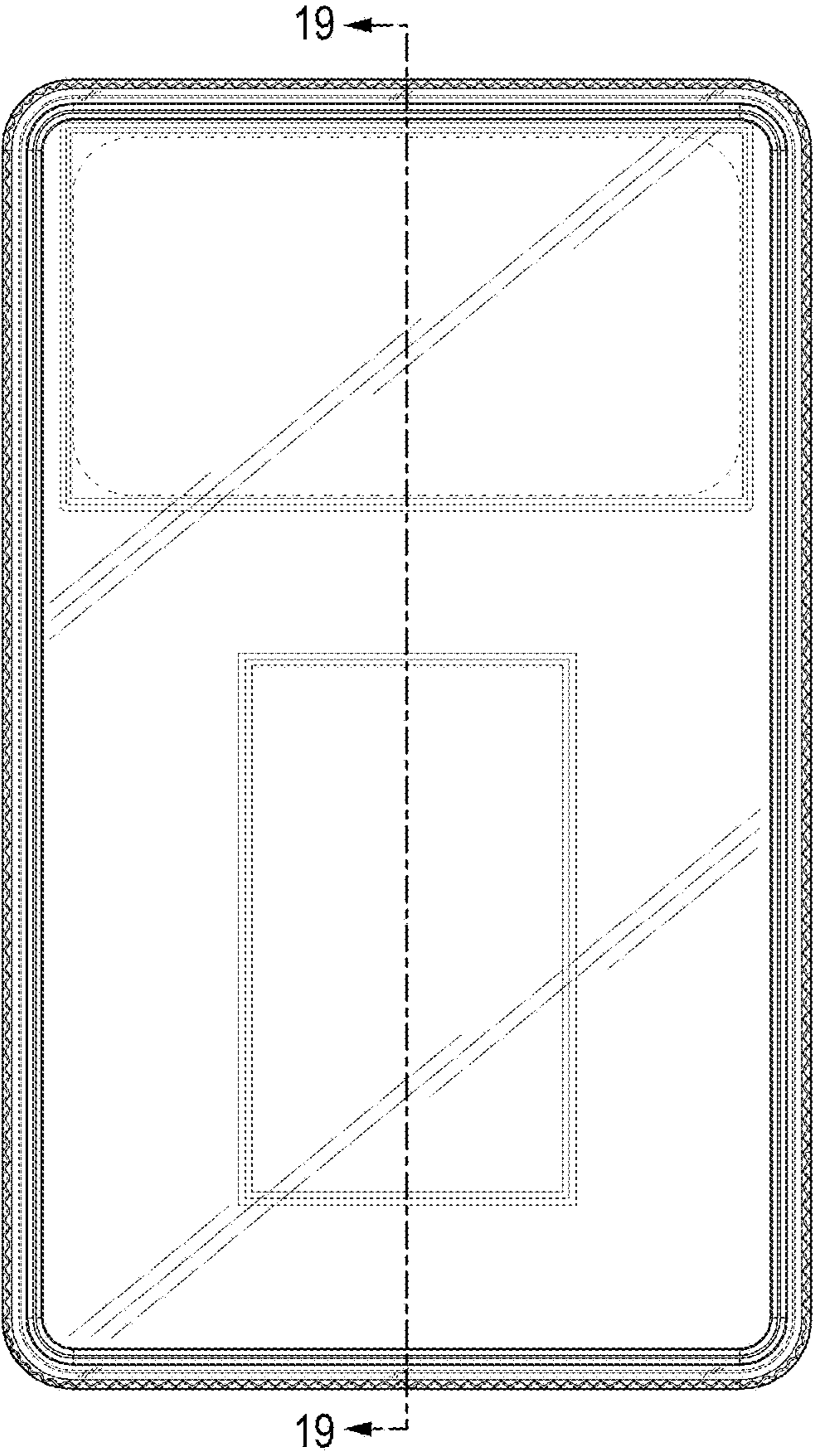


FIG. 12

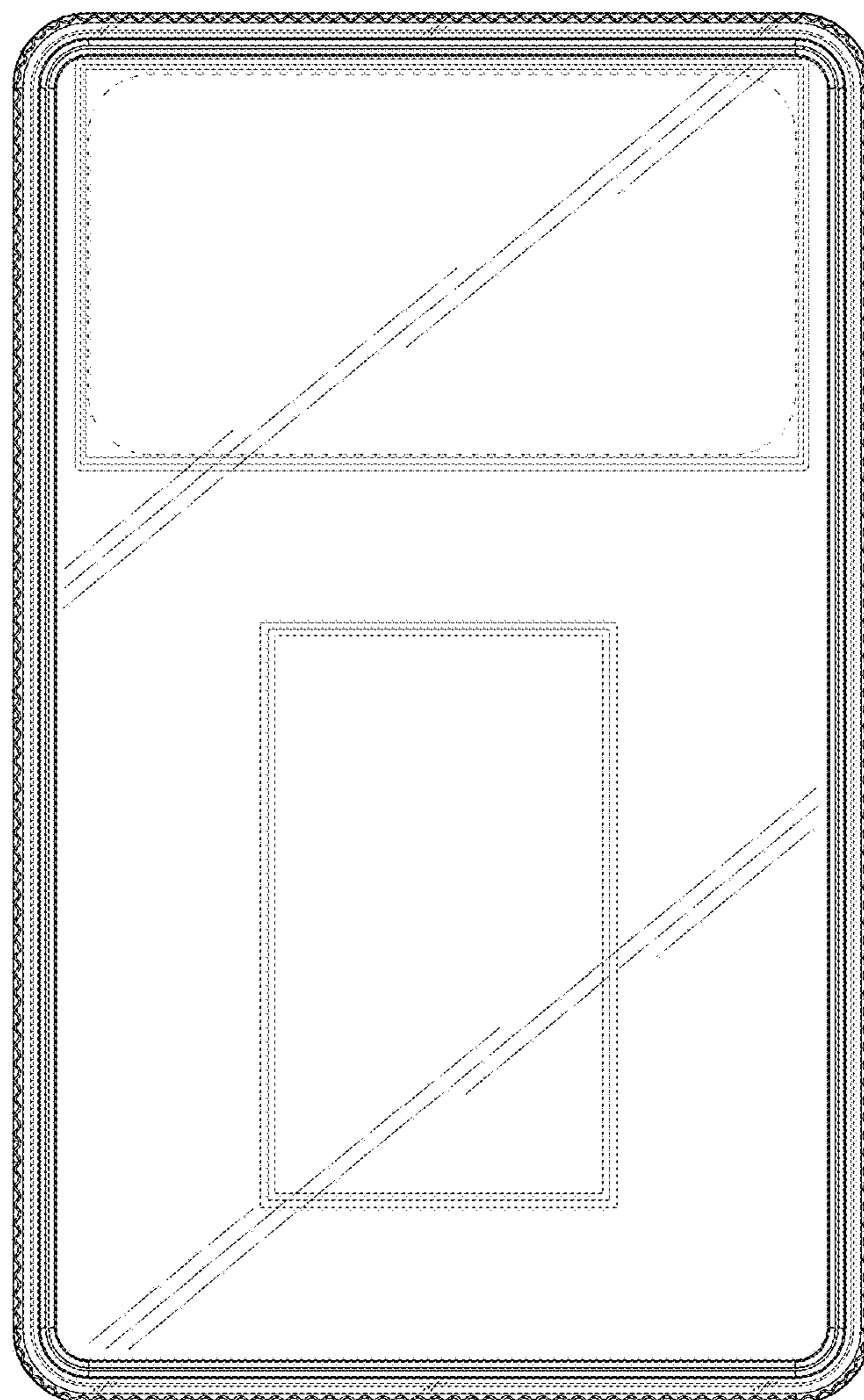


FIG. 13

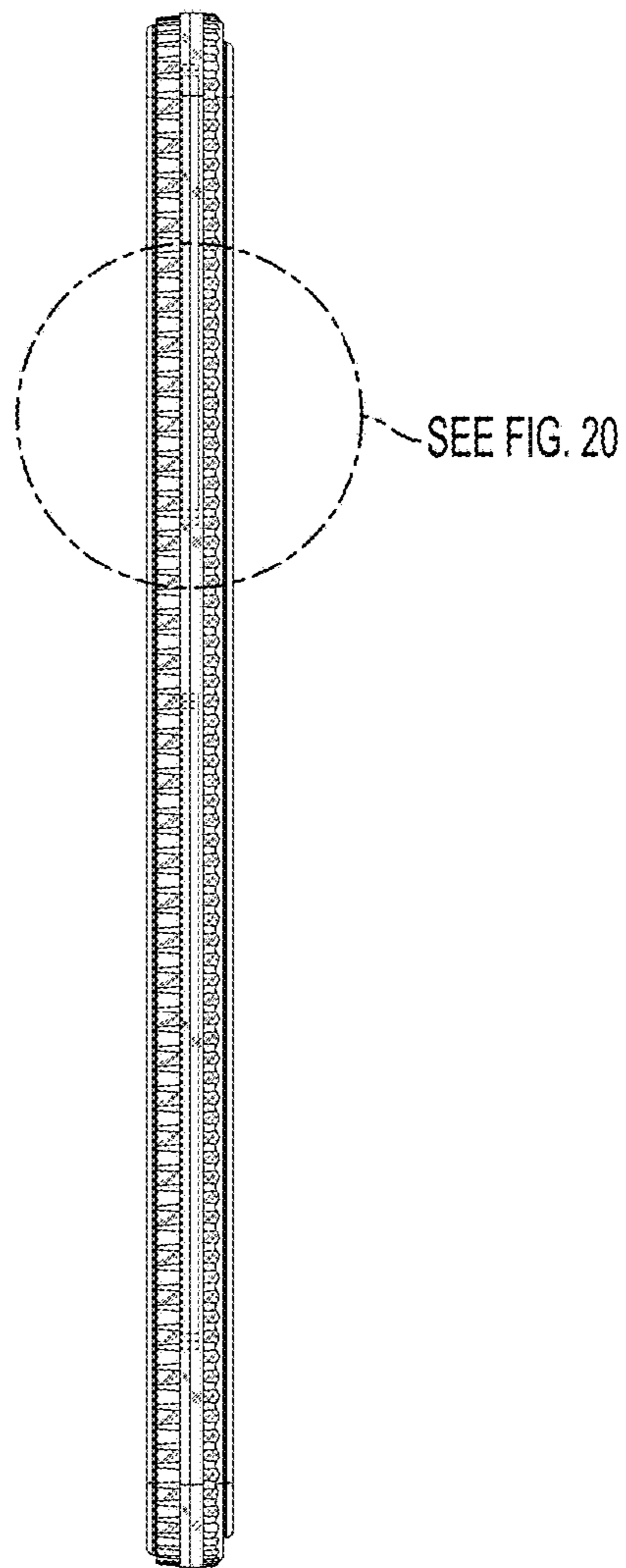


FIG. 14

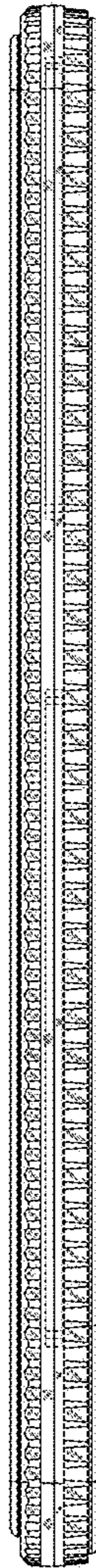


FIG. 15



FIG. 16



FIG. 17

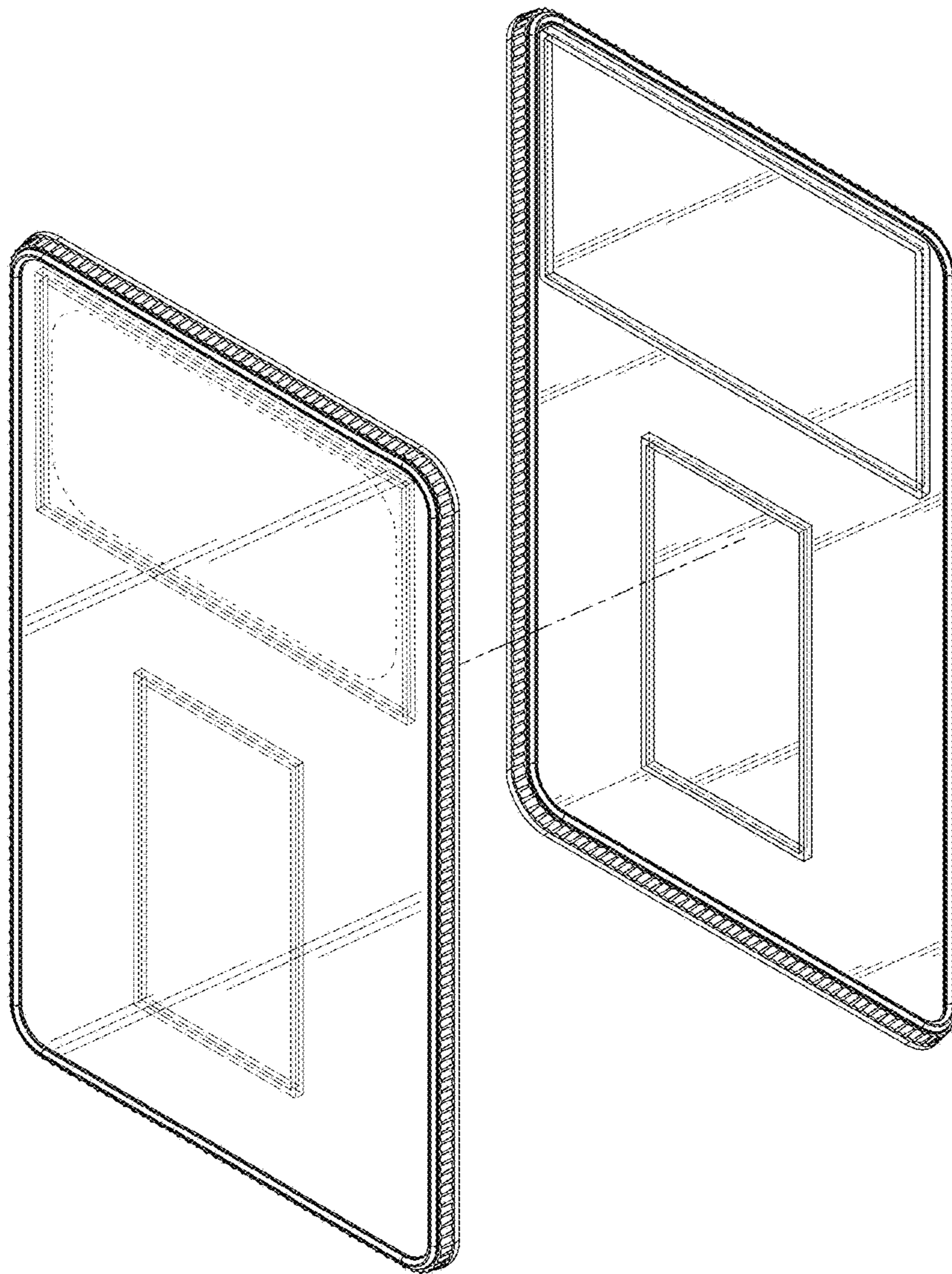


FIG. 18

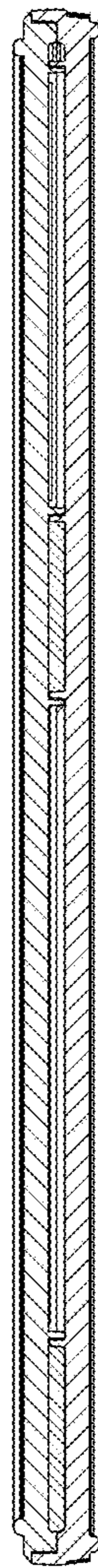


FIG. 19

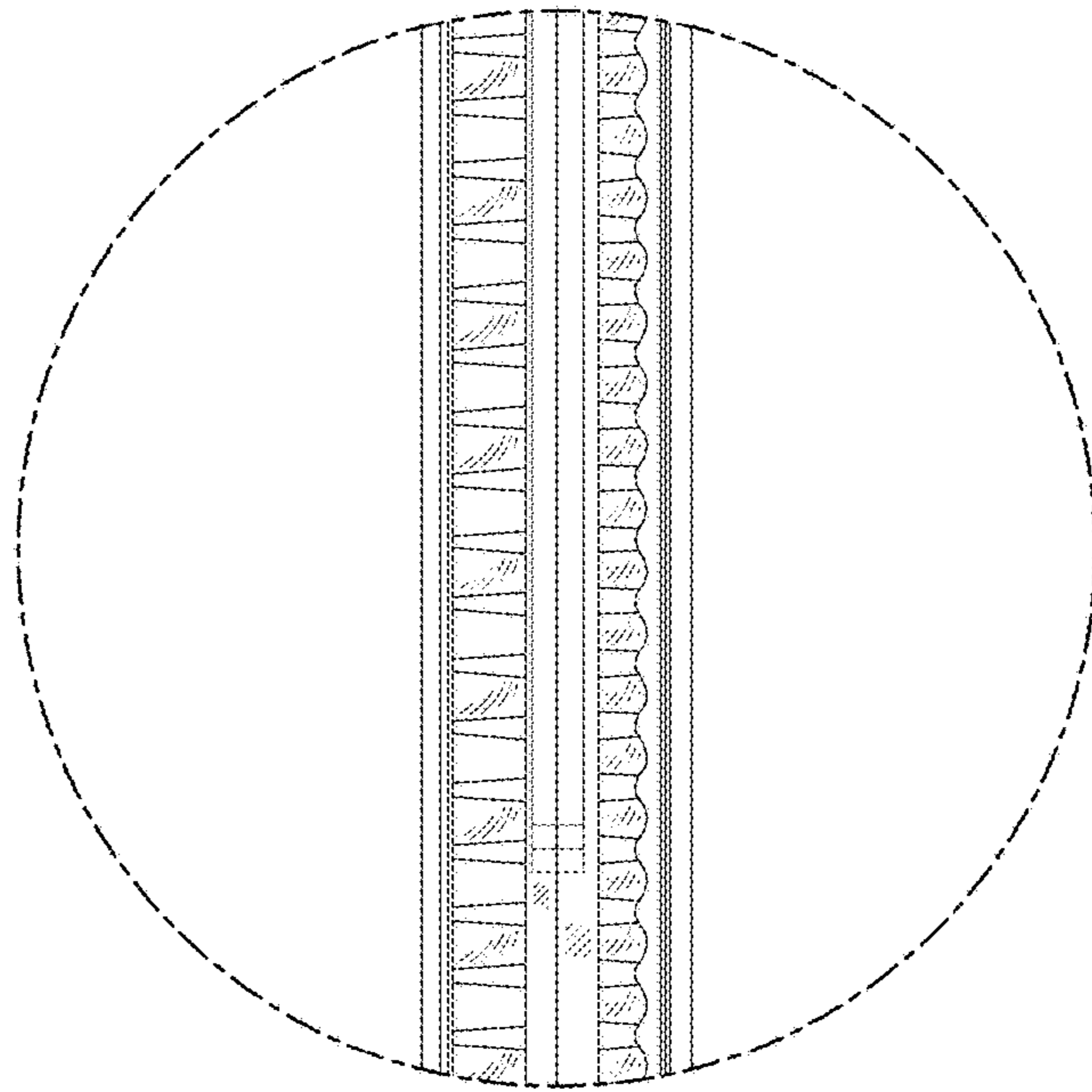


FIG. 20

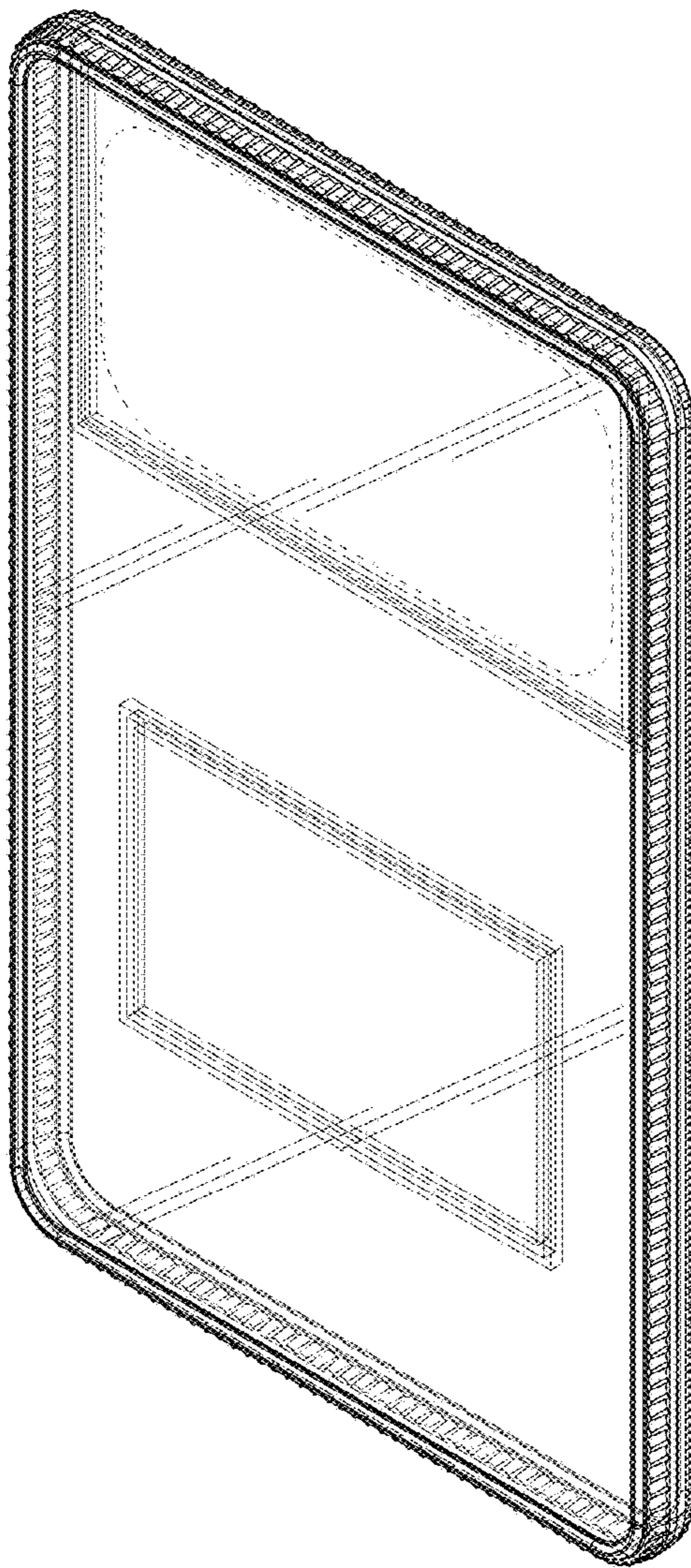


FIG. 21

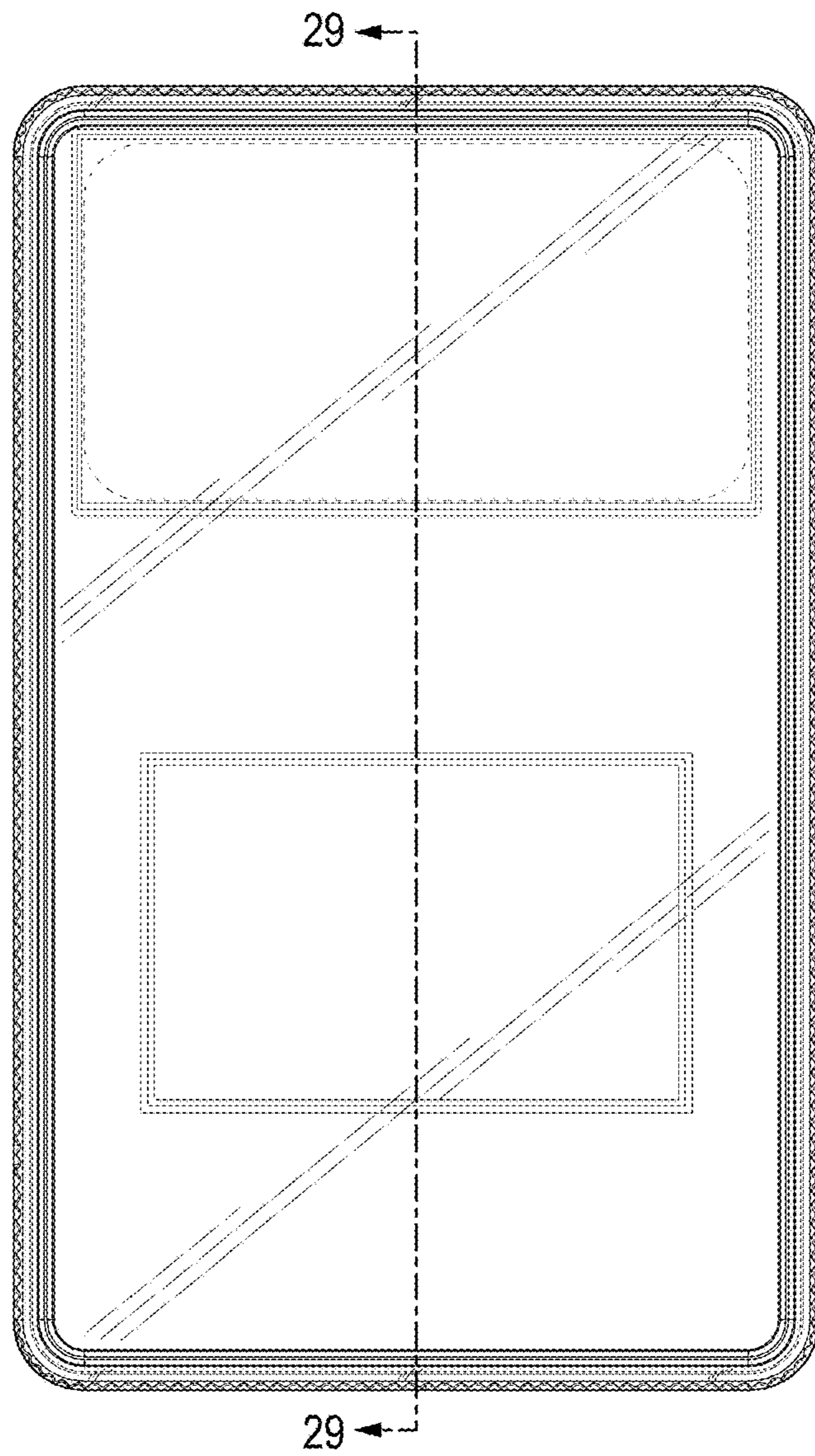


FIG. 22

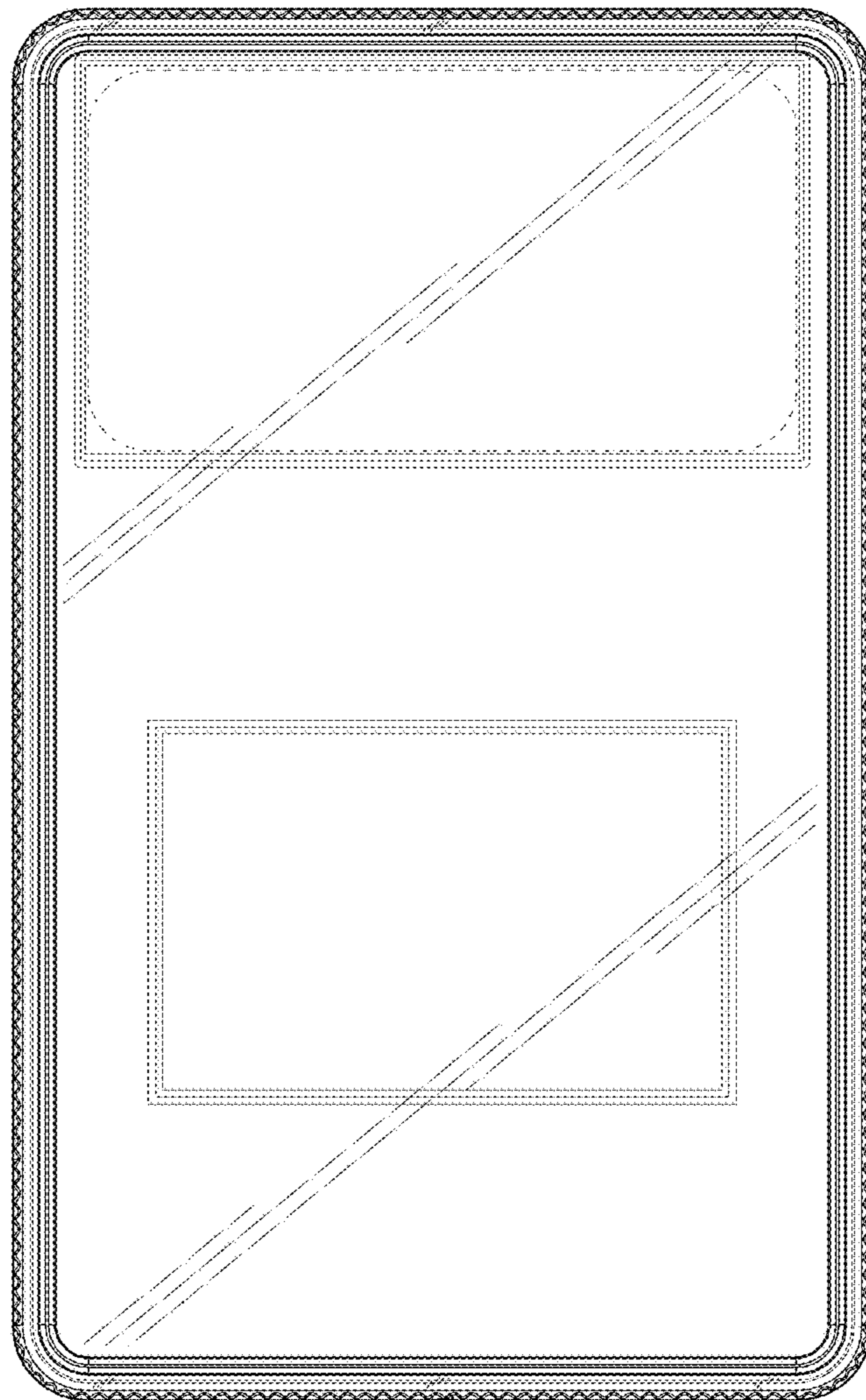


FIG. 23

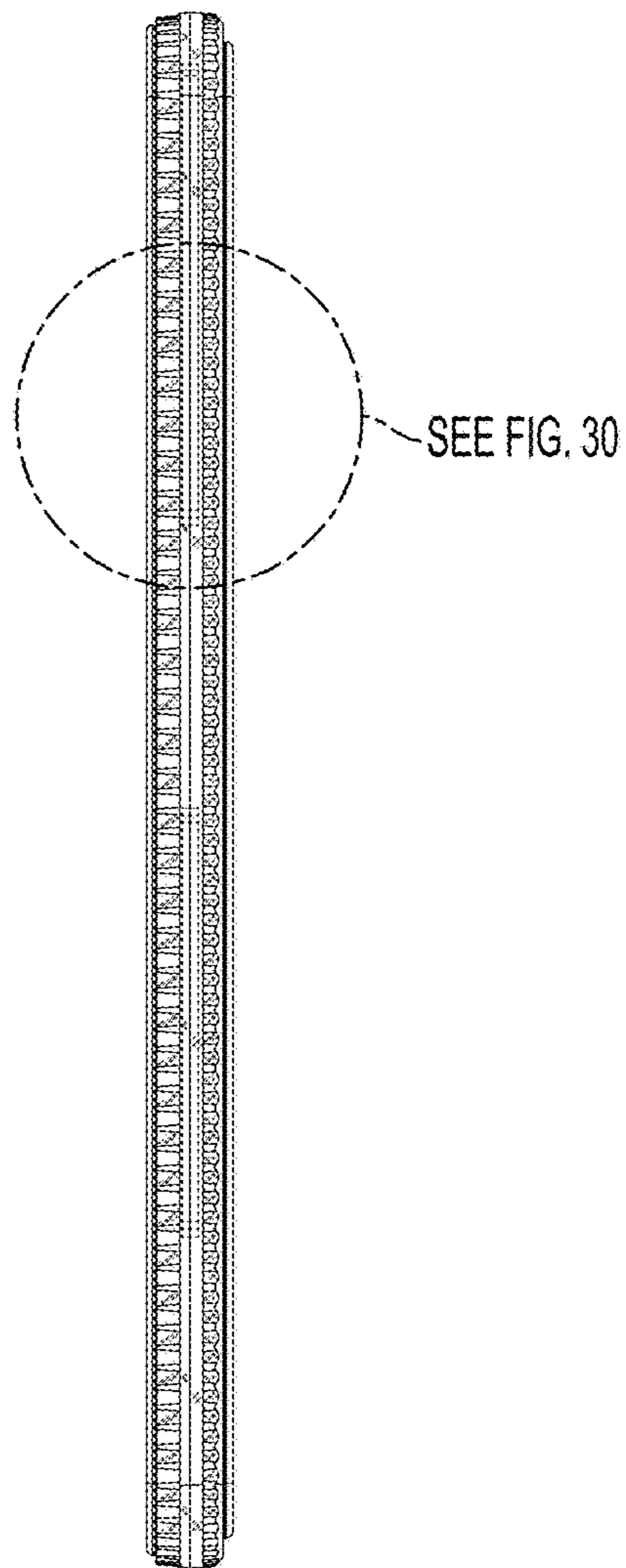


FIG. 24

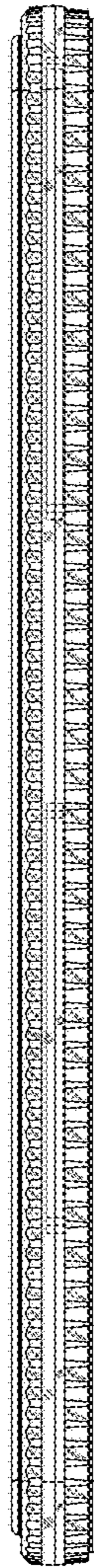


FIG. 25



FIG. 26



FIG. 27

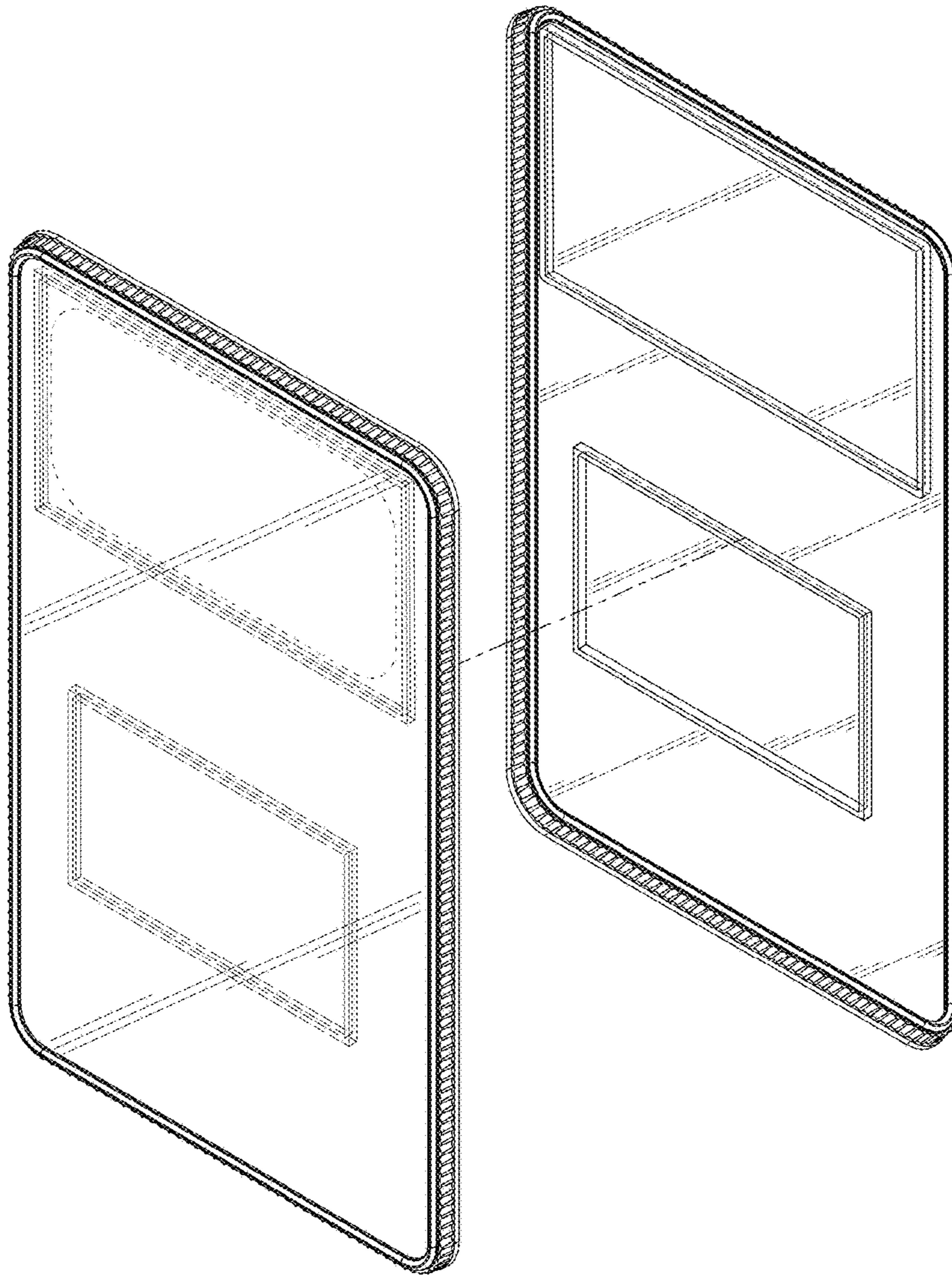


FIG. 28

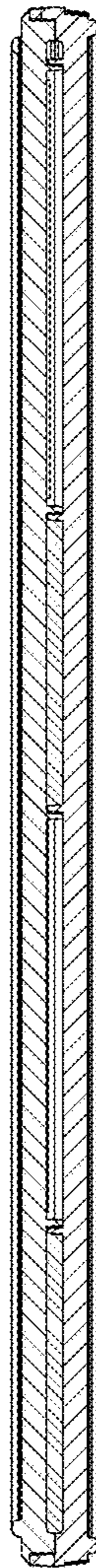


FIG. 29

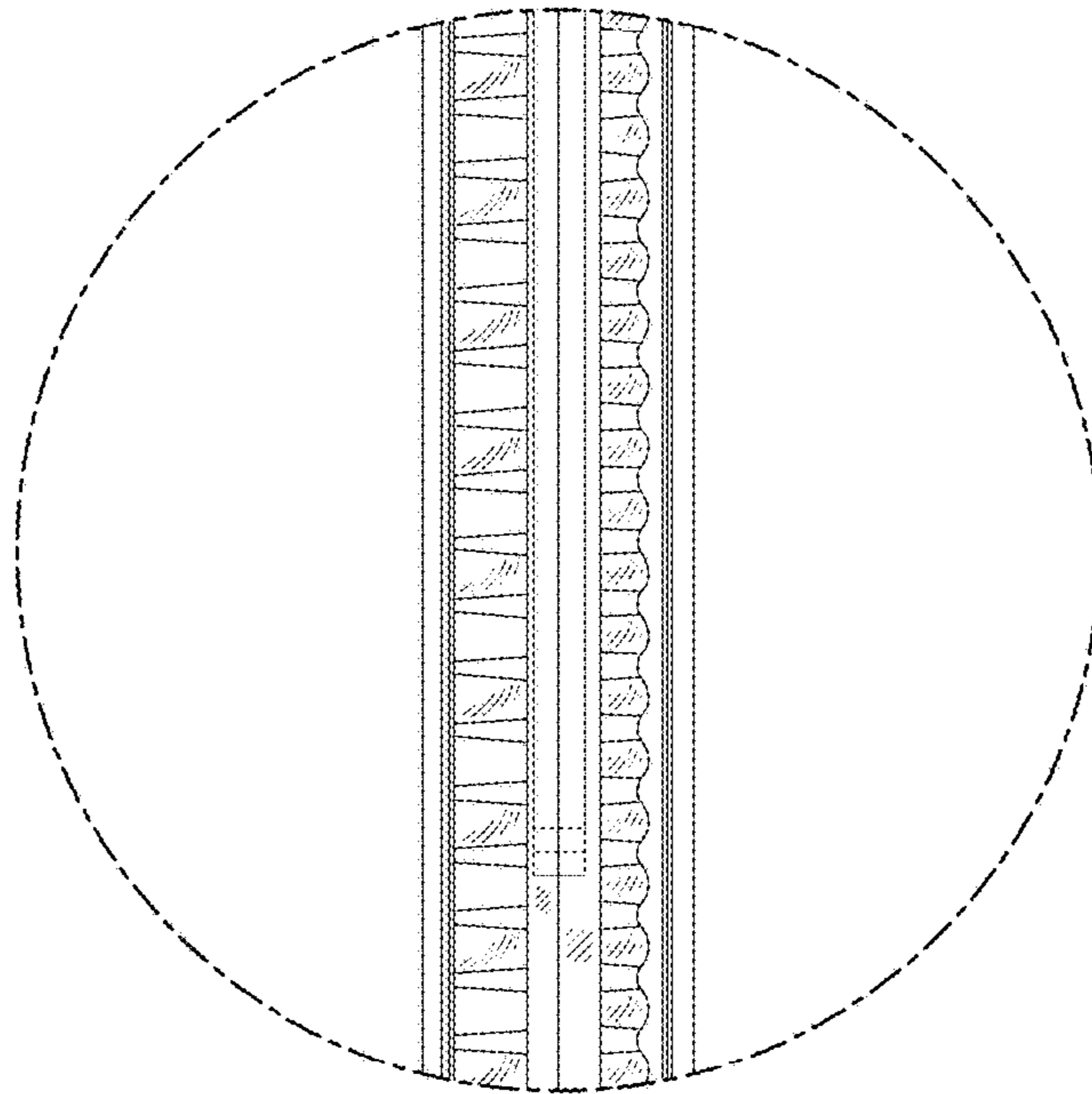


FIG. 30

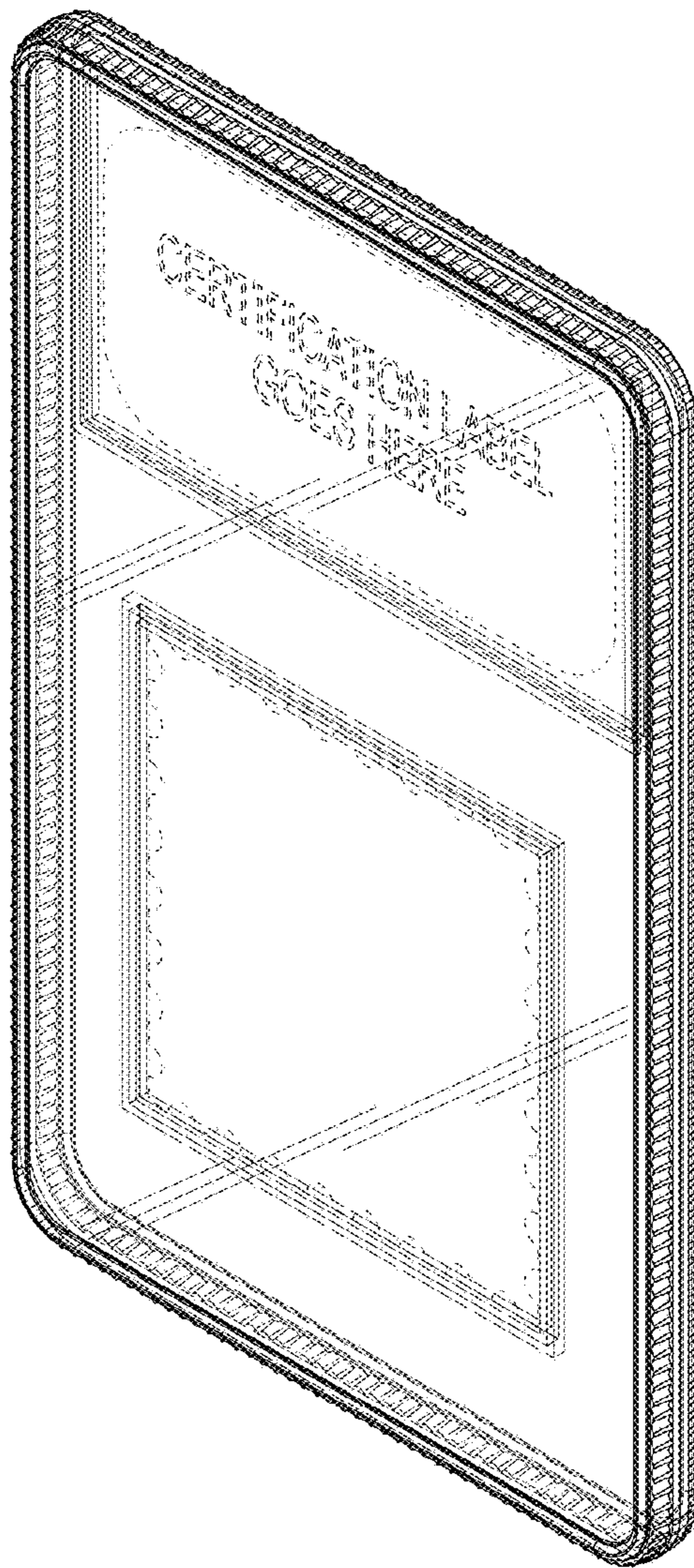


FIG. 31

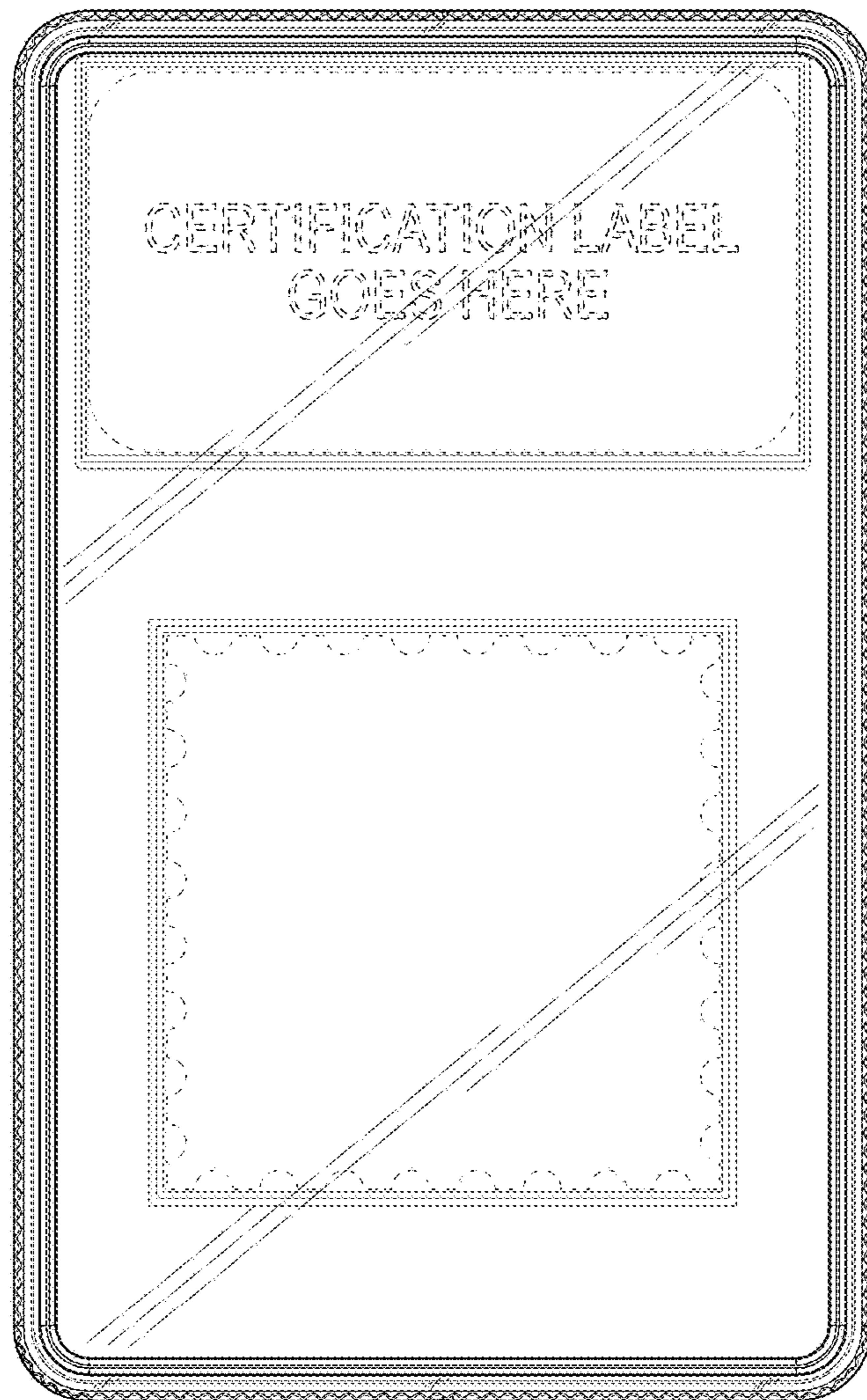


FIG. 32