



US00D853116S

(12) **United States Design Patent**
Bergman et al.

(10) **Patent No.:** **US D853,116 S**
(45) **Date of Patent:** **** Jul. 9, 2019**

- (54) **EAR BUD CARRYING CASE**
- (71) Applicant: **Kanoa Inc.**, San Francisco, CA (US)
- (72) Inventors: **Eric Bergman**, Montara, CA (US);
Roland Schwarz, Waldo, WI (US);
Lorenzo Tomas Castillo, San Francisco, CA (US); **Cival van der lubbe**, San Francisco, CA (US)

(**) Term: **15 Years**

(21) Appl. No.: **29/608,855**

(22) Filed: **Jun. 26, 2017**

(51) **LOC (11) Cl.** **03-01**

(52) **U.S. Cl.**
USPC **D3/294; D14/205**

(58) **Field of Classification Search**
USPC D14/223, 205; D3/201, 294, 295, 264,
D3/265, 203.1, 218, 318, 319; 206/37,
206/38, 523, 702, 320, 526; D9/432,
D9/456, 721, 430; 181/129, 130;
379/430, 431; 381/380, 381, 74;
455/90.3, 575.1, 569.1; D13/107
CPC H04R 25/00; H04R 25/02; H04R 1/02;
A61F 11/08; H25H 3/02; B25H 3/00
See application file for complete search history.

(56) **References Cited**

U.S. PATENT DOCUMENTS

- 1,906,111 A * 4/1933 Shields A47F 7/03
16/293
- 4,542,822 A * 9/1985 Kennedy, Jr. B65D 81/022
206/523
- D281,033 S * 10/1985 Mohri D3/295
- D313,753 S * 1/1991 Nagasaka D9/415
- D333,560 S * 3/1993 Miyashita D3/218
- D333,917 S * 3/1993 Daido D3/218
- 5,887,720 A * 3/1999 Lin H04R 1/10
206/38

- D479,016 S * 8/2003 Sgariboldi D28/78
- D506,744 S * 6/2005 Andre D14/205
- D529,288 S * 10/2006 Ham D3/294
- D547,544 S * 7/2007 Hussaini D3/201
- D575,956 S * 9/2008 Reardon D3/295
- D592,399 S * 5/2009 Sage D3/295
- D604,501 S * 11/2009 Lee D3/201
- D621,256 S * 8/2010 Andre D9/432
- D628,990 S * 12/2010 Pedersen D14/223
- D641,164 S * 7/2011 Cornu D3/294
- D667,301 S * 9/2012 Jones D9/456

(Continued)

Primary Examiner — Paula Allen Greene

(74) *Attorney, Agent, or Firm* — Mohamed Azeez; Unisha Patel

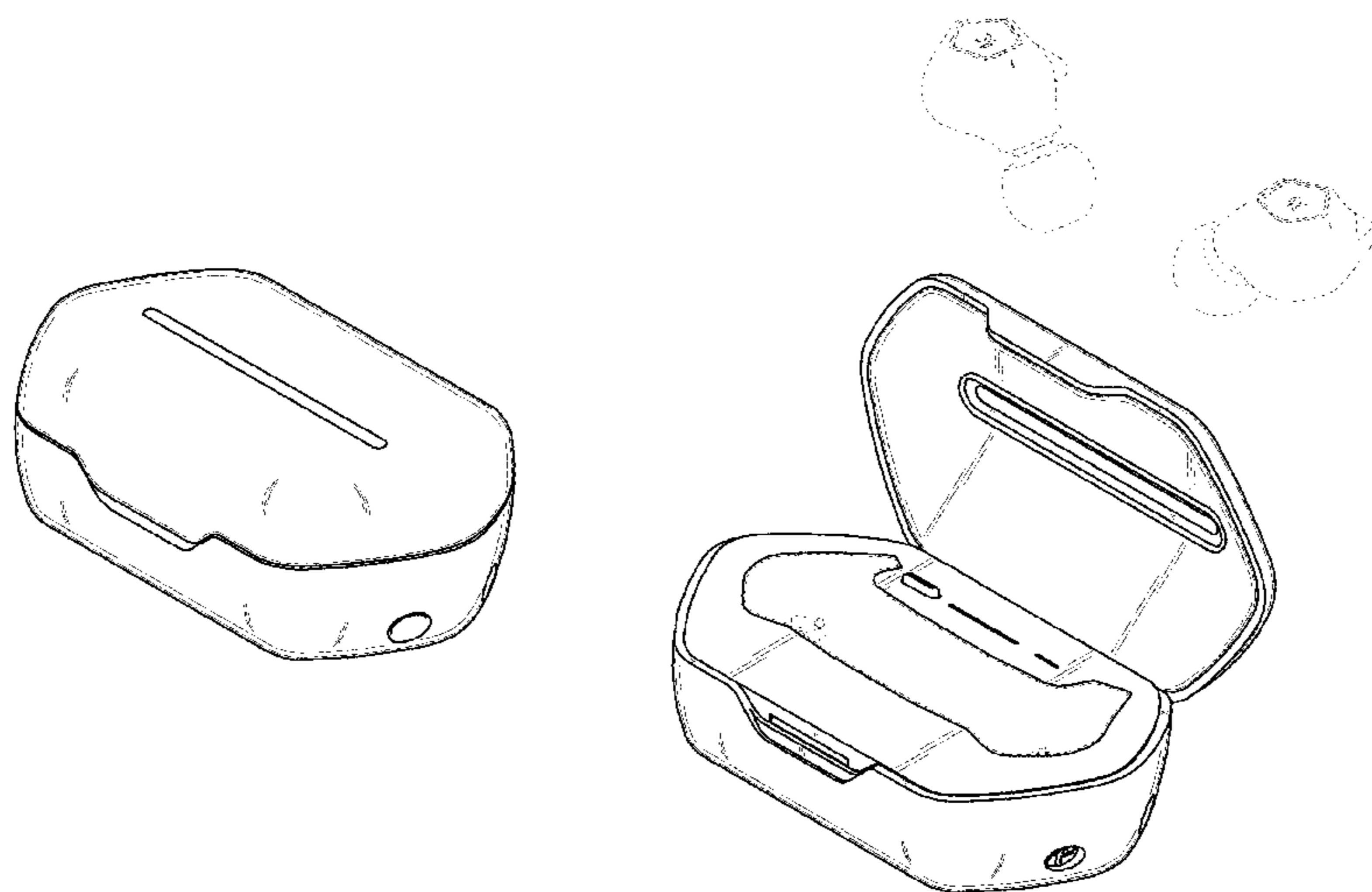
(57) **CLAIM**

We claim, the ornamental design for an ear bud carrying case, as shown and described.

DESCRIPTION

FIG. 1 is a top view of the closed carrying case for the ear buds;
FIG. 2 is an upper front right view thereof;
FIG. 3 is a front side view thereof;
FIG. 4 is a right side view thereof;
FIG. 5 is an upper back view thereof;
FIG. 6 is a bottom view thereof;
FIG. 7 is a lower bottom left view thereof;
FIG. 8 is a top view thereof;
FIG. 9 is an upper right front view thereof;
FIG. 10 is a front side view thereof;
FIG. 11 is a right side view thereof;
FIG. 12 is a top view thereof, the broken lines form no part of the claimed design;
FIG. 13 is an upper front right view thereof;
FIG. 14 is a front side view thereof; and,
FIG. 15 is a right side view thereof.
The broken lines depict environment that forms no part of the claimed design.

1 Claim, 6 Drawing Sheets



(56)

References Cited

U.S. PATENT DOCUMENTS

D673,430	S *	1/2013	Glassman	D3/201
D706,643	S *	6/2014	Akana	D9/432
D709,758	S *	7/2014	Burdock-Latter	D9/418
D712,279	S *	9/2014	Akana	D9/721
D716,770	S *	11/2014	Bonahoom	D14/223
D722,264	S *	2/2015	Saideh	D9/418
D738,110	S *	9/2015	Jiang	D3/294
D744,456	S *	12/2015	Pedersen	D14/223
D772,572	S *	11/2016	Palmborg	D3/201
D777,149	S *	1/2017	Bonahoom	D14/223
D778,156	S *	2/2017	Follett	D9/432
D786,834	S *	5/2017	Samrelius	D14/223
D796,968	S *	9/2017	Akana	D14/223
D799,316	S *	10/2017	Thain	D9/415
D800,097	S *	10/2017	Chen	D14/223
D801,951	S *	11/2017	Bao	D14/223
D805,060	S *	12/2017	Loermann	D14/223
D806,389	S *	1/2018	Muhlenkamp, IV	D3/295
D810,054	S *	2/2018	Yuan	D14/223
D812,042	S *	3/2018	Xiao	D14/223
D817,309	S *	5/2018	Czaniecki	D14/223
D817,640	S *	5/2018	Dang	D3/294
2005/0238192	A1 *	10/2005	Ford	H04R 25/654 381/322
2008/0156805	A1 *	7/2008	Perry	B65D 25/2897 220/361
2011/0155147	A1 *	6/2011	McIntosh	A61F 11/08 128/864

* cited by examiner

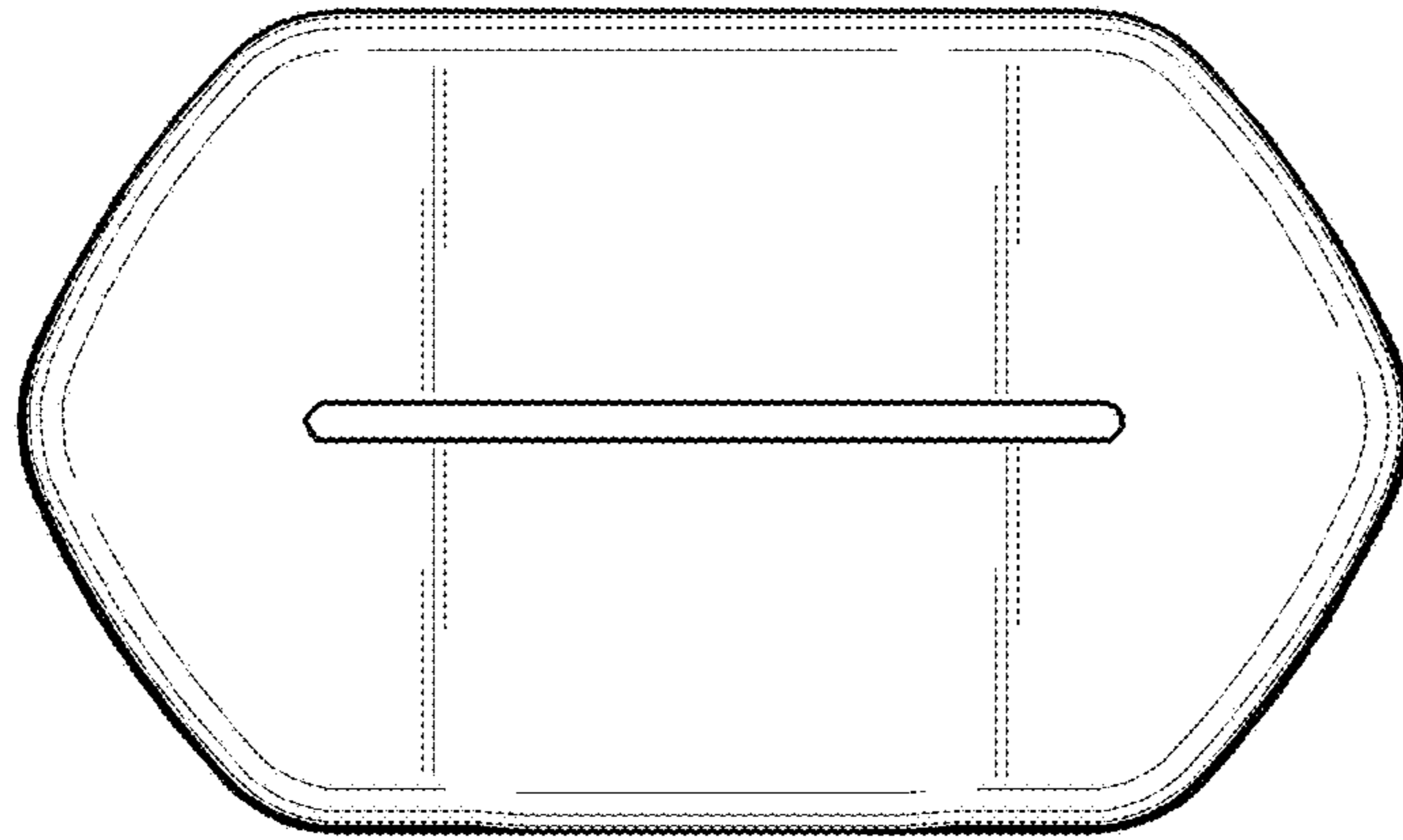


FIG. 1

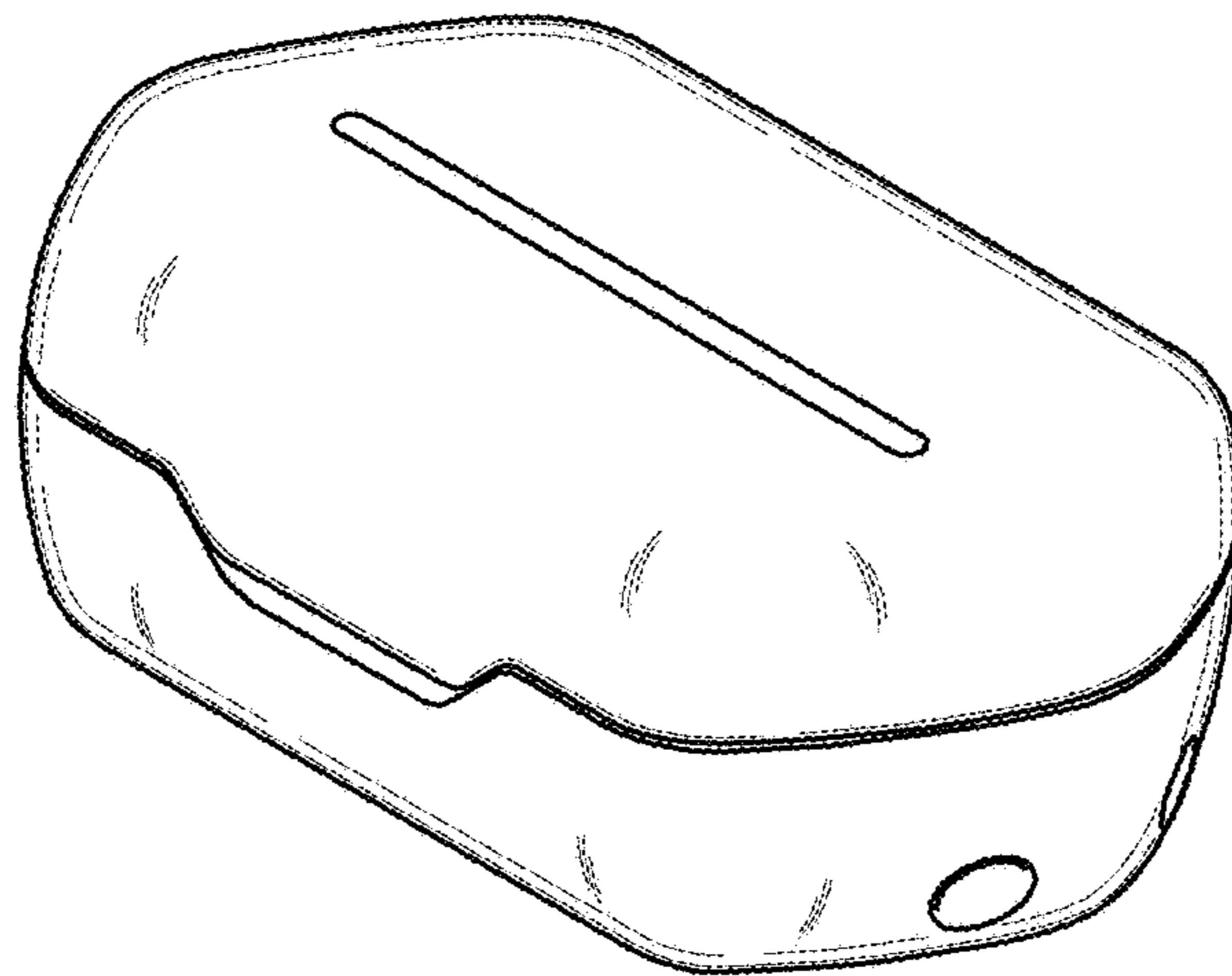


FIG. 2

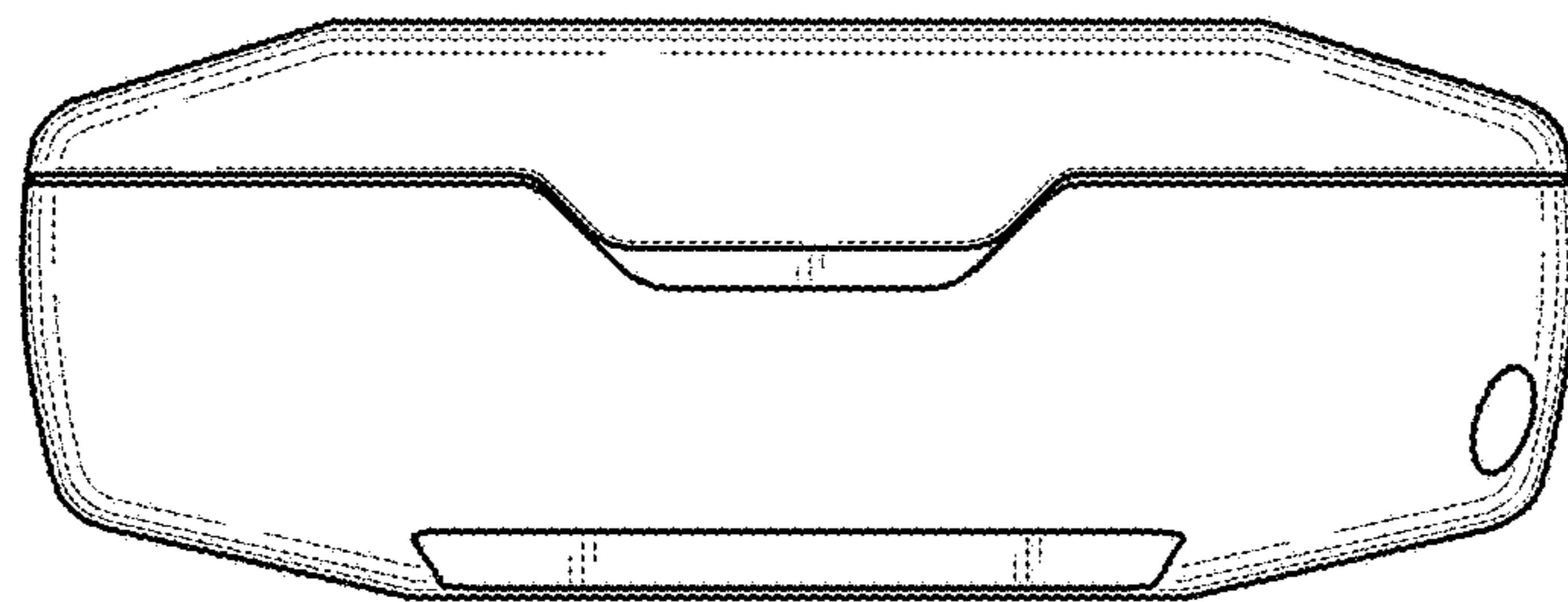


FIG. 3

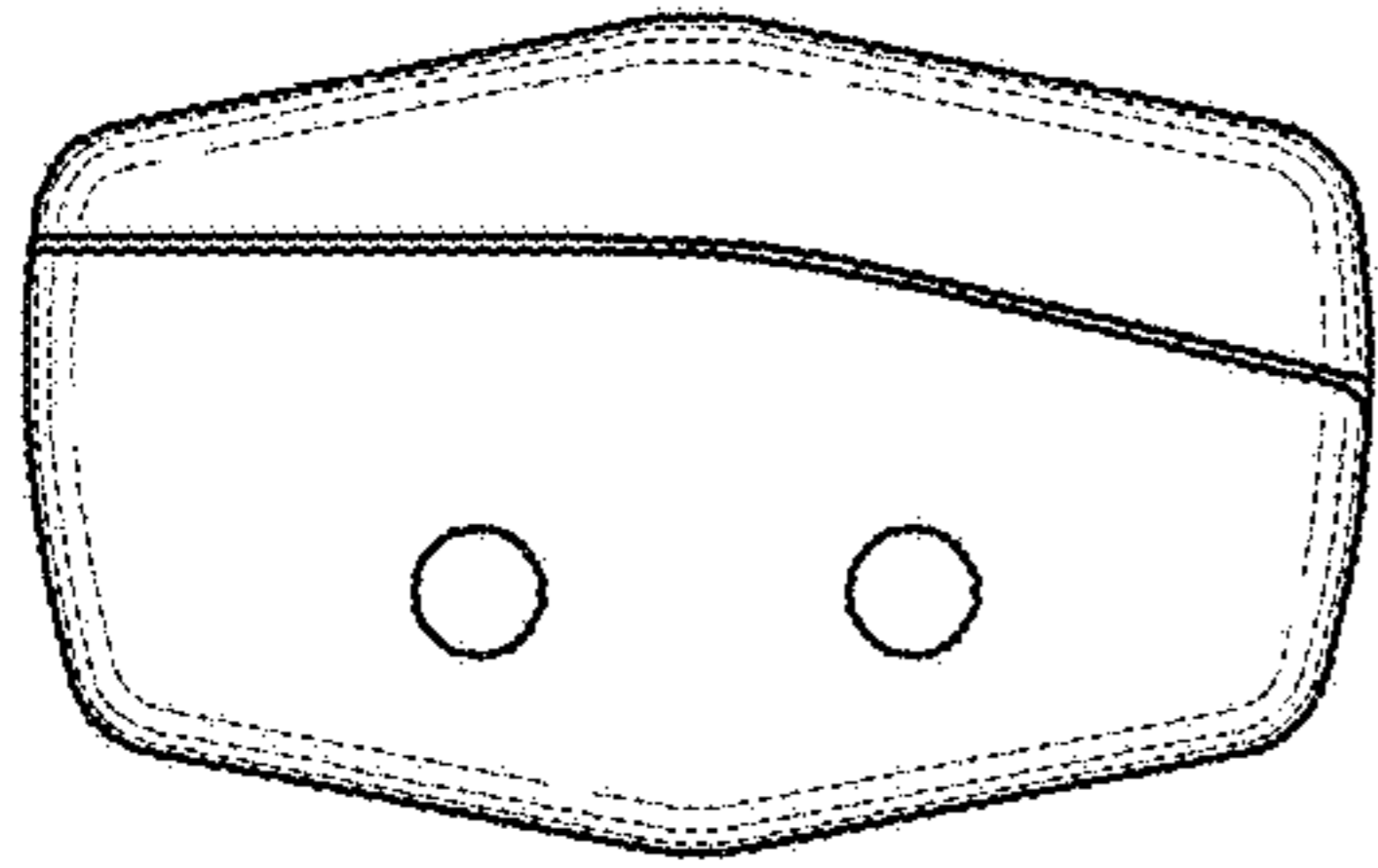


FIG. 4

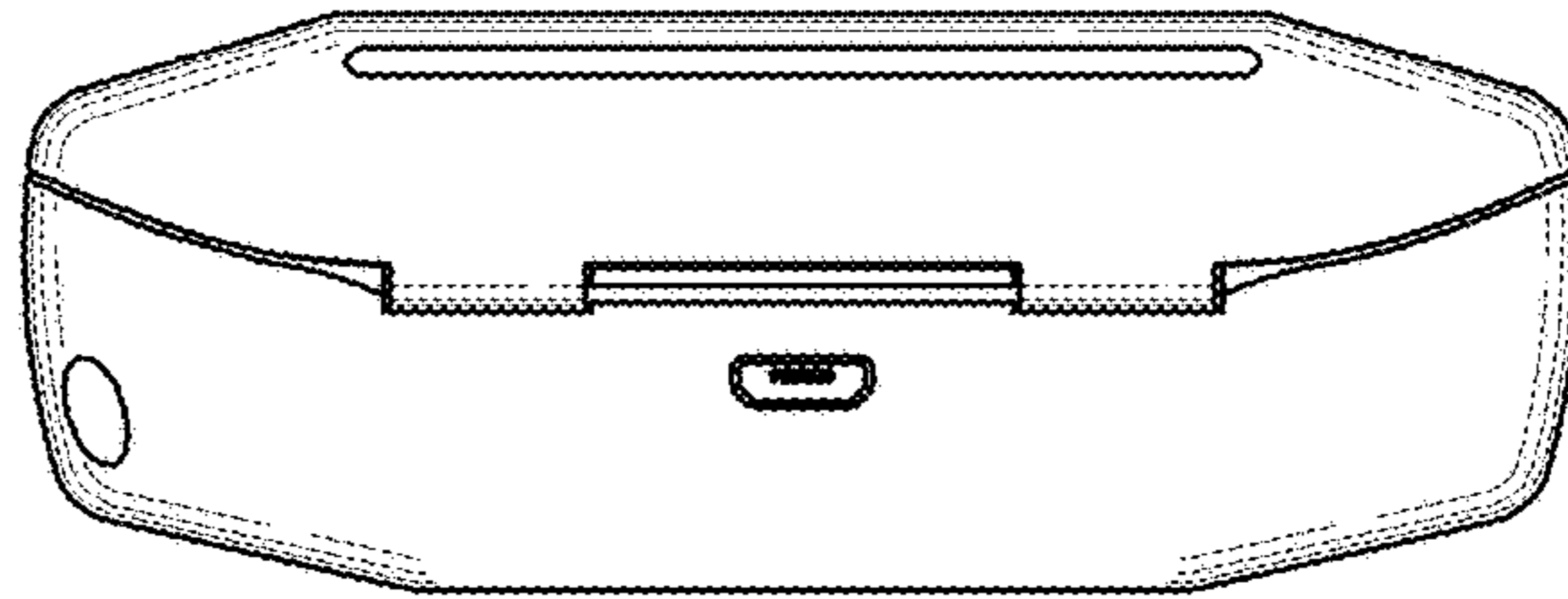


FIG. 5

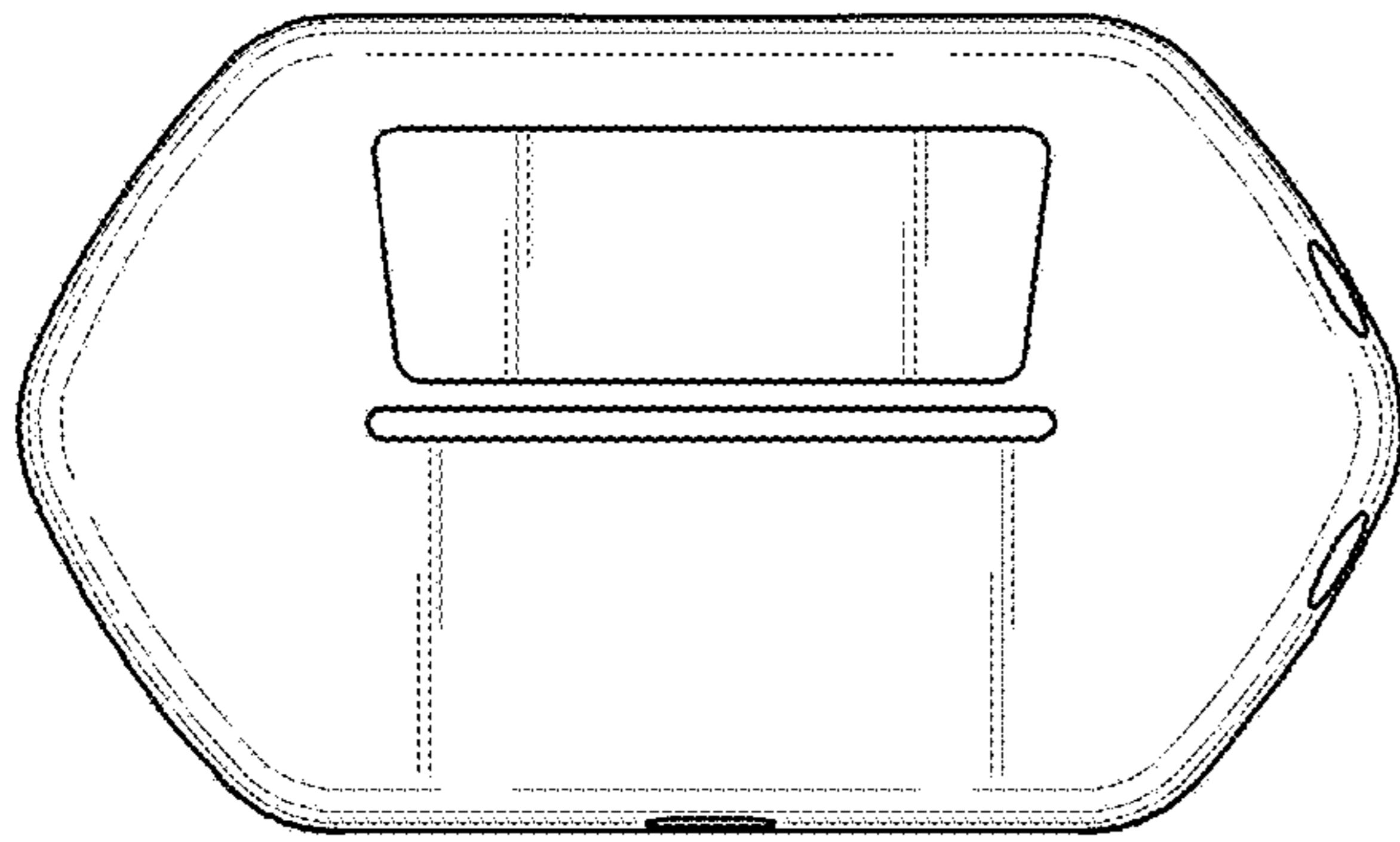


FIG. 6

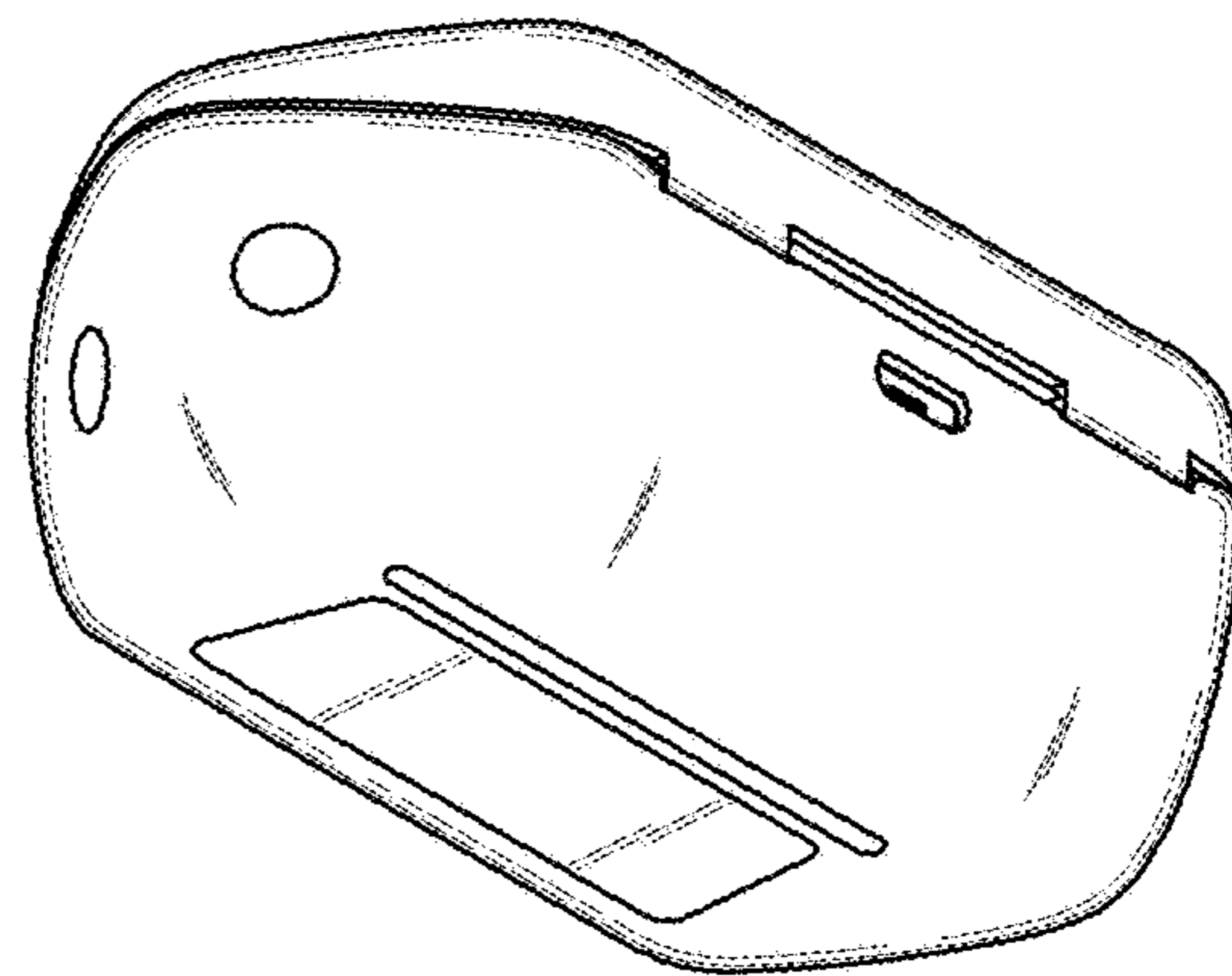


FIG. 7

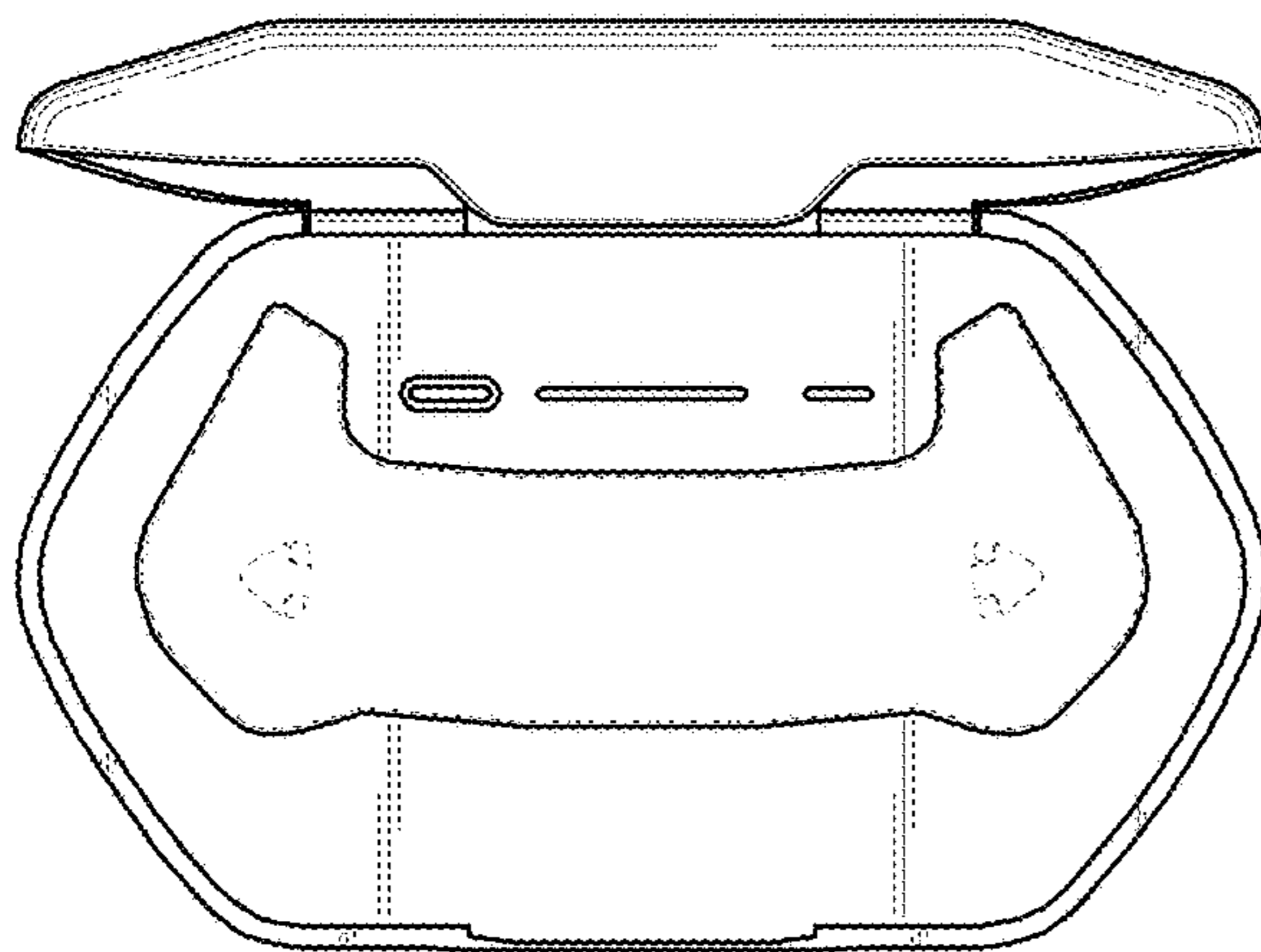


FIG. 8

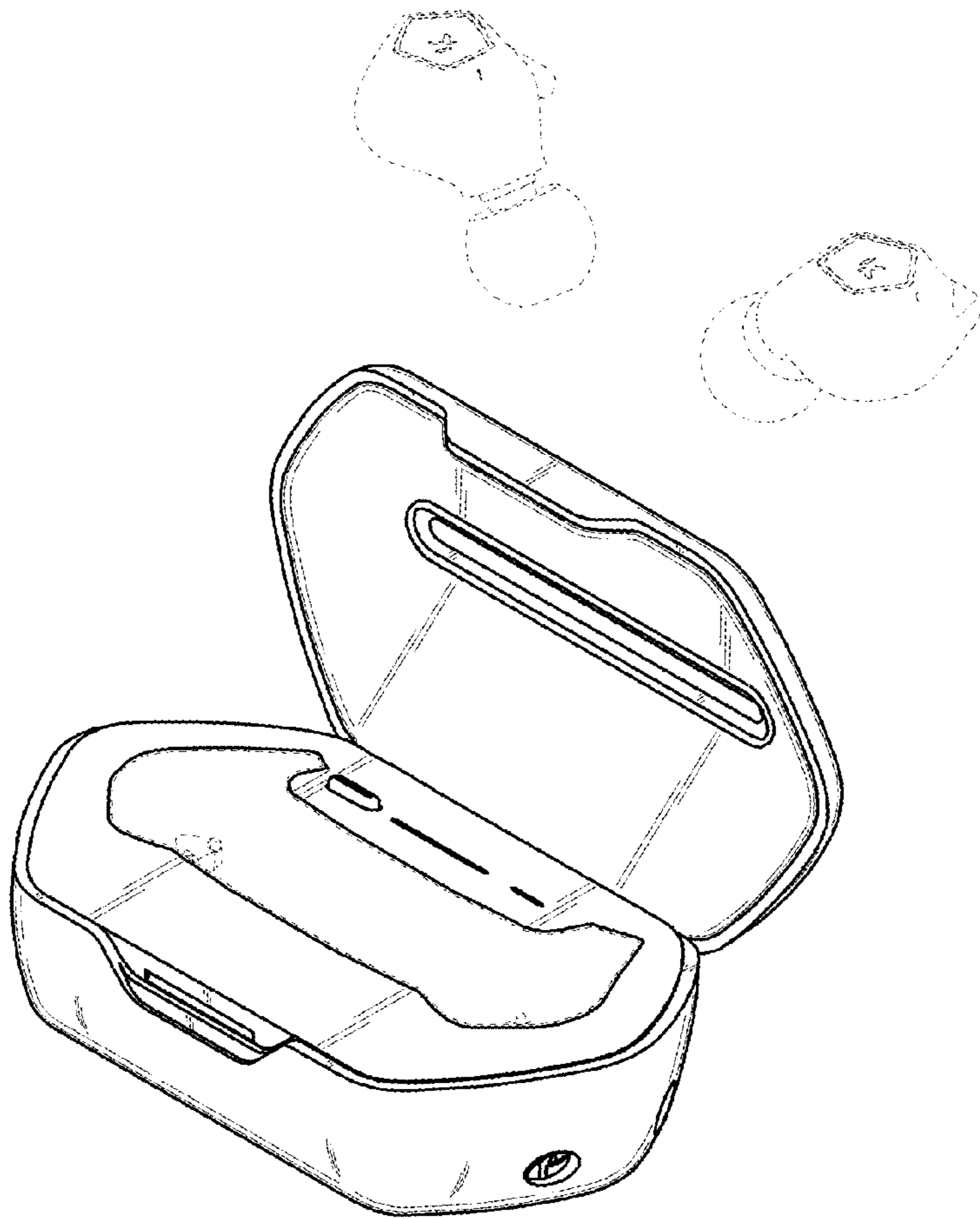


FIG. 9

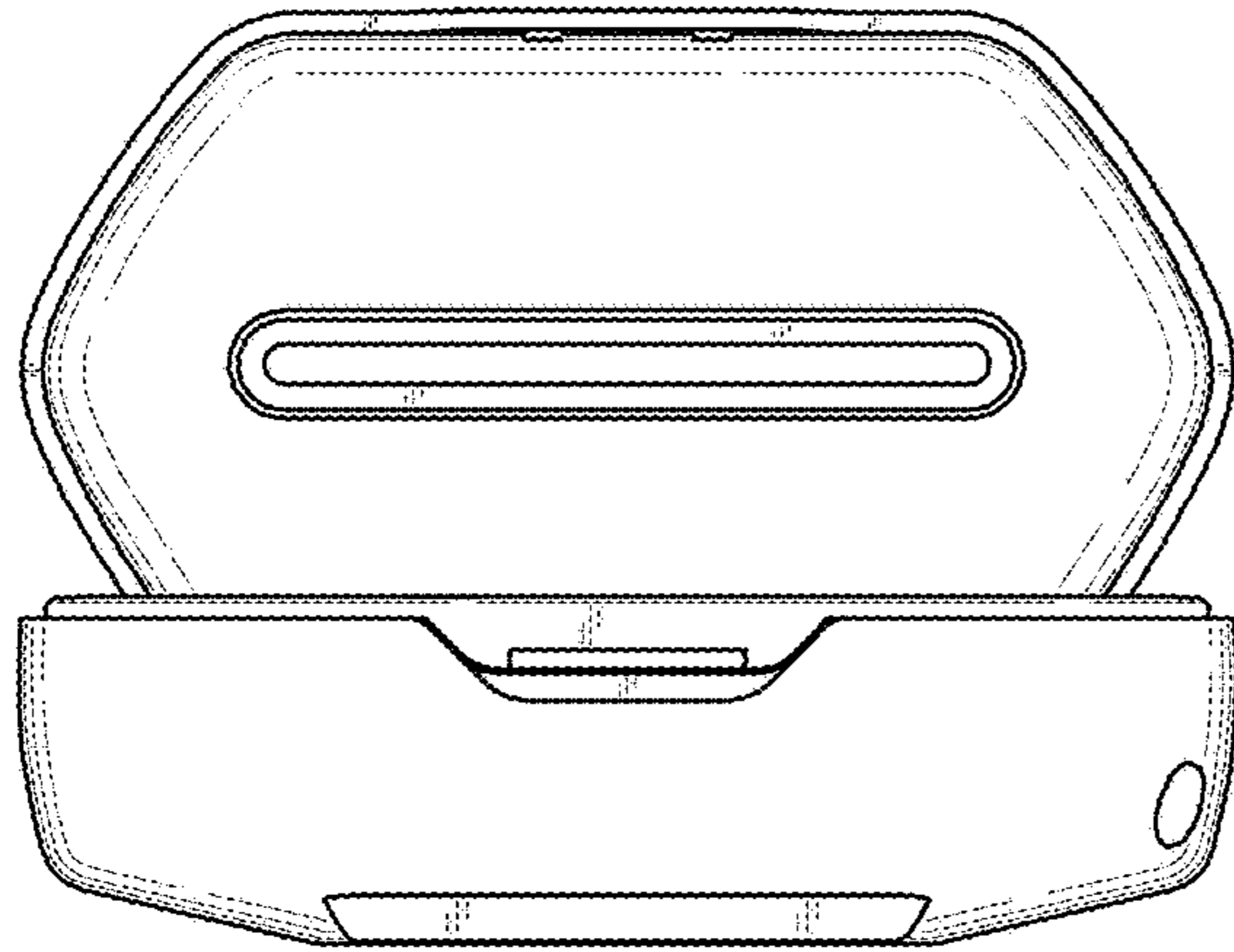


FIG. 10

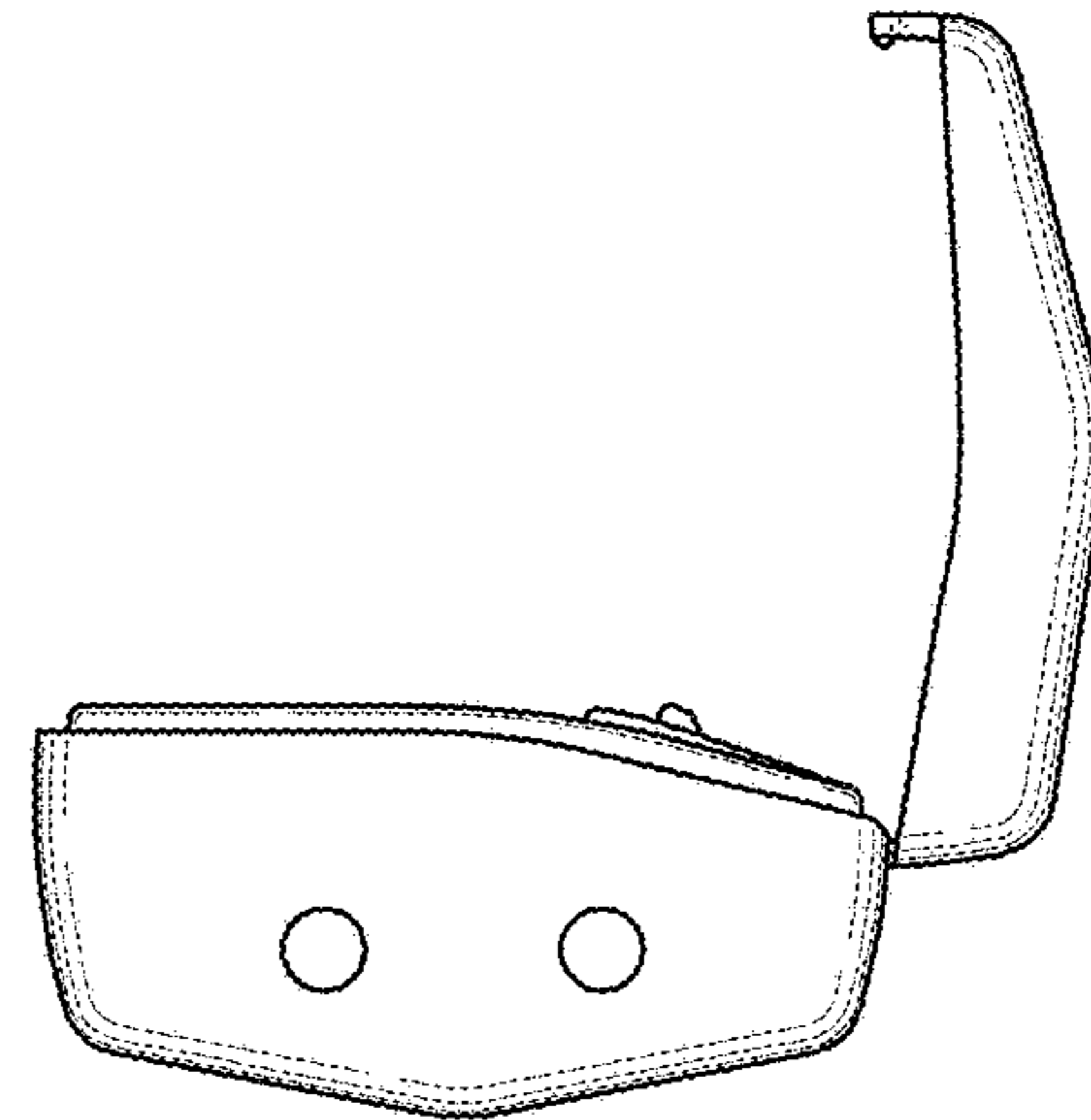


FIG. 11

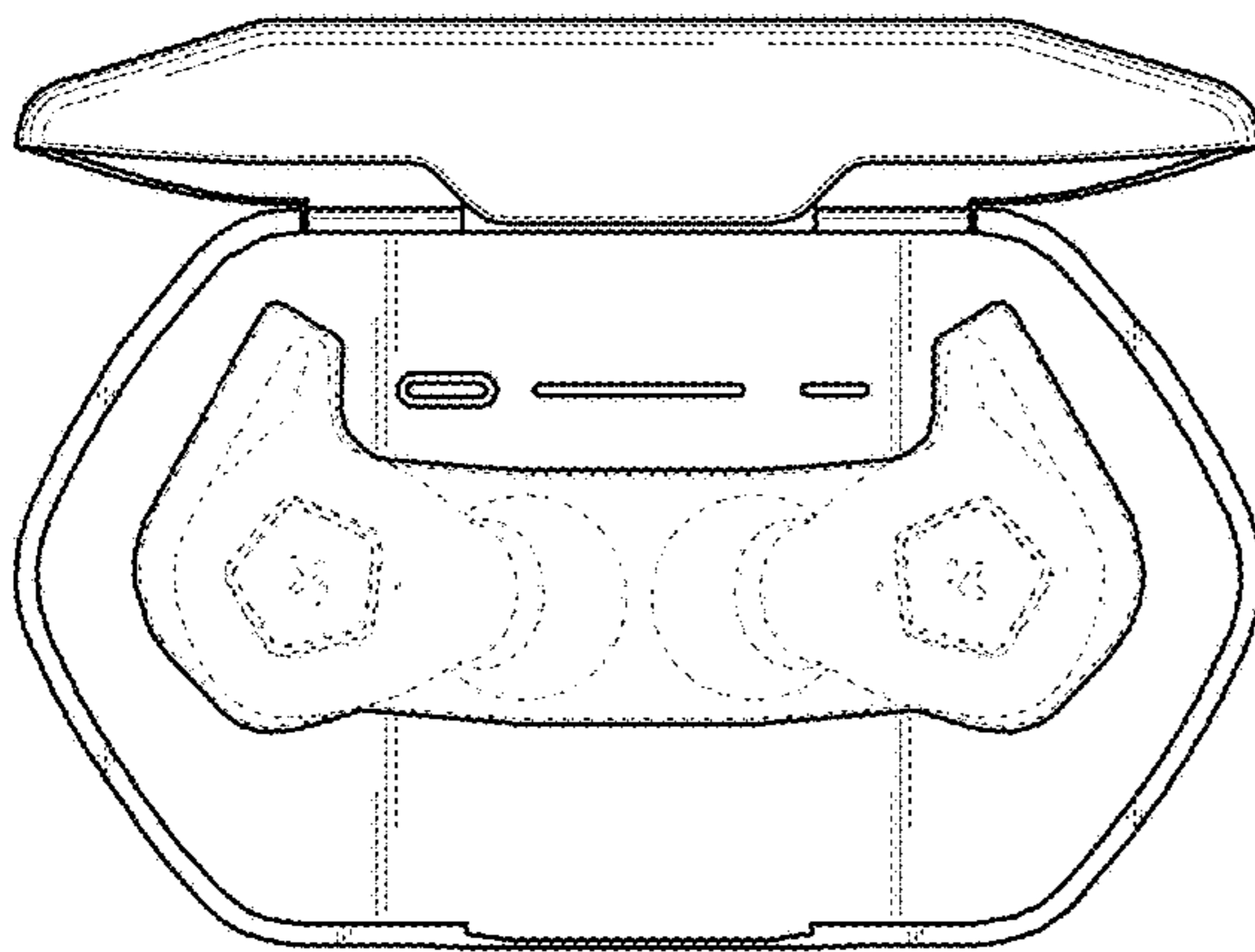


FIG. 12

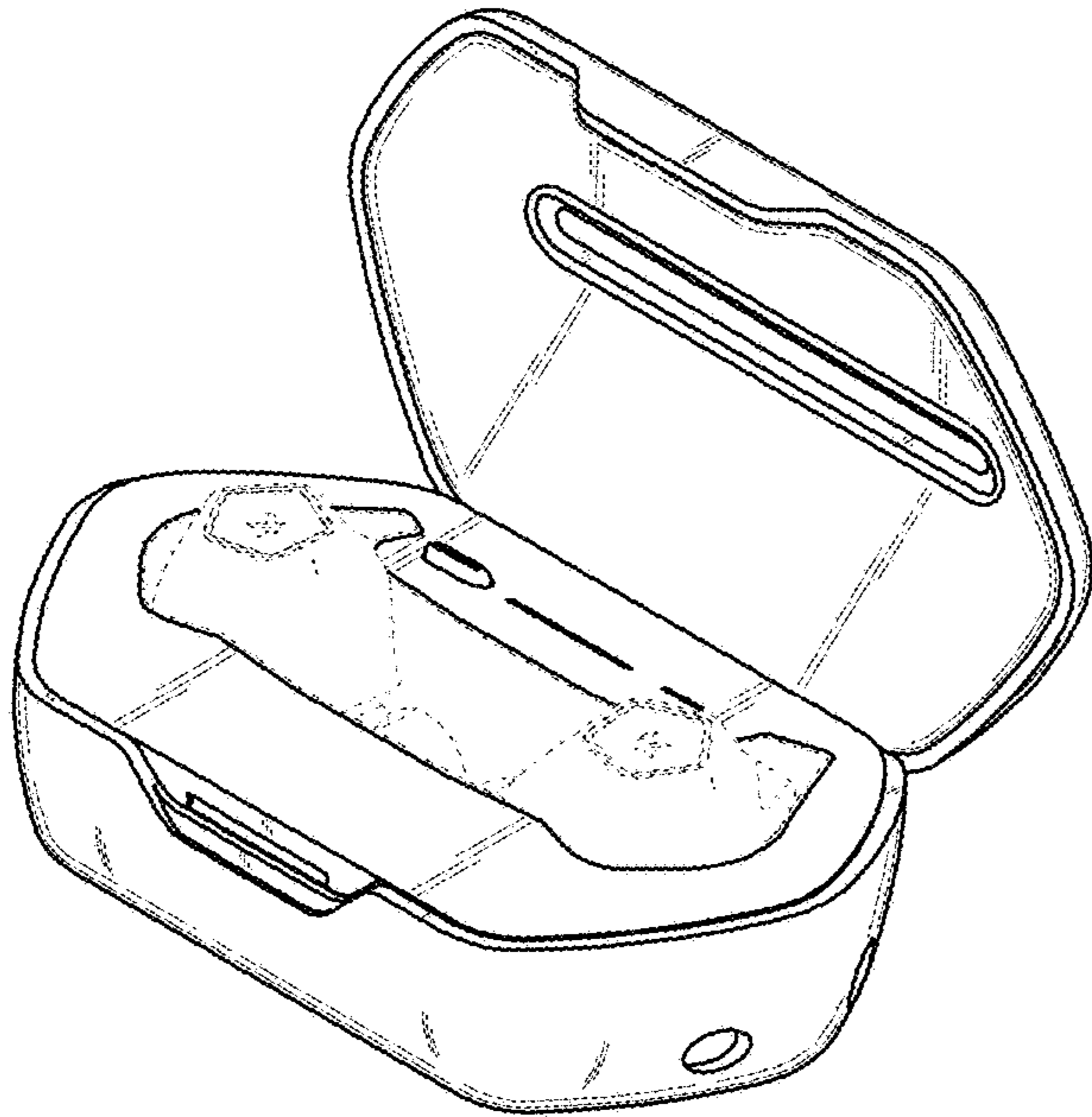


FIG. 13

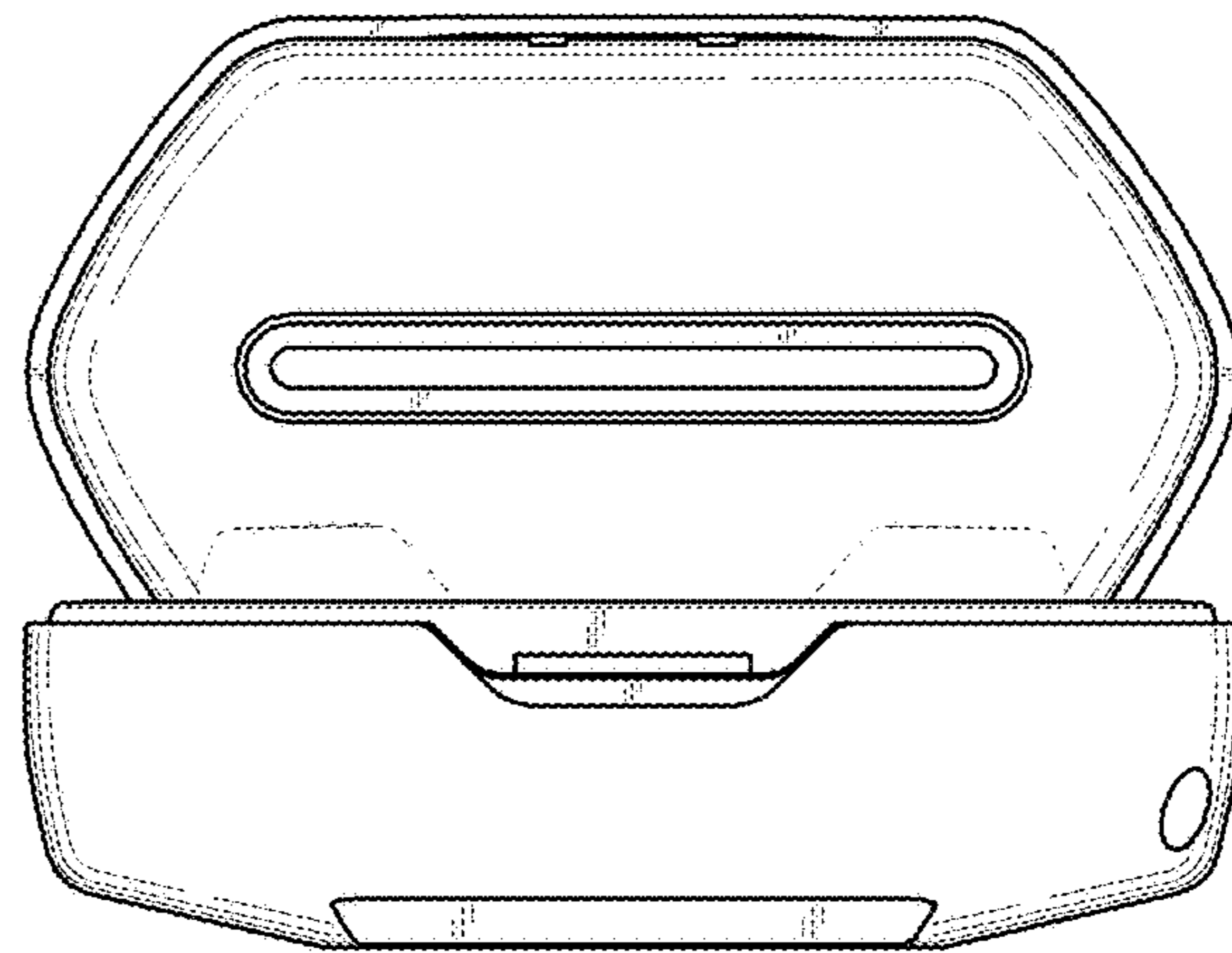


FIG. 14

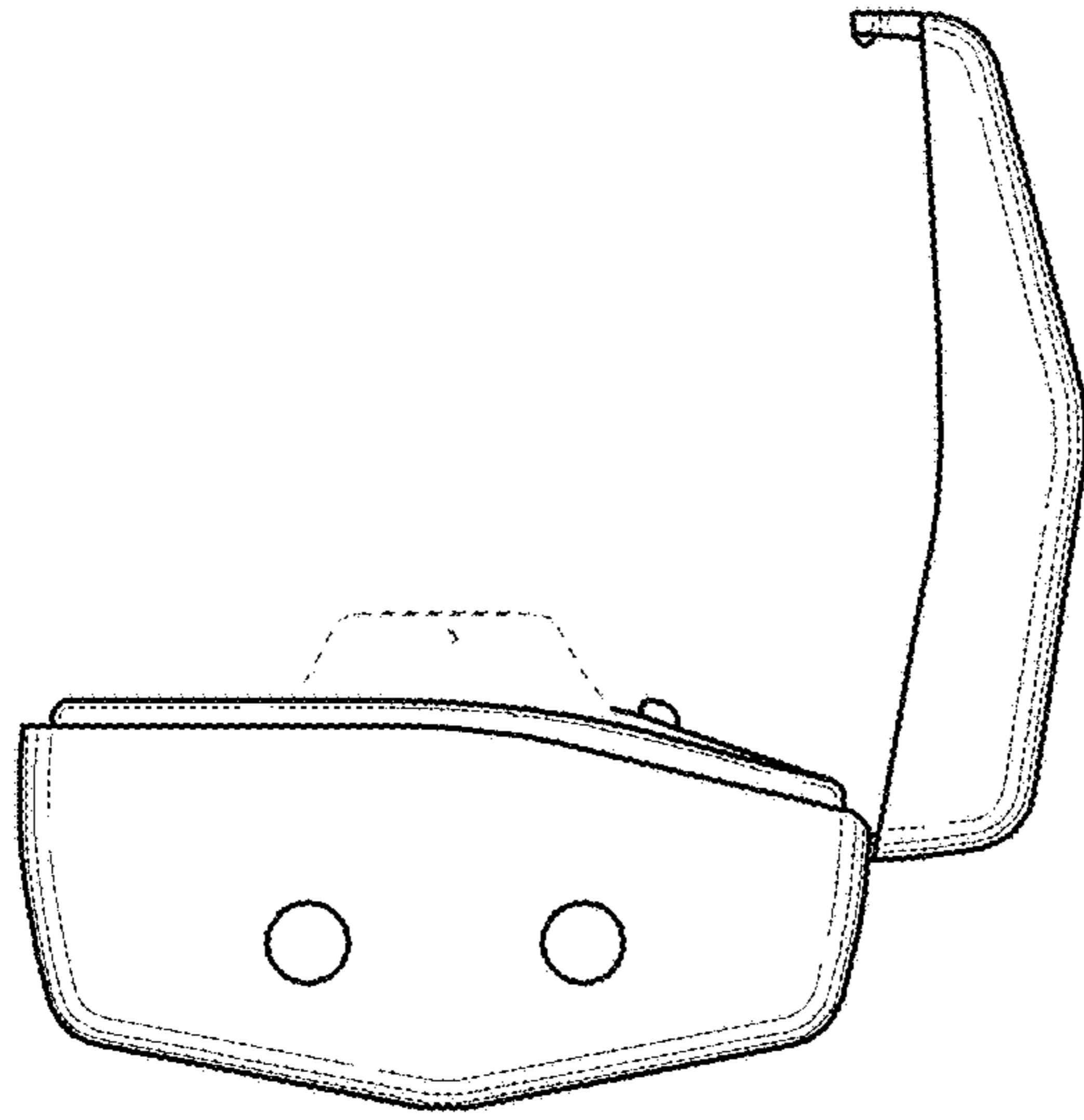


FIG. 15