



US00D853114S

(12) **United States Design Patent**
Connor et al.

(10) **Patent No.:** **US D853,114 S**

(45) **Date of Patent:** **** Jul. 9, 2019**

- (54) **DOCUMENT PROTECTION BIN**
- (71) Applicant: **JAKE'S HOLDING CORPORATION**, Kitchener (CA)
- (72) Inventors: **Patrick Connor**, Kitchener (CA); **Gayle Nummelin**, Kitchener (CA); **Gerry Veitch**, Waterloo (CA); **Abram Fehr**, Kitchener (CA); **Shawn Bontaine**, Baden (CA)
- (73) Assignee: **Jake's Holding Corporation**, Kitchener, Ontario (CA)
- (**) Term: **15 Years**
- (21) Appl. No.: **29/626,124**
- (22) Filed: **Nov. 15, 2017**
- (51) **LOC (11) Cl.** **03-01**
- (52) **U.S. Cl.**
USPC **D3/279; D34/5**
- (58) **Field of Classification Search**
USPC D34/1, 7, 5, 6; D3/279, 273
CPC .. B65F 1/14; B65F 1/1473; B65F 1/16; B65F 1/006; B65F 1/1452; B65F 2220/12; B62B 1/00; B62B 5/04; B25H 3/00; B25H 3/02; A45C 5/00; A45C 5/03; A45C 5/04; A45C 5/08; A45C 2011/007; A45C 11/00
See application file for complete search history.

(56) **References Cited**

U.S. PATENT DOCUMENTS

- D292,638 S * 11/1987 Carville D34/5
- D385,720 S * 11/1997 Dickinson D3/279
- D461,635 S * 8/2002 Sharples A45C 5/06
D3/279

- D554,860 S * 11/2007 Udall D3/279
- D594,169 S 6/2009 Connor et al.
- D609,911 S * 2/2010 Twig D3/279
- D641,121 S * 7/2011 Rampton B65F 1/122
D34/1
- D707,905 S * 6/2014 Nolet B62B 1/00
D34/5
- D707,907 S * 6/2014 Nolet B65F 1/1615
D34/5
- 9,371,181 B2 6/2016 Connor et al.
- D815,919 S * 4/2018 DeFrancia D7/605
- 9,975,694 B1 * 5/2018 Foster B65F 1/1473
- D840,126 S * 2/2019 Miller B65F 1/1615
D34/5
- D844,325 S * 4/2019 Nelson D3/279
- 2010/0230427 A1 * 9/2010 Parker B65F 1/122
220/756
- 2013/0119625 A1 * 5/2013 Foster B62B 1/00
280/43
- 2018/0319589 A1 * 11/2018 Foster B65F 1/1615

* cited by examiner

Primary Examiner — Cynthia Ramirez

(74) *Attorney, Agent, or Firm* — Bereskin & Parr LLP

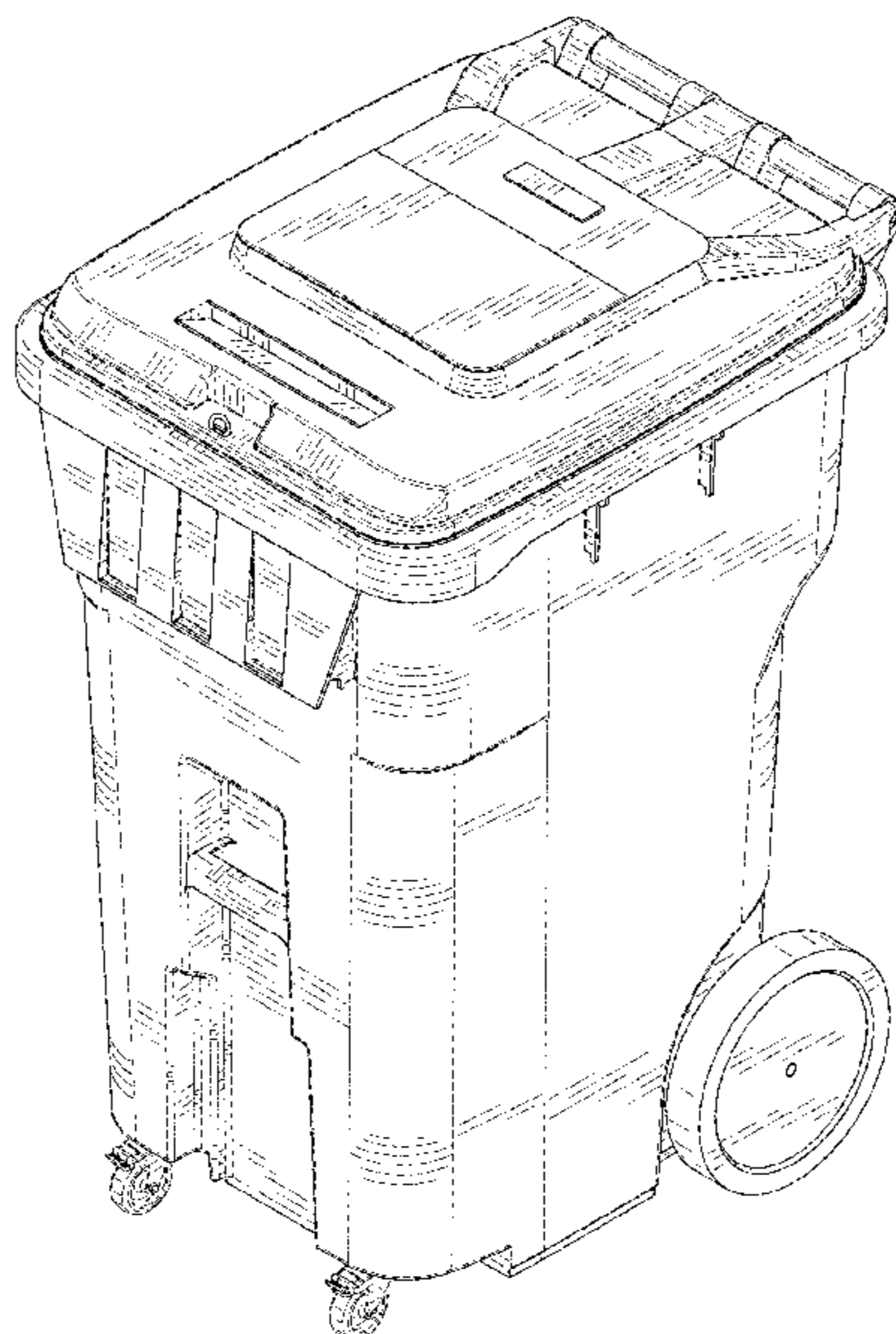
(57) **CLAIM**

The ornamental design for a document protection bin, as shown and described.

DESCRIPTION

FIG. 1 is a tip perspective view of a document protection bin showing our new design;
 FIG. 2 is a bottom perspective view thereof;
 FIG. 3 is a left side elevational view thereof;
 FIG. 4 is a front elevational view thereof;
 FIG. 5 is a rear elevational view thereof;
 FIG. 6 is a right side elevational view thereof;
 FIG. 7 is a top plan view thereof; and,
 FIG. 8 is a bottom plan view thereof.

1 Claim, 4 Drawing Sheets



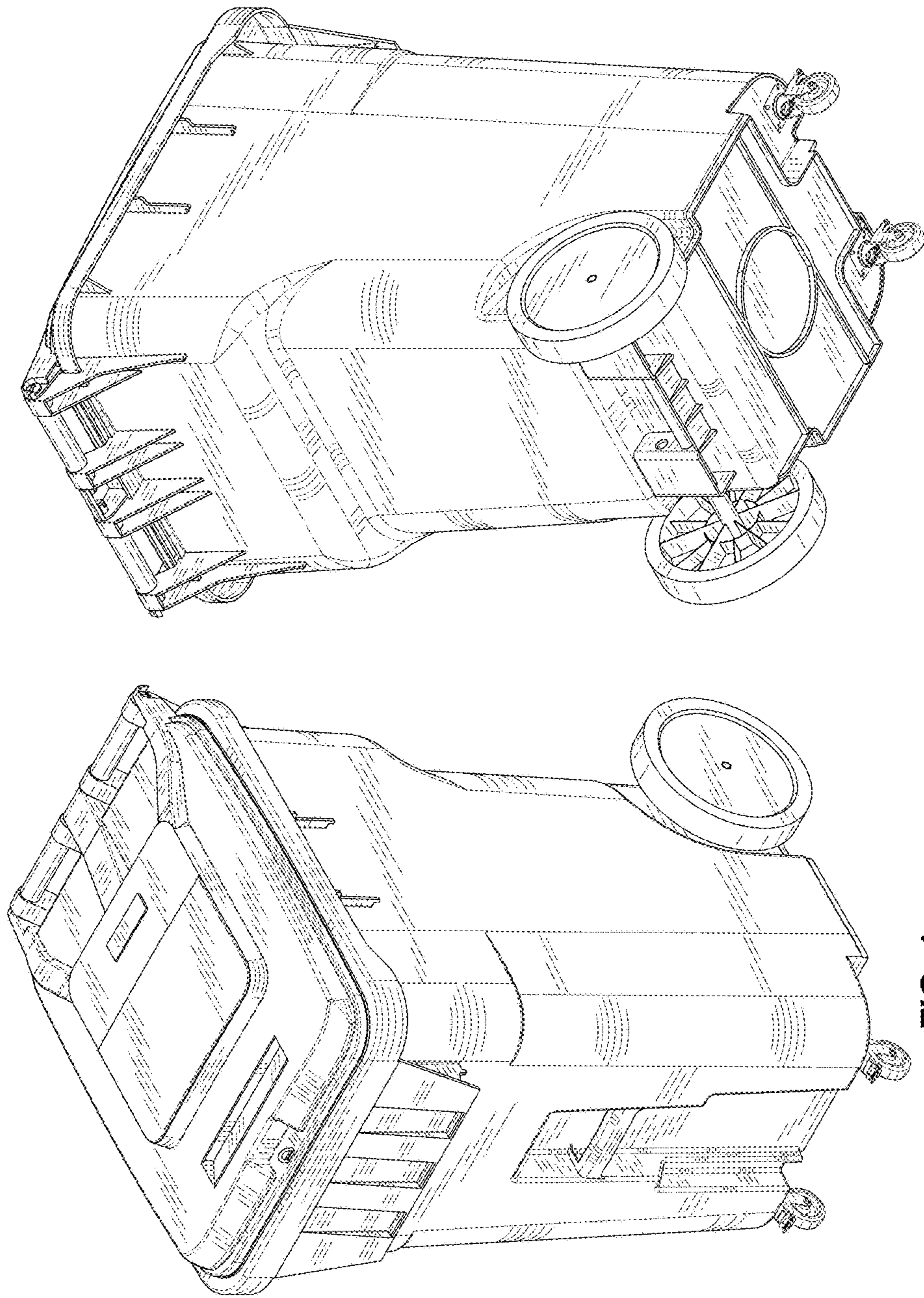


FIG. 2

FIG. 1

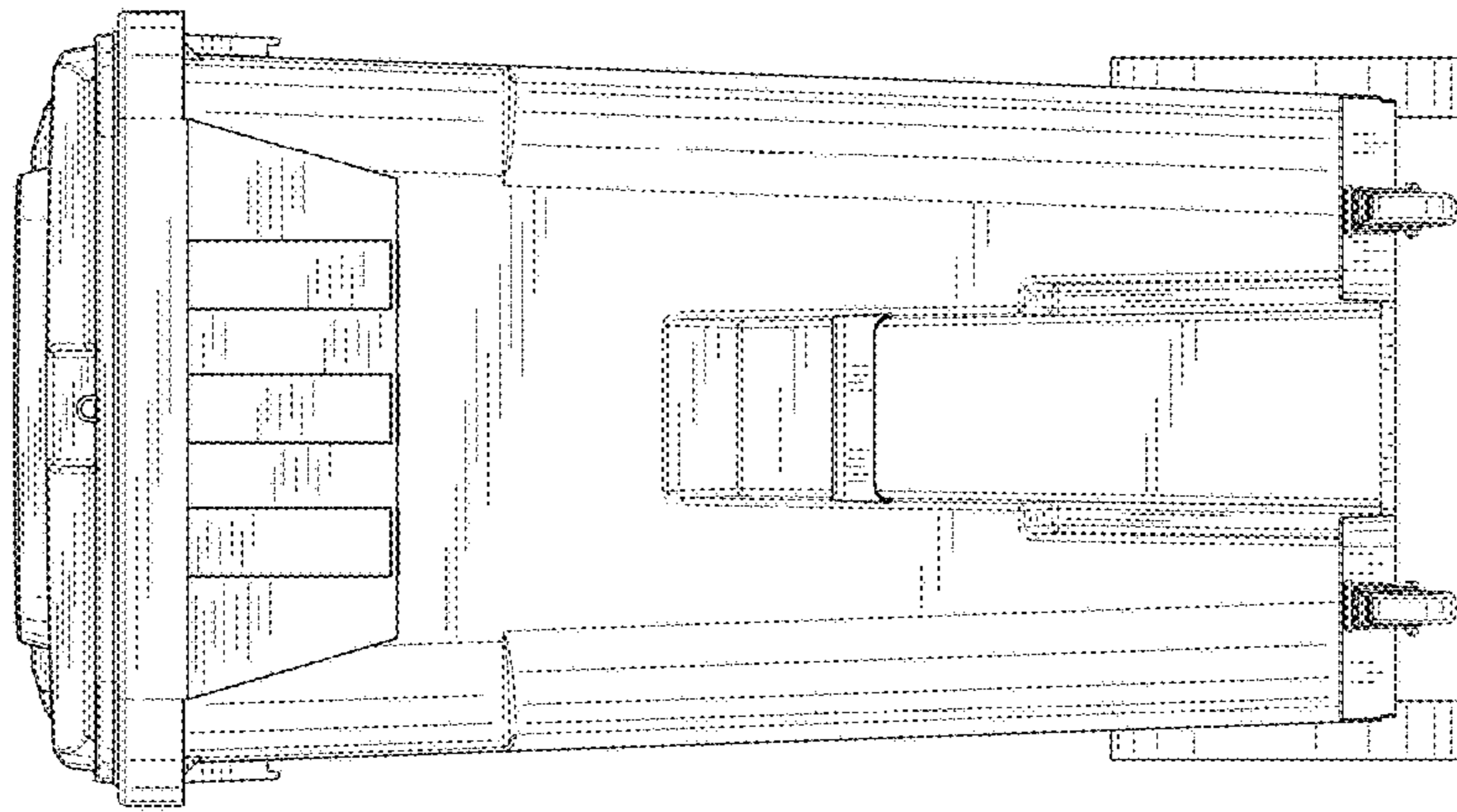


FIG. 4

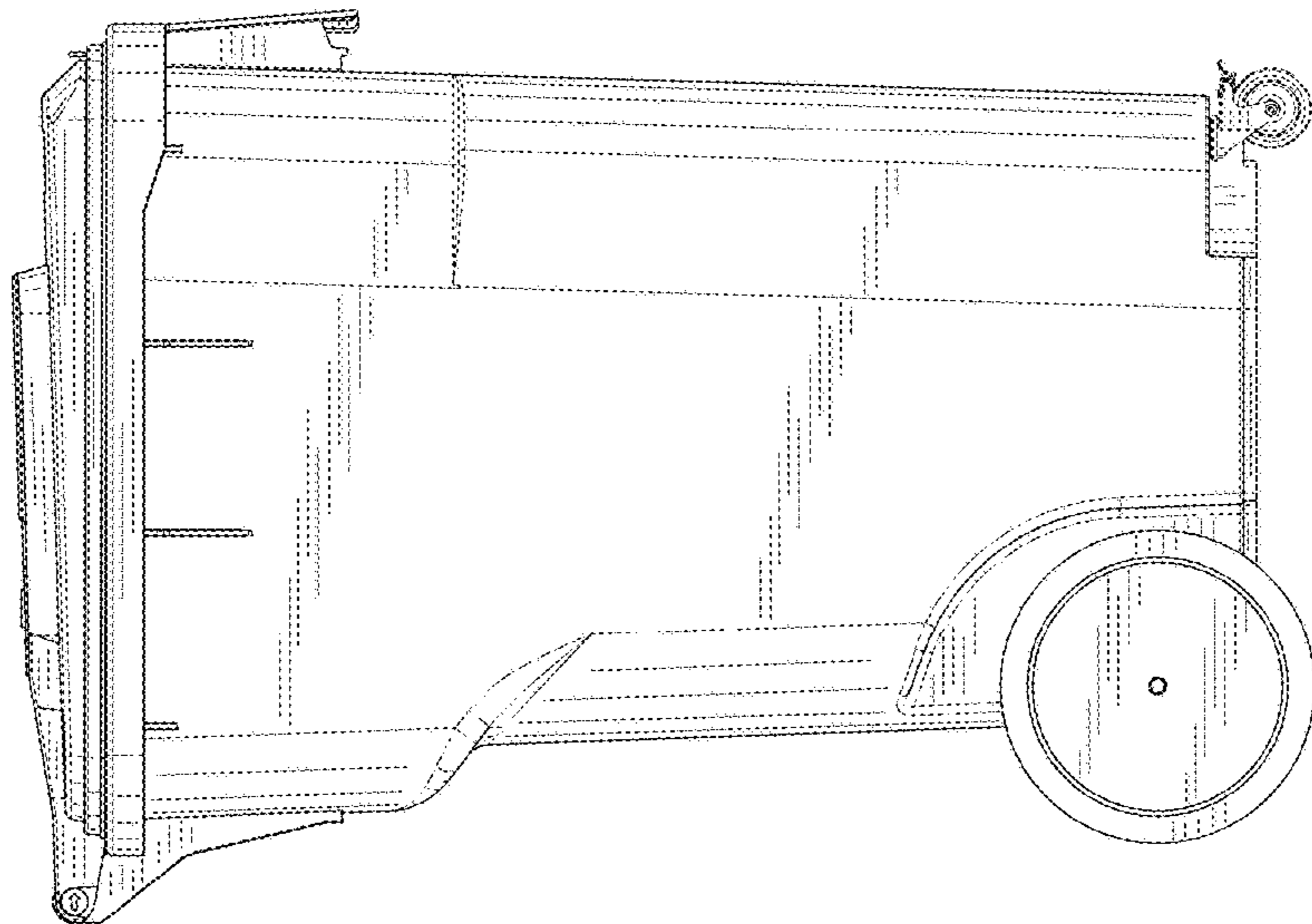


FIG. 3

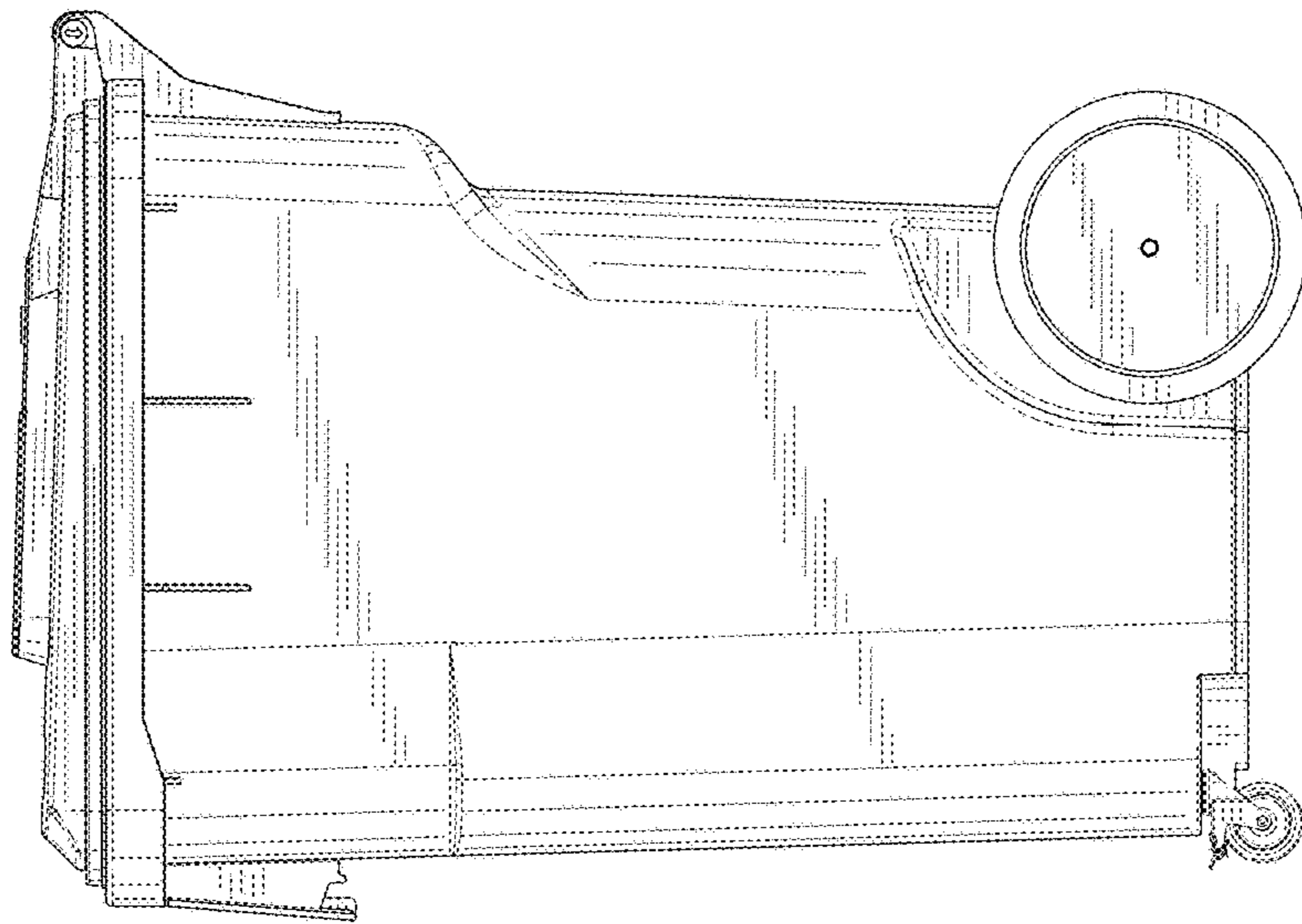


FIG. 6

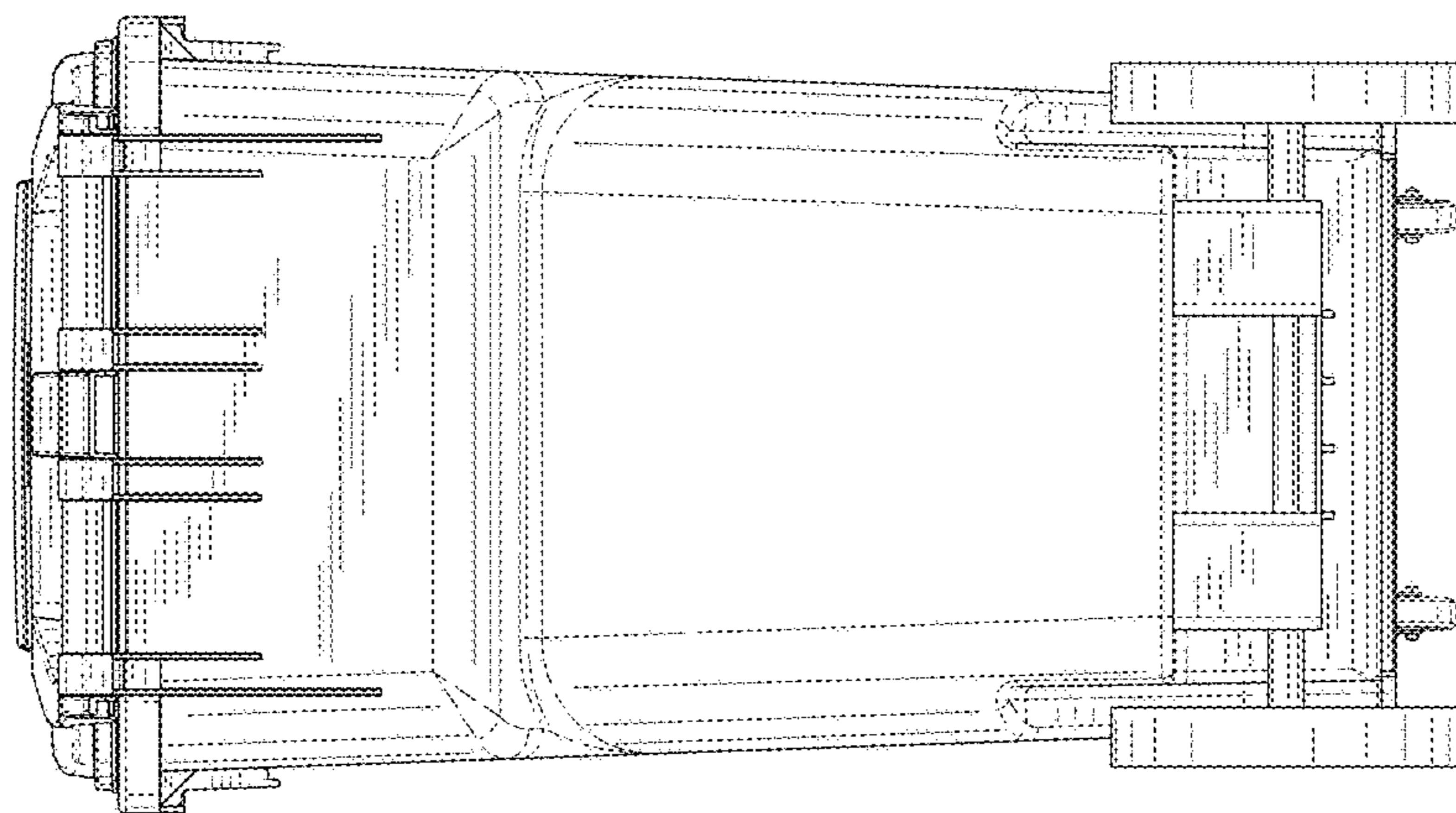


FIG. 5

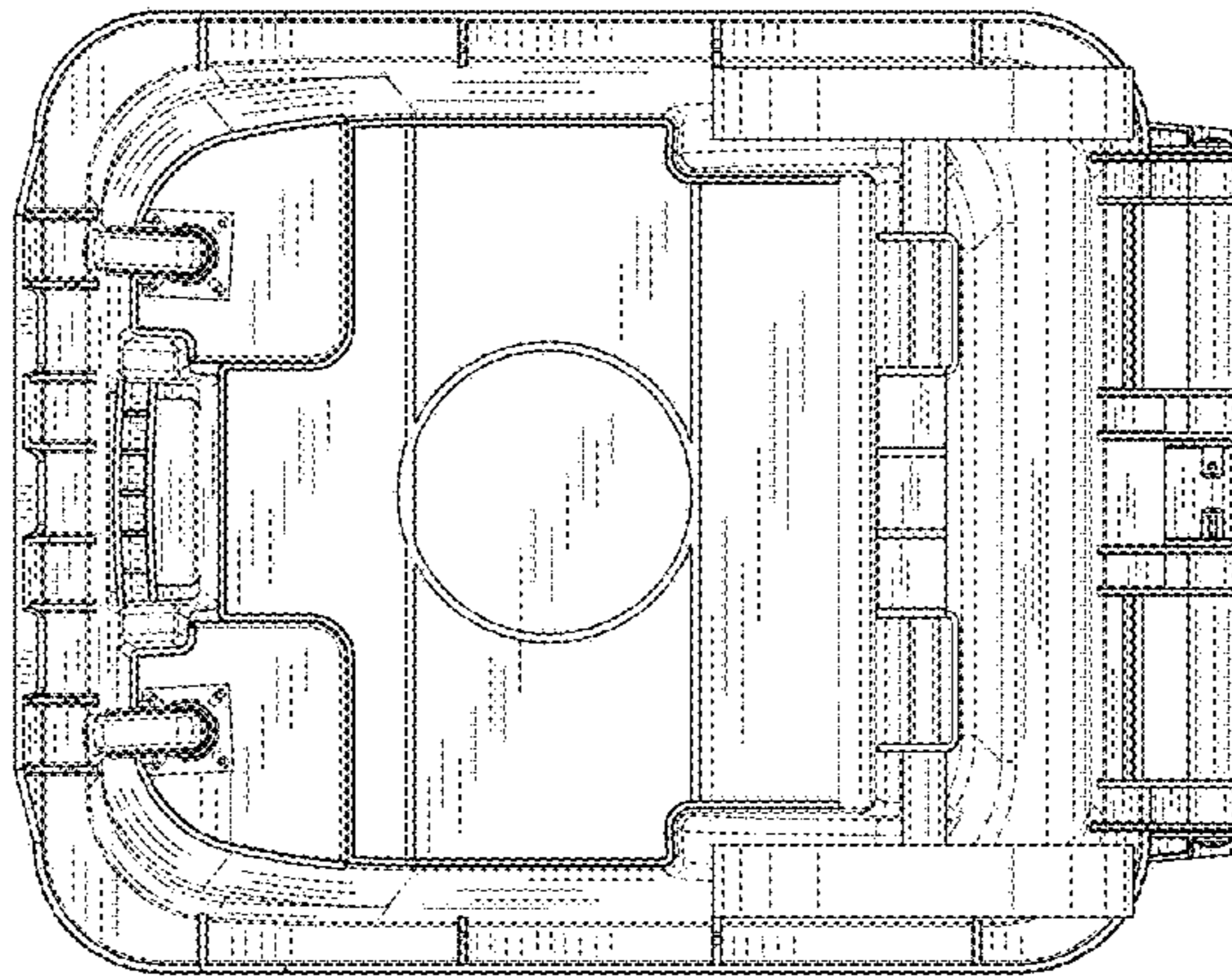


FIG. 7

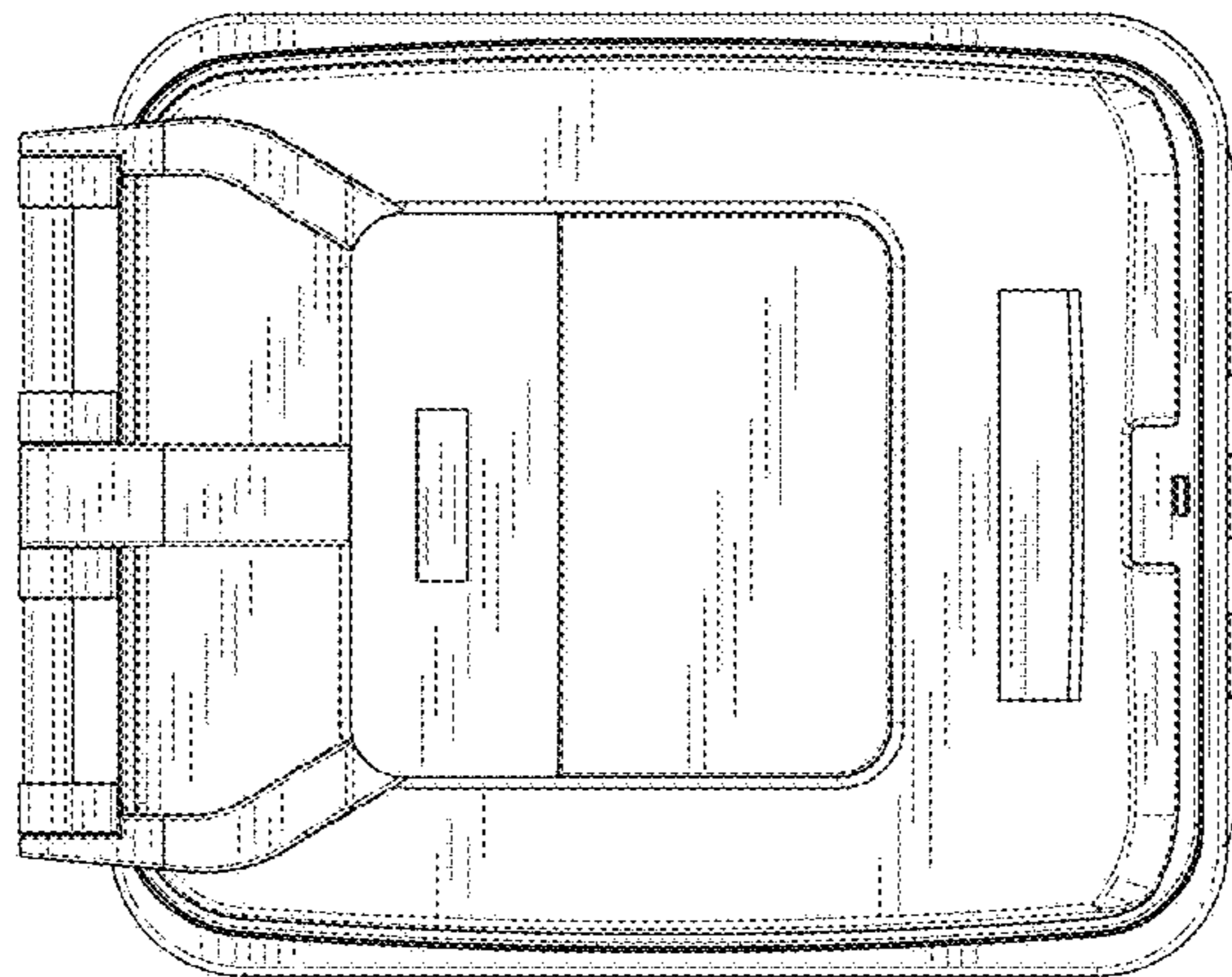


FIG. 8