



US00D853113S

(12) **United States Design Patent** (10) **Patent No.:** **US D853,113 S**
Wang (45) **Date of Patent:** **** Jul. 9, 2019**

(54) **SUITCASE**
(71) Applicant: **AUTEL ROBOTICS CO., LTD.**,
Shenzhen (CN)
(72) Inventor: **Yongshuai Wang**, Shenzhen (CN)
(73) Assignee: **AUTEL ROBOTICS CO., LTD.**,
Shenzhen, Guangdong (CN)

D424,296 S * 5/2000 David D3/273
D496,160 S * 9/2004 Roster D3/273
D506,065 S * 6/2005 Sugino D13/103
D566,484 S * 4/2008 George D3/294
D807,639 S * 1/2018 Peng D3/281
D817,640 S * 5/2018 Dang D3/294
D839,586 S * 2/2019 Li D3/205
D839,587 S * 2/2019 Beilman D3/205

(**) Term: **15 Years**
(21) Appl. No.: **29/646,332**
(22) Filed: **May 3, 2018**

(30) **Foreign Application Priority Data**

Dec. 6, 2017 (CN) 2017 3 0616390

(51) **LOC (11) Cl.** **03-01**
(52) **U.S. Cl.**
USPC **D3/276; D3/900**

(58) **Field of Classification Search**
USPC D3/205, 245, 273, 274, 285, 287, 291,
D3/294, 296, 901, 900, 903
CPC A45C 1/02; A45C 2003/008; A45C 3/02;
A45C 5/005; A45C 2011/007; A45C
13/008; A45D 29/20; A45D 33/008
See application file for complete search history.

(56) **References Cited**

U.S. PATENT DOCUMENTS

D177,591 S * 5/1956 Robonson D3/203.7
D203,022 S * 11/1965 Mayer D3/275
D211,311 S * 6/1968 Christen D3/282
D343,993 S * 2/1994 Derrickson D3/282
D397,869 S * 9/1998 Minhas D3/274
D418,296 S * 1/2000 Kobayashi D3/276
D421,525 S * 3/2000 Lee D3/276

OTHER PUBLICATIONS

Gigazine, "DJI's latest drones "Phantom 4" came up and soon Photo Review", Posted Mar. 17, 2016. pp. 1-10 only. (http://gigazine.net/gsc_news/en/20160317-dji-phantom-4) (Year: 2016).*
Amazon, "Hermitshell Hard EVA Travel Case . . . ", First on Amazon May 18, 2017. (<https://www.amazon.com/dp/B0719L1N2G/>) (Year: 2017).*

* cited by examiner

Primary Examiner — Jennifer Rivard
Assistant Examiner — April Rivas
(74) *Attorney, Agent, or Firm* — Ladas & Parry LLP

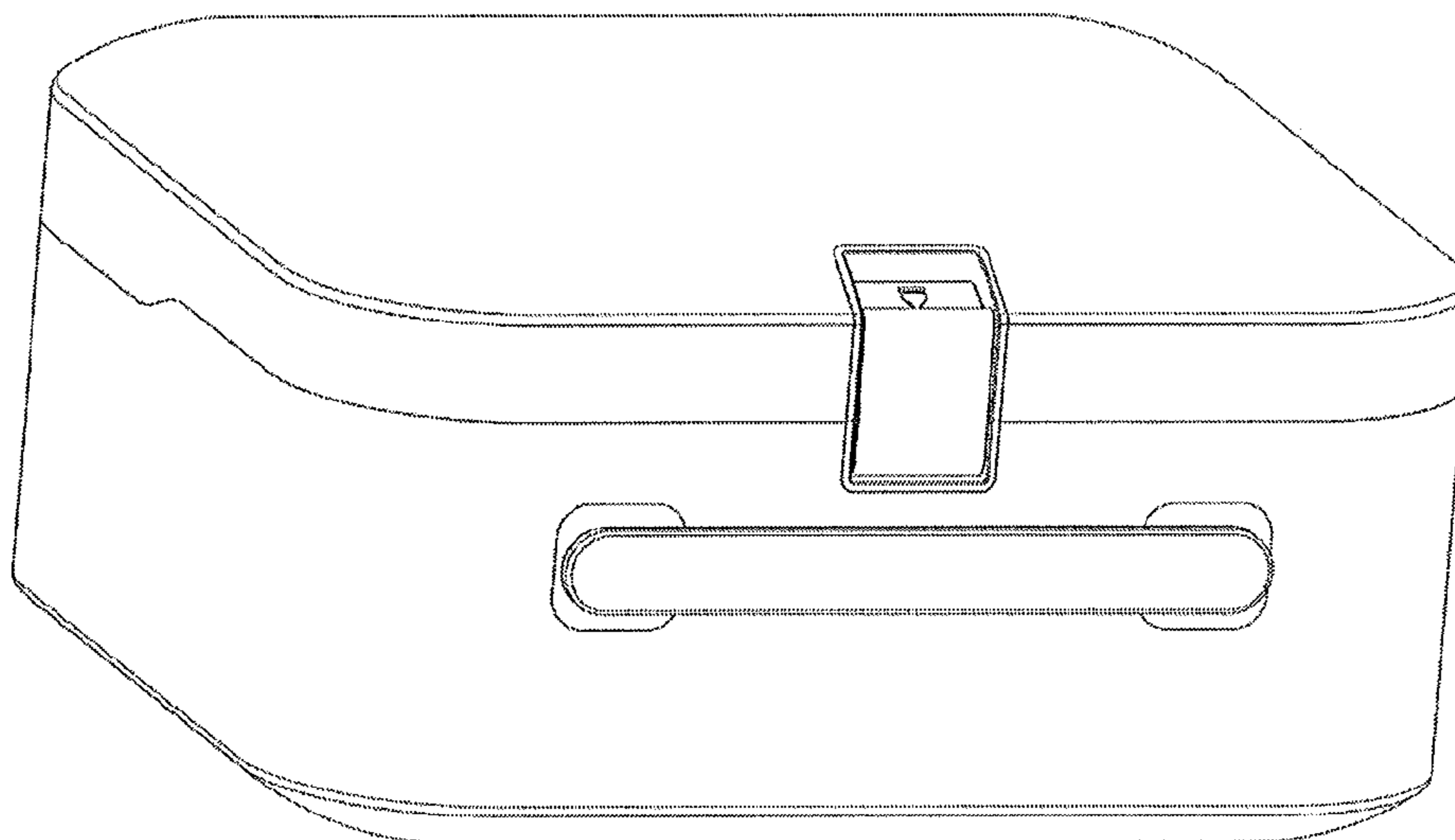
(57) **CLAIM**

The ornamental design for a suitcase, as shown and described.

DESCRIPTION

FIG. 1 is a perspective view of a suitcase showing our new design;
FIG. 2 is a front elevational view thereof;
FIG. 3 is a back elevational view thereof;
FIG. 4 is a left side elevational view thereof;
FIG. 5 is a right side elevational view thereof;
FIG. 6 is a top plan view thereof; and,
FIG. 7 is a bottom plan view thereof.

1 Claim, 4 Drawing Sheets



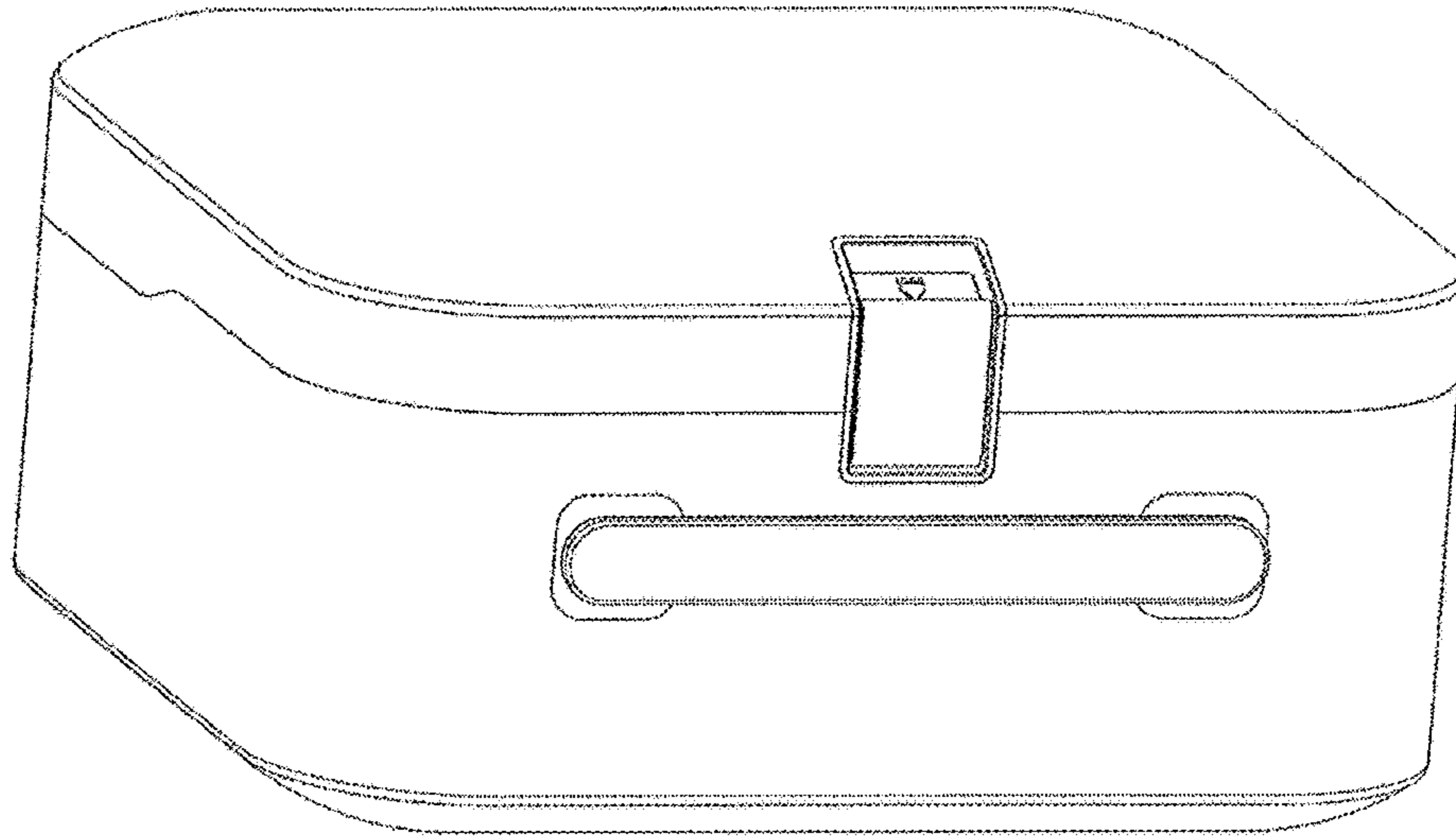


FIG.1

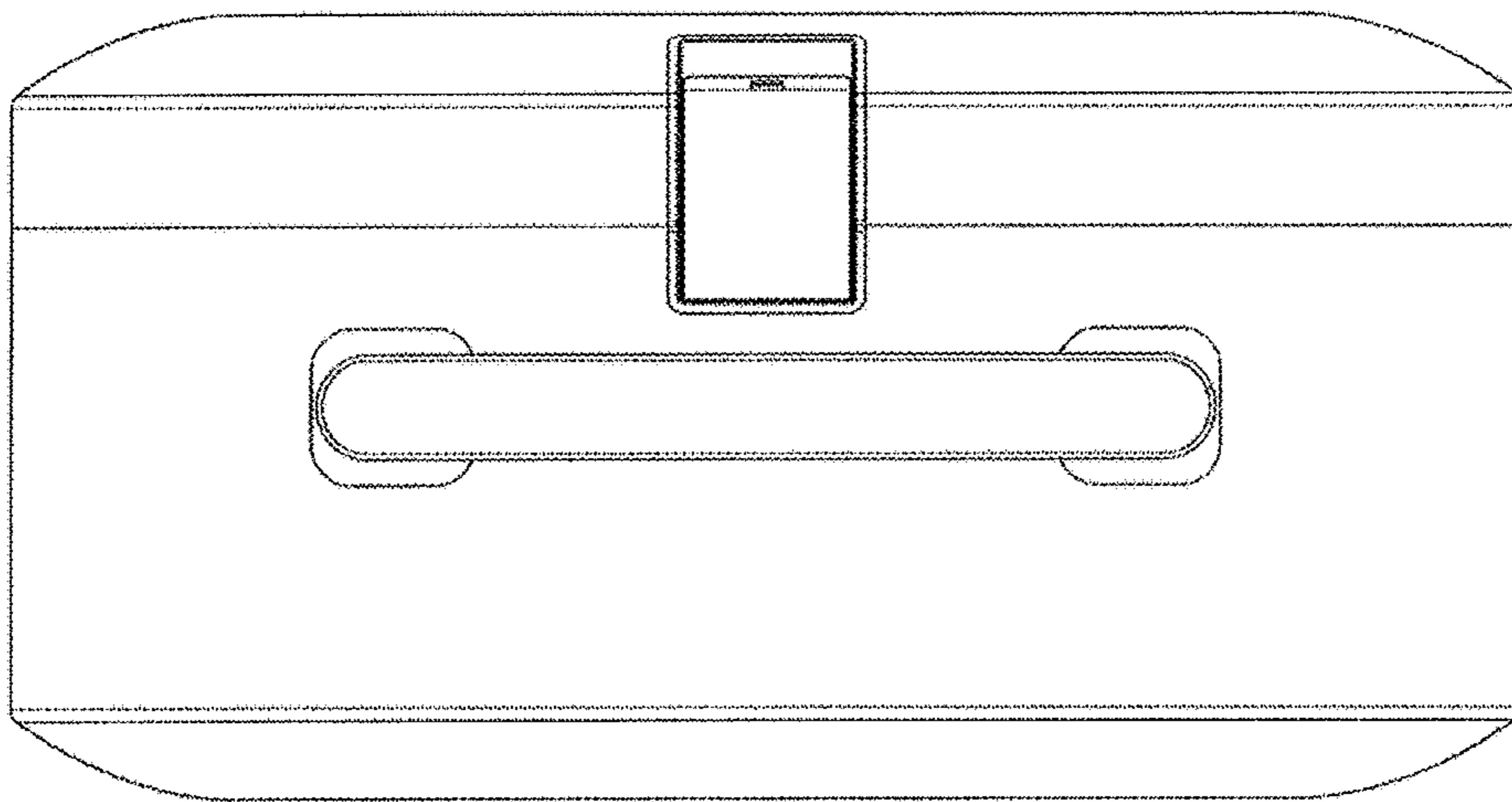


FIG.2

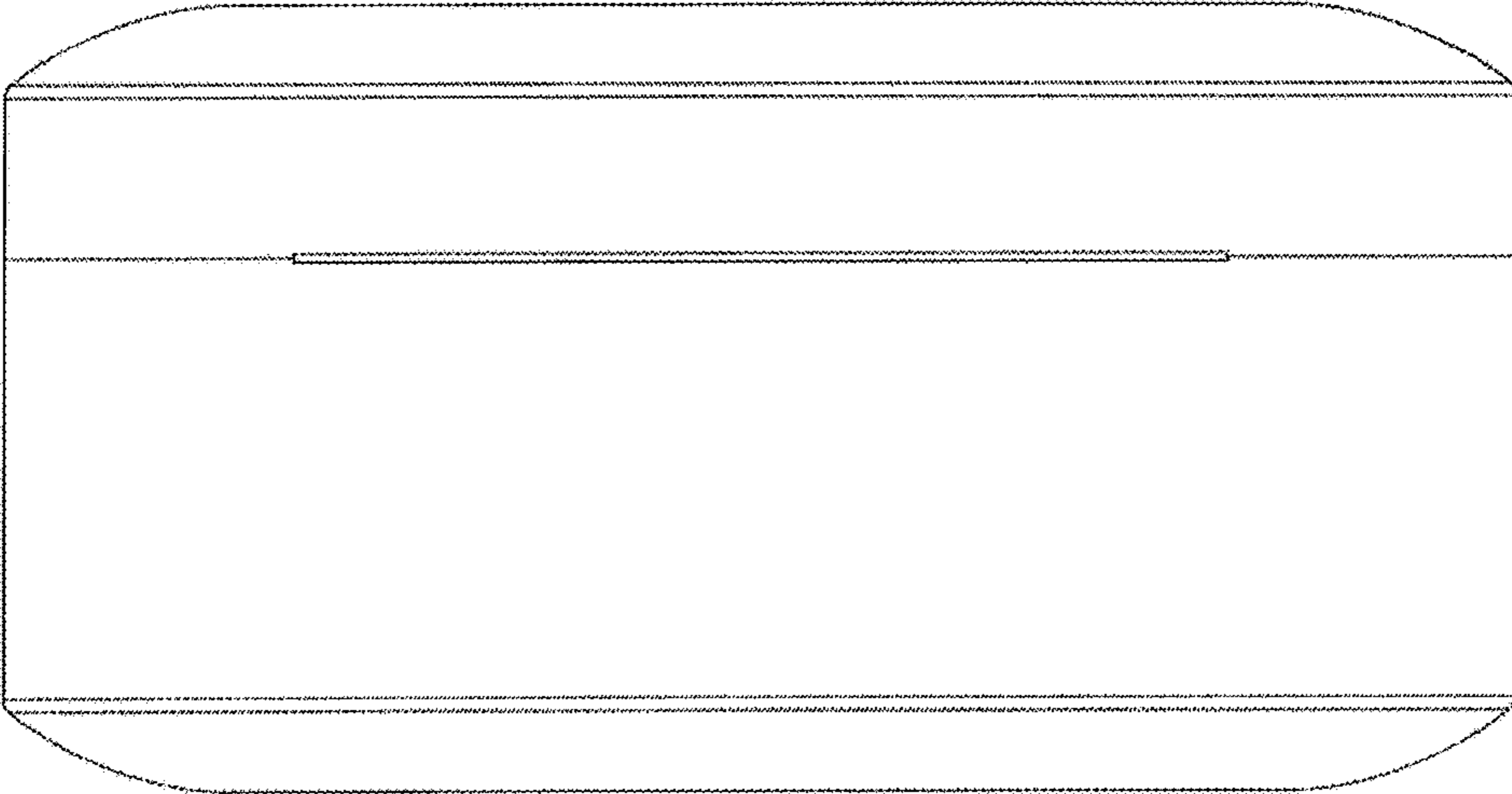


FIG.3

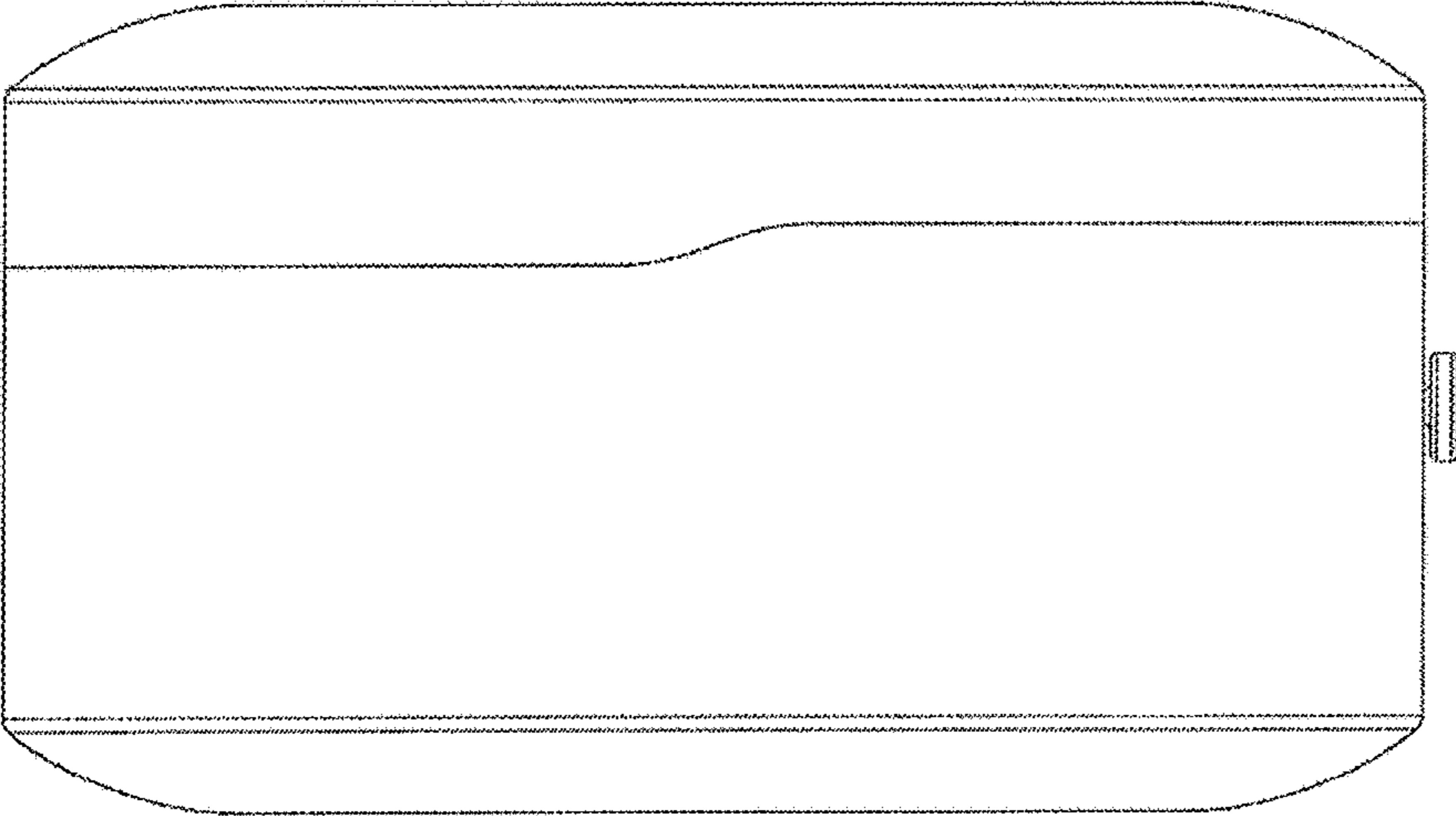


FIG.4

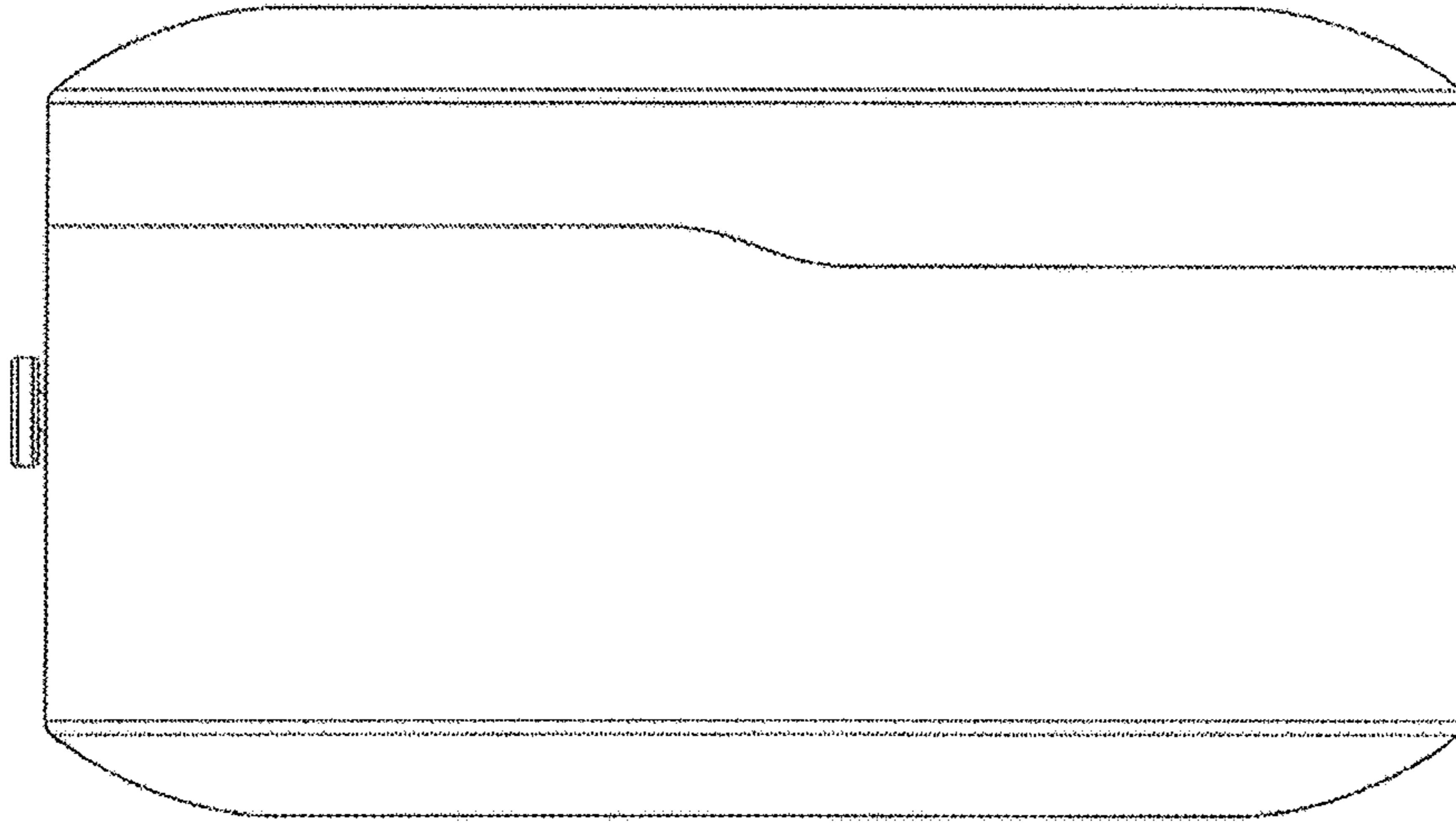


FIG. 5

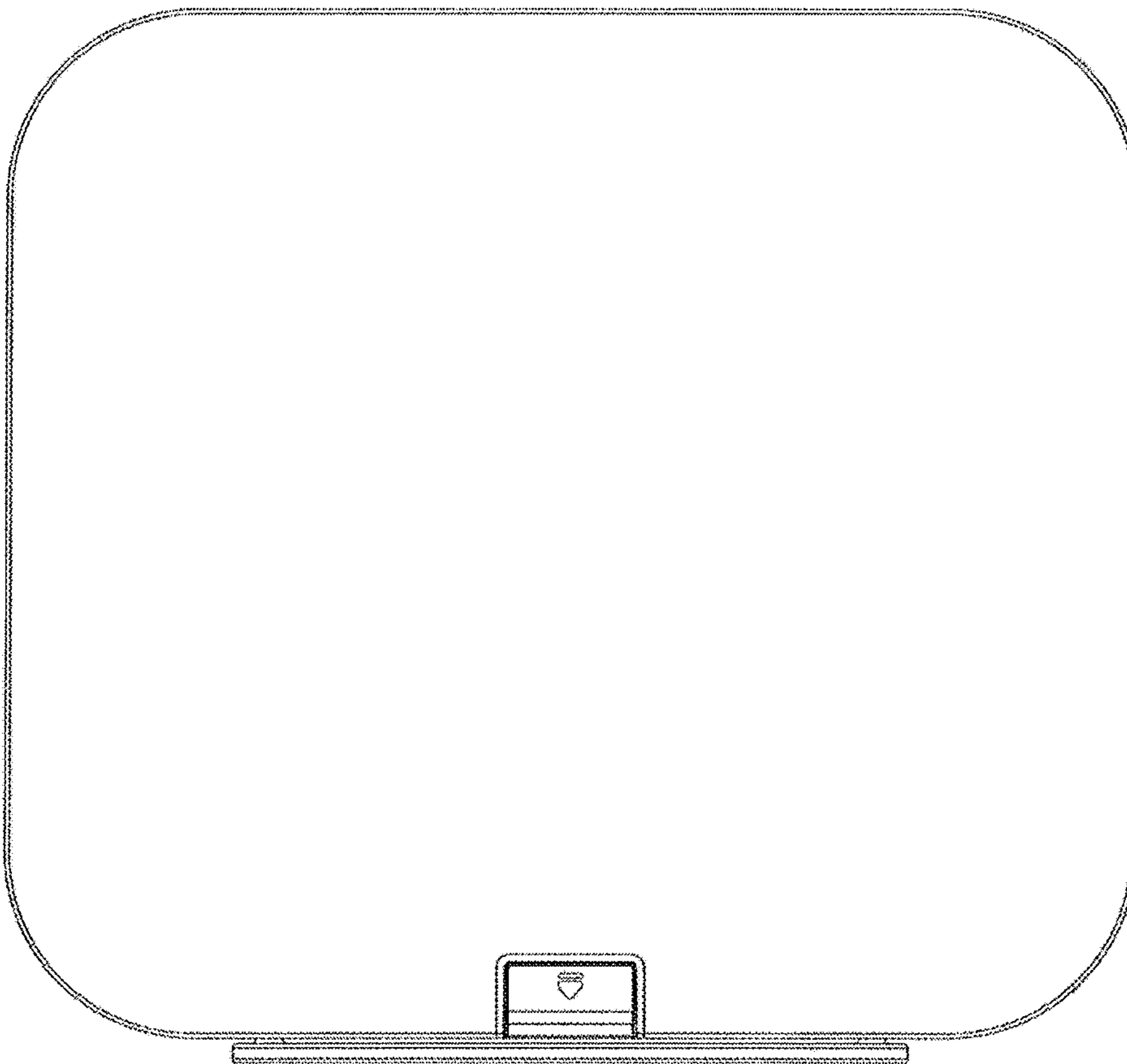


FIG. 6

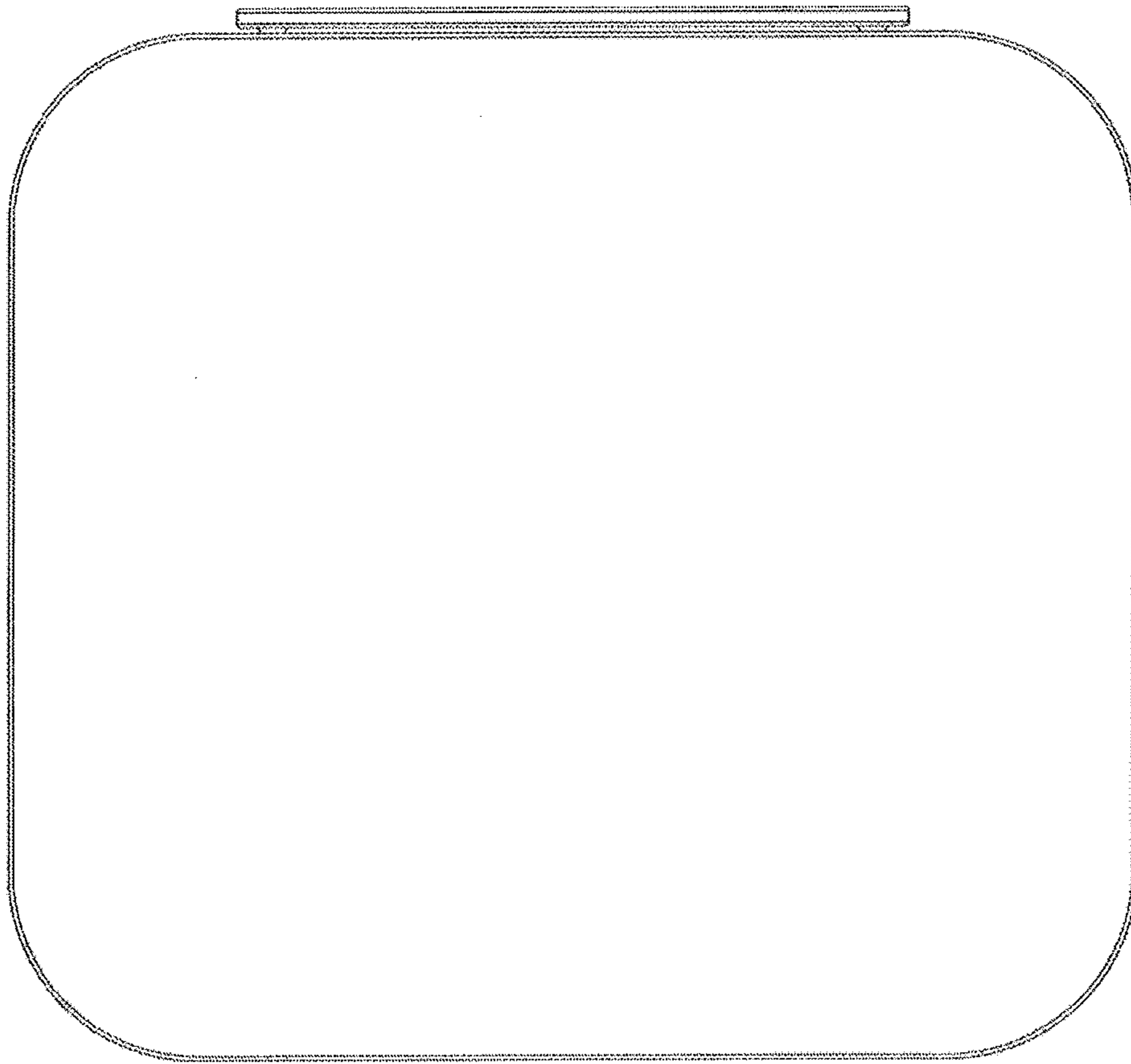


FIG. 7