



US00D853109S

(12) **United States Design Patent** (10) **Patent No.:** **US D853,109 S**
Wilson (45) **Date of Patent:** **** Jul. 9, 2019**

(54) **HOLDER FOR AMMUNITION MAGAZINE**

8,231,038 B2 * 7/2012 Felts A45F 5/02
224/665

(71) Applicant: **Brian Wilson**, Boca Raton, FL (US)

8,733,606 B2 * 5/2014 Felts F42B 39/02
224/245

(72) Inventor: **Brian Wilson**, Boca Raton, FL (US)

9,746,299 B1 * 8/2017 Davis F42B 39/02

(**) Term: **15 Years**

* cited by examiner

(21) Appl. No.: **29/634,369**

Primary Examiner — Catherine R Oliver-Garcia
(74) *Attorney, Agent, or Firm* — Clifford H. Kraft

(22) Filed: **Jan. 21, 2018**

(51) **LOC (11) Cl.** **03-01**

(57) **CLAIM**

(52) **U.S. Cl.**

The ornamental design for a holder for ammunition magazine, as shown and described.

USPC **D3/222**

(58) **Field of Classification Search**

USPC D3/215, 221, 222, 224, 225, 226, 230;
224/192–193, 198, 236, 238, 243, 245,
224/665, 667

CPC A45F 5/02; F41A 9/65; F41C 33/02; F42B
39/00; F42B 39/02; Y10S 224/931

See application file for complete search history.

DESCRIPTION

(56) **References Cited**

U.S. PATENT DOCUMENTS

D240,823 S * 8/1976 Burke D3/224
6,202,908 B1 * 3/2001 Groover F42B 39/02
224/236
D556,449 S * 12/2007 Rogers D3/222
D574,147 S * 8/2008 Zusman D3/222
D642,793 S * 8/2011 Rogers F41A 9/65
D3/222

FIG. 1 is a perspective view of my holder for ammunition magazine.

FIG. 2 is a side elevation view, the opposite side view being identical;

FIG. 3 is a top view thereof.

FIG. 4 is a bottom view thereof.

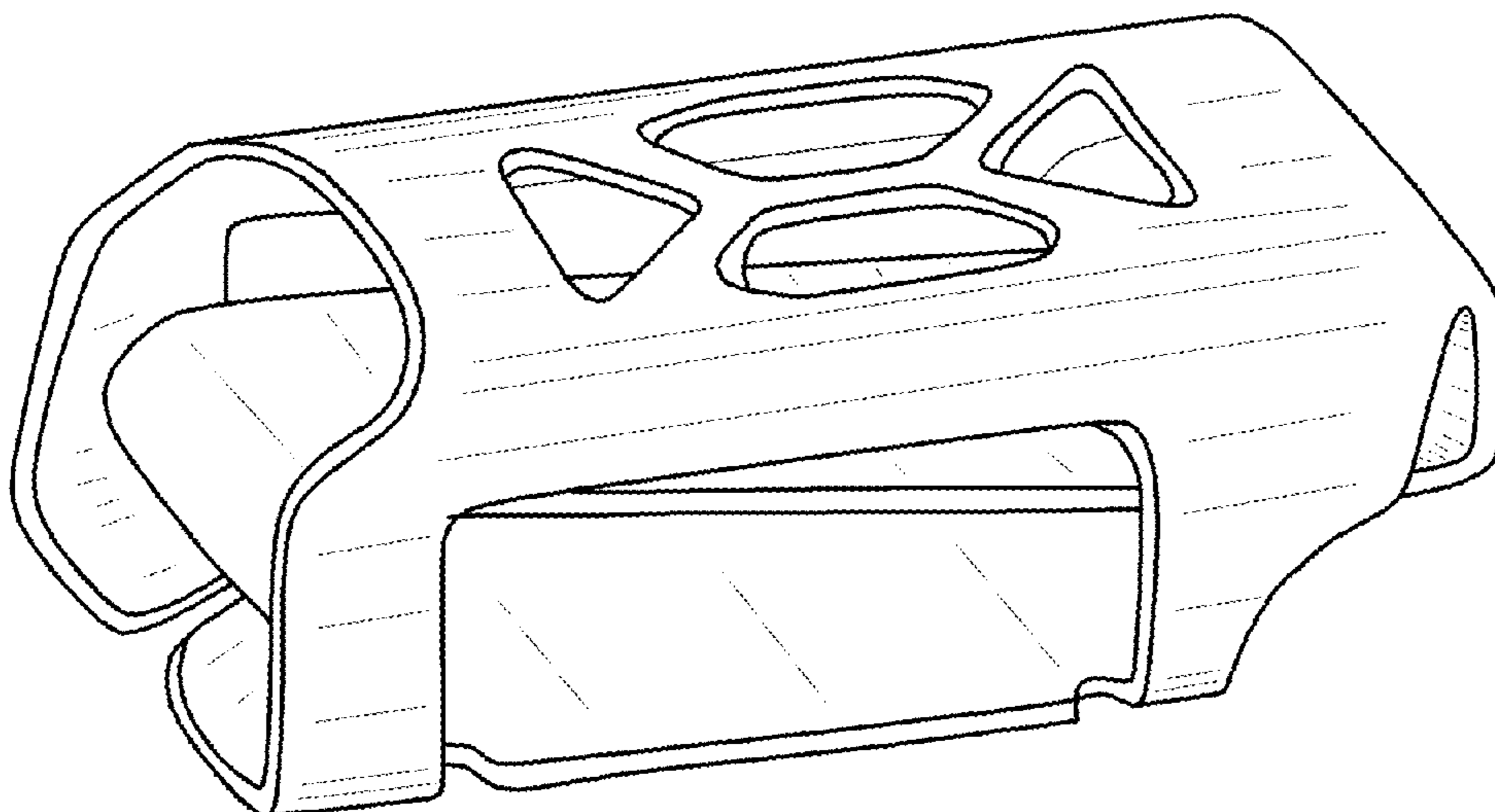
FIG. 5 is a rear view thereof.

FIG. 6 is a front view thereof.

FIG. 7 is a top view thereof; and,

FIG. 8 is a lengthwise cross sectional view of the holder, shown along line 8-8 of FIG. 7.

1 Claim, 7 Drawing Sheets



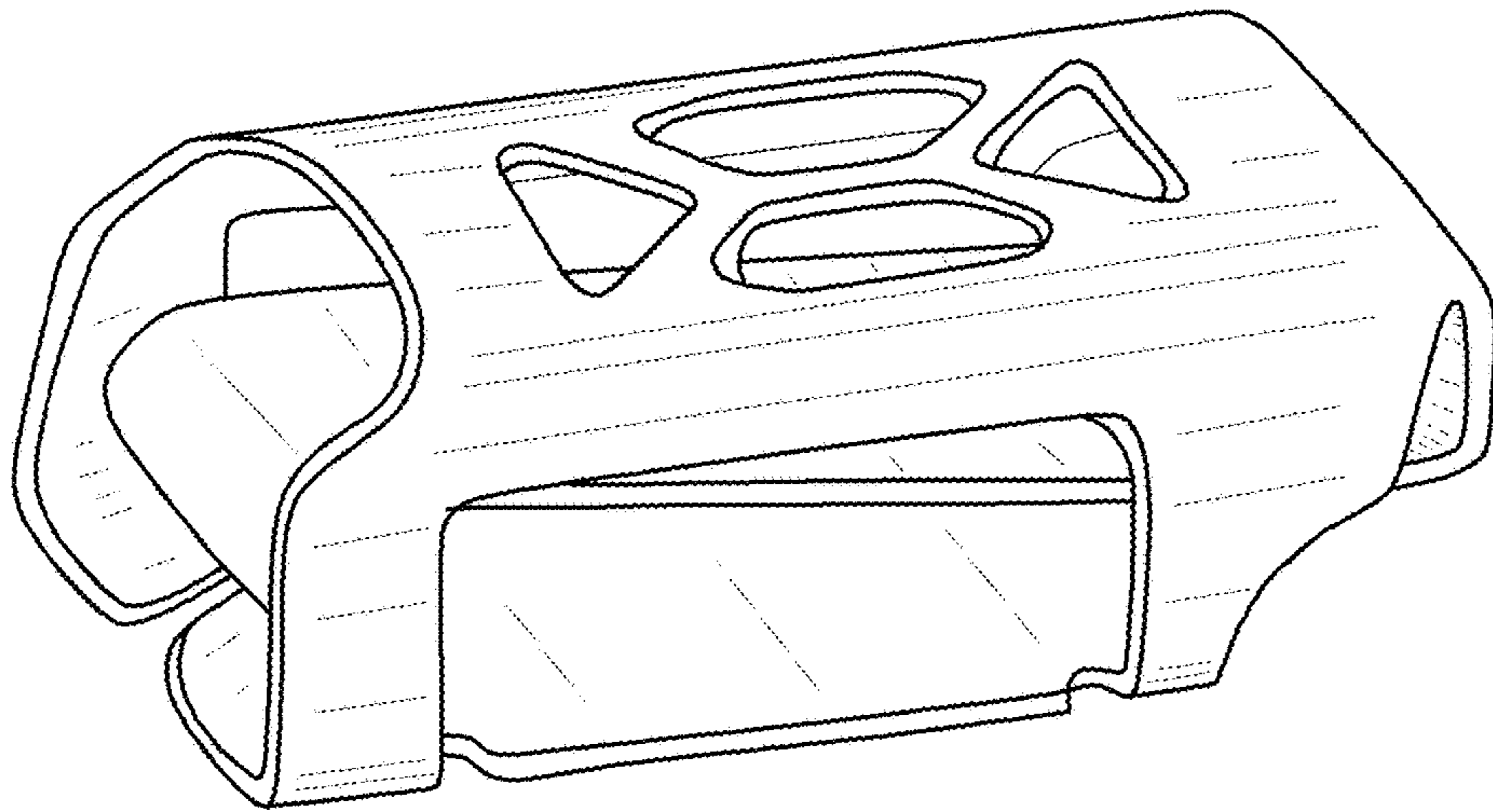


Fig. 1

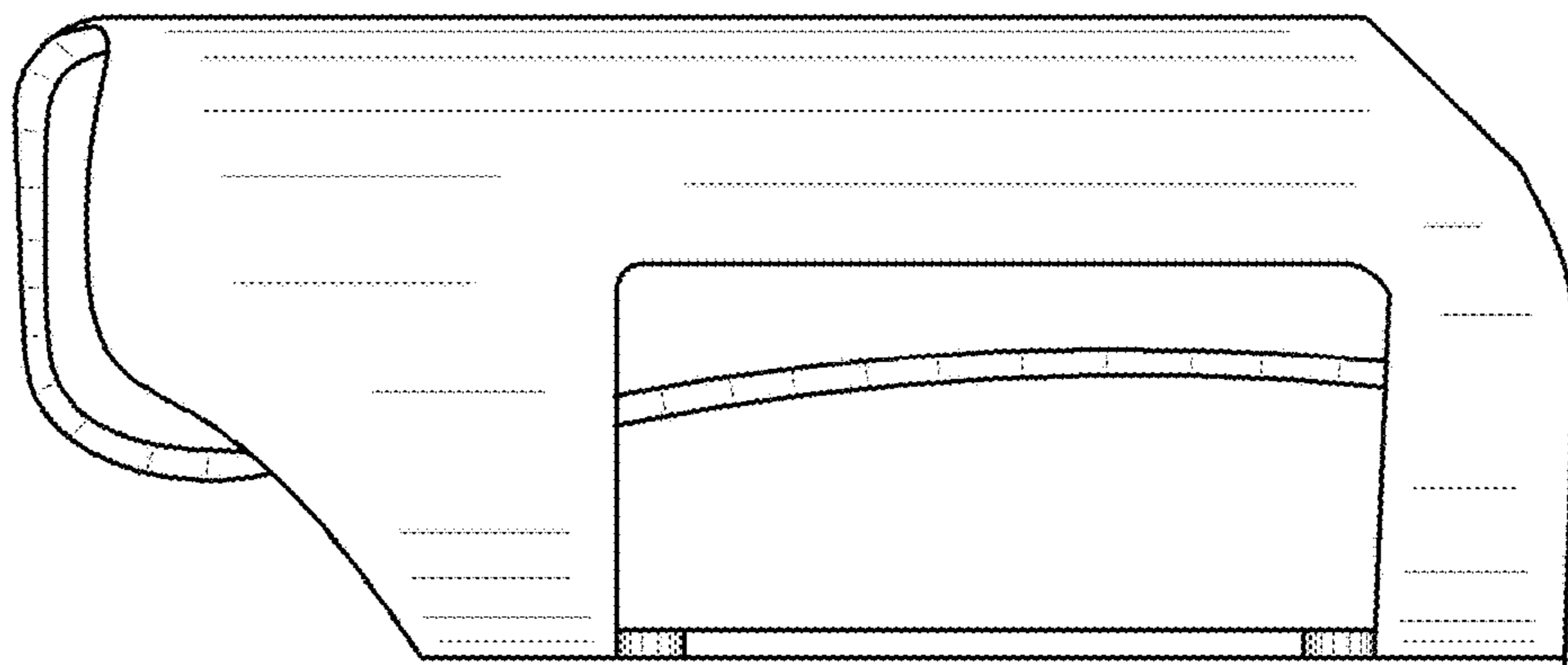


Fig. 2

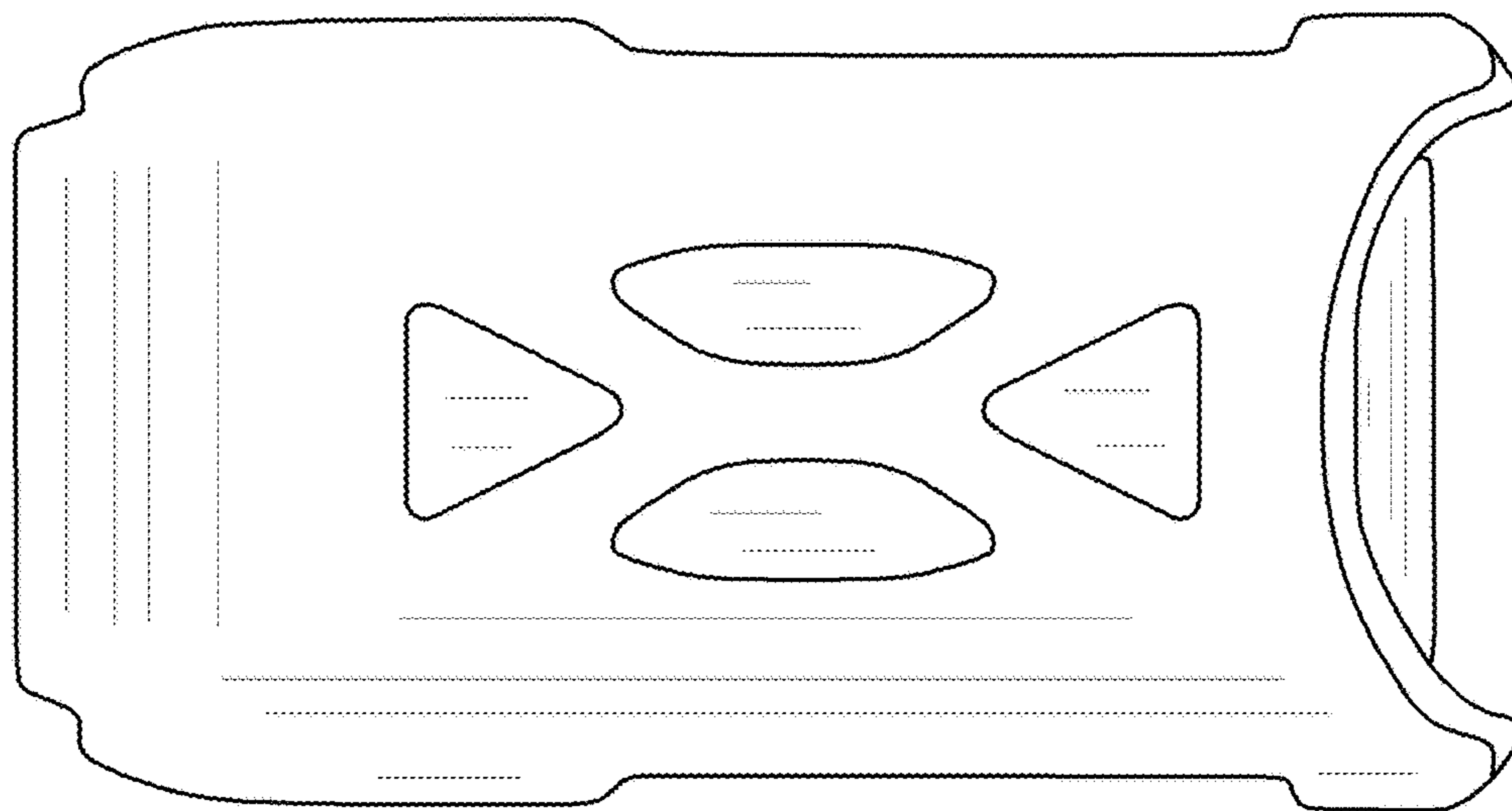


Fig. 3

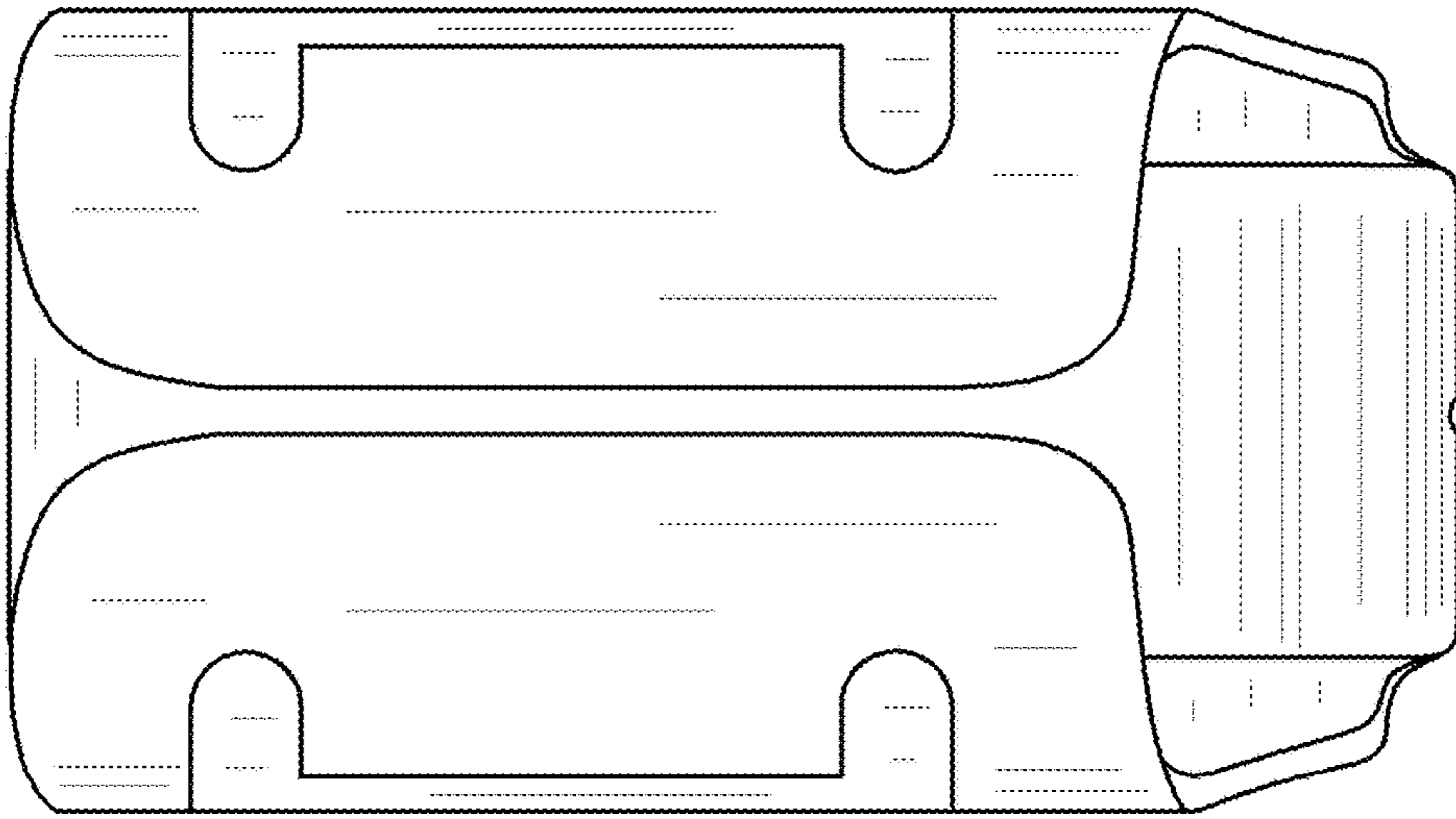


Fig. 4

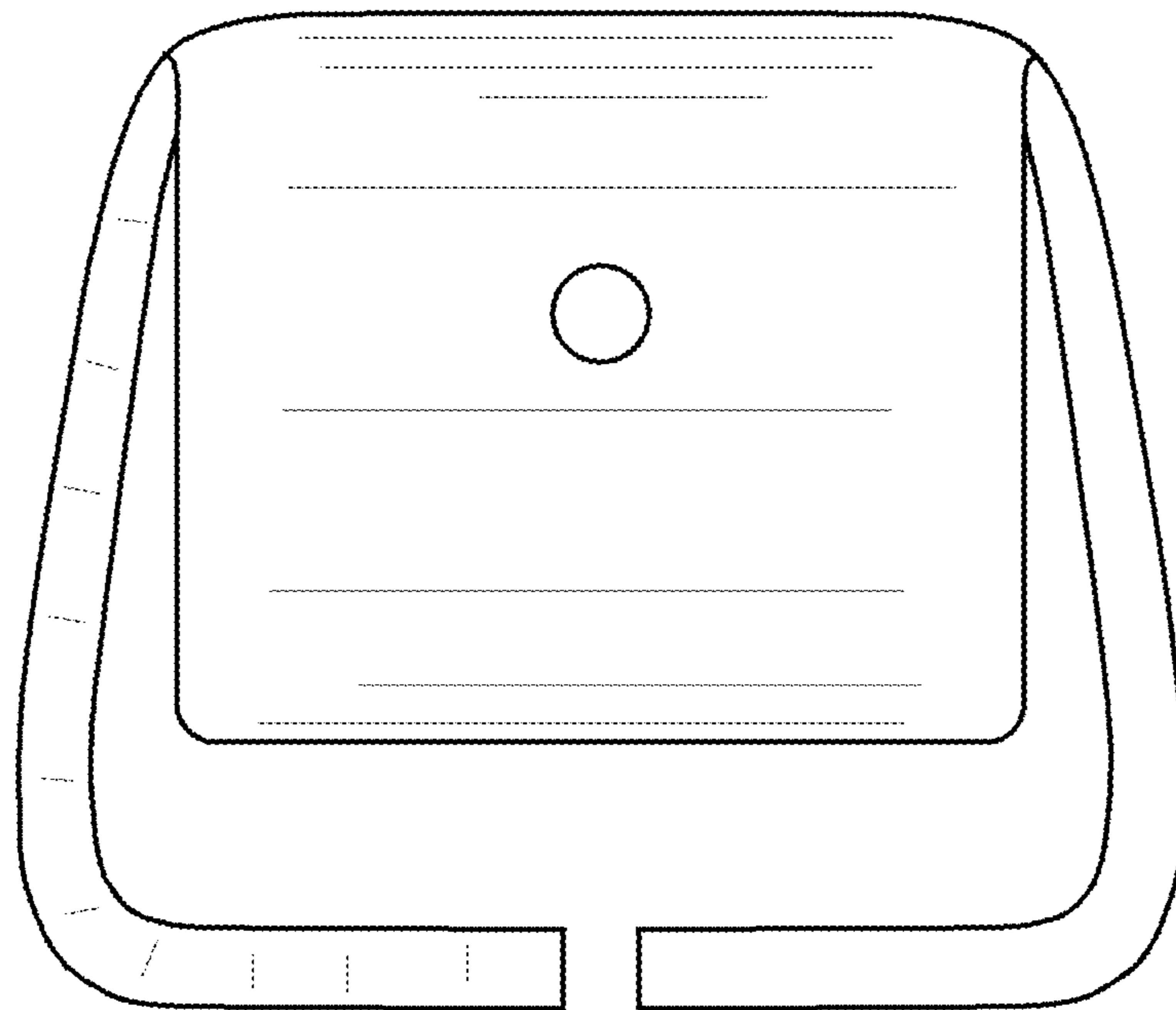


Fig. 5

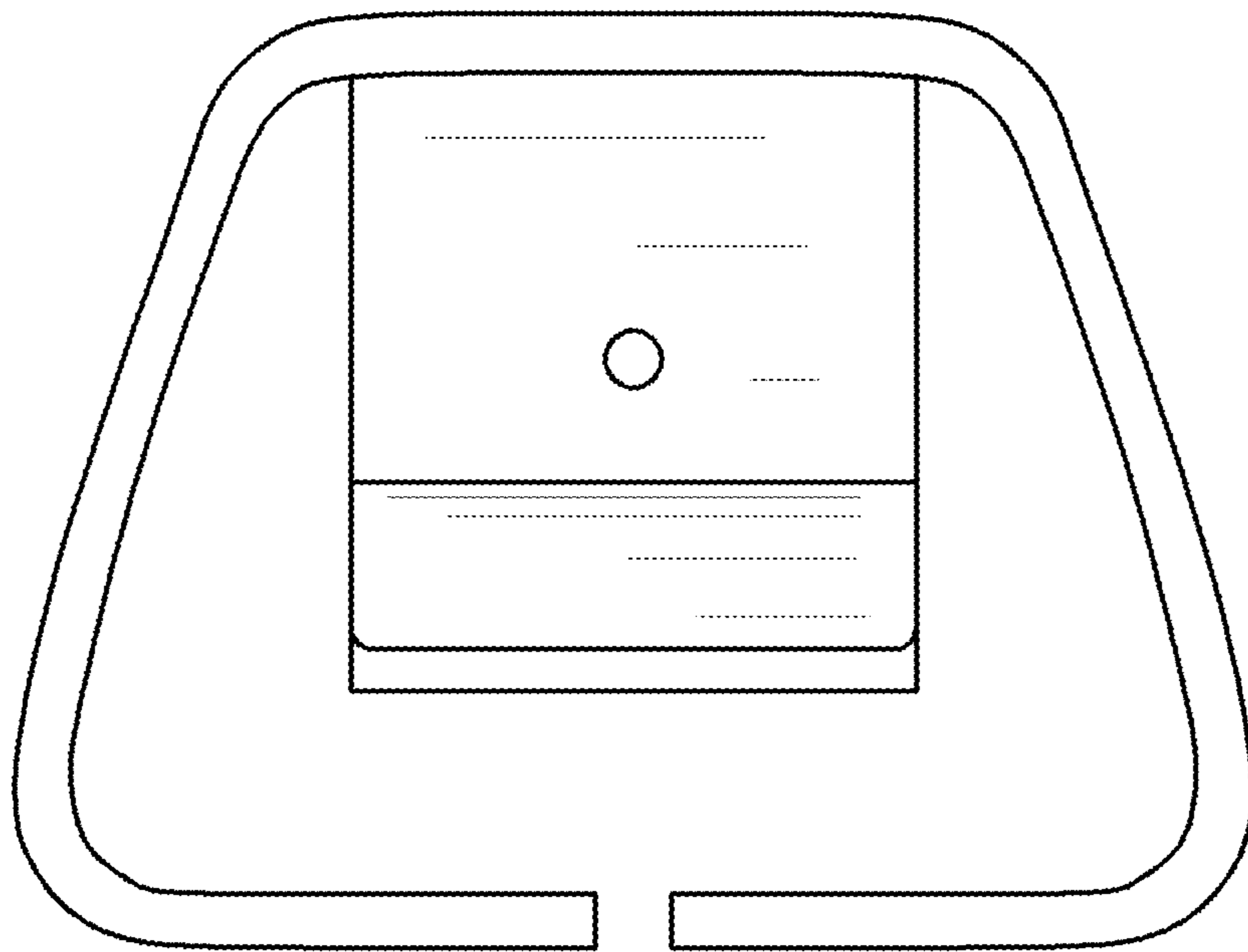


Fig. 6

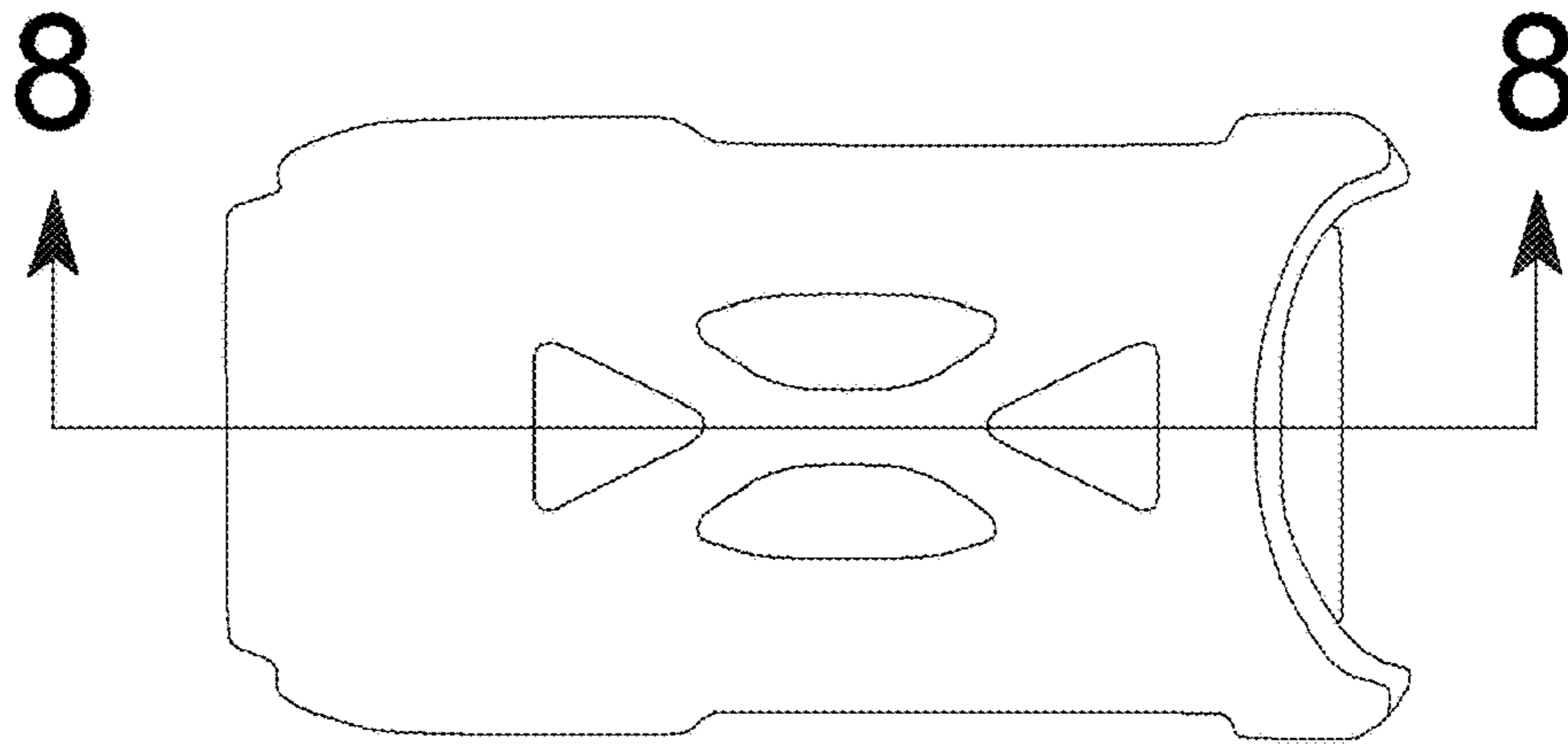


Fig. 7

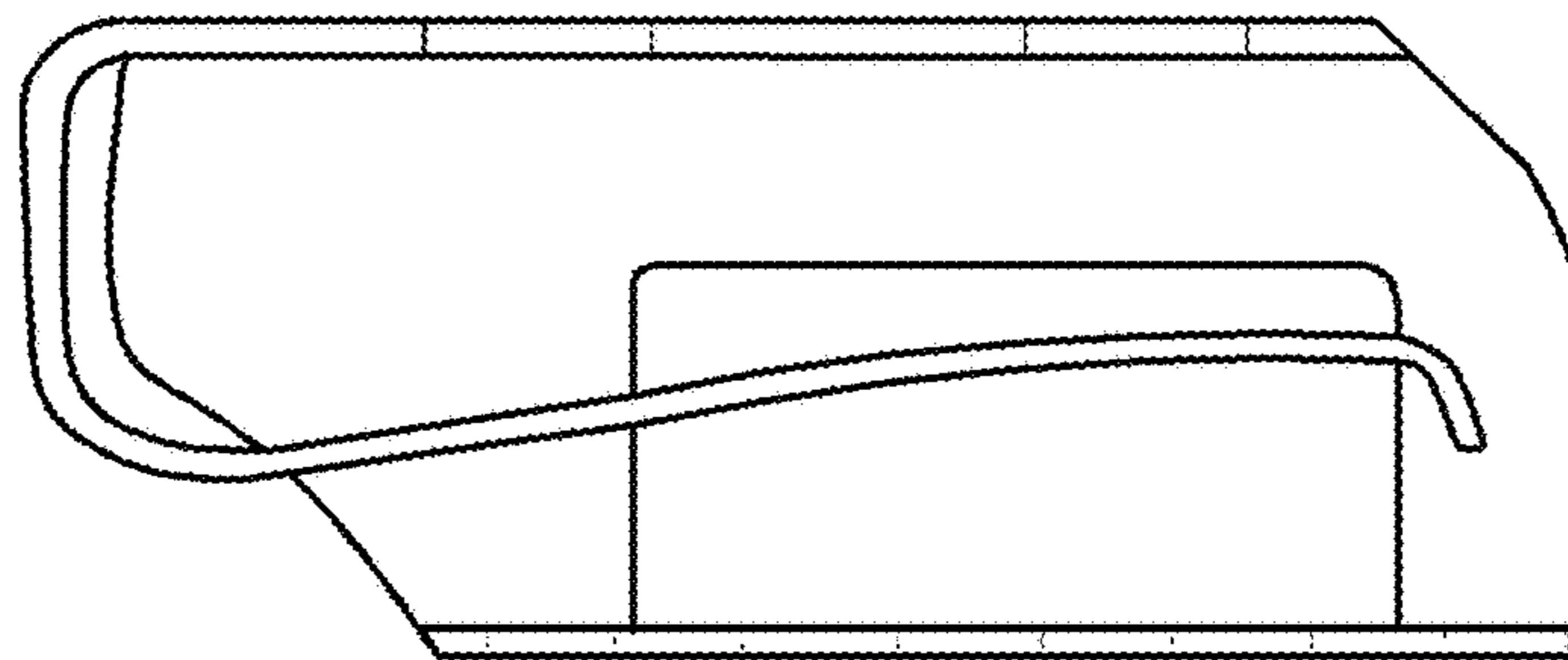


Fig. 8