



US00D853108S

(12) **United States Design Patent** (10) **Patent No.:** **US D853,108 S**
Zaihui (45) **Date of Patent:** **** Jul. 9, 2019**

(54) **HEADPHONE CASE**
(71) Applicant: **Hu Zaihui**, Shenzhen (CN)
(72) Inventor: **Hu Zaihui**, Shenzhen (CN)
(73) Assignee: **MPOW TECHNOLOGY CO. LIMITED**, Kowloon (HK)
(**) Term: **15 Years**

D511,895 S 11/2005 Vish et al.
D534,423 S * 1/2007 Tanner D14/205
D548,970 S 8/2007 Huang
D550,077 S * 9/2007 Lagreca D9/428
D570,098 S * 6/2008 Luzon D3/205
D604,501 S 11/2009 Lee
D609,009 S * 2/2010 Schaal et al. D3/201
D612,595 S * 3/2010 McCurdy D3/294
D620,256 S 7/2010 Fujimura et al.
D705,532 S 5/2014 Kolton
D731,793 S 6/2015 Houghton et al.
(Continued)

(21) Appl. No.: **29/634,043**
(22) Filed: **Jan. 18, 2018**
(51) **LOC (11) Cl.** **03-01**
(52) **U.S. Cl.**
USPC **D3/218**
(58) **Field of Classification Search**
USPC D3/215, 218-219, 201, 224, 226, 203.1,
D3/203.3, 203.5, 203.6, 203.8, 205,
D3/207-212, 232-233, 247-248, 261,
D3/263-264, 269, 272-273, 280,
D3/294-295, 298, 301-302, 901;
224/219, 222, 267, 269; 206/37-38, 305,
206/320, 536, 565, 702;
455/575.1-575.8; 379/452; D9/420, 426,
D9/428
CPC A45F 5/00; A45F 5/021; A45F 5/02; A45F
2200/0516; A45F 2005/008; A45F
2005/006; A45F 2003/142; B65D 25/10;
B65D 43/16; B65D 2313/04; B65D
2585/6835; B65D 85/00
See application file for complete search history.

(56) **References Cited**
U.S. PATENT DOCUMENTS

D333,560 S * 3/1993 Miyashita D3/218
D333,917 S * 3/1993 Daido D3/218
D418,287 S * 1/2000 Moor D3/201
D489,529 S 5/2004 Vish et al.
D506,744 S * 6/2005 Andre et al. D3/218

OTHER PUBLICATIONS

US Trademark Serial No. 87494883; Mark—MPOW Filing date:
Jun. 19, 2017.
(Continued)

Primary Examiner — Catherine R Oliver-Garcia
(74) *Attorney, Agent, or Firm* — Legalforce RAPC
Worldwide

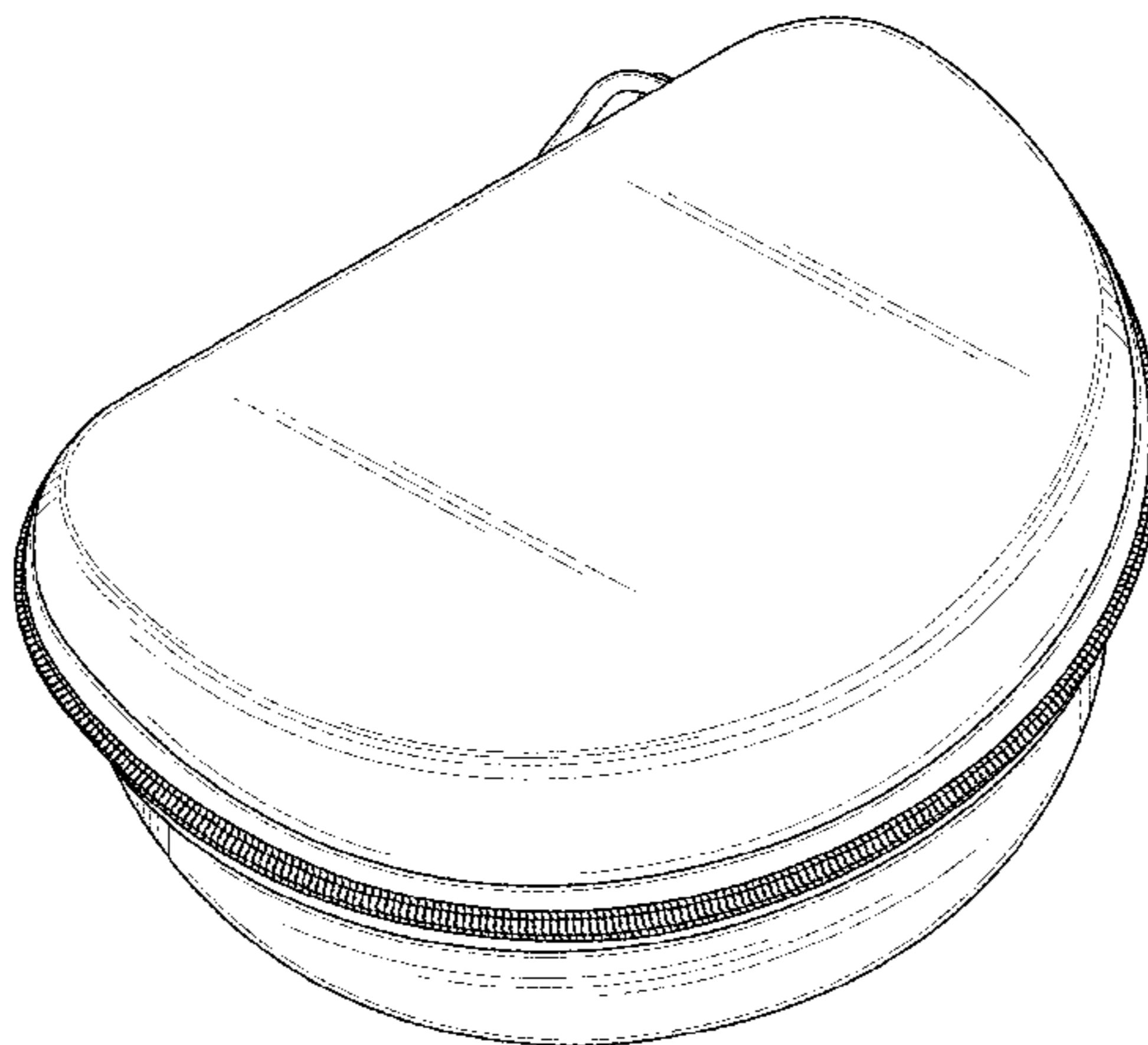
(57) **CLAIM**

The ornamental design for a headphone case, as shown and described.

DESCRIPTION

FIG. 1 is a front, top, left side perspective view for a headphone case, showing my new design;
FIG. 2 is a front elevational view of FIG. 1 thereof;
FIG. 3 is a rear elevational view of FIG. 1 thereof;
FIG. 4 is a left side elevational view of FIG. 1 thereof;
FIG. 5 is a right side elevational view of FIG. 1 thereof;
FIG. 6 is a top plan view of FIG. 1 thereof;
FIG. 7 is a bottom plan view of FIG. 1 thereof; and,
FIG. 8 is a front left side perspective view for a headphone case of FIG. 1 in a fully open position thereof, the broken line showing of the headphone is included for the purpose of illustrating environment and forms no part of the claimed design.

1 Claim, 8 Drawing Sheets



(56)

References Cited

U.S. PATENT DOCUMENTS

D738,110 S 9/2015 Jiang et al.
 D772,572 S * 11/2016 Palmborg et al. D3/218
 D774,760 S 12/2016 Martinetti
 D775,818 S 1/2017 Ingraham
 D816,994 S * 5/2018 Fischer et al. D3/294
 D822,374 S * 7/2018 Hung et al. D3/201
 D832,572 S * 11/2018 Bae D3/294
 D839,583 S * 2/2019 Cao D3/201
 2007/0256946 A1 * 11/2007 Godshaw et al. D3/294

OTHER PUBLICATIONS

US Trademark Serial No. 87137537; Mark—TOPOP Filing date:
 Aug. 13, 2016 Publication date: Jan. 3, 2017.
 US Trademark Serial No. 87171900; Mark—HABOR Filing date:
 Sep. 15, 2016 Publication date: Jan. 31, 2017.
 “Hard Carry Headphones Case Bag for Headset”, by KRQ, Found
 Online [May 9, 2018] [https://i.ebayimg.com/00/s/MTAwMFgxMDAw/z/fd0AAOSwt51az4Gb/\\$_10.JPG?set_id=880000500F](https://i.ebayimg.com/00/s/MTAwMFgxMDAw/z/fd0AAOSwt51az4Gb/$_10.JPG?set_id=880000500F).
 “Headphone EVA Carrying Hard Case Storage Bag Pouch”, by iEC,
 Found Online [May 9, 2018] <http://www.iectechnology.com/upload/ProductPic/20160426005729079727.jpg>.
 “Deluxe Leatherette Travel Case for Grado Headphones”, by Earzonk,
 Found Online [May 9, 2018] https://images-na.ssl-images-amazon.com/images/1/51Qch908%2B3L._SL1000_.jpg.
 “Hard Shell Headphone Carrying Case”, by LinkIdea, Found Online
 [May 9, 2018] https://images-na-ssl-images-amazon.com/images/1/613T48ReMhL._SL110_.jpg.

* cited by examiner

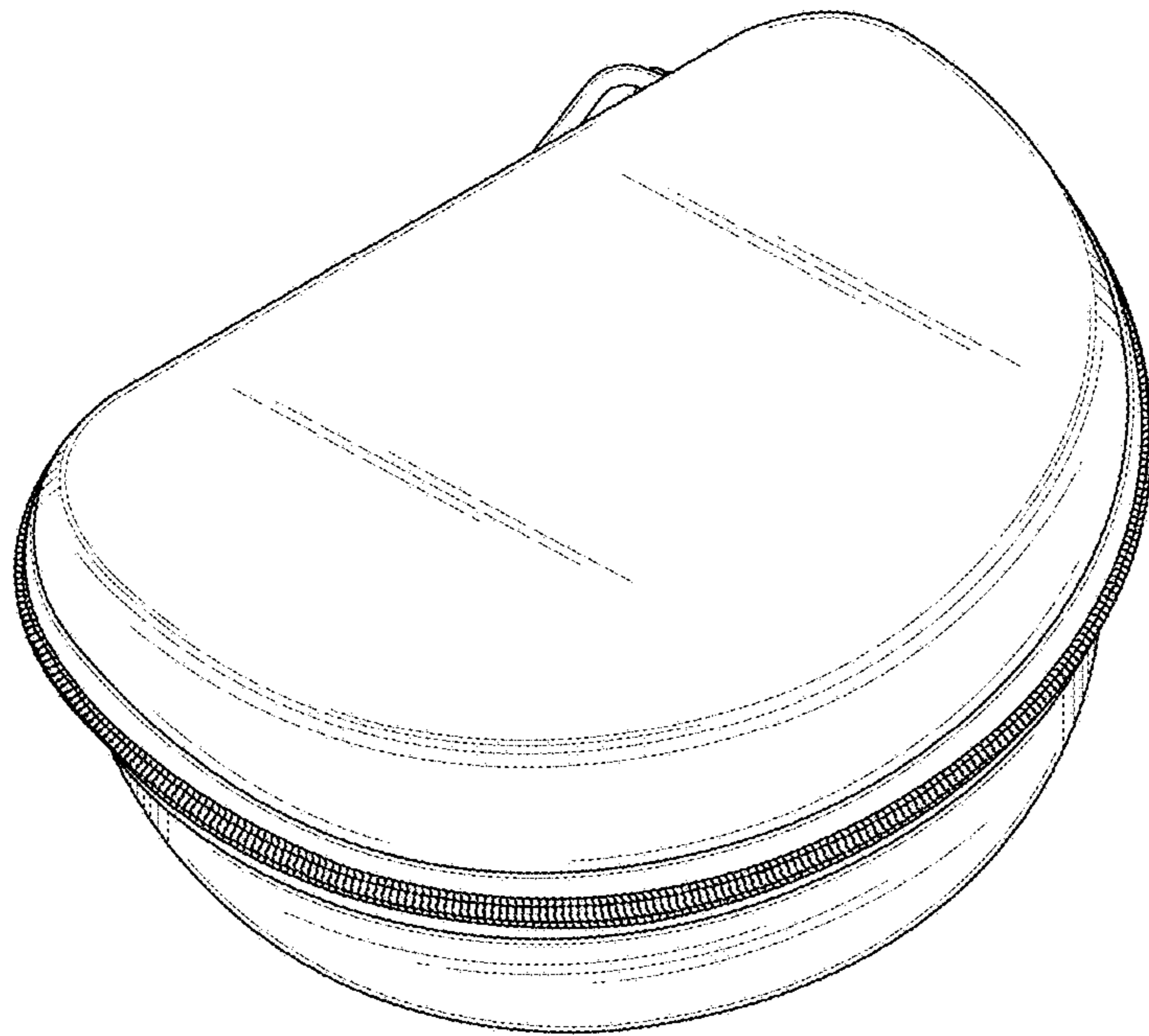


FIG. 1

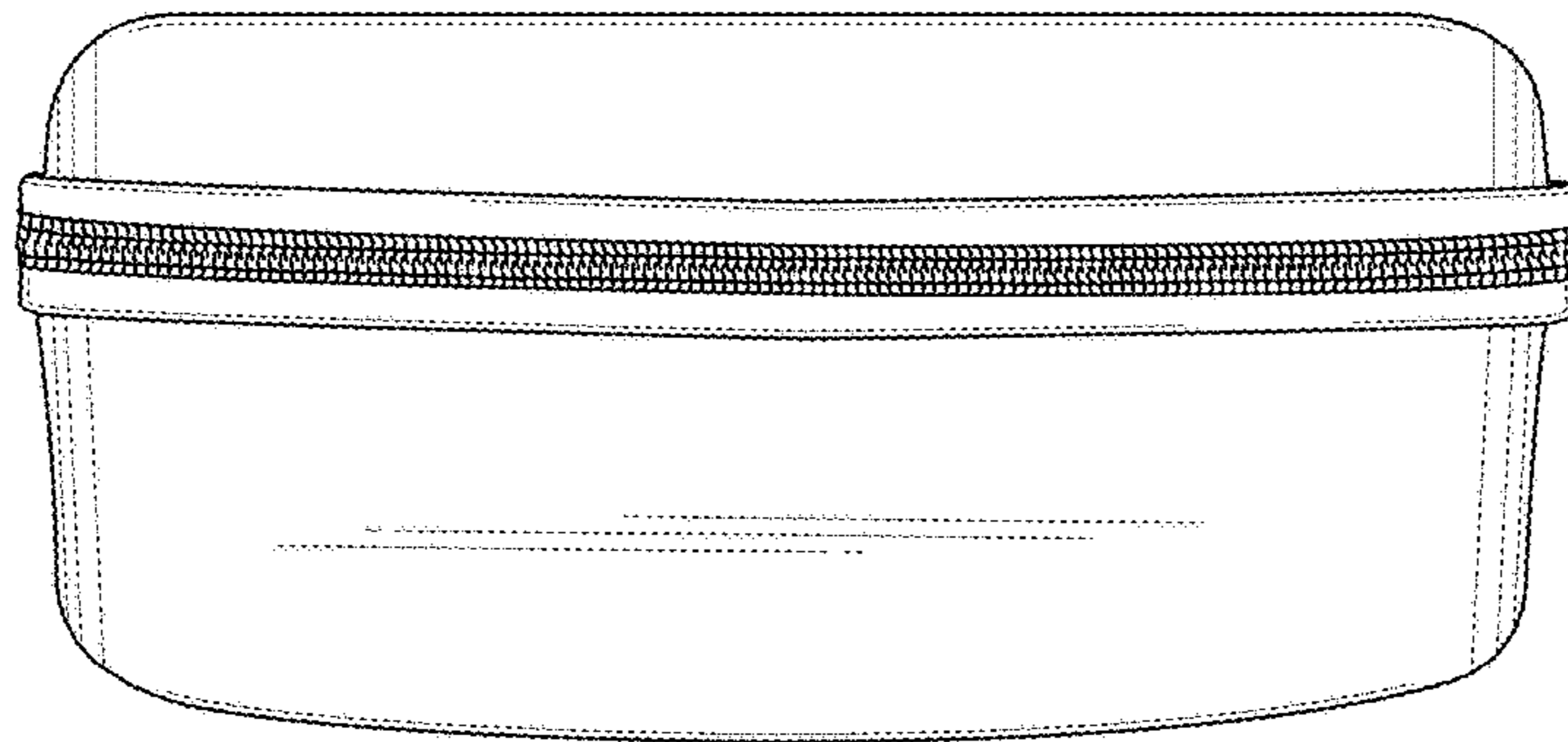


FIG. 2

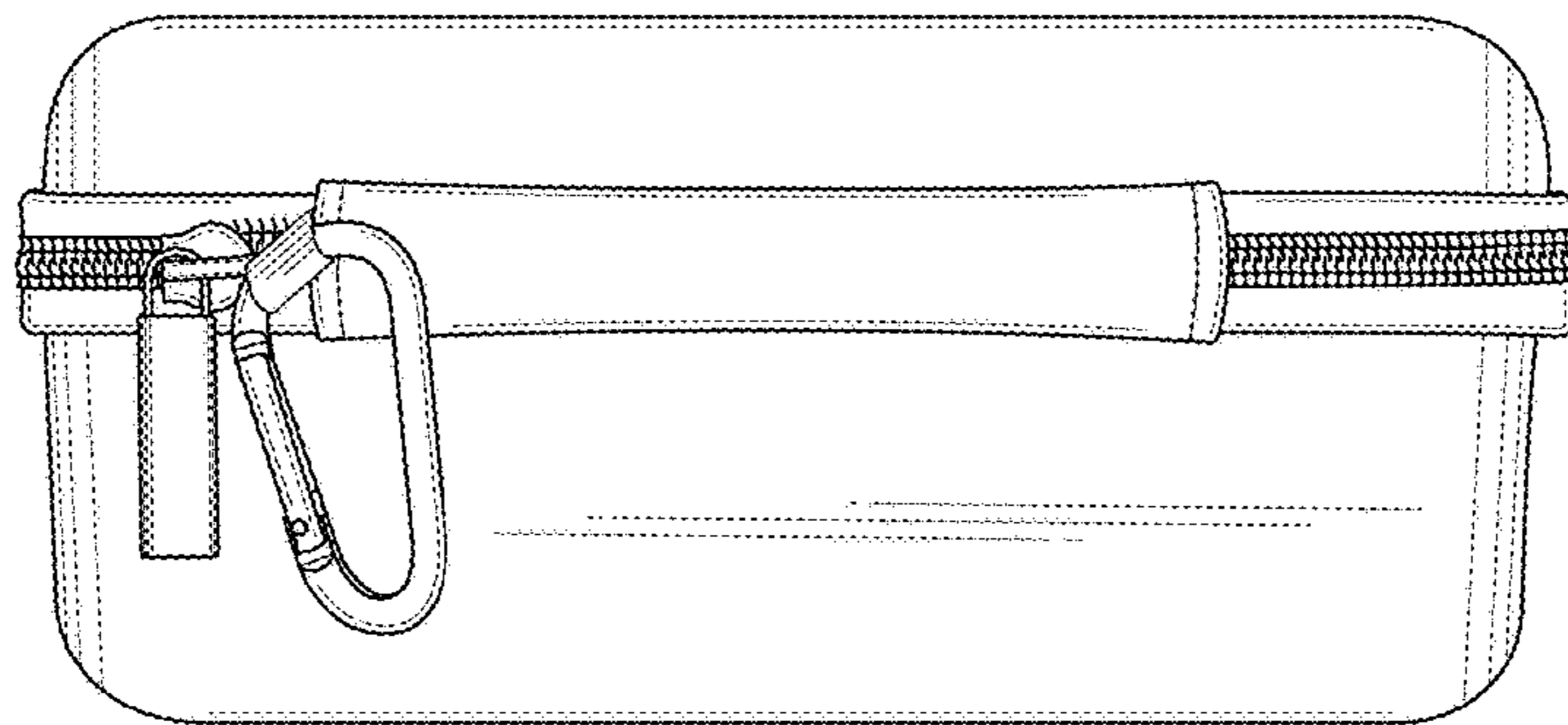


FIG. 3

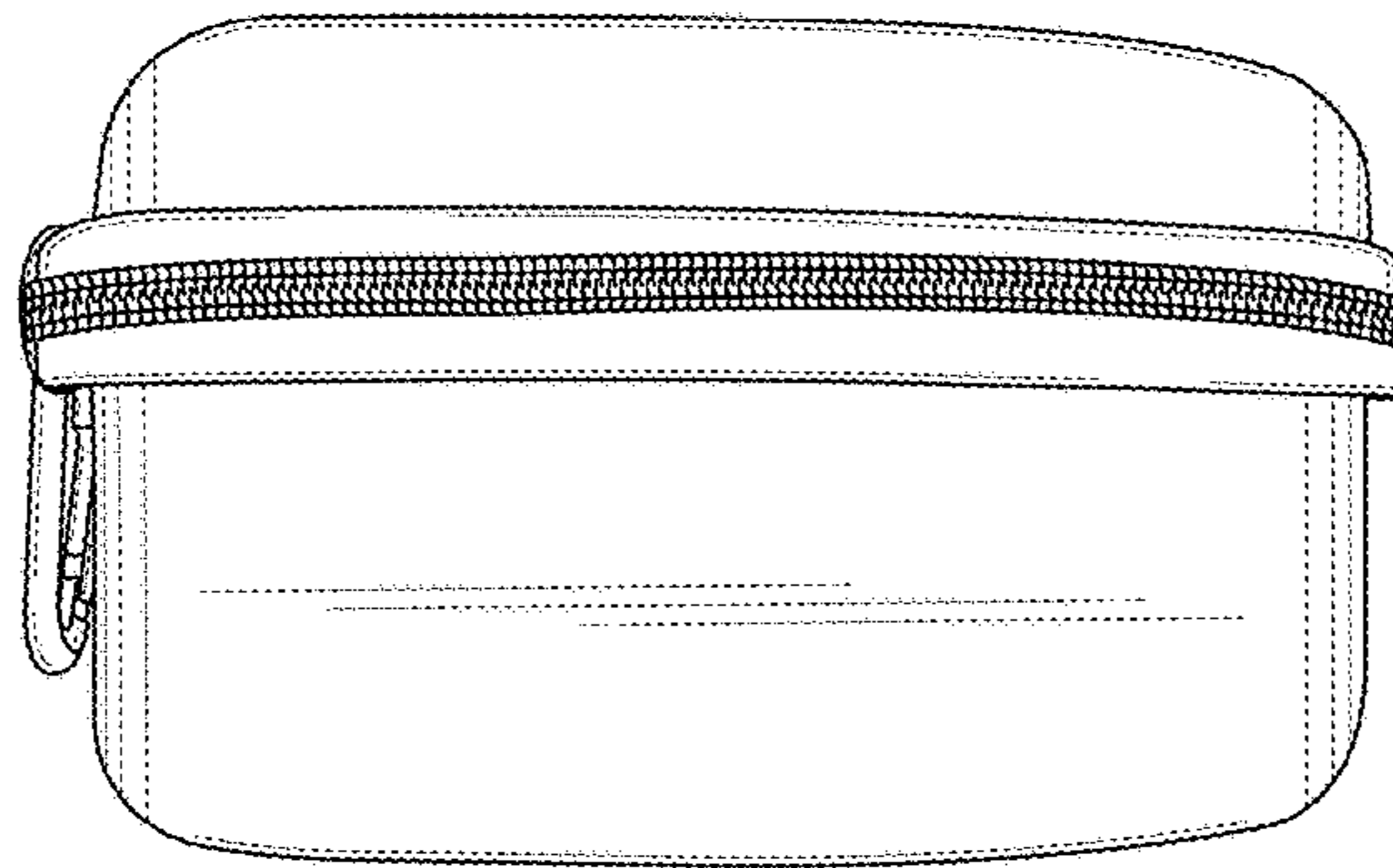


FIG. 4

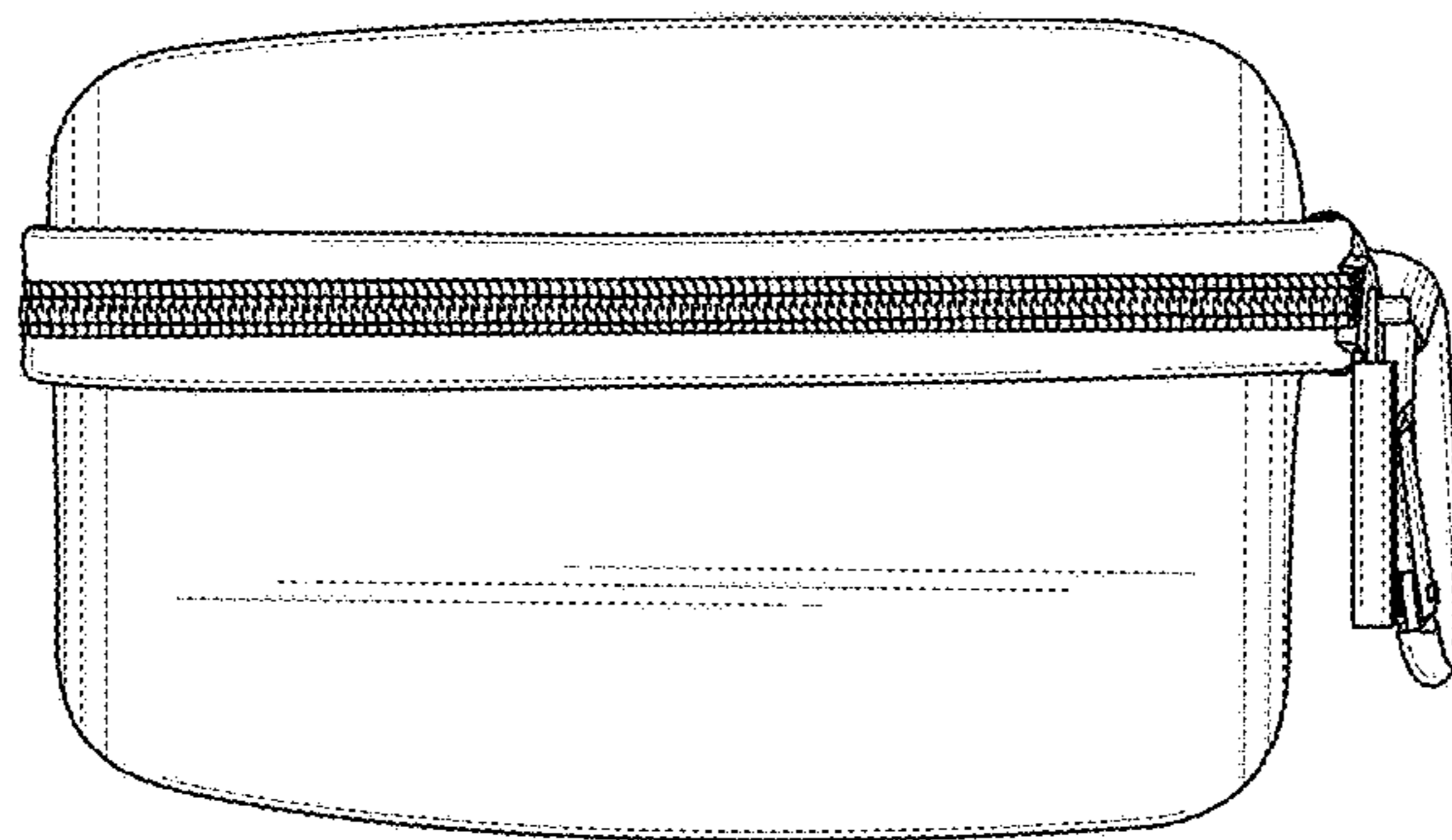


FIG. 5

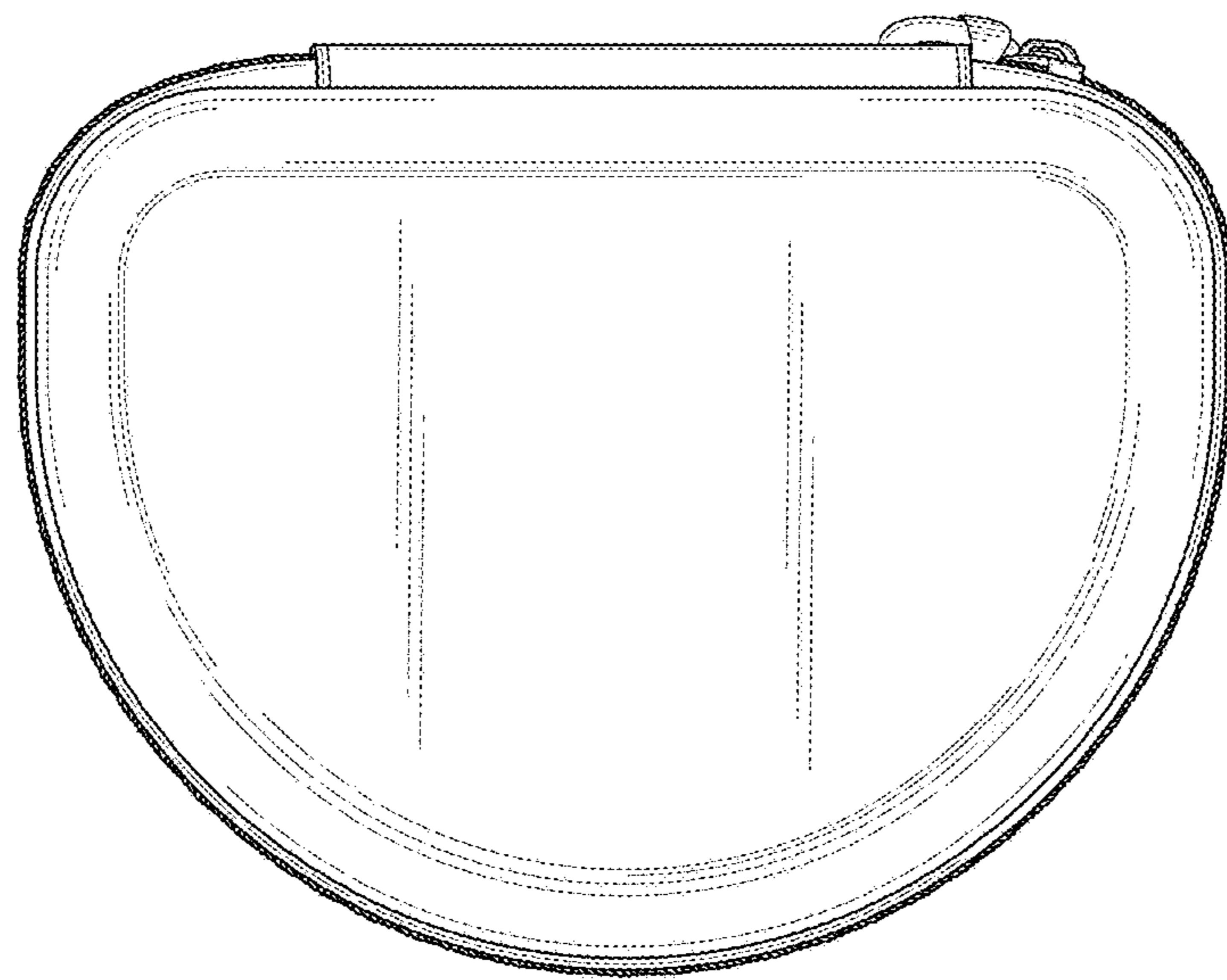


FIG. 6

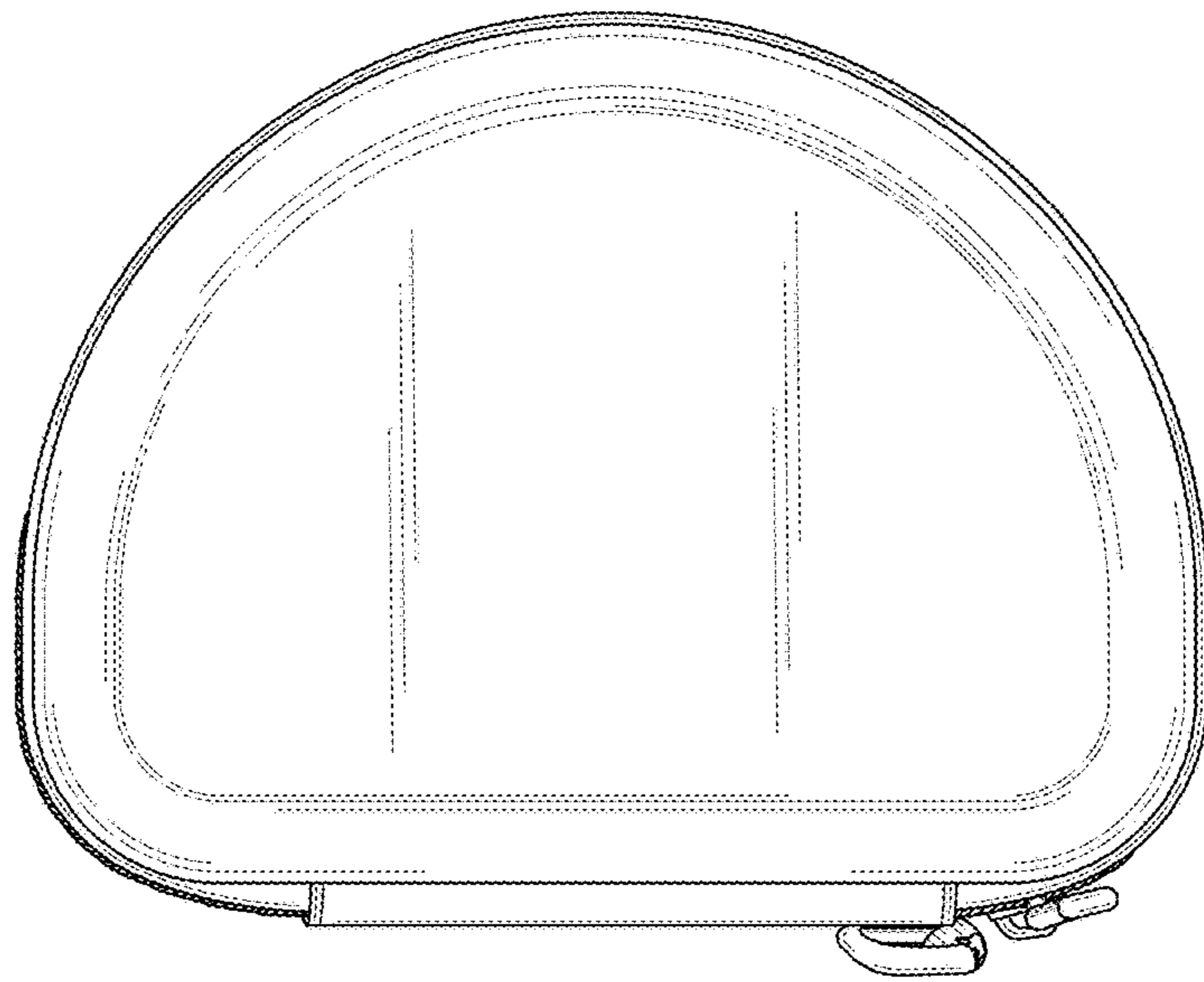


FIG. 7

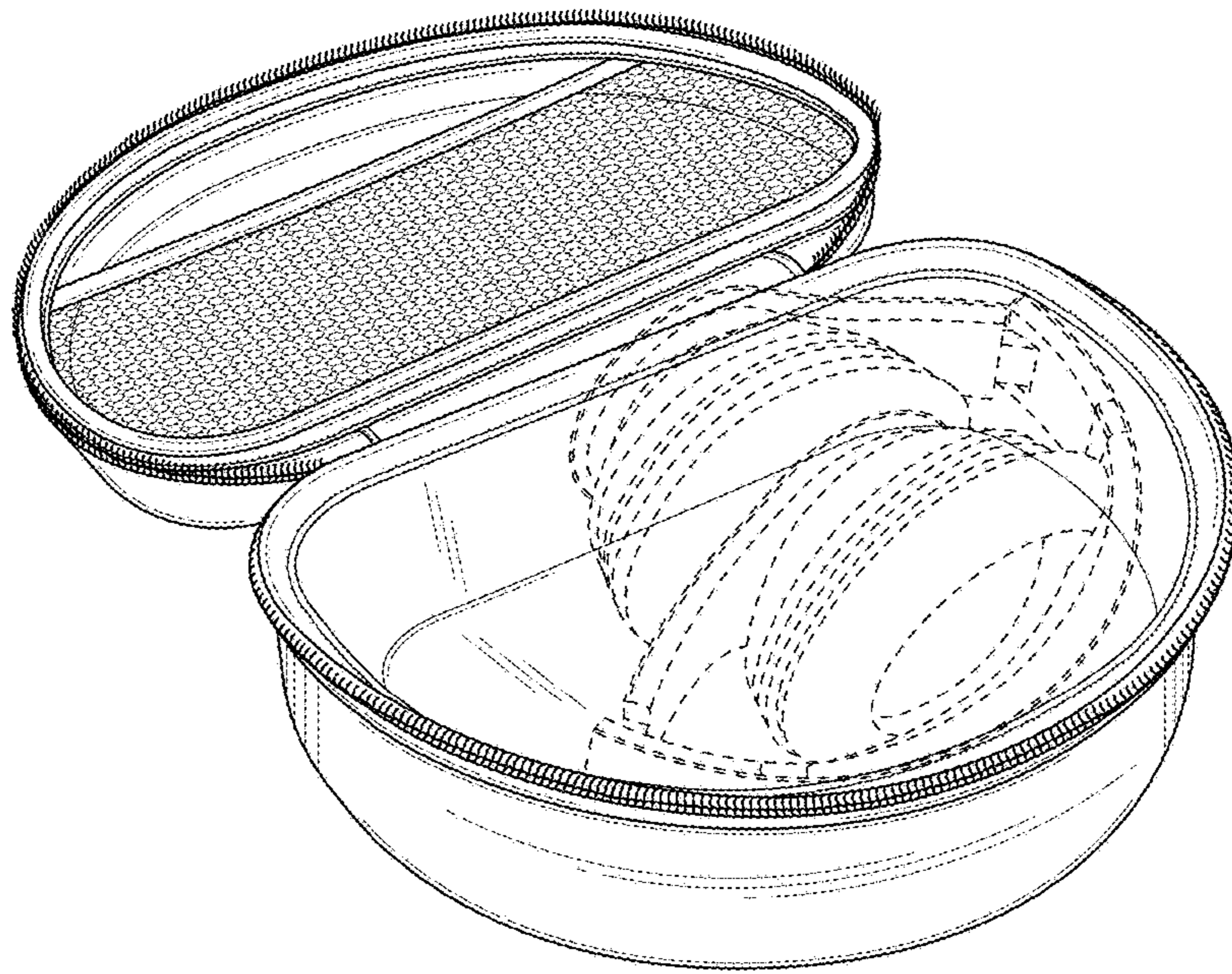


FIG. 8