



US00D853107S

(12) **United States Design Patent**
Lyons

(10) **Patent No.:** **US D853,107 S**
(45) **Date of Patent:** **** Jul. 9, 2019**

(54) **BACKPACK**

(71) Applicant: **Rashad Khari Lyons**, Vallejo, CA (US)

(72) Inventor: **Rashad Khari Lyons**, Vallejo, CA (US)

(**) Term: **15 Years**

(21) Appl. No.: **29/610,322**

(22) Filed: **Jul. 11, 2017**

(51) **LOC (11) Cl.** **03-01**

(52) **U.S. Cl.**
USPC **D3/217**

(58) **Field of Classification Search**

USPC D3/216, 217, 279

CPC A45F 3/04; A45F 4/02; A45F 3/02; A45F
4/00

See application file for complete search history.

(56) **References Cited**

U.S. PATENT DOCUMENTS

5,649,658 A * 7/1997 Hoffman A45F 3/04
190/2

D557,009 S * 12/2007 Elmerg D3/217

D674,591 S * 1/2013 Hargens D3/217

D802,295 S * 11/2017 Wu D3/217

2012/0048904 A1 * 3/2012 Scicluna A45C 13/30
224/627

* cited by examiner

Primary Examiner — Jennifer L Watkins

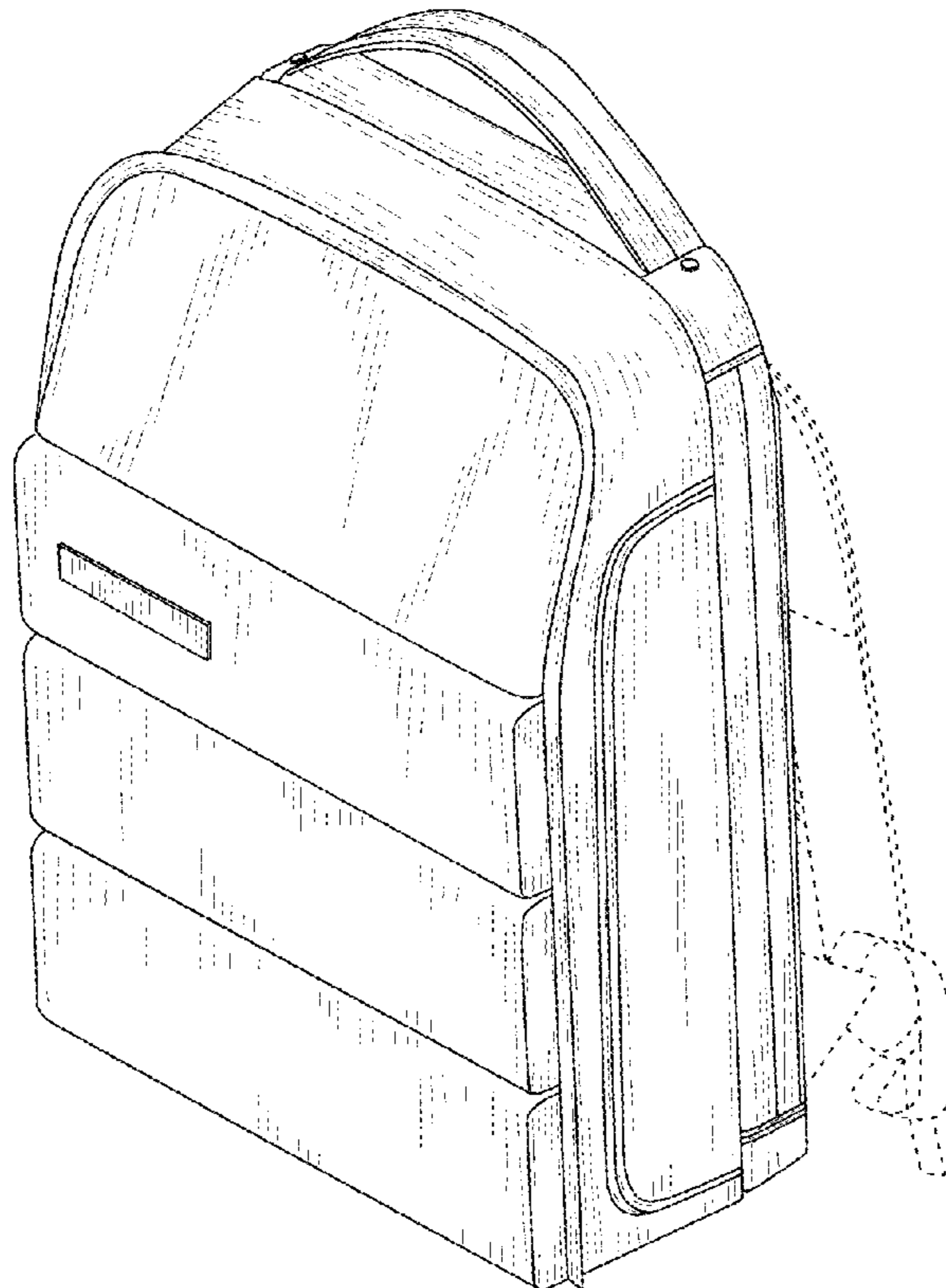
(57) **CLAIM**

The ornamental design for a backpack, as shown and described.

DESCRIPTION

FIG. 1 is a front perspective view of a backpack;
FIG. 2 is a rear perspective view thereof;
FIG. 3 is a front elevational view thereof;
FIG. 4 is a right side elevational view thereof;
FIG. 5 is a rear elevational view thereof;
FIG. 6 is a left side elevational view thereof;
FIG. 7 is a top plan view thereof;
FIG. 8 is a bottom plan view thereof;
FIG. 9 is a front perspective view of a backpack in an open configuration to reveal an interior of the backpack;
FIG. 10 is a front elevational view thereof;
FIG. 11 is a right side elevational view thereof;
FIG. 12 is a rear elevational view thereof;
FIG. 13 is a left side elevational view thereof;
FIG. 14 is a top plan view thereof; and,
FIG. 15 is a bottom plan view thereof.
The broken line showing of straps and dividers is included for the purpose of illustrating environmental structure and forms no part of the claimed design.

1 Claim, 15 Drawing Sheets



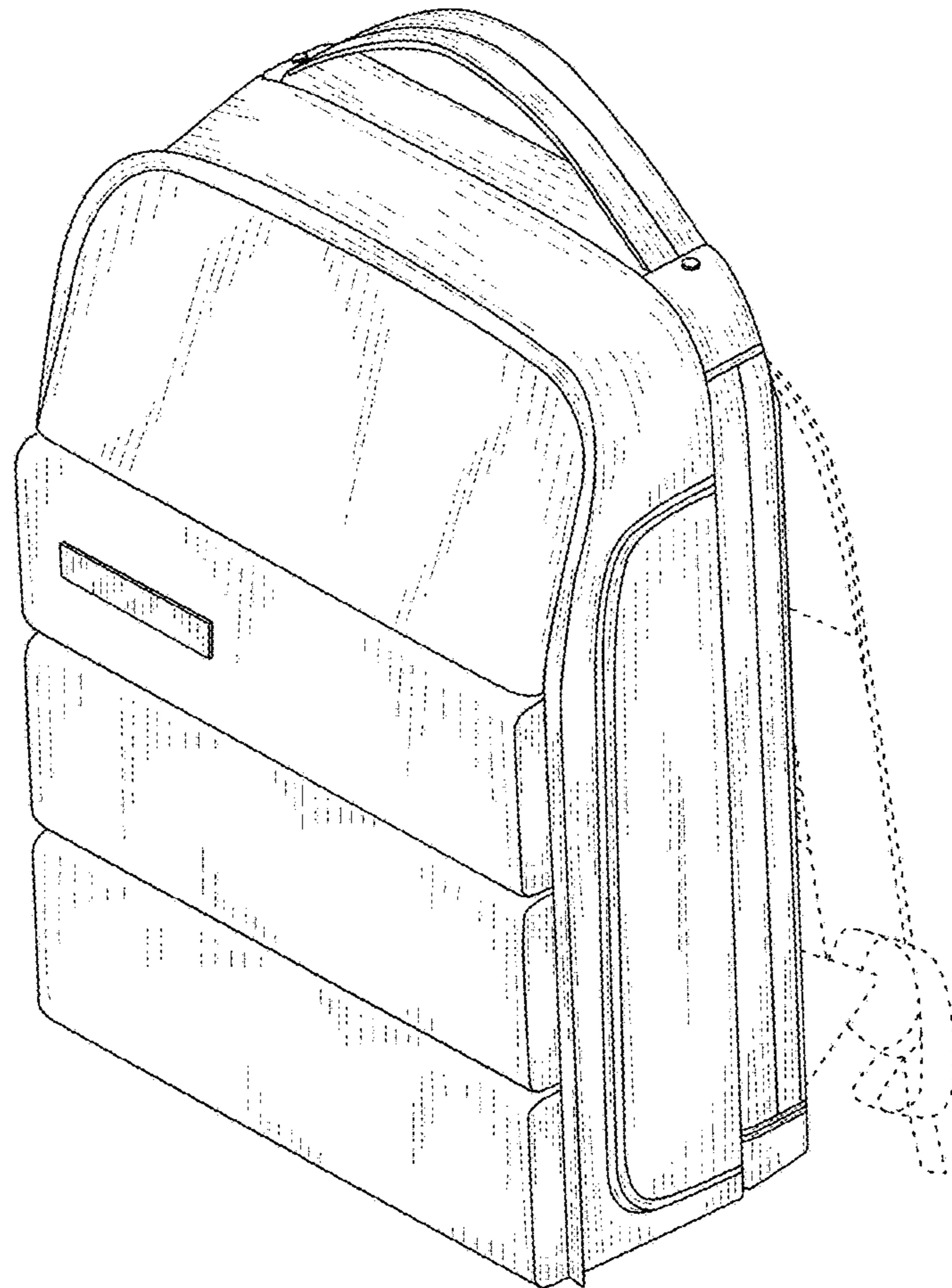


FIG. 1

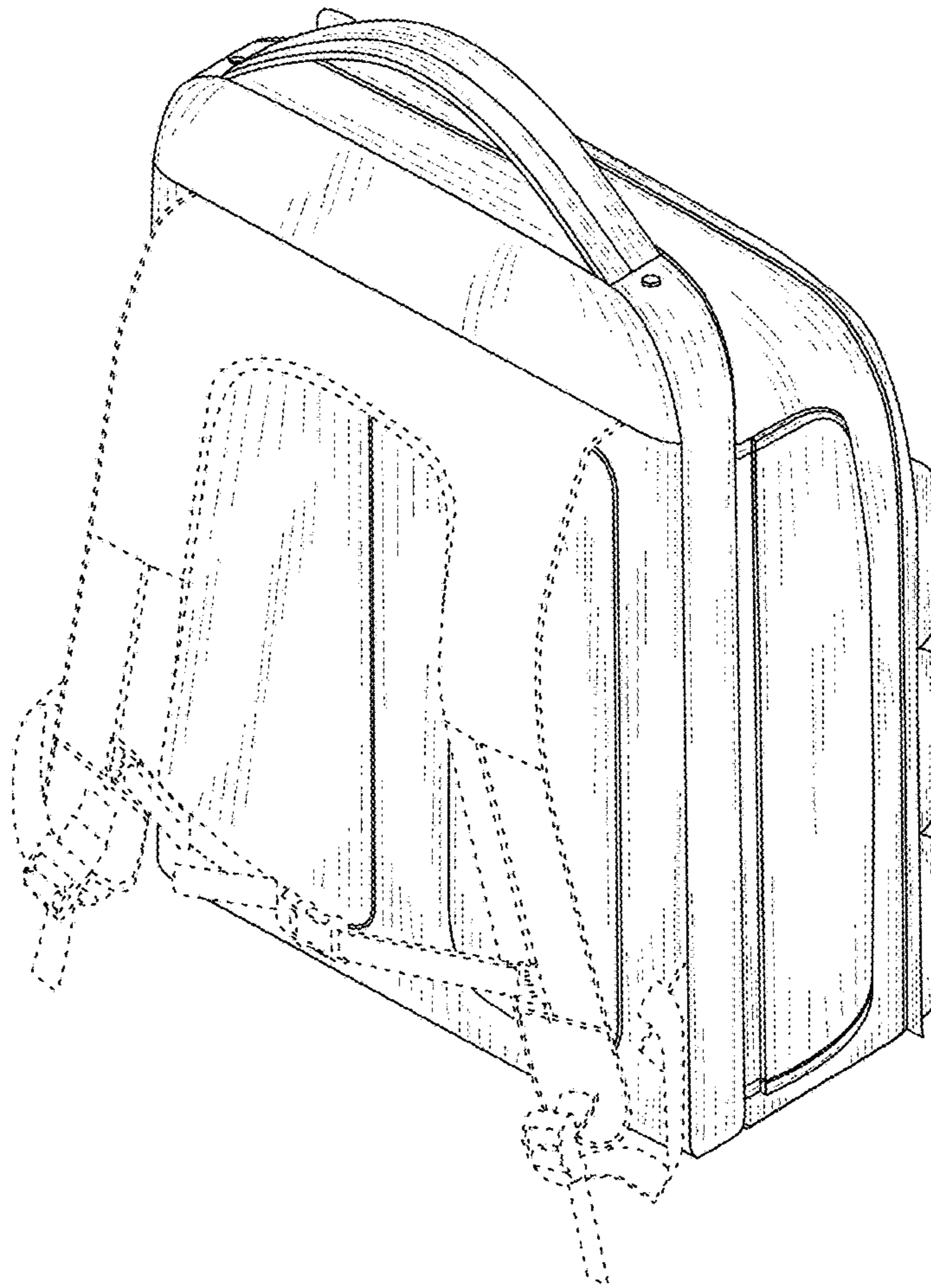


FIG. 2

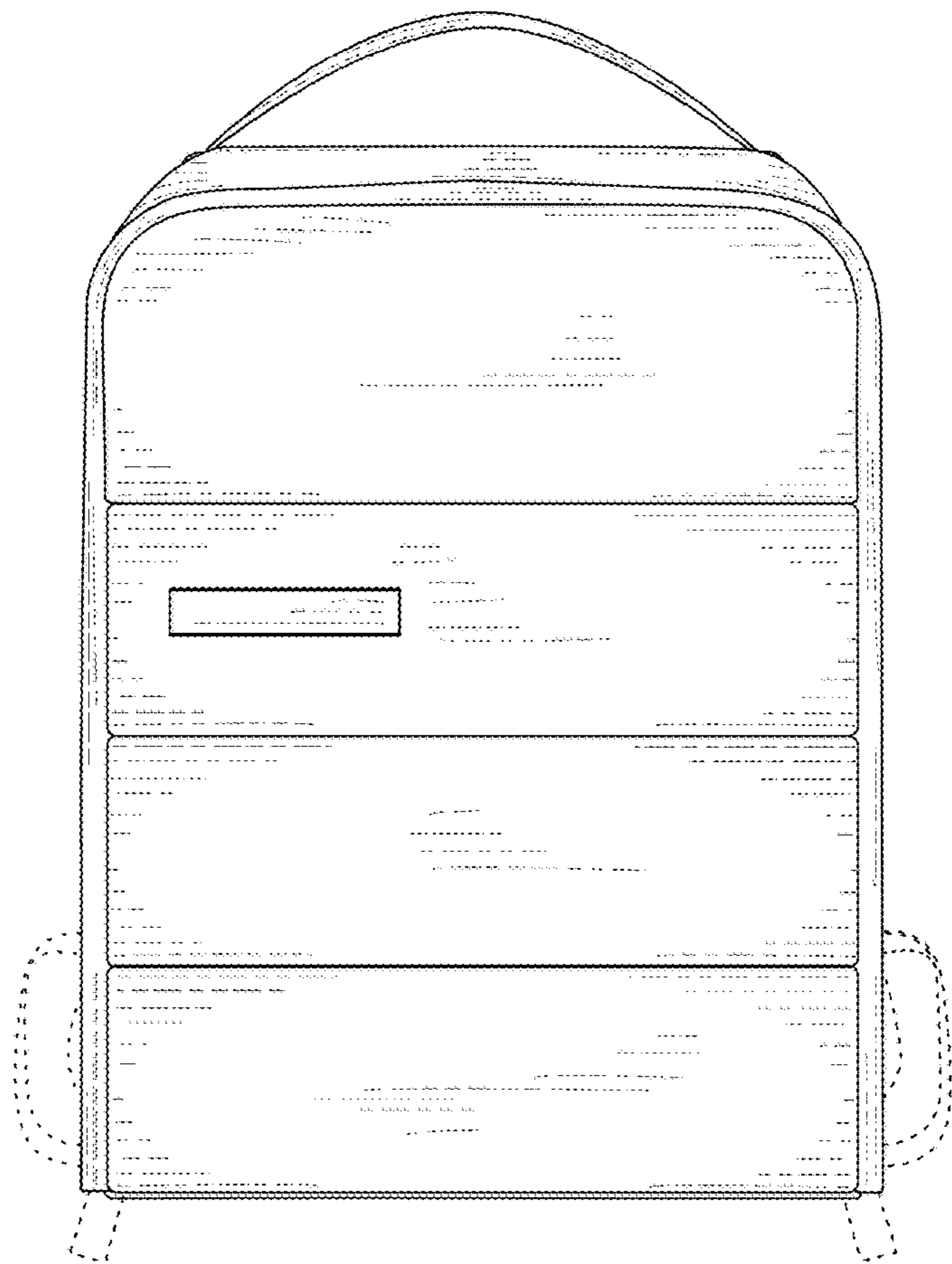


FIG. 3

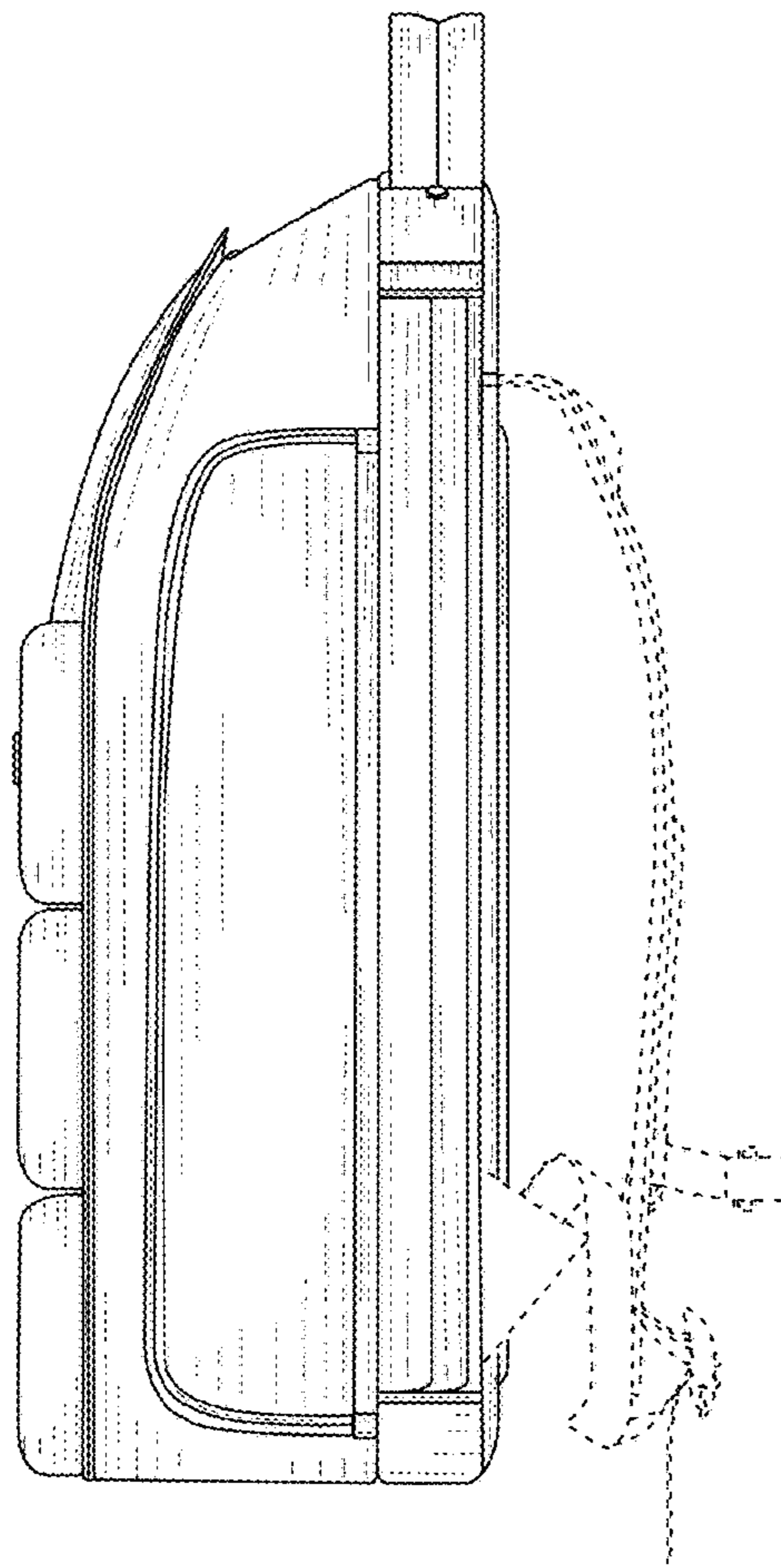


FIG. 4

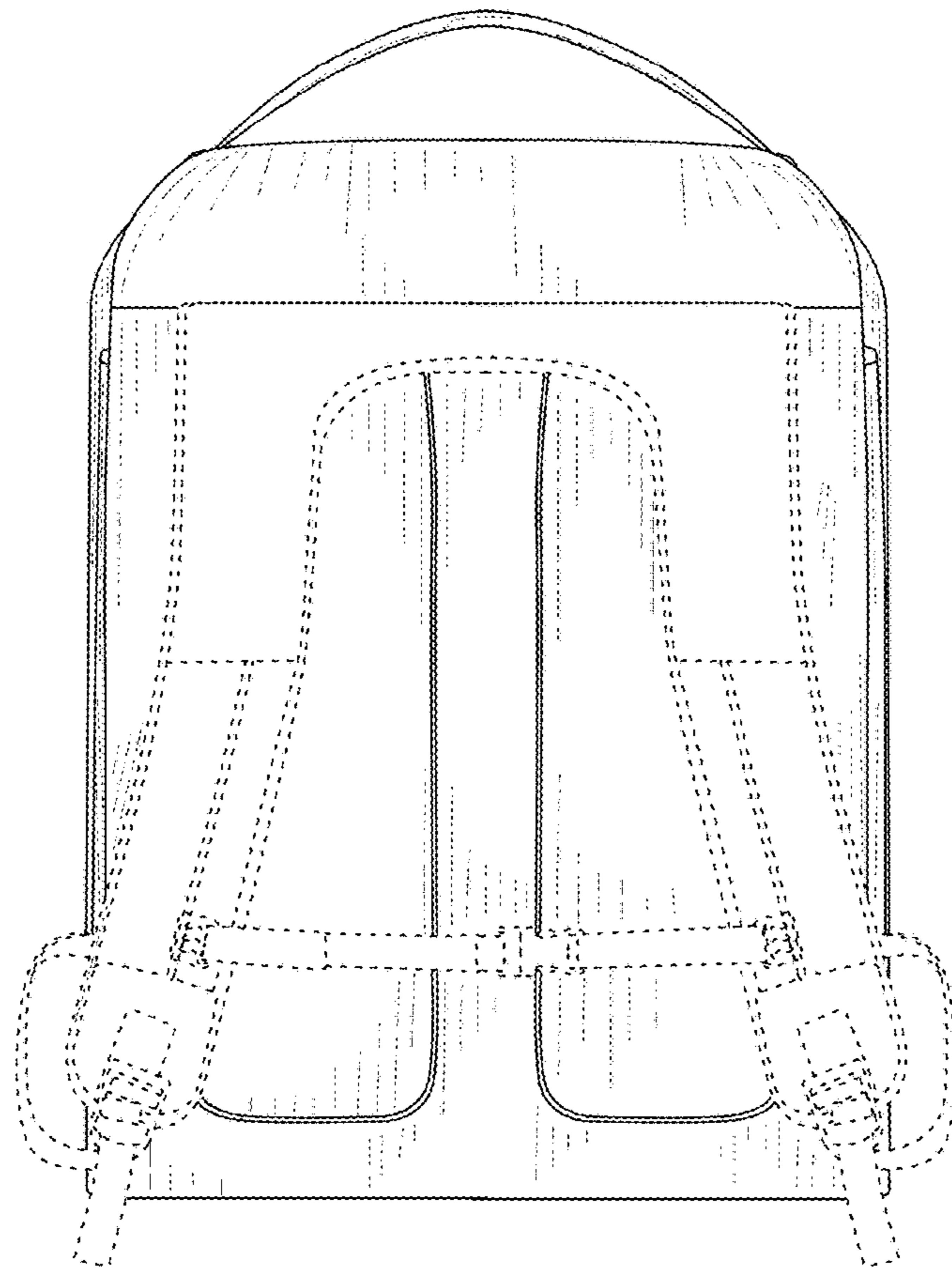


FIG. 5

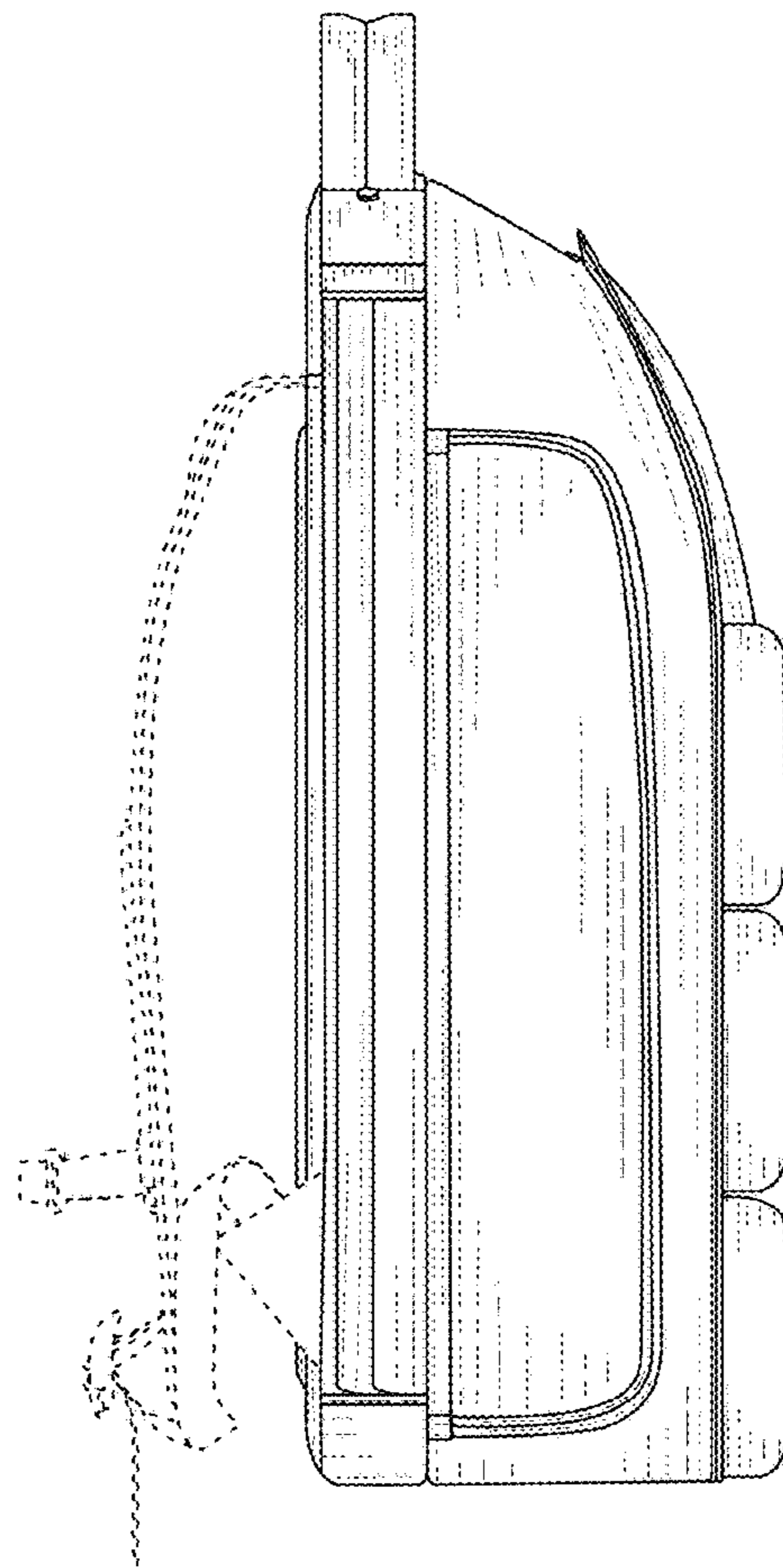


FIG. 6

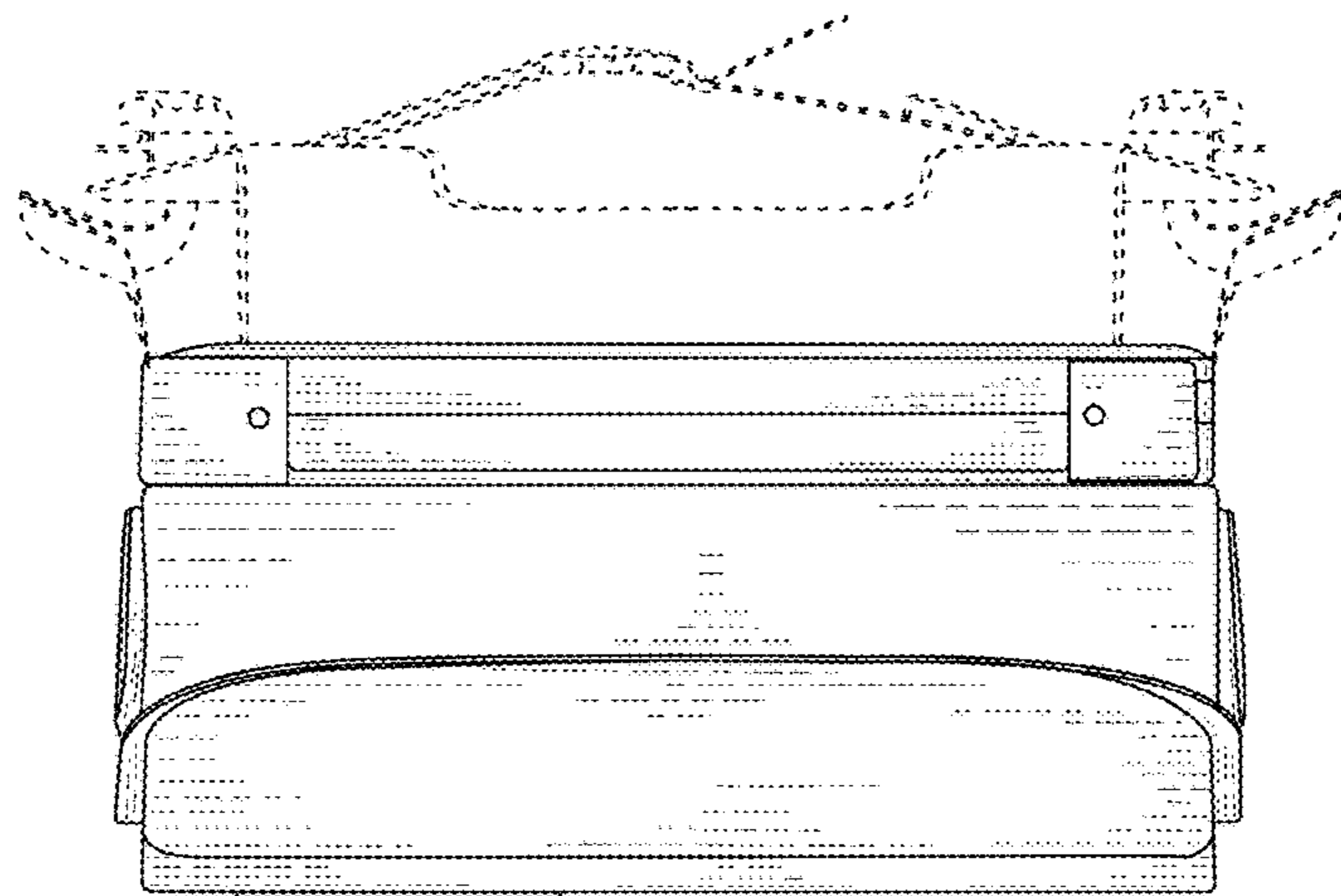


FIG. 7

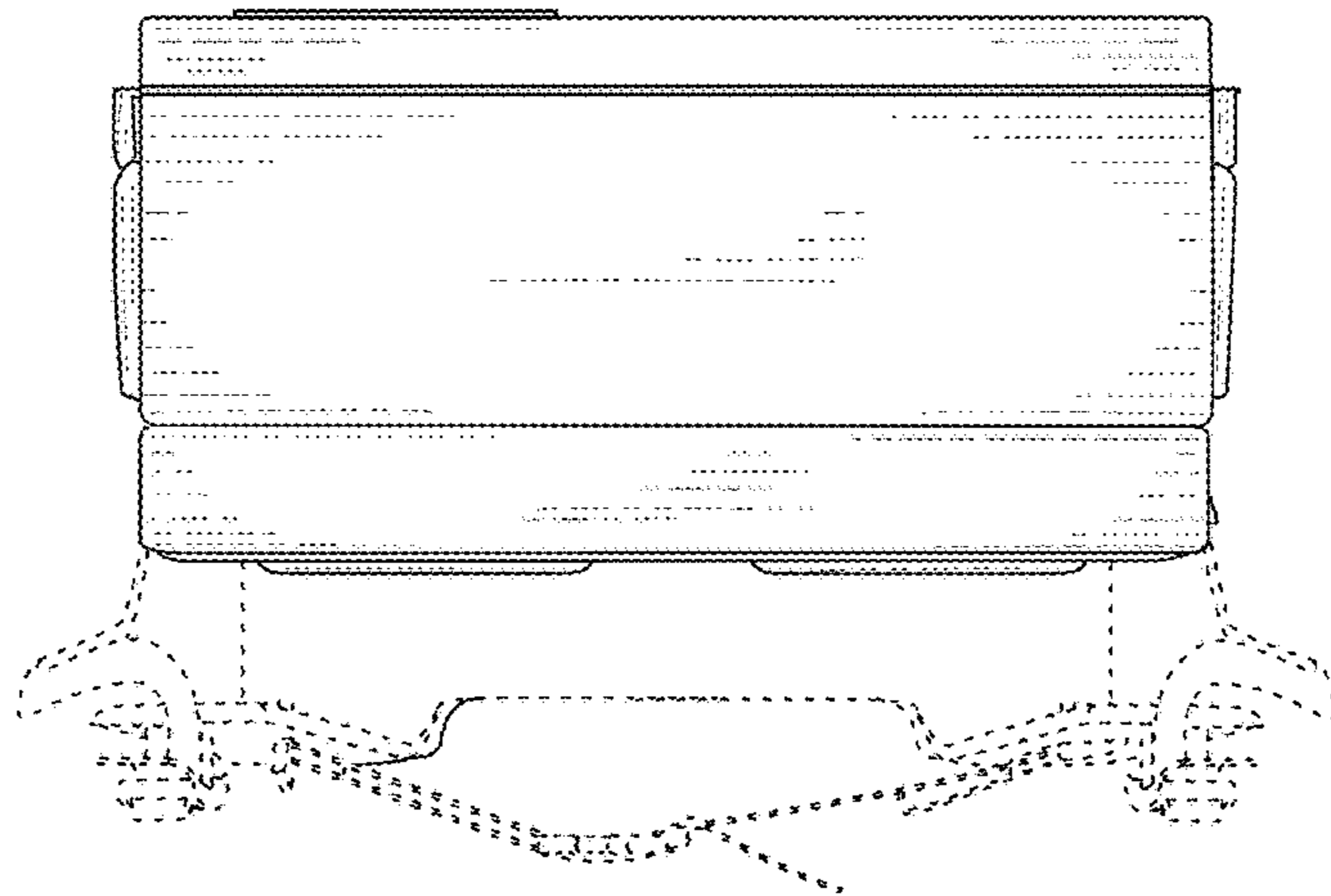


FIG. 8

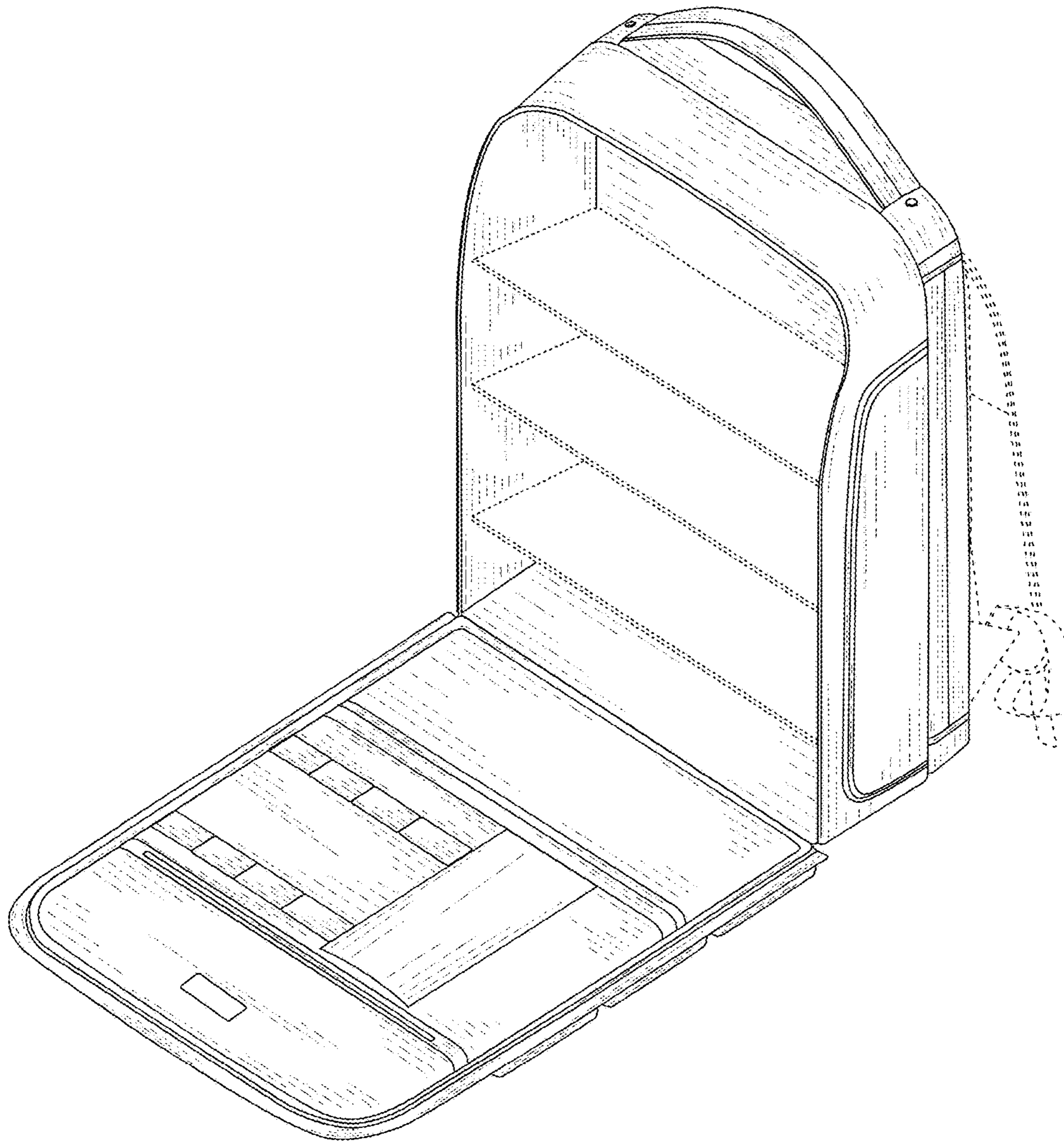


FIG. 9

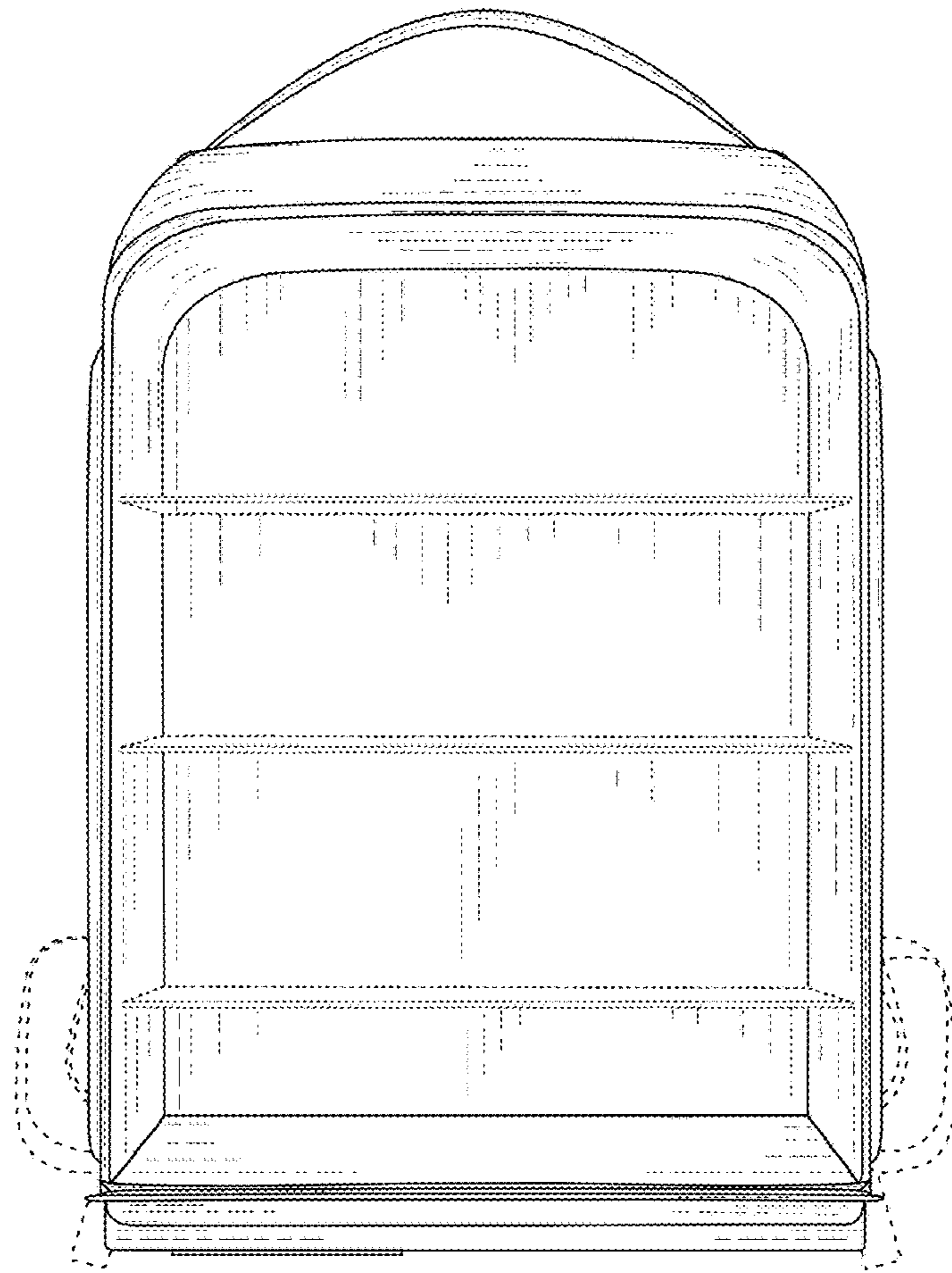


FIG. 10

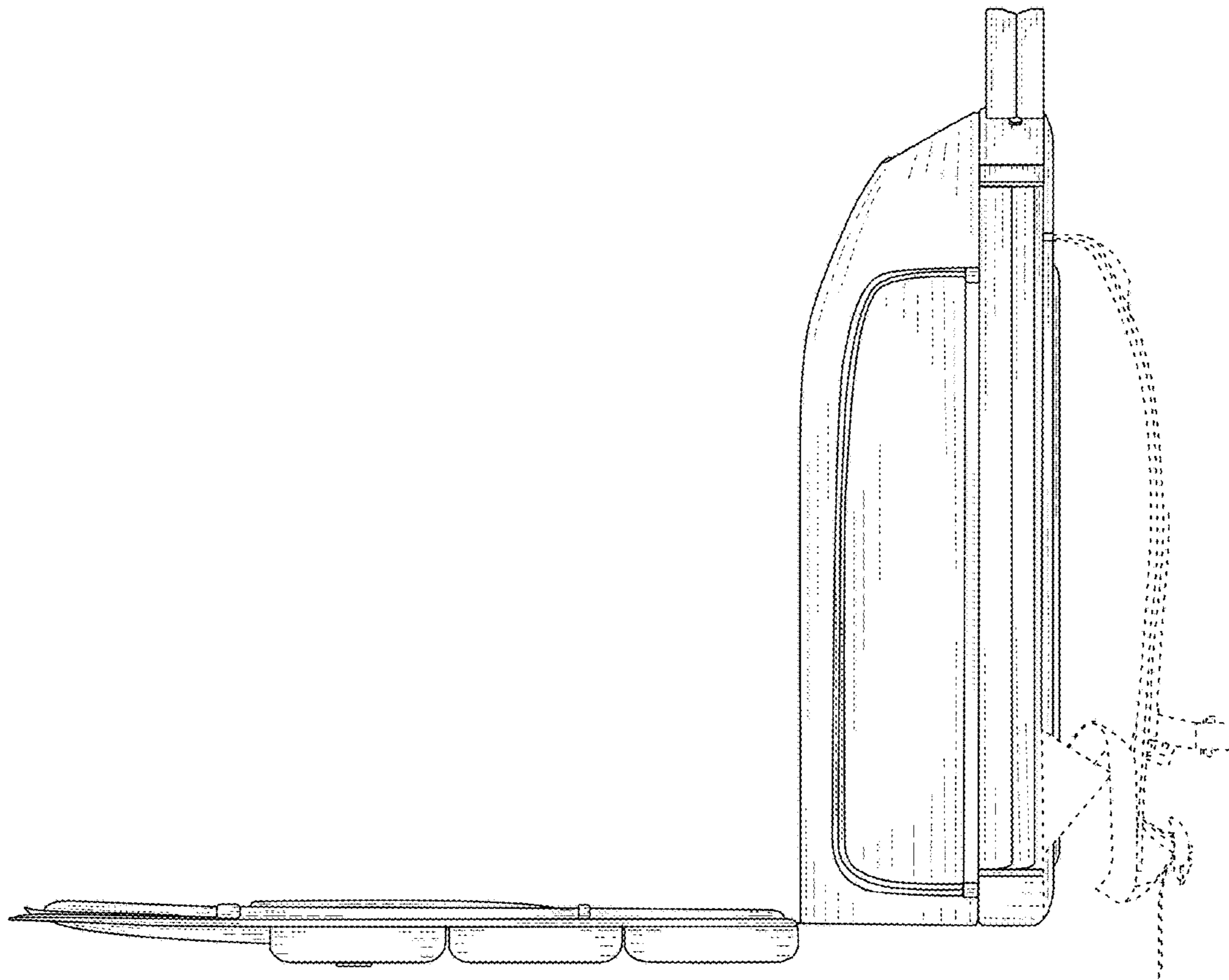


FIG. 11

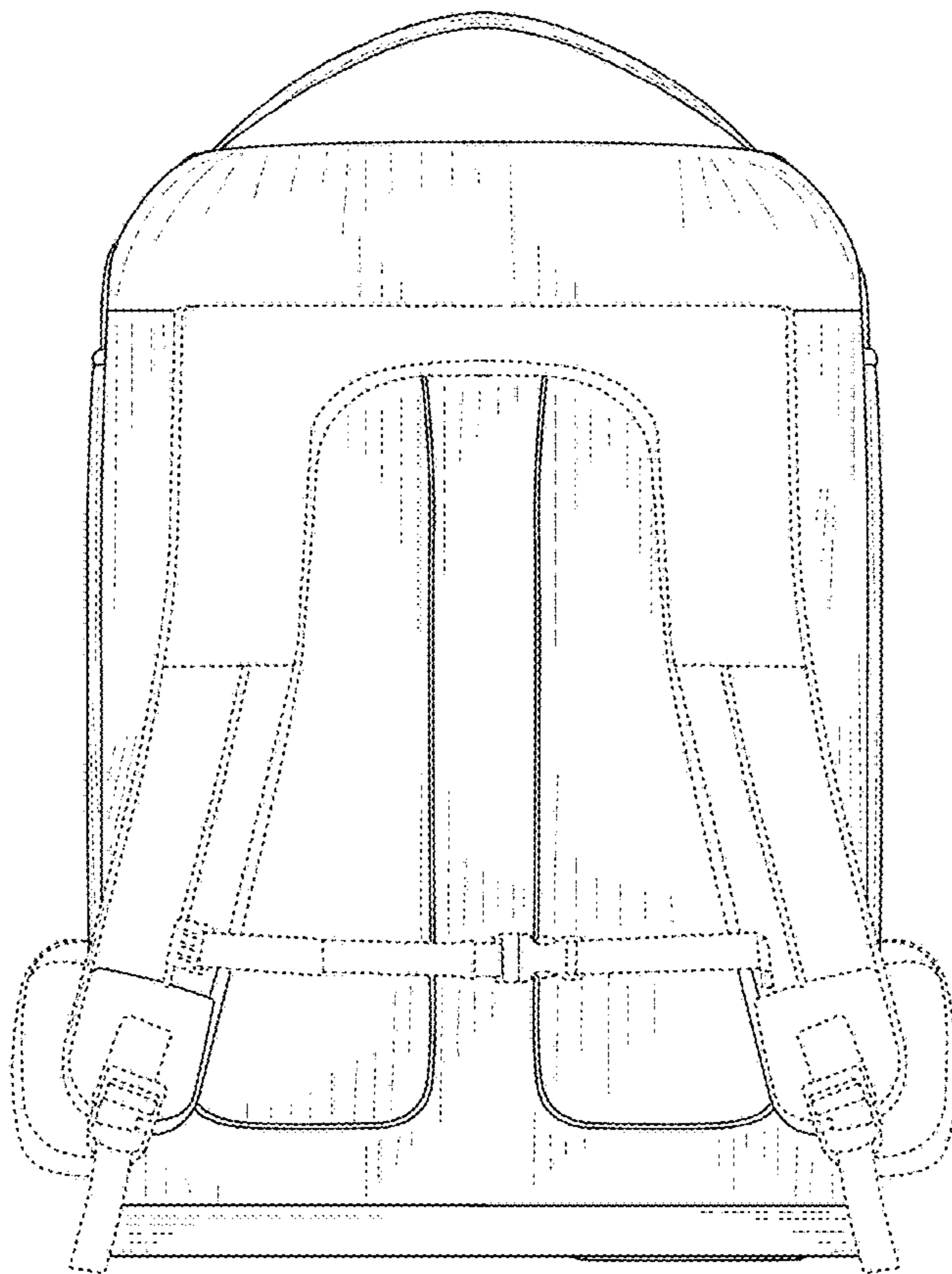


FIG. 12

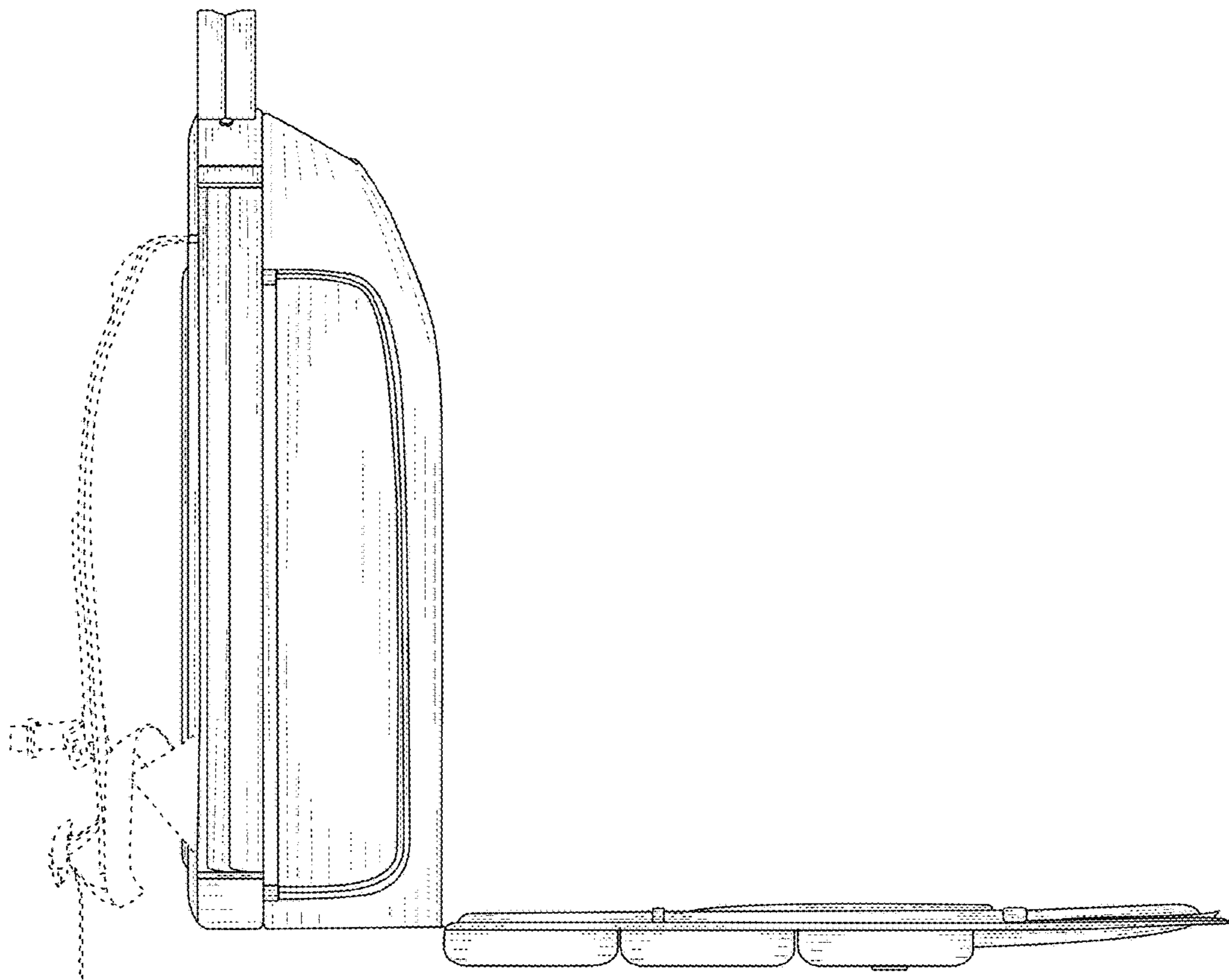


FIG. 13

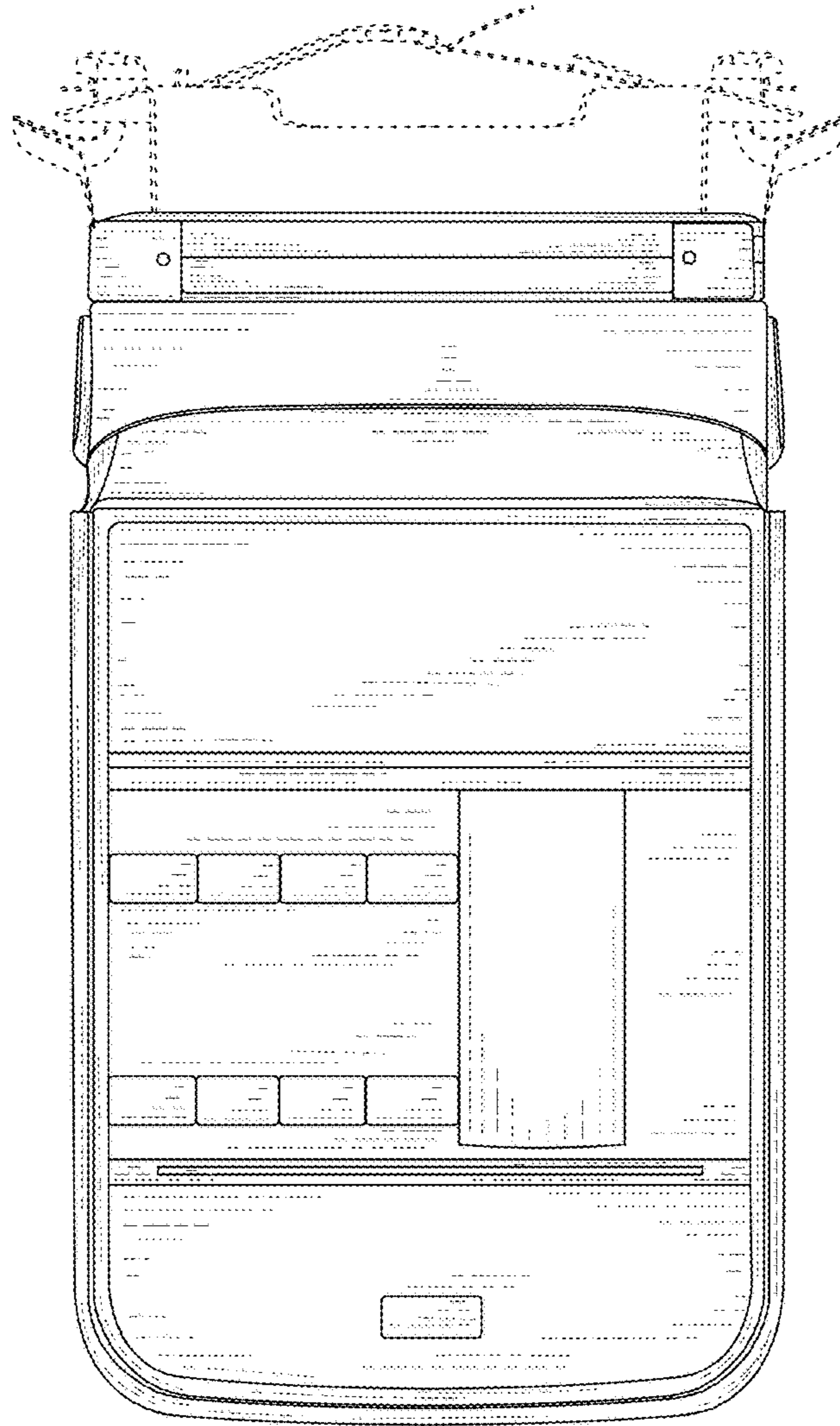


FIG. 14

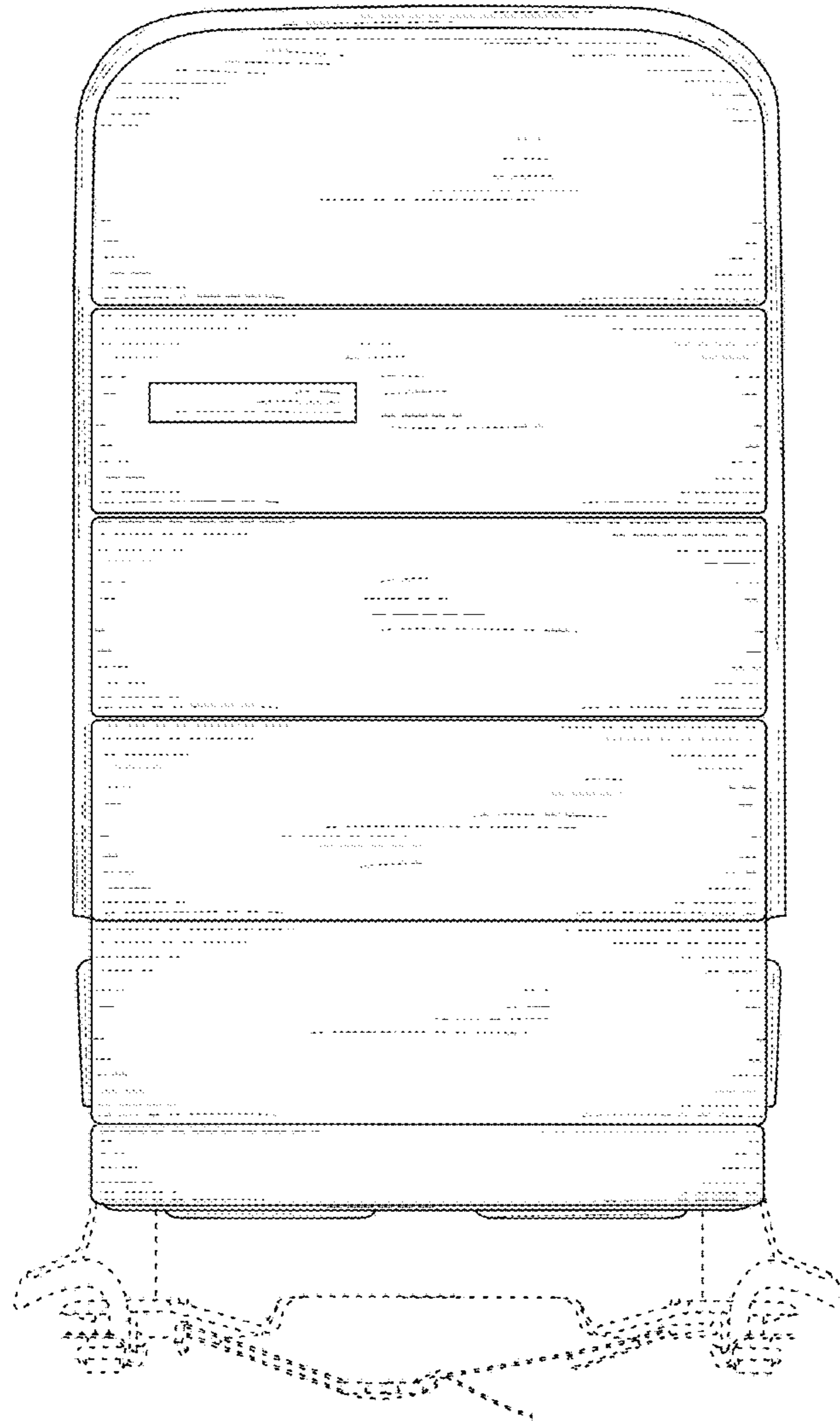


FIG. 15