



US00D853095S

(12) **United States Design Patent**  
**Enayah**

(10) **Patent No.:** **US D853,095 S**

(45) **Date of Patent:** **\*\* Jul. 9, 2019**

(54) **SHOE**

(71) Applicant: **NIKE, Inc.**, Beaverton, OR (US)

(72) Inventor: **Jalal Enayah**, Portland, OR (US)

(73) Assignee: **NIKE, Inc.**, Beaverton, OR (US)

(\*\*) Term: **15 Years**

(21) Appl. No.: **29/636,929**

(22) Filed: **Feb. 12, 2018**

(51) **LOC (11) Cl.** ..... **02-04**

(52) **U.S. Cl.**

USPC ..... **D2/953**; D2/951

(58) **Field of Classification Search**

USPC ..... D2/902, 906, 908, 916, 918, 925,  
D2/946-962, 977; 36/3 B, 22 R, 24.5,  
36/25 R, 28, 32 R, 34 R, 59 C, 67 A, 103  
CPC ..... A43B 13/00; A43B 13/02; A43B 13/023;  
A43B 13/026; A43B 13/04; A43B 13/08;  
A43B 13/10; A43B 13/12; A43B 13/14;  
A43B 13/141; A43B 13/143; A43B  
13/16; A43B 13/18; A43B 13/181; A43B  
13/187; A43B 13/189; A43B 13/20; A43B  
13/22; A43B 13/223; A43B 13/24; A43B  
13/28; A43B 13/30; A43B 13/32; A43B  
13/34; A43B 13/36

See application file for complete search history.

(56) **References Cited**

**U.S. PATENT DOCUMENTS**

D238,123 S \* 12/1975 Davis ..... D2/960  
D299,887 S \* 2/1989 Diaz ..... D2/953  
D303,451 S \* 9/1989 Weiner ..... D2/908  
5,509,218 A \* 4/1996 Arcan ..... A43B 7/142  
36/174  
5,852,887 A \* 12/1998 Healy ..... A43B 5/00  
36/88  
D435,958 S \* 1/2001 White ..... D2/946

D474,583 S \* 5/2003 Link ..... D2/951  
D476,143 S \* 6/2003 McDowell  
D536,861 S \* 2/2007 Rasmussen ..... D2/951  
D554,836 S \* 11/2007 Shaffer ..... D2/947  
D565,285 S \* 4/2008 Duffy ..... D2/951  
D567,484 S \* 4/2008 James ..... D2/923  
D577,184 S 9/2008 McMillan  
D586,093 S 2/2009 Mermet  
D614,839 S \* 5/2010 Bizzo ..... A43B 13/26  
D2/951  
D637,381 S \* 5/2011 Zappiello ..... D2/951  
D643,198 S 8/2011 Young  
D744,211 S 12/2015 Kirschner  
D776,412 S \* 1/2017 Carboy ..... D2/951  
D778,566 S 2/2017 Chang  
D780,420 S 3/2017 Williams, Jr.  
D798,037 S \* 9/2017 Montross ..... A43B 13/127  
D2/951  
D812,876 S \* 3/2018 Gibson ..... A43B 13/14  
D2/953  
D825,161 S \* 8/2018 Gibson ..... D2/953

(Continued)

*Primary Examiner* — T Chase Nelson

(74) *Attorney, Agent, or Firm* — Banner & Witcoff, Ltd.

(57) **CLAIM**

The ornamental design for a shoe, as shown and described.

**DESCRIPTION**

FIG. 1 is a front perspective view of a shoe showing my new design;

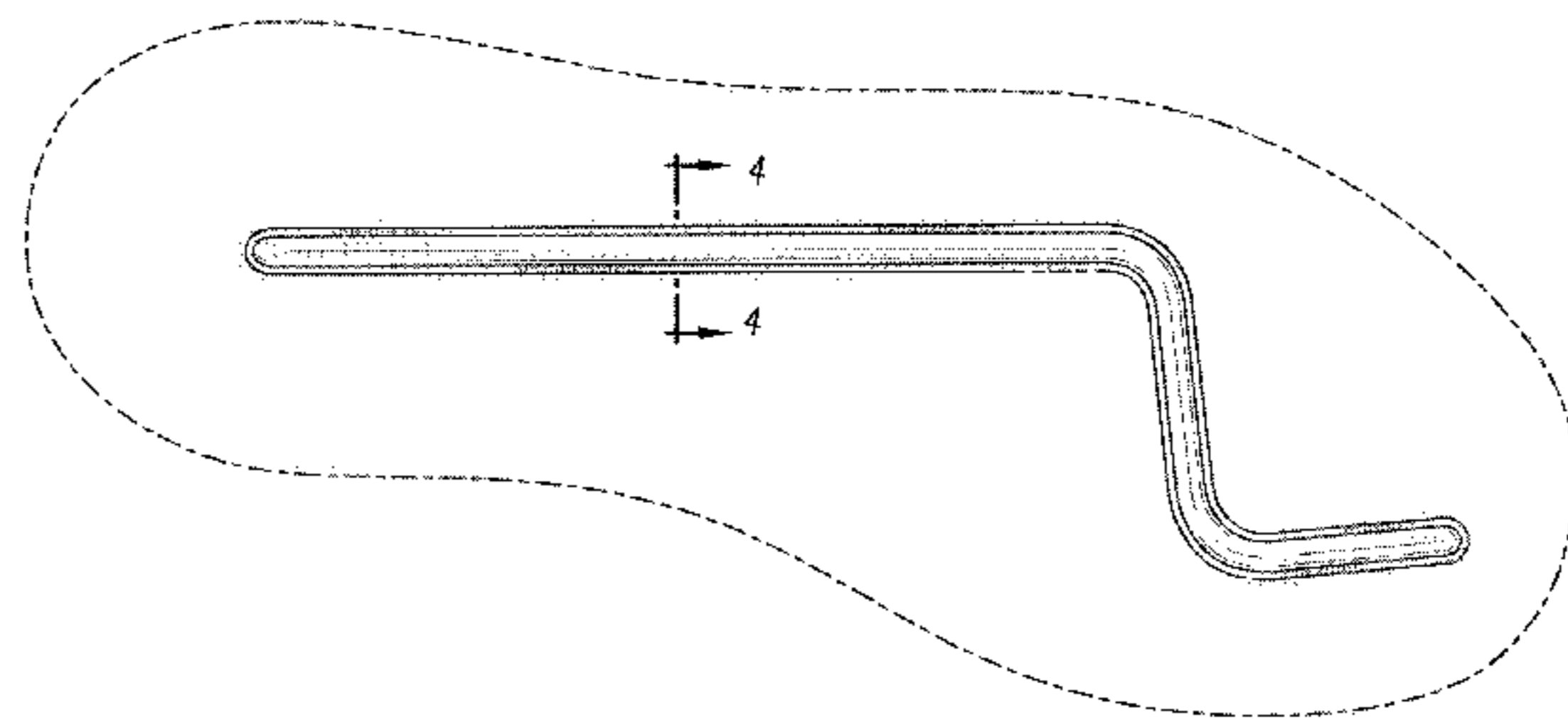
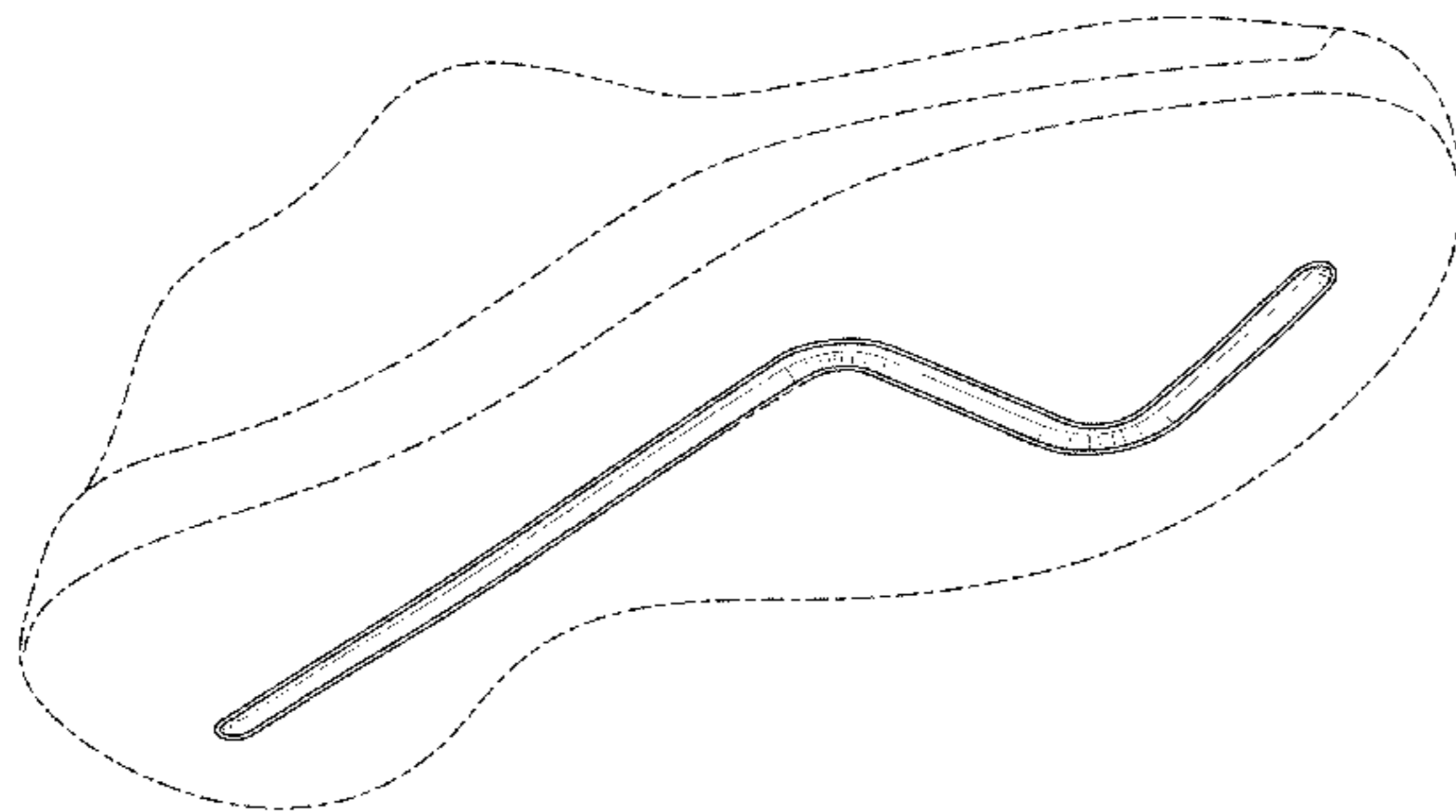
FIG. 2 is a bottom view thereof;

FIG. 3 is a rear perspective view thereof; and,

FIG. 4 is a cross section taken through line 4-4 of FIG. 2.

The small segment of uneven-length broken lines near the shoe forefoot defines a boundary of the claimed design and forms no part thereof. The broken lines showing the remainder of the shoe are for environmental purposes only and form no part of the claimed design.

**1 Claim, 4 Drawing Sheets**



(56)

**References Cited**

U.S. PATENT DOCUMENTS

D834,800 S \* 12/2018 Raysse ..... D2/947  
D836,310 S \* 12/2018 Stauffer ..... D2/951  
2012/0260535 A1\* 10/2012 Tsang ..... A43B 13/26  
36/32 R  
2014/0259785 A1\* 9/2014 Lester ..... A43B 13/026  
36/102  
2015/0135558 A1\* 5/2015 Inonnata ..... A43B 13/14  
36/25 R  
2015/0351492 A1\* 12/2015 Dombrow ..... A43B 13/122  
36/102  
2016/0353835 A1\* 12/2016 Hesterberg ..... A43B 13/141  
2018/0020766 A1\* 1/2018 Edwards ..... A43B 3/26  
36/97  
2018/0199666 A1\* 7/2018 Moriyasu ..... A43B 13/16  
2018/0338579 A1\* 11/2018 Cortez ..... A43B 13/127

\* cited by examiner

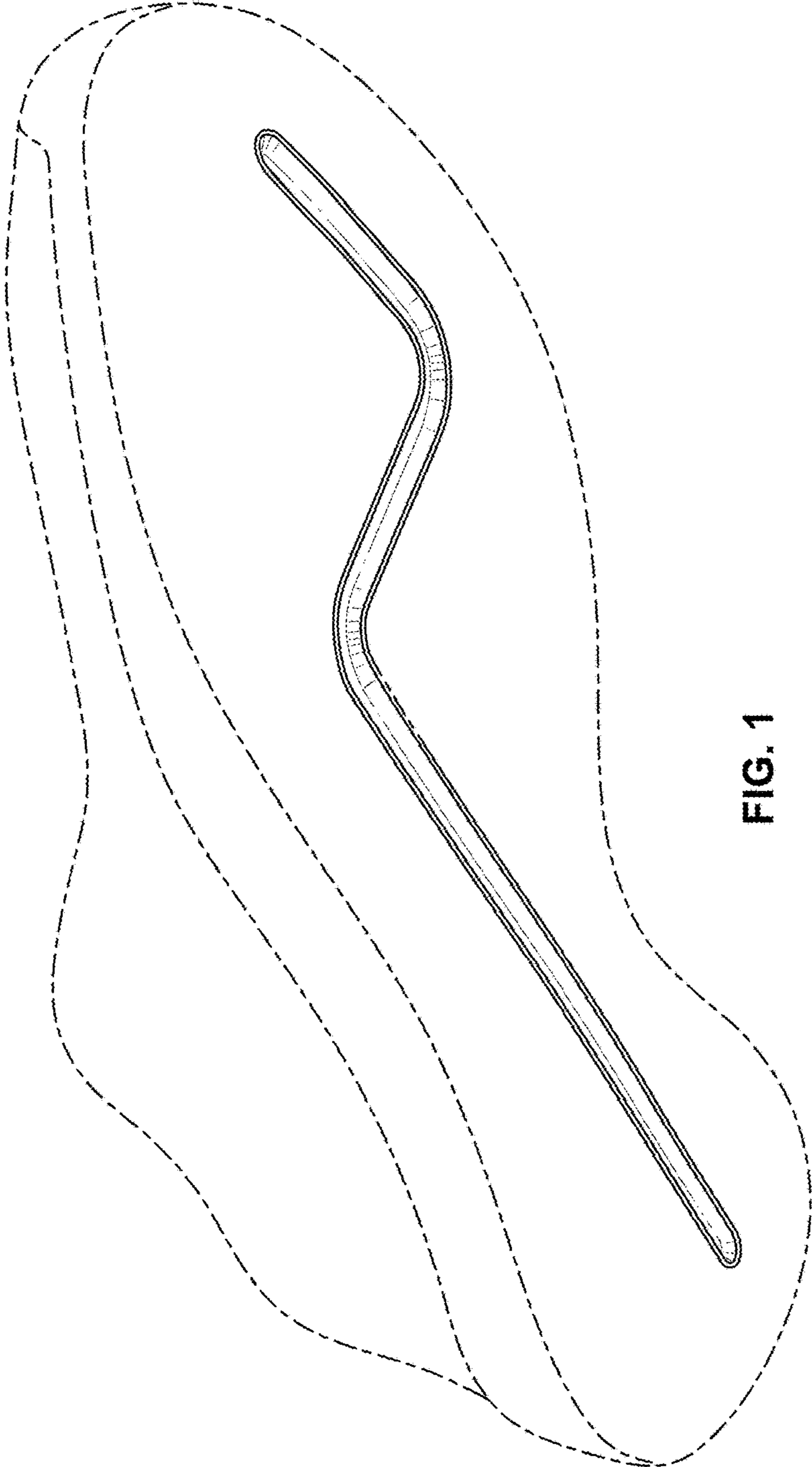


FIG. 1

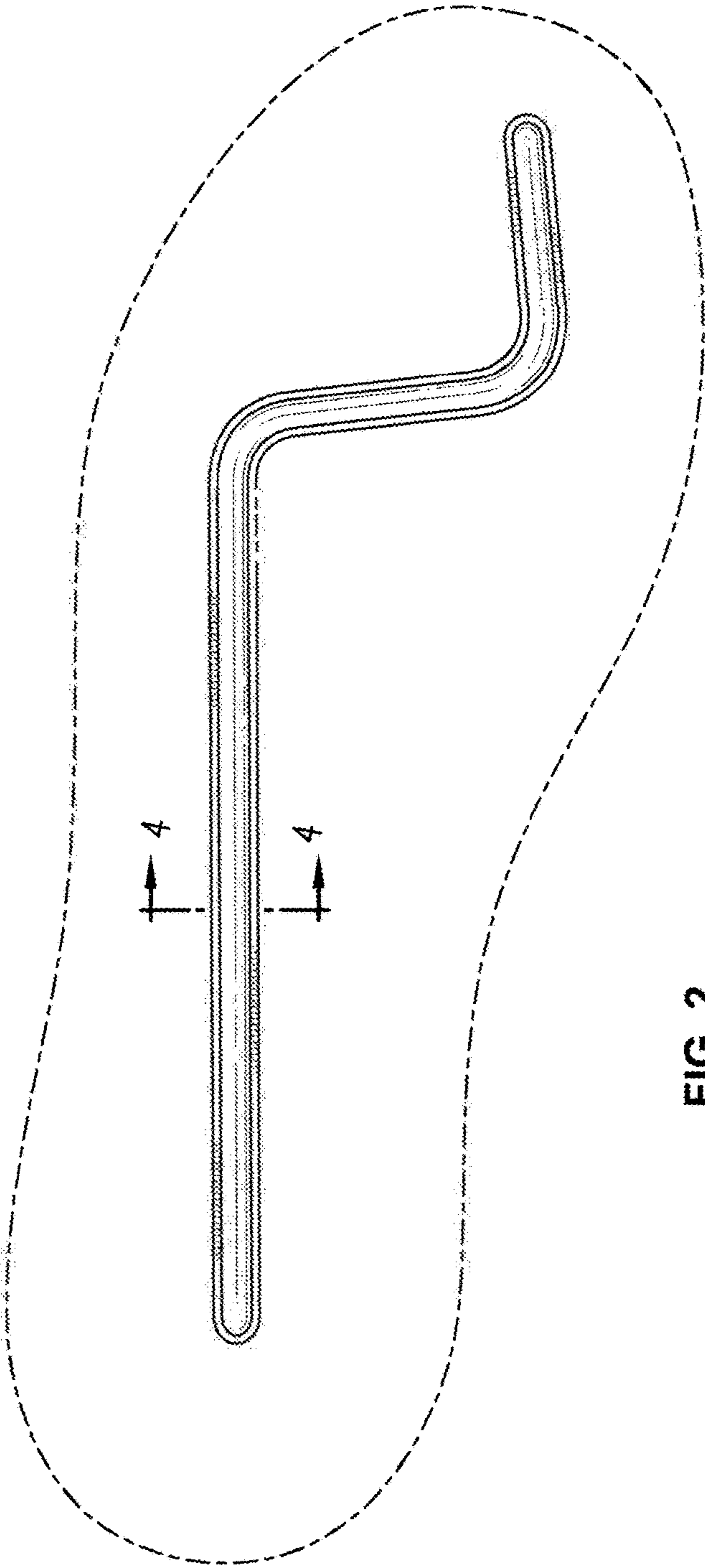


FIG. 2

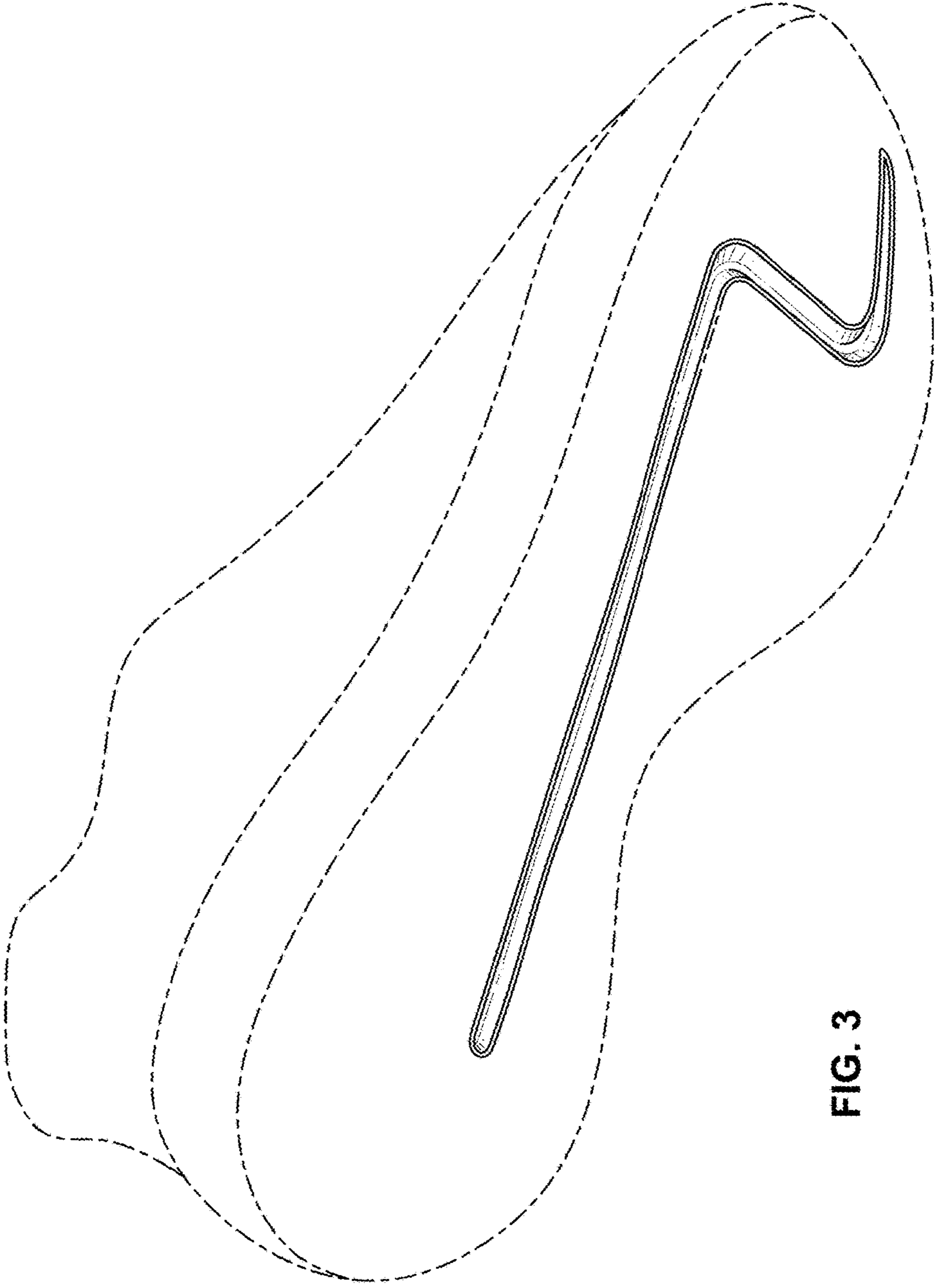


FIG. 3

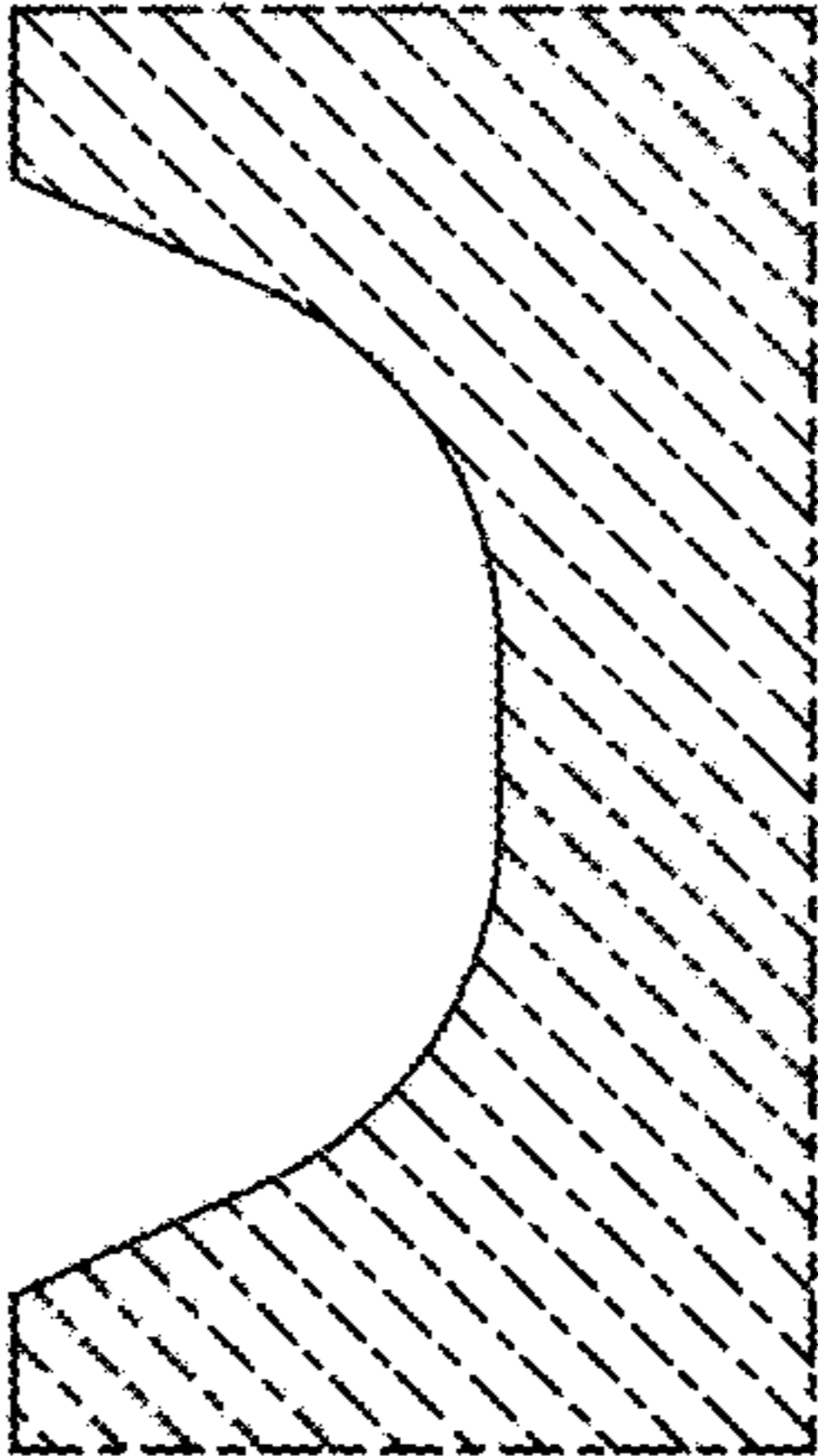


FIG. 4