



US00D853087S

(12) **United States Design Patent** (10) **Patent No.:** **US D853,087 S**
Yamamoto et al. (45) **Date of Patent:** **** Jul. 9, 2019**

(54) **ADJUSTABLE FABRIC TAPE FOR CLOTHING**

A44B 17/0058; A44B 17/0035; A44B 17/0041

See application file for complete search history.

(71) Applicants: **MORITO CO., LTD.**, Osaka (JP);
AMAGASAKI SEIKAN CO., LTD.,
Hyogo (JP)

(56) **References Cited**

U.S. PATENT DOCUMENTS

2,870,502 A * 1/1959 Sasse B60R 7/10
24/17 A

3,210,820 A * 10/1965 Humiston A44B 17/0029
24/578.12

D317,251 S * 6/1991 Liang D8/394
(Continued)

(72) Inventors: **Sayaka Yamamoto**, Osaka (JP);
Kayoko Hanaoka, Osaka (JP)

Primary Examiner — Jennifer L Watkins

(73) Assignees: **MORITO CO., LTD.**, Osaka (JP);
AMAGASAKI SEIKAN CO., LTD.,
Hyogo (JP)

(74) *Attorney, Agent, or Firm* — Bacon & Thomas, PLLC

(**) Term: **15 Years**

(57) **CLAIM**

(21) Appl. No.: **35/502,765**

The ornamental design for an adjustable fabric tape for clothing, as shown and described.

(22) Filed: **Oct. 4, 2016**

DESCRIPTION

(80) **Hague Agreement Data**

Int. Filing Date: **Oct. 4, 2016**

Int. Reg. No.: **DM/095393**

Int. Reg. Date: **Oct. 4, 2016**

Int. Reg. Pub. Date: **Apr. 7, 2017**

1. Adjustable fabric tape for clothing

1.1: Top

1.2.: Bottom

1.3: Front

1.4: Back

1.5: Left

1.6: Right

(51) **LOC (11) Cl.** **02-02**

1.7: Enlarged cross-sectional view taken at the center of the fastener showing one member of the fastener.

(52) **U.S. Cl.**

USPC **D2/853**

1.8: Enlarged cross-section view taken at the center of the fastener showing the other member of the fastener.

(58) **Field of Classification Search**

USPC D2/702, 703, 705, 706, 707, 853, 891,
D2/625, 639, 999, 859; D8/356;

1.9: Folded front view

1.10: Enlarged cross-sectional view taken at the center of the fastener showing the fastener members engaged.

D11/220, 226

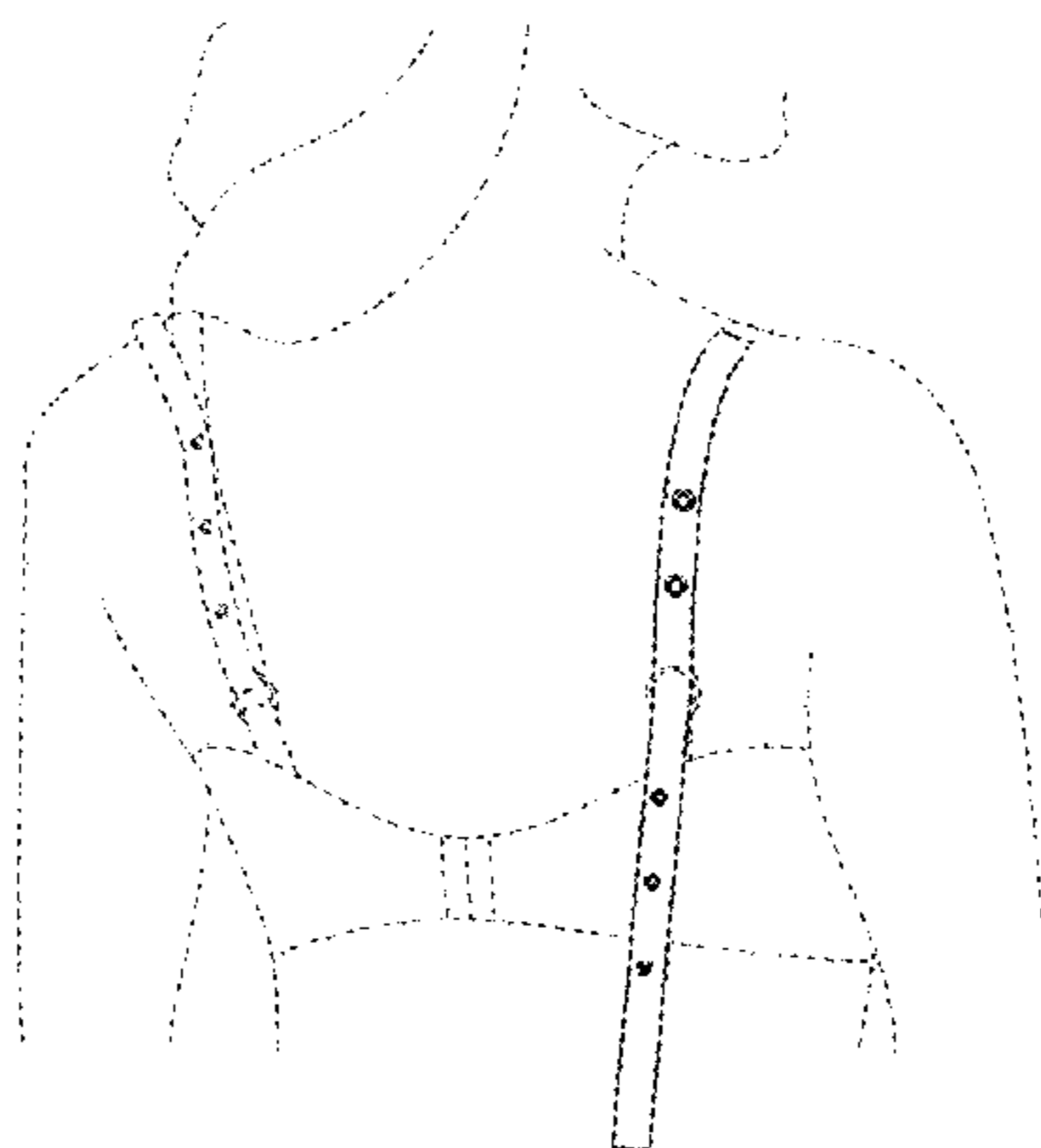
CPC Y10T 24/32; Y10T 24/2708; Y10T
29/49826; Y10T 24/14; Y10T 24/1498;

1.11: Perspective view of the fabric tape in use. The claim is directed to the ornamental design for a single instance of the fabric tape and a second instance of the fabric tape is shown in this view for showing it in use only.

Y10T 29/4902; Y10T 29/49904; H01F
7/0284; A44B 17/0029; A44B 18/00;

The patterns shown in the cross-sectional views show internal subject matter and form no part of the claimed design.

(Continued)



The broken lines in the figures are for the purpose of illustrating environment and form no part of the claim. The face sides of the male and female members are provided on the opposite sides of the fabric; when in use, the tape is folded over to join the male and female members.

1 Claim, 11 Drawing Sheets

(56)

References Cited

U.S. PATENT DOCUMENTS

D324,193 S * 2/1992 Wen-Long D11/200
 D353,033 S * 12/1994 Johanson D29/100
 D377,919 S * 2/1997 Singer D11/222
 D383,888 S * 9/1997 Smith D2/624
 D407,886 S * 4/1999 Marable D2/639
 6,314,621 B1 * 11/2001 Kawahara A41H 37/001
 24/114.4
 6,353,978 B1 * 3/2002 Kawahara A44B 17/0029
 24/114.05
 6,401,305 B1 * 6/2002 Joseph F16L 3/233
 24/16 R
 6,481,064 B2 * 11/2002 Kawahara A44B 17/0029
 24/108
 6,557,232 B2 * 5/2003 Fildan A41F 1/006
 24/114.6

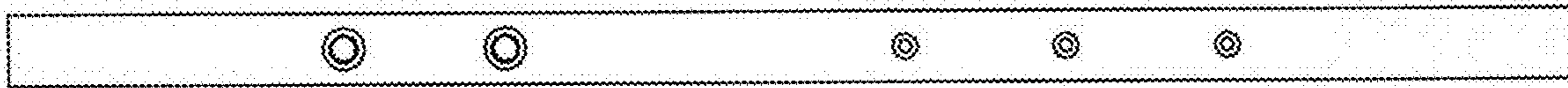
D482,298 S * 11/2003 Matsui D11/220
 D495,972 S * 9/2004 Pettingill D11/220
 D517,947 S * 3/2006 Hollingworth D11/220
 7,238,081 B2 * 7/2007 Fildan A41C 3/12
 450/86
 D567,630 S * 4/2008 Brassard D12/415
 D613,479 S * 4/2010 Farmer D2/853
 D660,740 S * 5/2012 Cullen D11/3
 D675,123 S * 1/2013 Nunez D11/3
 D678,816 S * 3/2013 Chan D11/220
 D689,395 S * 9/2013 Chan D11/220
 D693,992 S * 11/2013 Dinunzio D11/220
 D771,914 S * 11/2016 Cho D2/891
 D773,780 S * 12/2016 Canady D2/853
 D796,369 S * 9/2017 Lambert D11/5
 D808,773 S * 1/2018 Rothbaum D8/356
 9,877,561 B2 * 1/2018 Syms A45D 8/36
 D824,244 S * 7/2018 Rothbaum D8/356
 2003/0115727 A1 * 6/2003 Yokozeki A41F 1/006
 24/591.1
 2003/0200633 A1 * 10/2003 Kimoto A44B 17/0035
 24/114.4
 2004/0003487 A1 * 1/2004 Reiter A41F 1/002
 24/303
 2012/0324631 A1 * 12/2012 Peper A41F 15/02
 2/244
 2017/0156450 A1 * 6/2017 Hutsenpiller A44B 17/0041

* cited by examiner

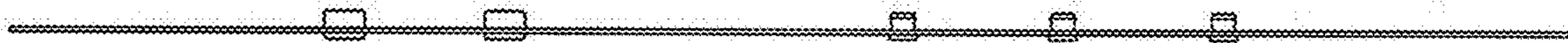
1.1



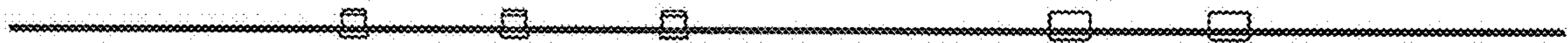
1.2



1.3



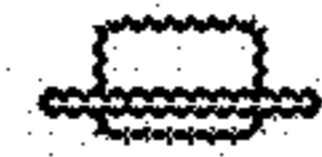
1.4



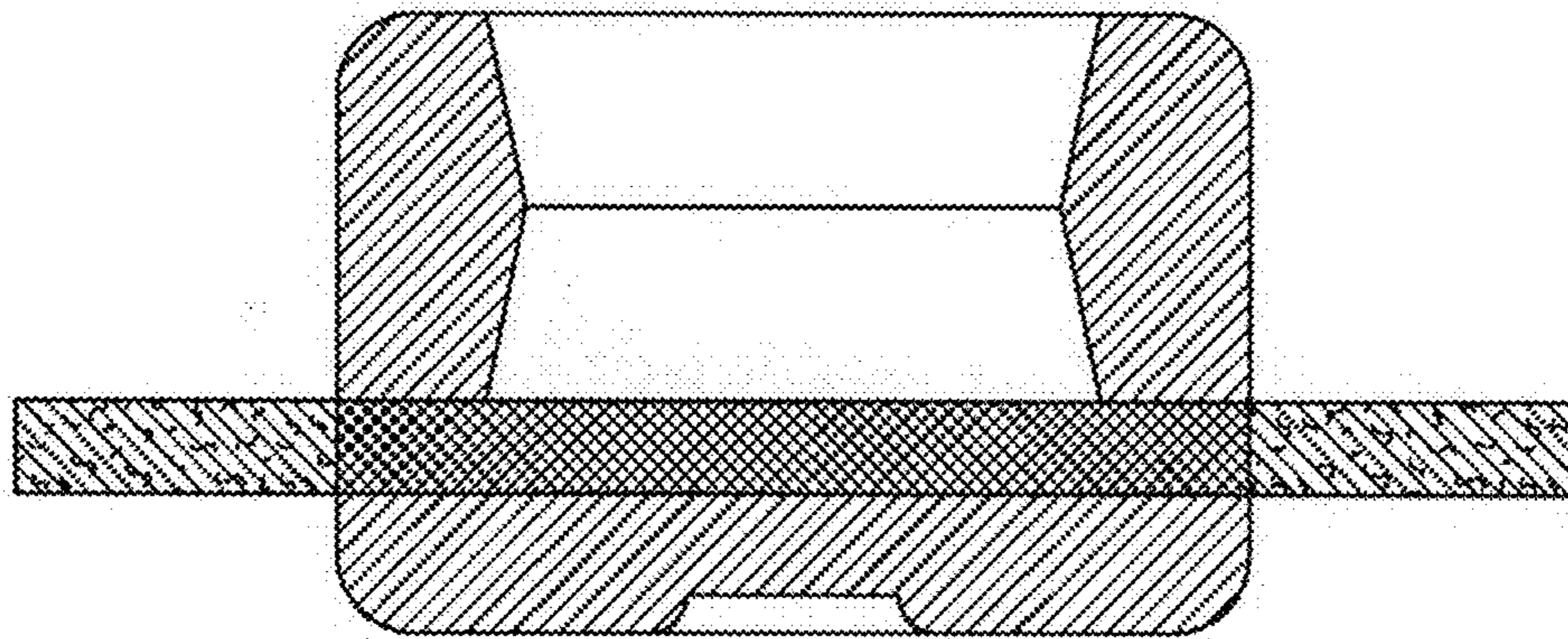
1.5



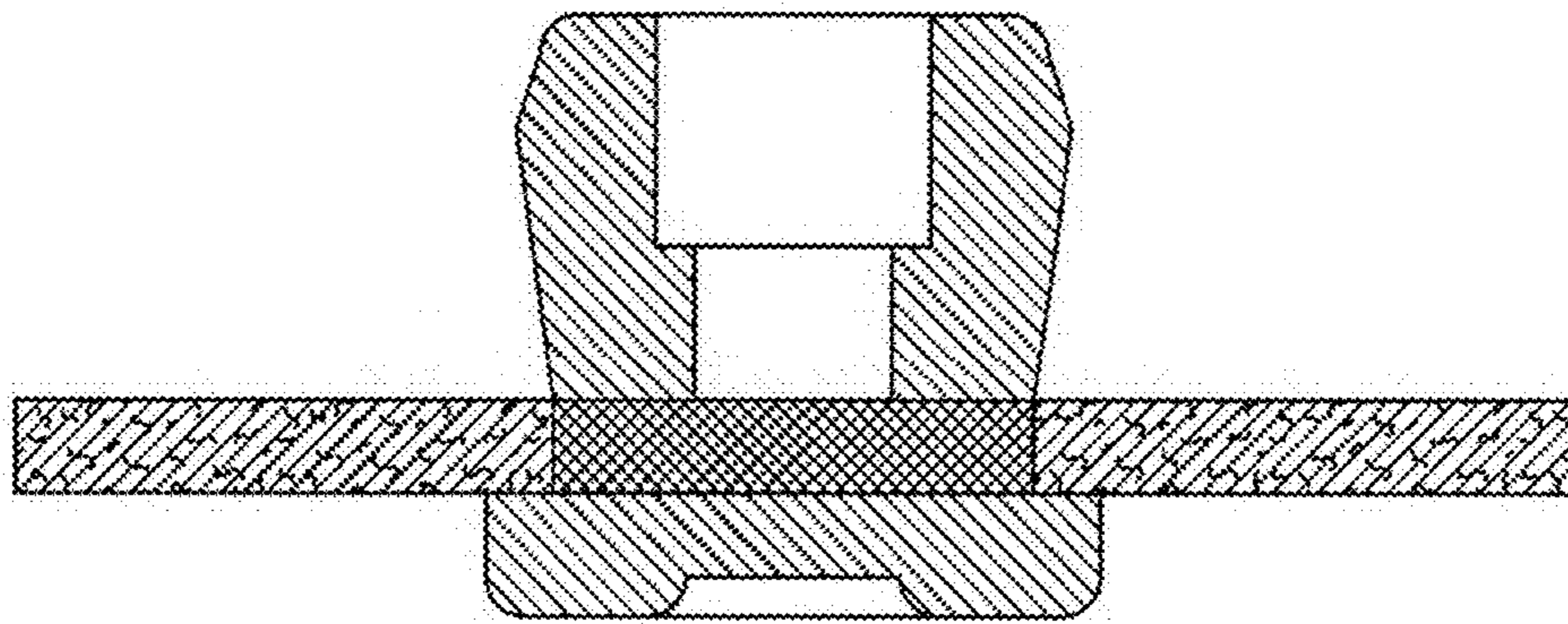
1.6



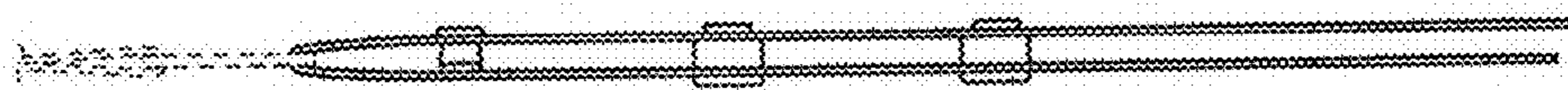
1.7



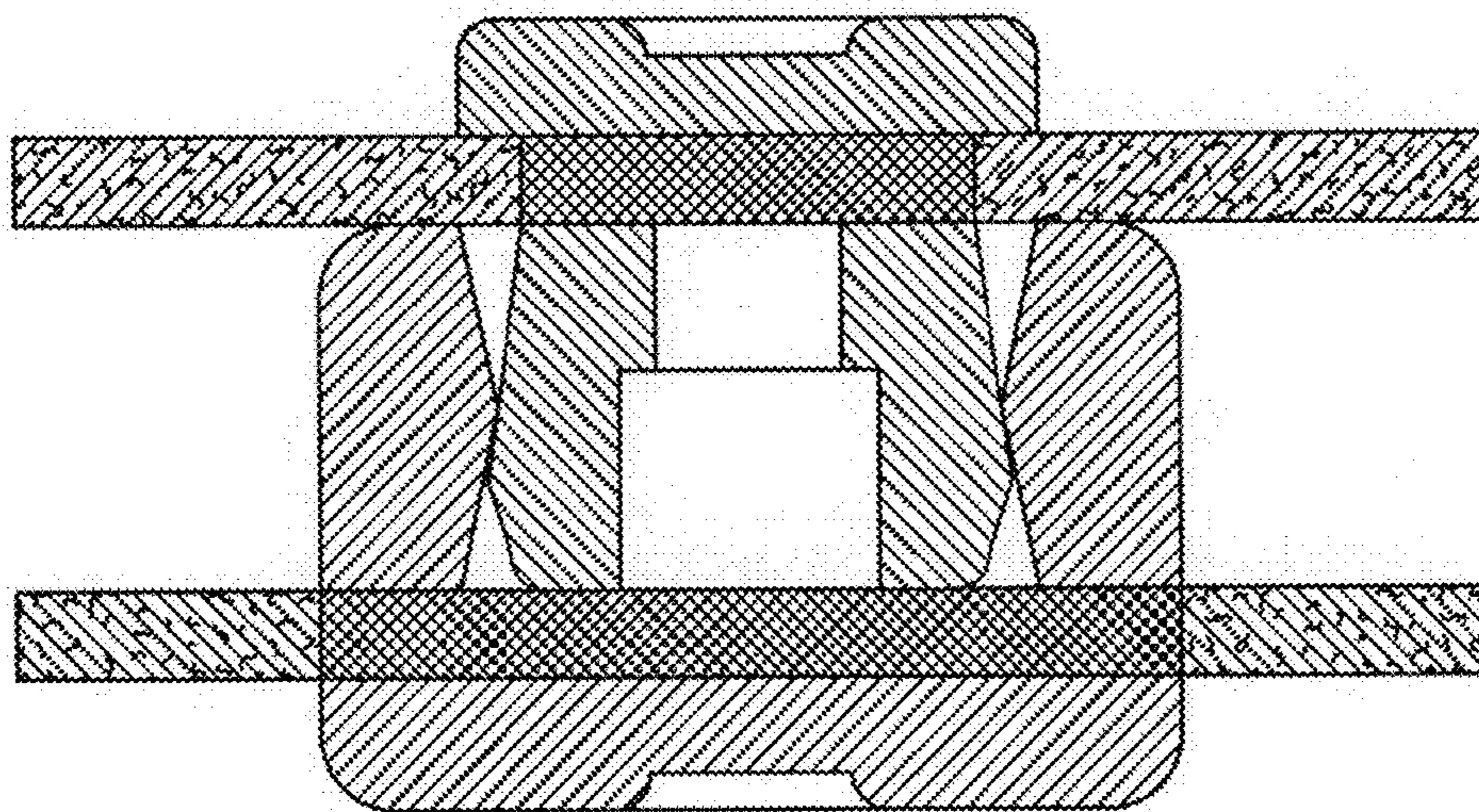
1.8



1.9



1.10



1.11

