



US00D853085S

(12) **United States Design Patent**
Schofield

(10) **Patent No.:** **US D853,085 S**

(45) **Date of Patent:** **** Jul. 9, 2019**

(54) **SHORTS**

(71) Applicant: **CIE Denim**, New York, NY (US)

(72) Inventor: **Kelcie Schofield**, New York, NY (US)

(73) Assignee: **CIE DENIM**, New York, NY (US)

(**) Term: **15 Years**

(21) Appl. No.: **29/644,329**

(22) Filed: **Apr. 17, 2018**

(51) **LOC (11) Cl.** **02-02**

(52) **U.S. Cl.**
USPC **D2/742; D2/728**

(58) **Field of Classification Search**
USPC D2/742, 712, 738, 728
CPC A41D 1/06; A41D 1/089
See application file for complete search history.

(56) **References Cited**

U.S. PATENT DOCUMENTS

D219,948 S *	2/1971	Lawson	D2/738
D352,814 S *	11/1994	Sherman	D2/731
D414,012 S *	9/1999	Tobias	D2/738
D507,860 S *	8/2005	Terry	D2/869
D569,581 S *	5/2008	Stogner	D2/731
D588,336 S *	3/2009	Fazeli	D2/742
D616,630 S *	6/2010	Christiansen	D2/742
D658,354 S *	5/2012	Huvar	D2/738
D730,621 S *	6/2015	Boyle	D2/738
D758,694 S *	6/2016	Rollins	D2/742
D777,405 S *	1/2017	Bacal	D2/742
D798,540 S *	10/2017	Foland	D2/738
D801,001 S *	10/2017	Keys	D2/742
D803,523 S *	11/2017	Wang	D2/742
D811,047 S *	2/2018	Posada	D2/742
2017/0042257 A1 *	2/2017	Carrer	A41D 1/06

* cited by examiner

Primary Examiner — Robin V Webster

Assistant Examiner — James C Thorn, Sr.

(74) *Attorney, Agent, or Firm* — Troutman Sanders LLP;
Alexis N. Simpson; Micah B. Hensley

(57) **CLAIM**

The ornamental design for shorts, as shown and described.

DESCRIPTION

FIG. 1 is a front perspective view of shorts showing my new design.

FIG. 2 is a front view thereof.

FIG. 3 is a rear view thereof.

FIG. 4 is a right view thereof.

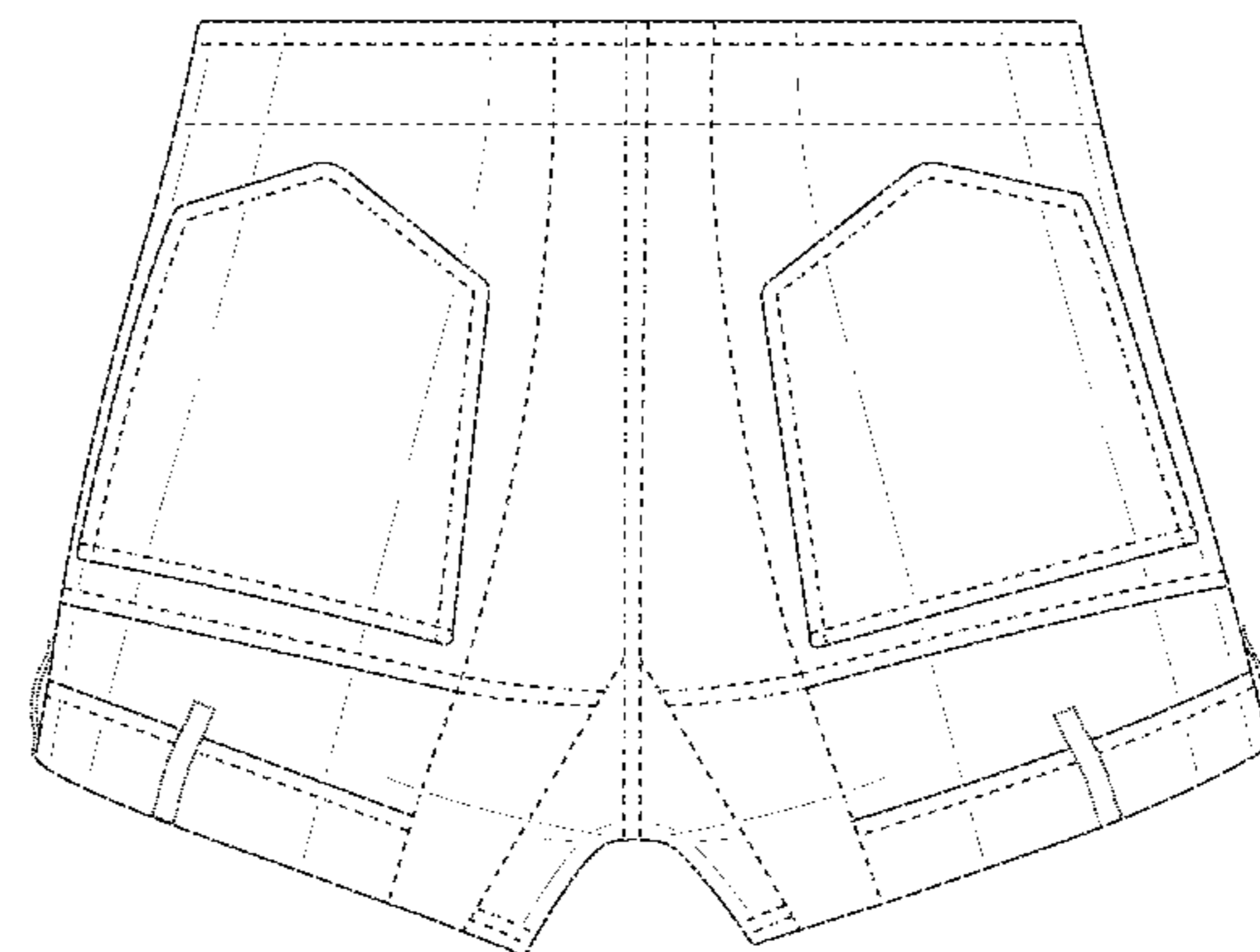
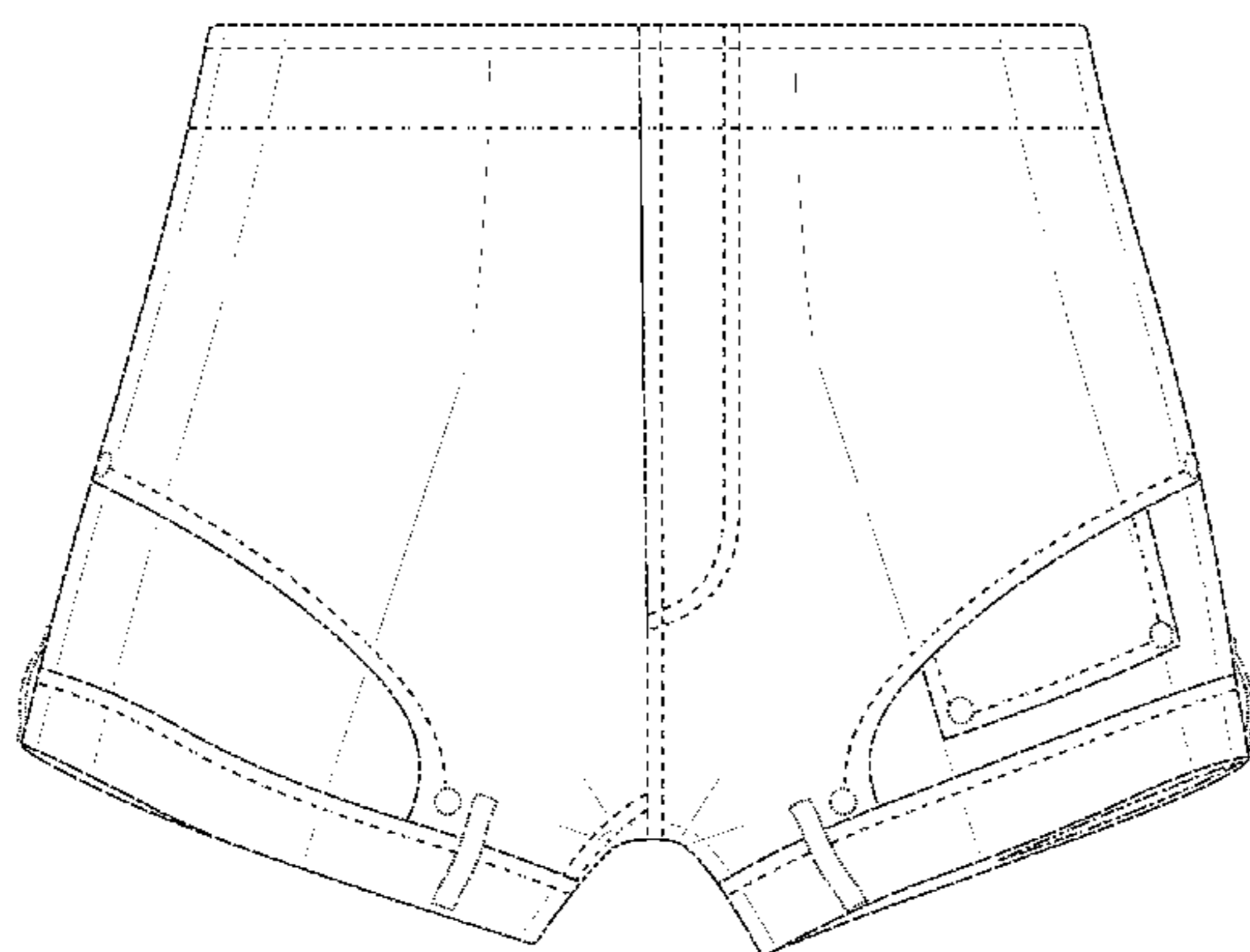
FIG. 5 is a left view thereof.

FIG. 6 is a top view thereof; and,

FIG. 7 is a bottom view thereof.

The close-spaced broken lines shown for the button, pocket rivets, and belt loops in the Figures represent unclaimed subject matter and form no part of the claimed design. The wide-spaced broken lines in the Figures (for instance, up the side of the shorts) represents unclaimed stitching that forms no part of the claimed design. The shade lines shown represent surface shading and not surface ornamentation, color, or material type. The dot-dashed boundary lines shown do not form part of the claimed design. The bounds of the claimed design are defined with dot-dashed boundary lines when the boundary does not exist in reality in the article embodying the design. The illustrated designs extend to the boundary but do not include the boundary.

1 Claim, 7 Drawing Sheets



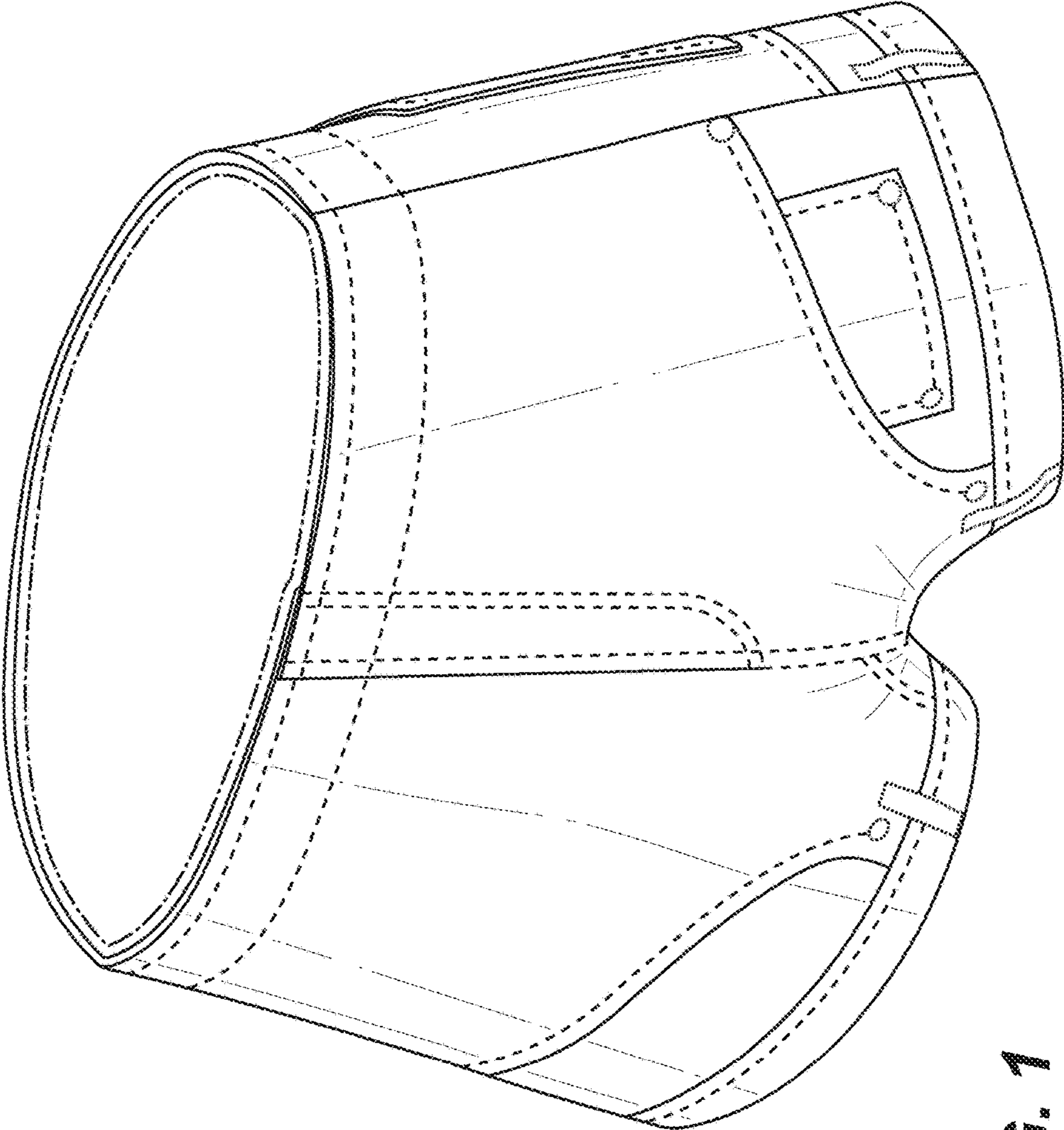


FIG. 1

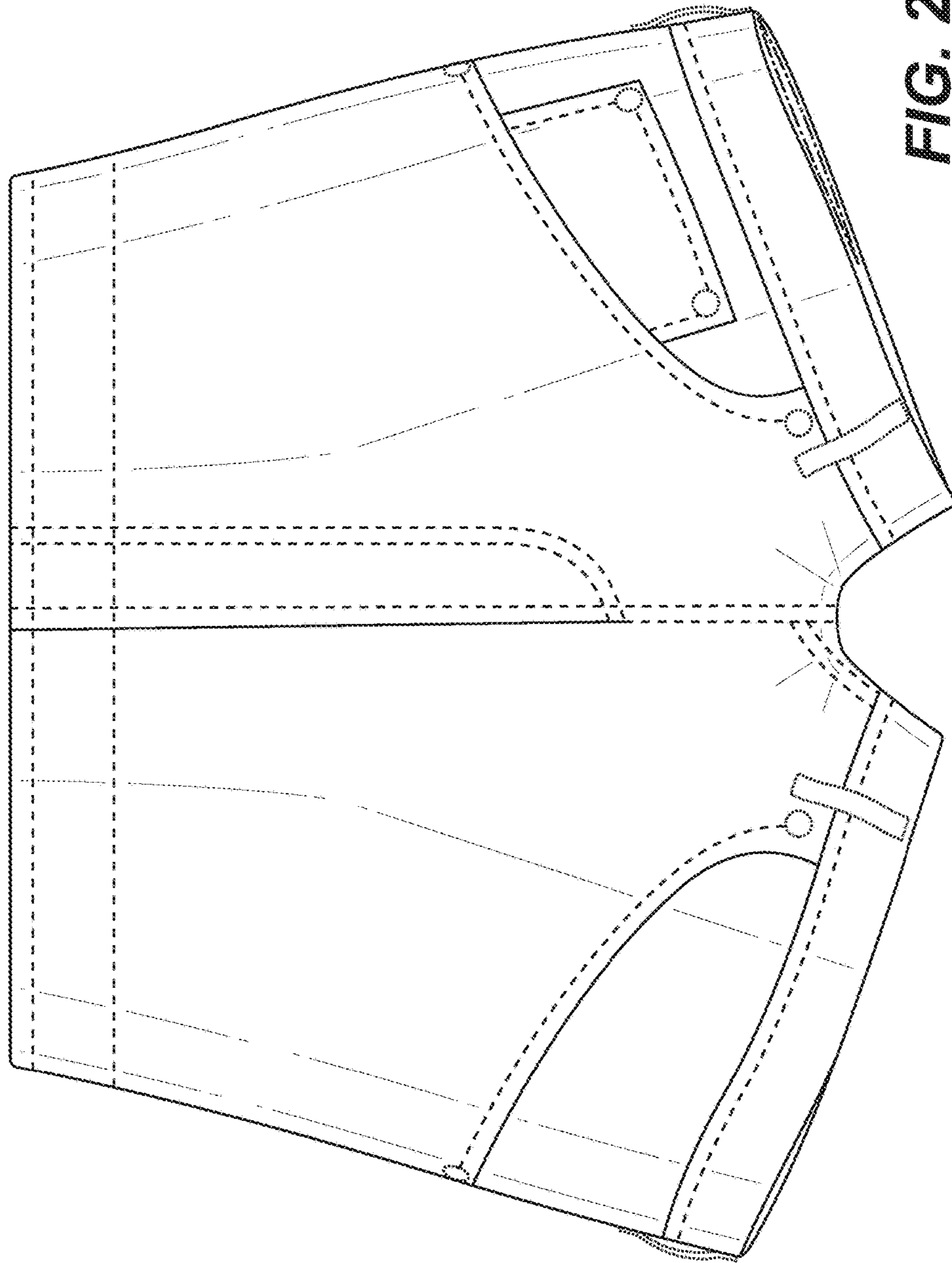


FIG. 2

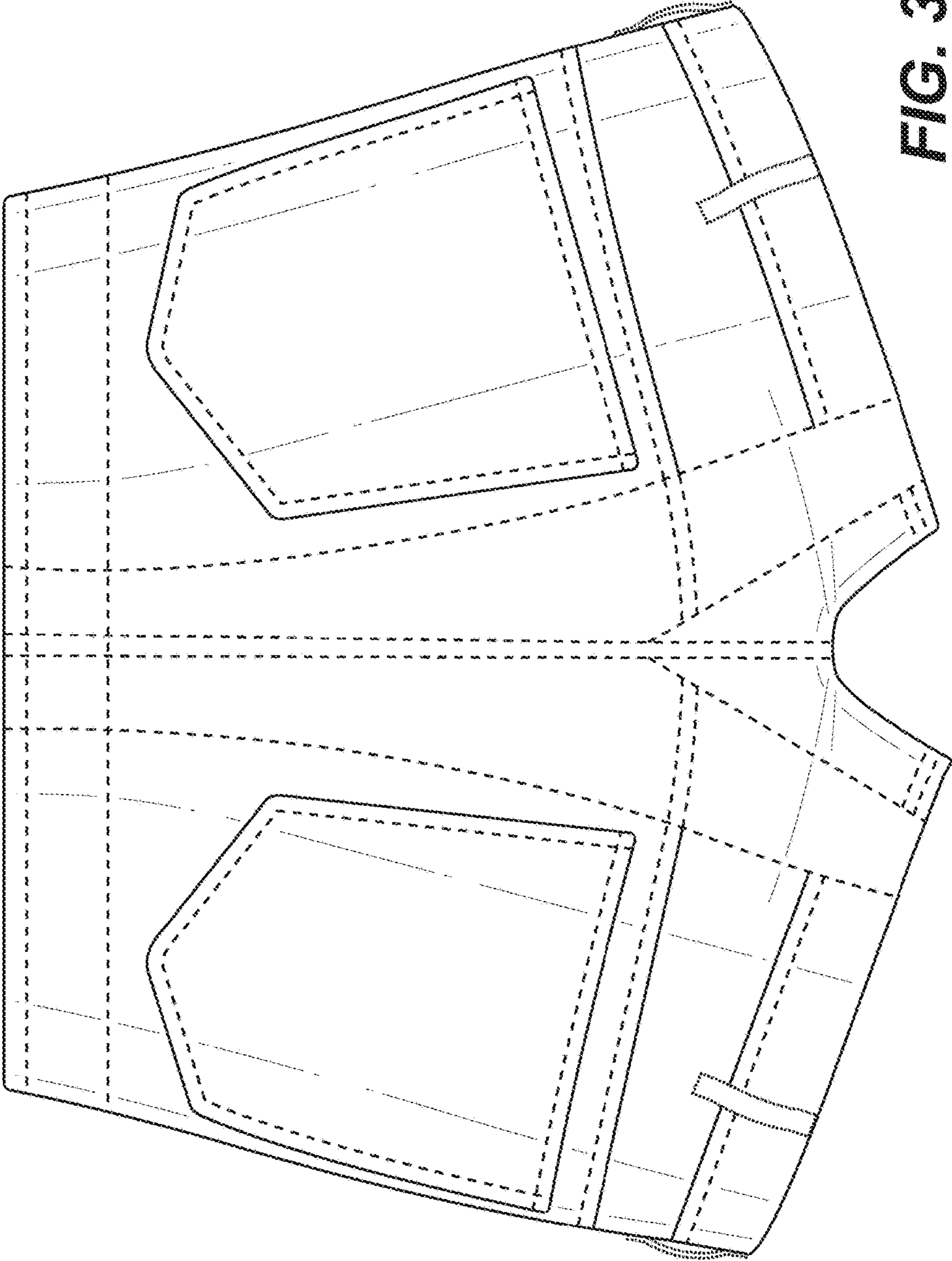


FIG. 3

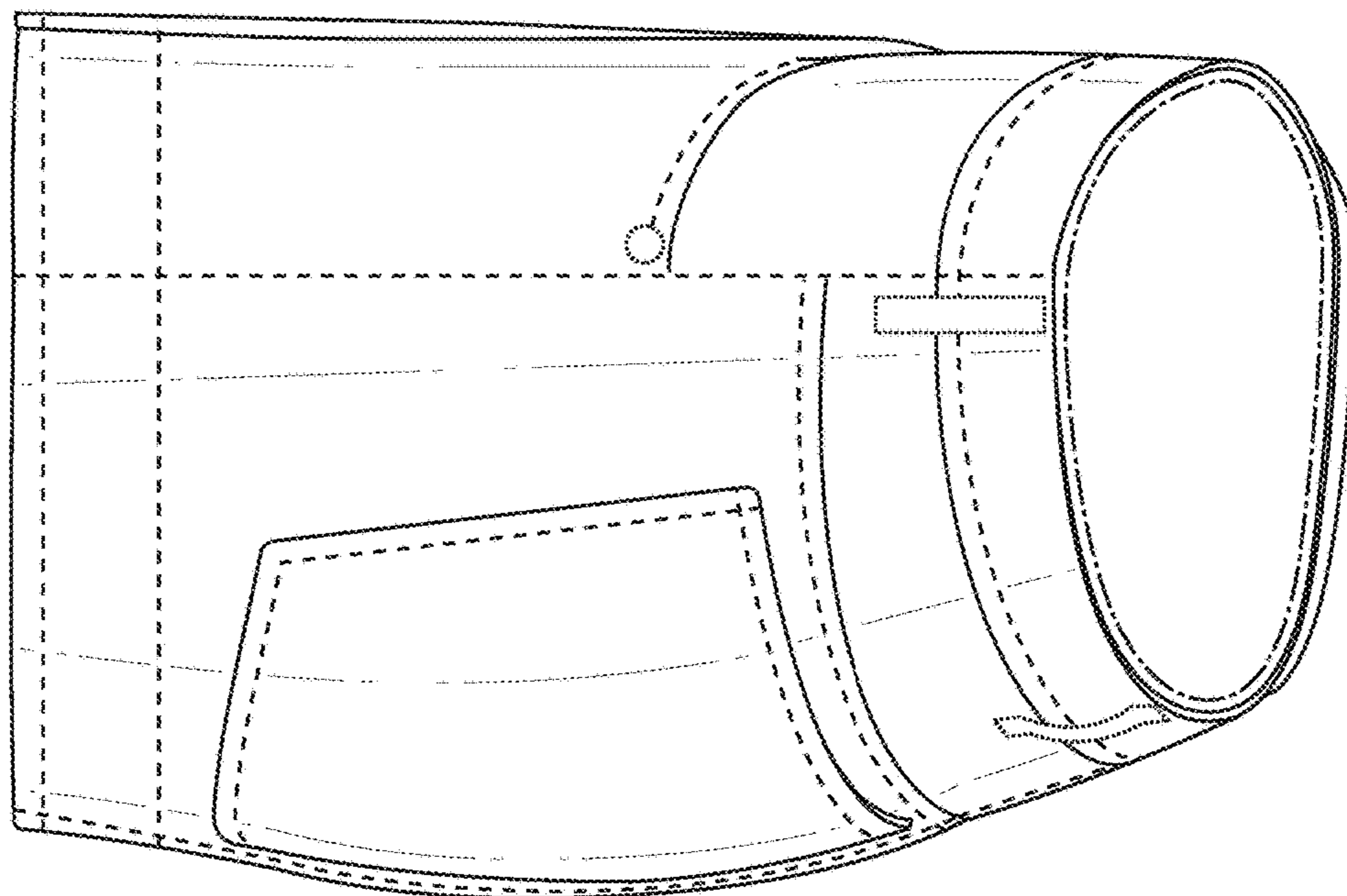


FIG. 4

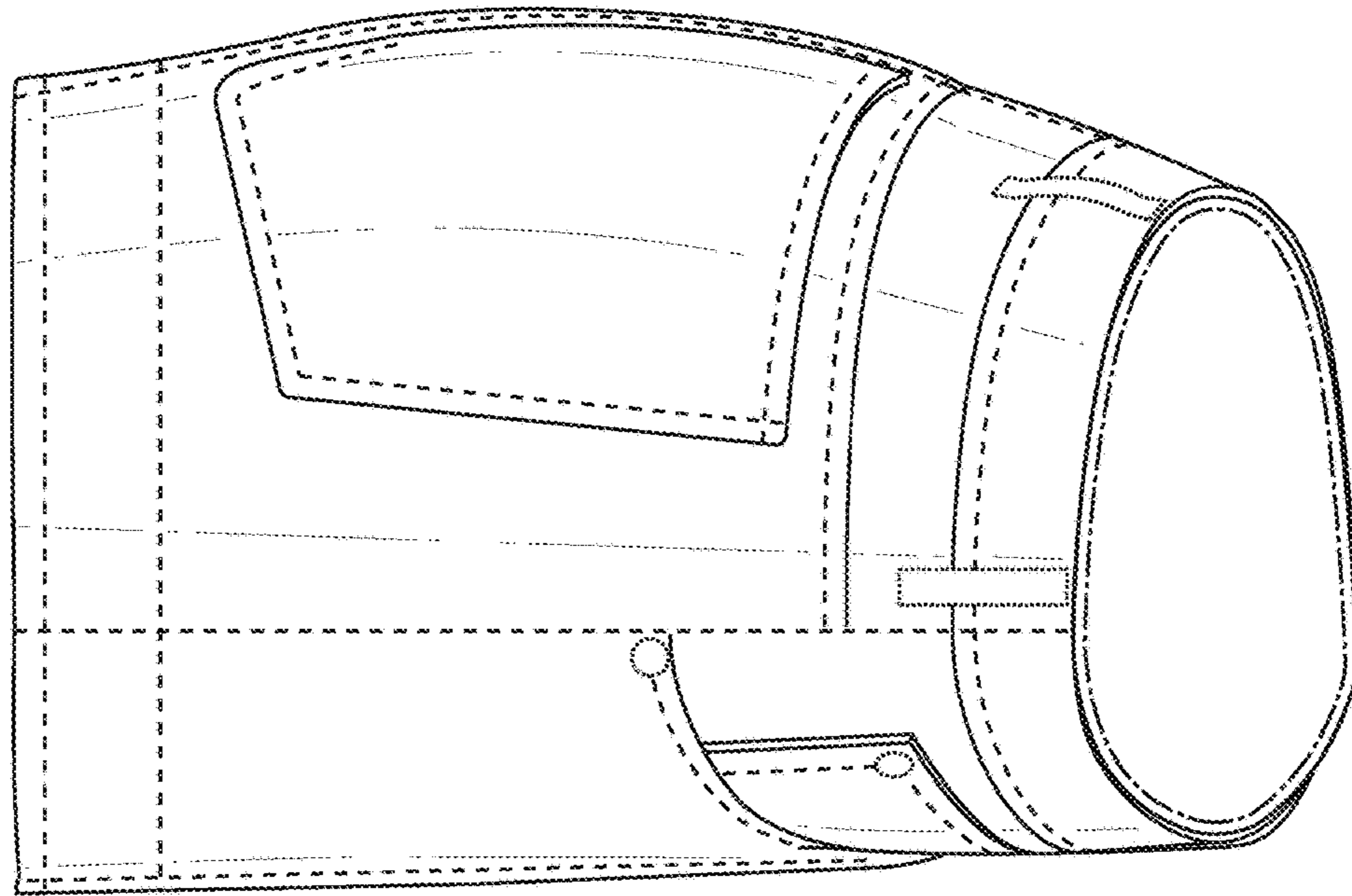


FIG. 5

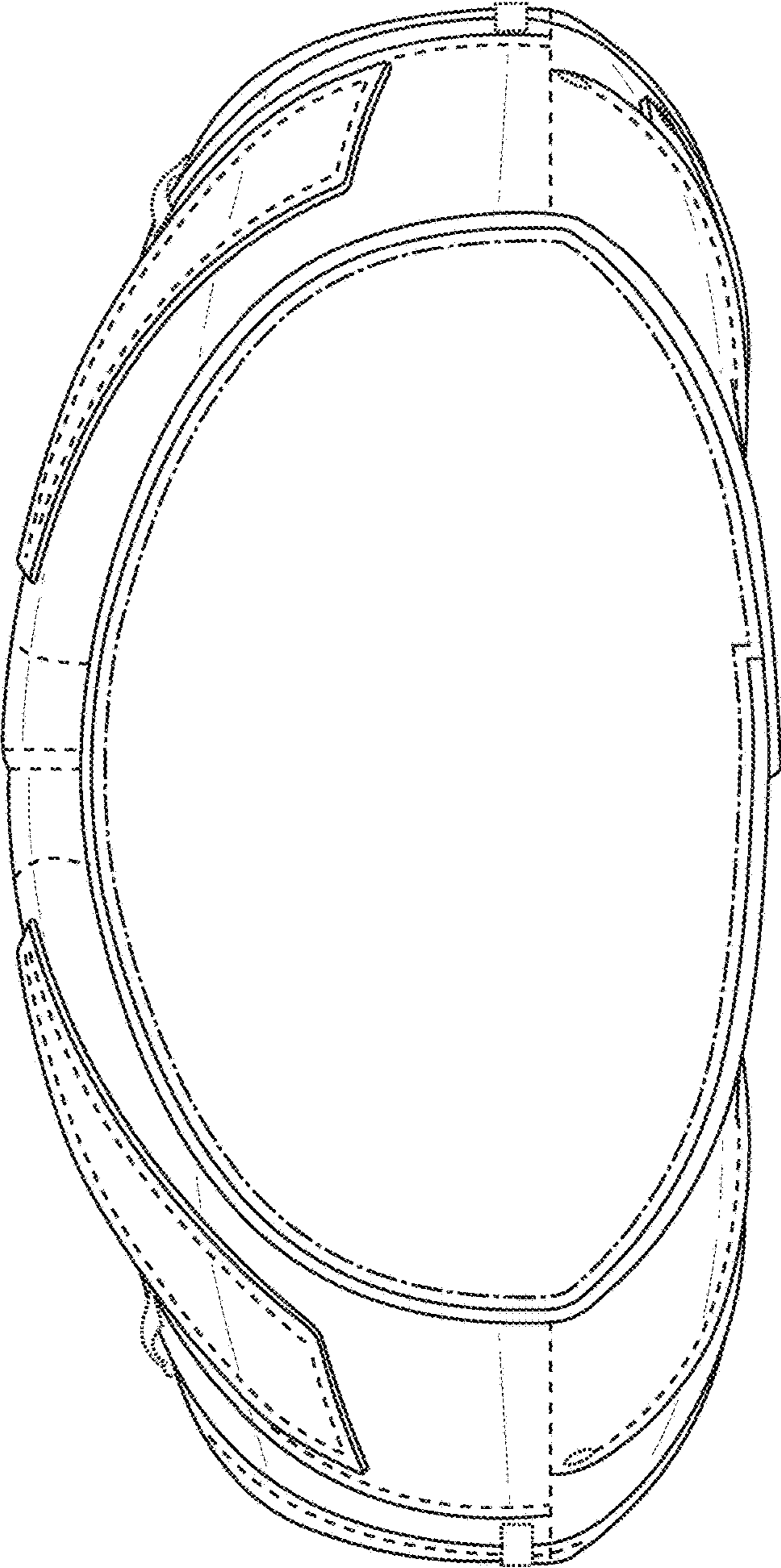


FIG. 6

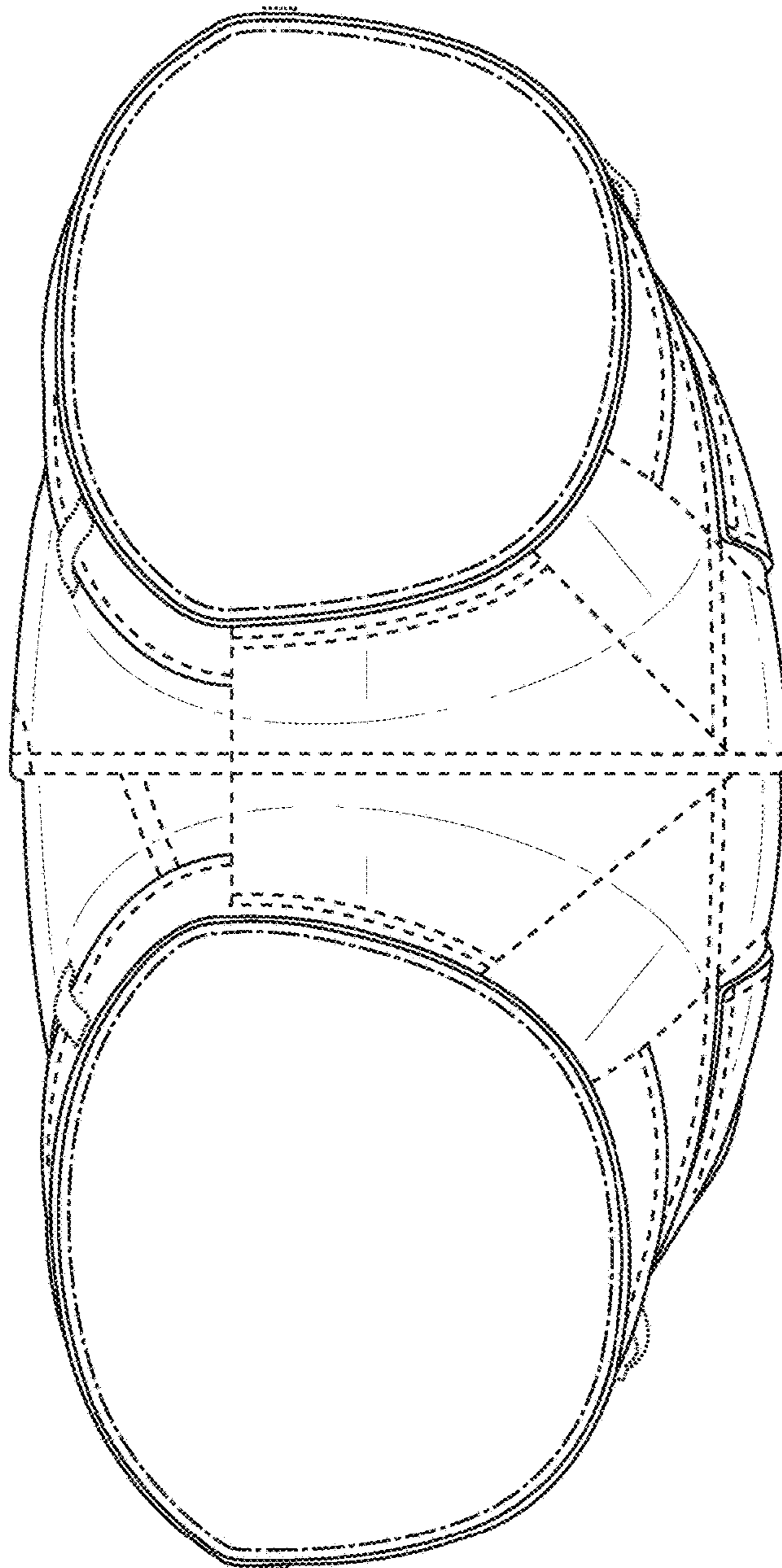


FIG. 7