



US00D853080S

(12) **United States Design Patent**  
**Albuja Cuadrado et al.**

(10) **Patent No.:** **US D853,080 S**  
(45) **Date of Patent:** **\*\* Jul. 9, 2019**

(54) **DENTAL TREAT**  
(71) Applicant: **Société des Produits Nestlé S.A.,**  
Vevey (CH)  
(72) Inventors: **Mario Guillermo Albuja Cuadrado,**  
Vevey (CH); **Michael Leiweke,** Vevey  
(CH)  
(73) Assignee: **Société des Produits Nestlé S.A.,**  
Vevey (CH)  
(\*\*) Term: **15 Years**

4,090,322 A \* 5/1978 Hake ..... A63H 33/088  
446/104  
D285,585 S \* 9/1986 Murdough, Jr. .... D21/491  
4,731,041 A \* 3/1988 Ziegler ..... A63H 33/065  
446/102  
D307,924 S \* 5/1990 Fish, Jr. .... D21/490  
5,183,430 A \* 2/1993 Swann ..... A63H 33/04  
446/104  
D409,668 S \* 5/1999 Madner ..... D21/484  
7,383,670 B1 \* 6/2008 Meyers ..... E04F 13/081  
156/71  
D686,057 S \* 7/2013 Castellano ..... D8/349  
D721,142 S \* 1/2015 Ziegler ..... D21/479  
D771,898 S \* 11/2016 Albuja ..... D1/125  
D803,510 S \* 11/2017 Heath ..... D1/125

(21) Appl. No.: **29/645,038**  
(22) Filed: **Apr. 23, 2018**  
(51) **LOC (11) Cl.** ..... **01-01**  
(52) **U.S. Cl.**  
USPC ..... **D1/125**  
(58) **Field of Classification Search**  
USPC ..... D1/100–130, 199; 426/5, 76, 87, 92, 94,  
426/95, 99, 101, 103, 104, 108, 134,  
426/138–139, 143, 144, 279, 282, 283,  
426/391, 514, 549, 559, 560, 660, 808;  
D9/439; 521/50; 251/364; 220/574;  
D8/8, 38, 40, 83; D21/487; D24/130;  
D23/266; D15/139  
CPC ..... A23G 3/50; A23G 3/54; A23J 3/26; A23L  
1/0067  
See application file for complete search history.

\* cited by examiner

*Primary Examiner* — Katie Jane Stofko  
(74) *Attorney, Agent, or Firm* — Finnegan, Henderson,  
Farabow, Garrett & Dunner LLP

(56) **References Cited**  
U.S. PATENT DOCUMENTS  
2,263,212 A \* 11/1941 Irwin ..... F27D 5/0018  
432/259  
2,776,521 A \* 1/1957 Zimmerman ..... A63H 33/065  
16/227

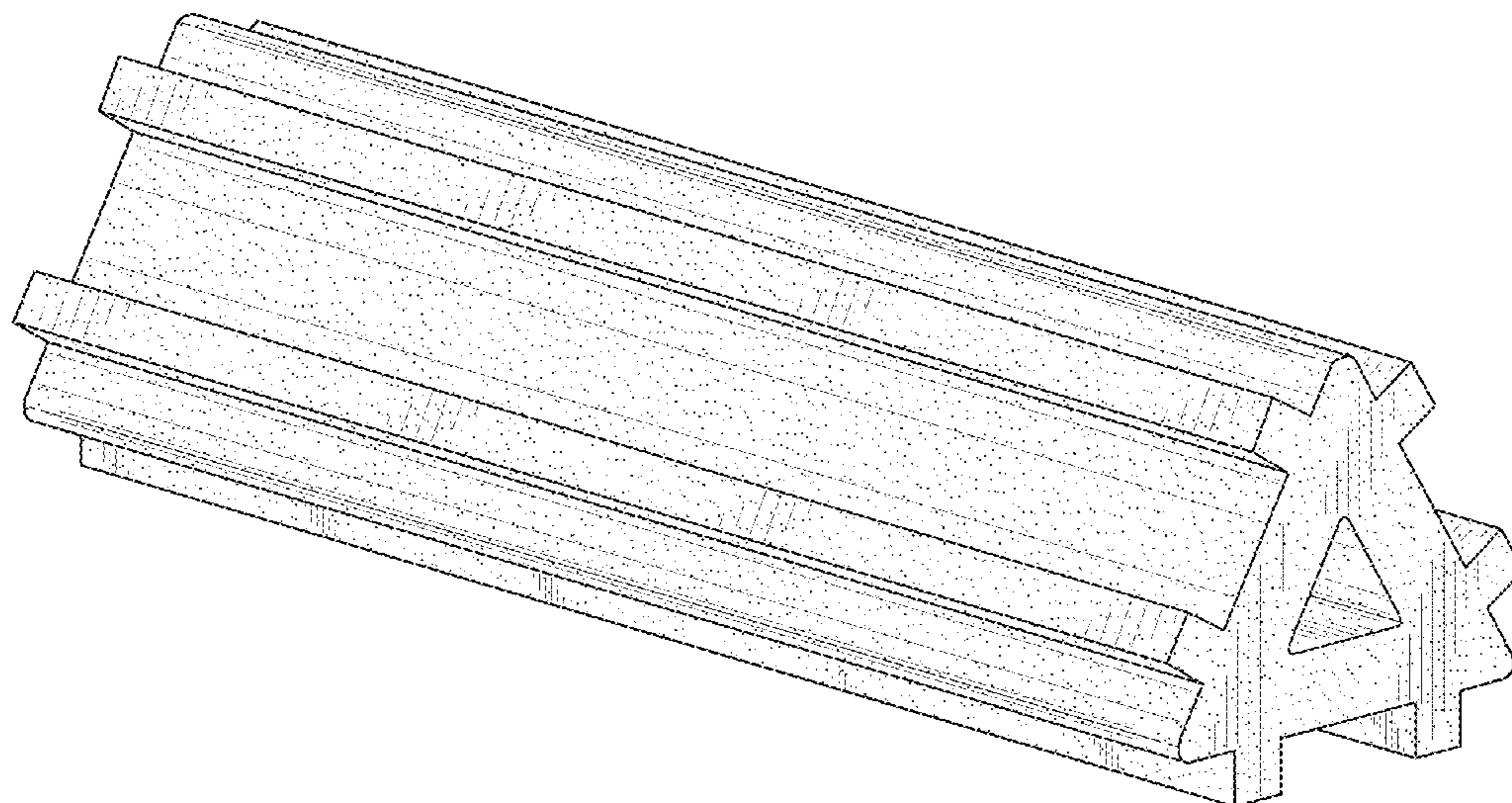
(57) **CLAIM**

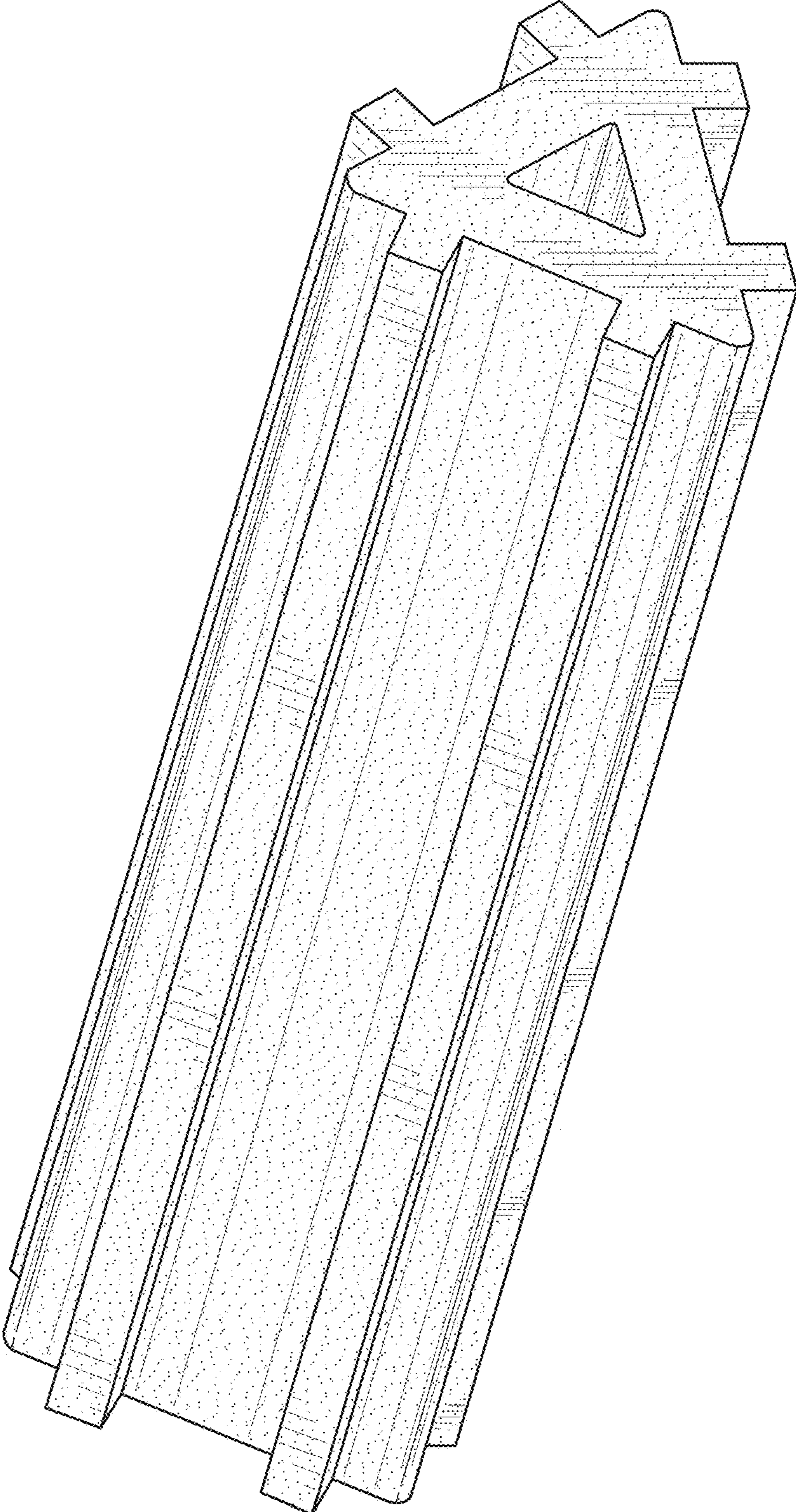
The ornamental design for a dental treat, as shown and described.

**DESCRIPTION**

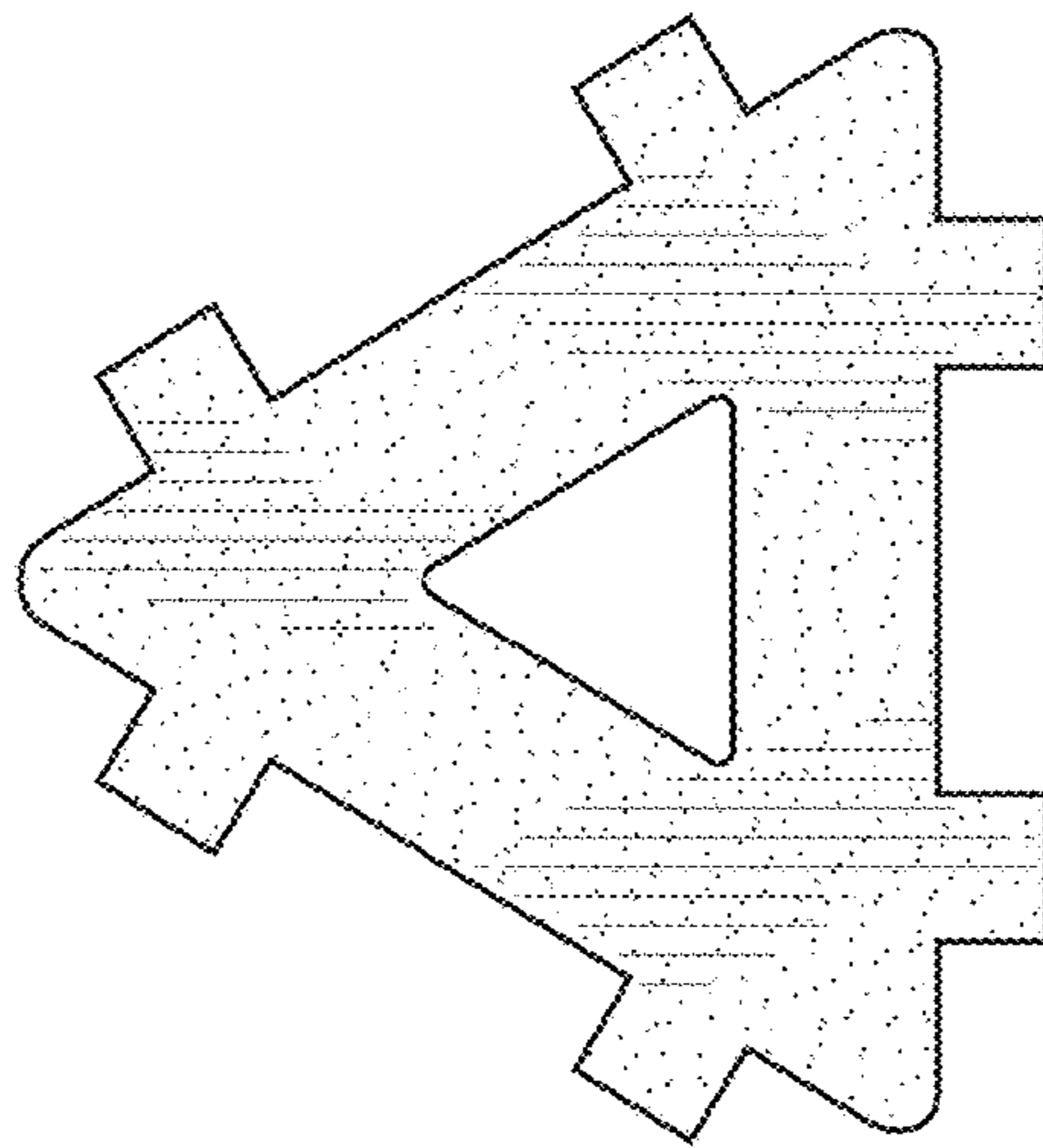
FIG. 1 is a top, front, left perspective view of a dental treat showing our new design;  
FIG. 2 is a front elevation view thereof;  
FIG. 3 is a rear elevation view thereof;  
FIG. 4 is a left side view thereof;  
FIG. 5 is a right side view thereof;  
FIG. 6 is a top plan view thereof; and,  
FIG. 7 is a bottom plan view thereof.

**1 Claim, 7 Drawing Sheets**



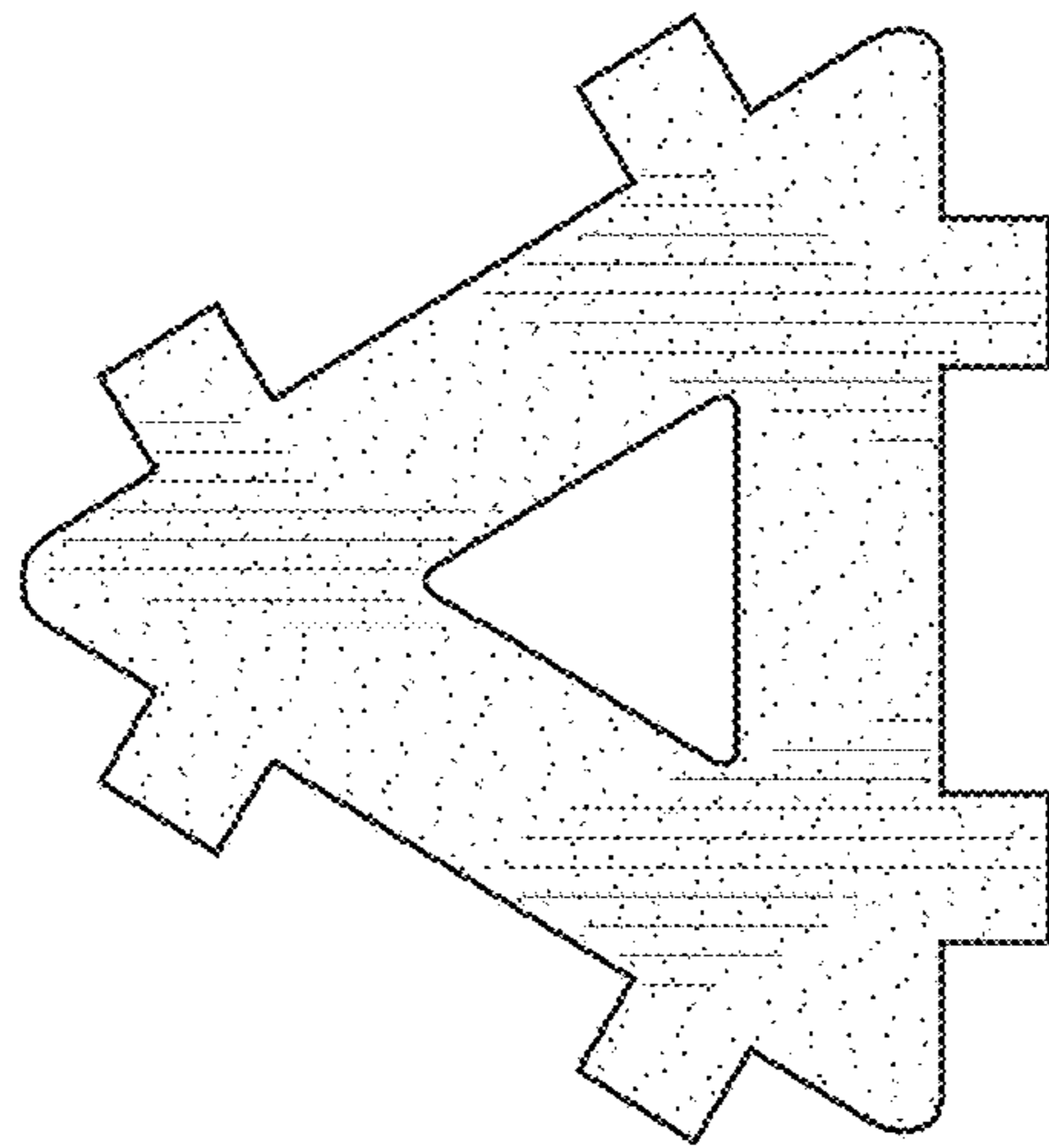


**FIG. 1**

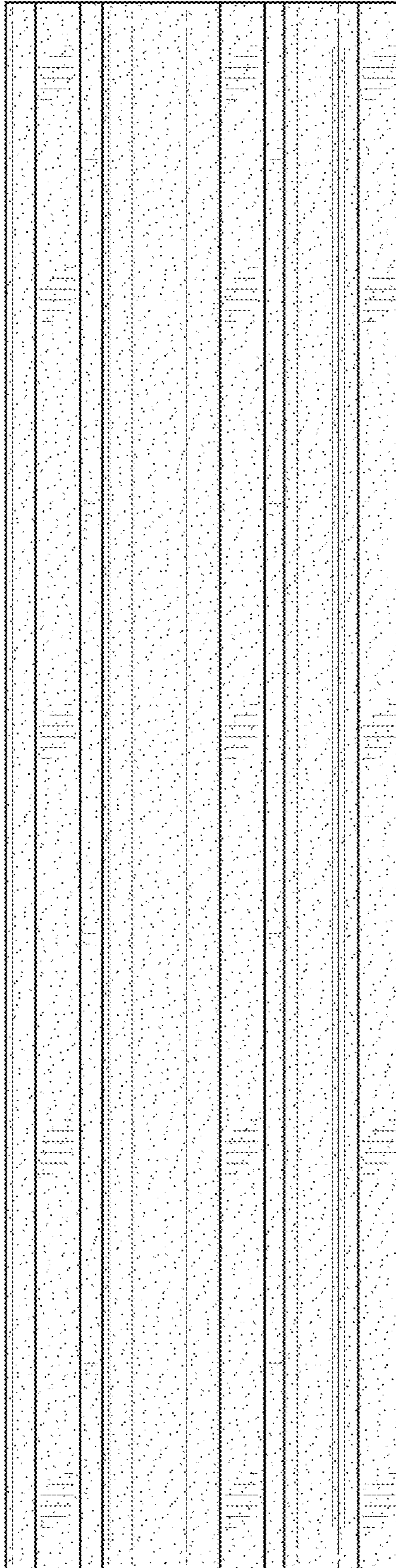


**FIG. 2**

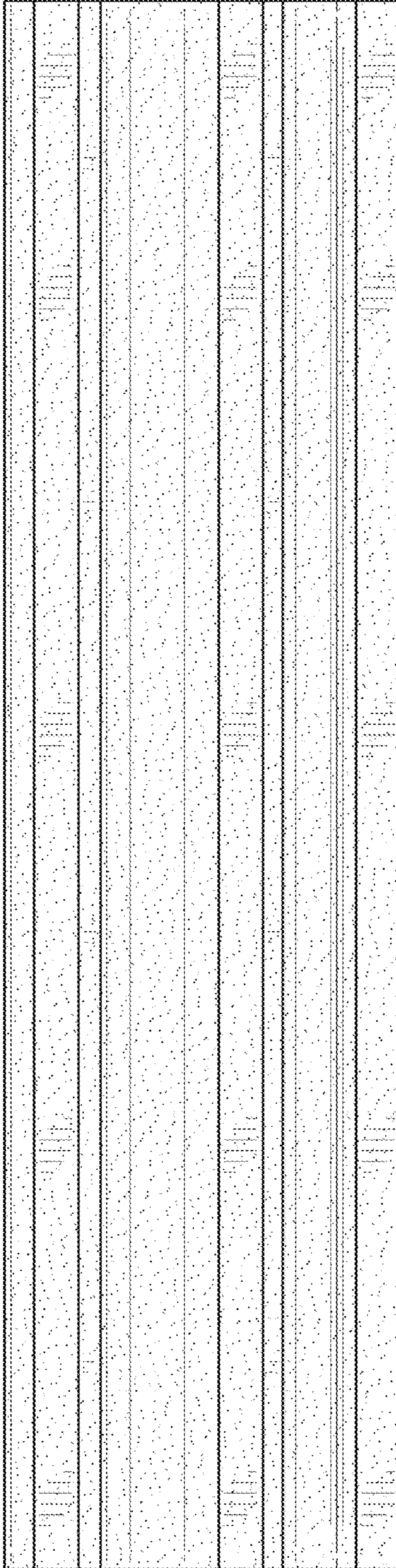




**FIG. 3**

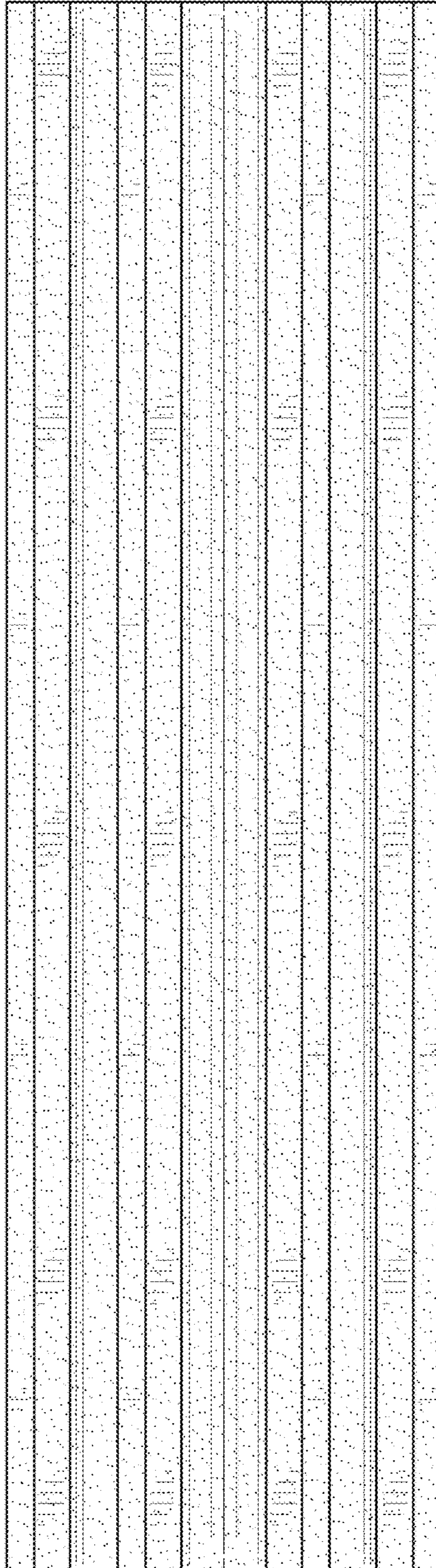


**FIG. 4**

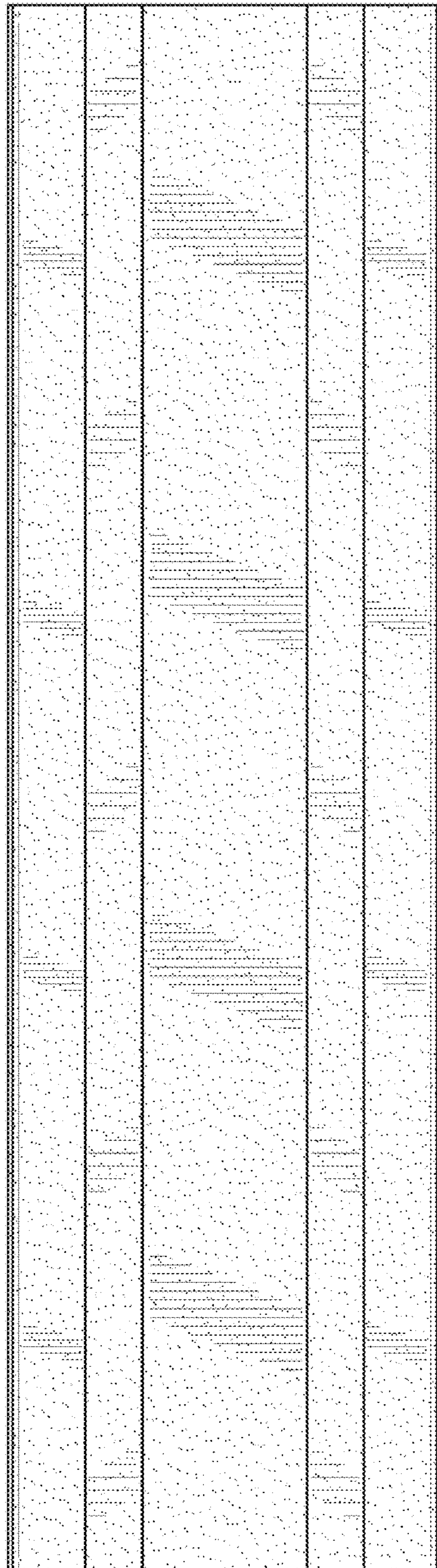


**FIG. 5**





**FIG. 6**



**FIG. 7**