



US00D853078S

(12) **United States Design Patent**
Rayfield et al.

(10) **Patent No.:** **US D853,078 S**

(45) **Date of Patent:** **** Jul. 2, 2019**

(54) **PACKAGE COMPARTMENT**

(71) Applicants: **Douglas Rayfield**, Georgetown, TX
(US); **Dee Dee Rayfield**, Georgetown,
TX (US)

(72) Inventors: **Douglas Rayfield**, Georgetown, TX
(US); **Dee Dee Rayfield**, Georgetown,
TX (US)

(73) Assignee: **Home Box Guard, LLC**, Georgetown,
TX (US)

(**) Term: **15 Years**

(21) Appl. No.: **29/643,898**

(22) Filed: **Apr. 12, 2018**

(51) **LOC (11) Cl.** **99-00**

(52) **U.S. Cl.**
USPC **D99/28**

(58) **Field of Classification Search**
USPC D99/28, 34, 35, 36, 43, 99; 109/1 R,
109/1 V, 2, 45; 902/9, 30; 235/100;
206/0.8, 0.815, 0.82; 312/400, 409;
D18/3.1, 3.3, 12.1; D3/201, 272, 273
CPC F42B 39/24; E05B 65/0075; E05G 1/00;
E05G 1/005; E05G 5/00; E05G 2700/00;
E05G 2700/02; E05G 2700/04; E05G
5/02; G05G 1/024; G07D 11/0006; G07D
11/0009; G07D 9/002; G07D 9/004;
G07D 9/008; G07D 11/009; G07F 9/06;
G07F 9/003; G07F 17/10; G07F 17/12;
B65D 1/00; B65D 1/22; B65D 7/00;
B65D 7/06; A47B 43/00
See application file for complete search history.

(56) **References Cited**

U.S. PATENT DOCUMENTS

D3,814 S * 1/1870 Farland D99/28
2,086,018 A * 7/1937 Dyer F25D 23/12
109/23

2,088,459 A * 7/1937 Bennett E05G 5/006
312/223.1
D214,141 S * 5/1969 Horikoshi D99/28
D273,052 S * 3/1984 Snodgrass D99/28
D308,279 S * 5/1990 Hill D99/28
D308,744 S * 6/1990 Arauchi D99/28
D314,406 S * 2/1991 Lerch D21/519
D485,041 S * 1/2004 Paris D99/28
D485,042 S * 1/2004 Paris D99/28
D485,419 S * 1/2004 Paris D99/28
D495,113 S * 8/2004 Lynch D6/705.5
D498,895 S * 11/2004 Lynch D99/28
D557,875 S * 12/2007 Stuhlbarg D99/28
D617,525 S * 6/2010 Taylor D99/28
D620,675 S * 7/2010 Doettingling D99/28
D728,189 S * 4/2015 Suggs D99/28
D744,715 S * 12/2015 Suggs D99/28

(Continued)

Primary Examiner — Elizabeth J Oswecki

(74) *Attorney, Agent, or Firm* — Pierson IP, PLLC

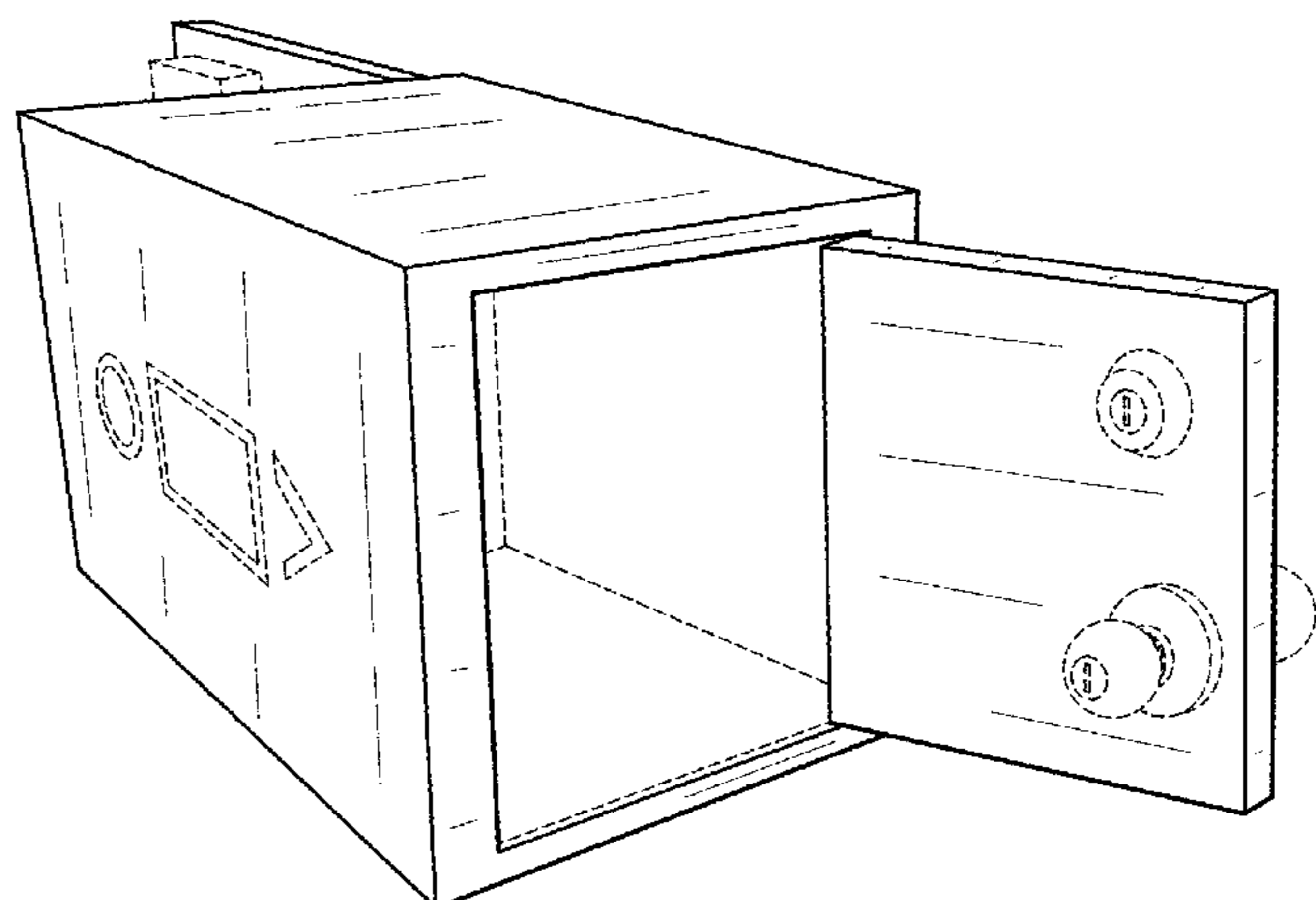
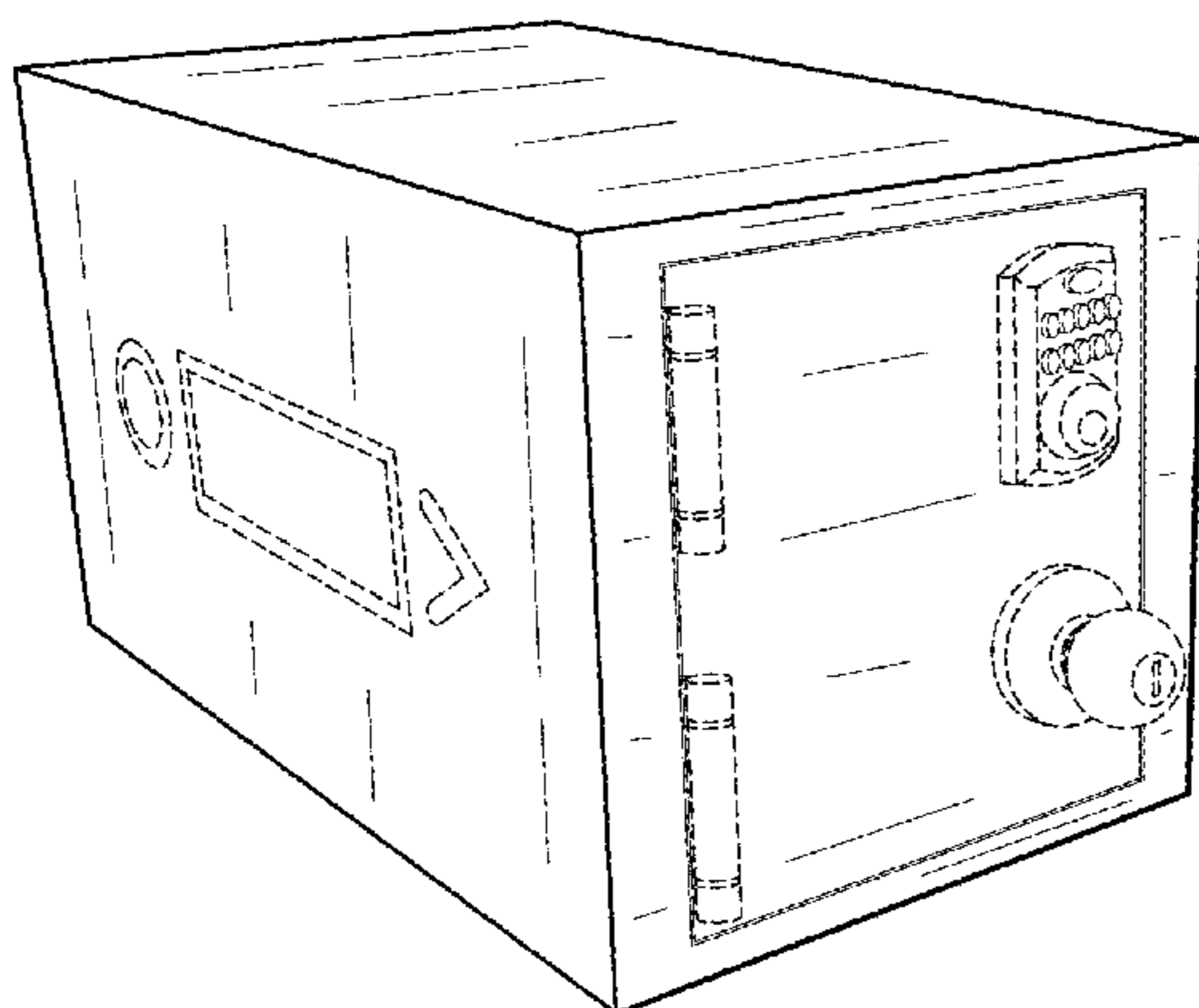
(57) **CLAIM**

The ornamental design for a package compartment, as shown and described.

DESCRIPTION

FIG. 1 is a perspective view of a package compartment showing our new design;
FIG. 2 is a front view thereof;
FIG. 3 is a rear view thereof;
FIG. 4 is a first side view thereof;
FIG. 5 is a second side view thereof;
FIG. 6 is a top view thereof;
FIG. 7 is a bottom view thereof; and,
FIG. 8 is another perspective view thereof, shown with the doors in an open position.
Elements shown in broken lines show environmental structures of the package compartment and form no part of our claimed design.

1 Claim, 5 Drawing Sheets



(56)

References Cited

U.S. PATENT DOCUMENTS

D748,365 S *	1/2016	Nelson	D99/28
D774,272 S *	12/2016	Suggs	D99/28
D799,148 S *	10/2017	Crosby	D99/28
D799,149 S *	10/2017	Chafetz	D99/28
D799,782 S *	10/2017	Crosby	D99/28
D802,872 S *	11/2017	Frisher	D99/28
D802,873 S *	11/2017	Crosby	D99/28
D809,739 S *	2/2018	Spears	D99/28
D810,389 S *	2/2018	Spears	D99/28
D811,038 S *	2/2018	Spears	D99/28
D811,039 S *	2/2018	Spears	D99/28
D811,686 S *	2/2018	Crosby	D99/28
D811,687 S *	2/2018	Kang	D99/28
D814,139 S *	3/2018	Newcomb	D99/28

* cited by examiner

FIG. 1

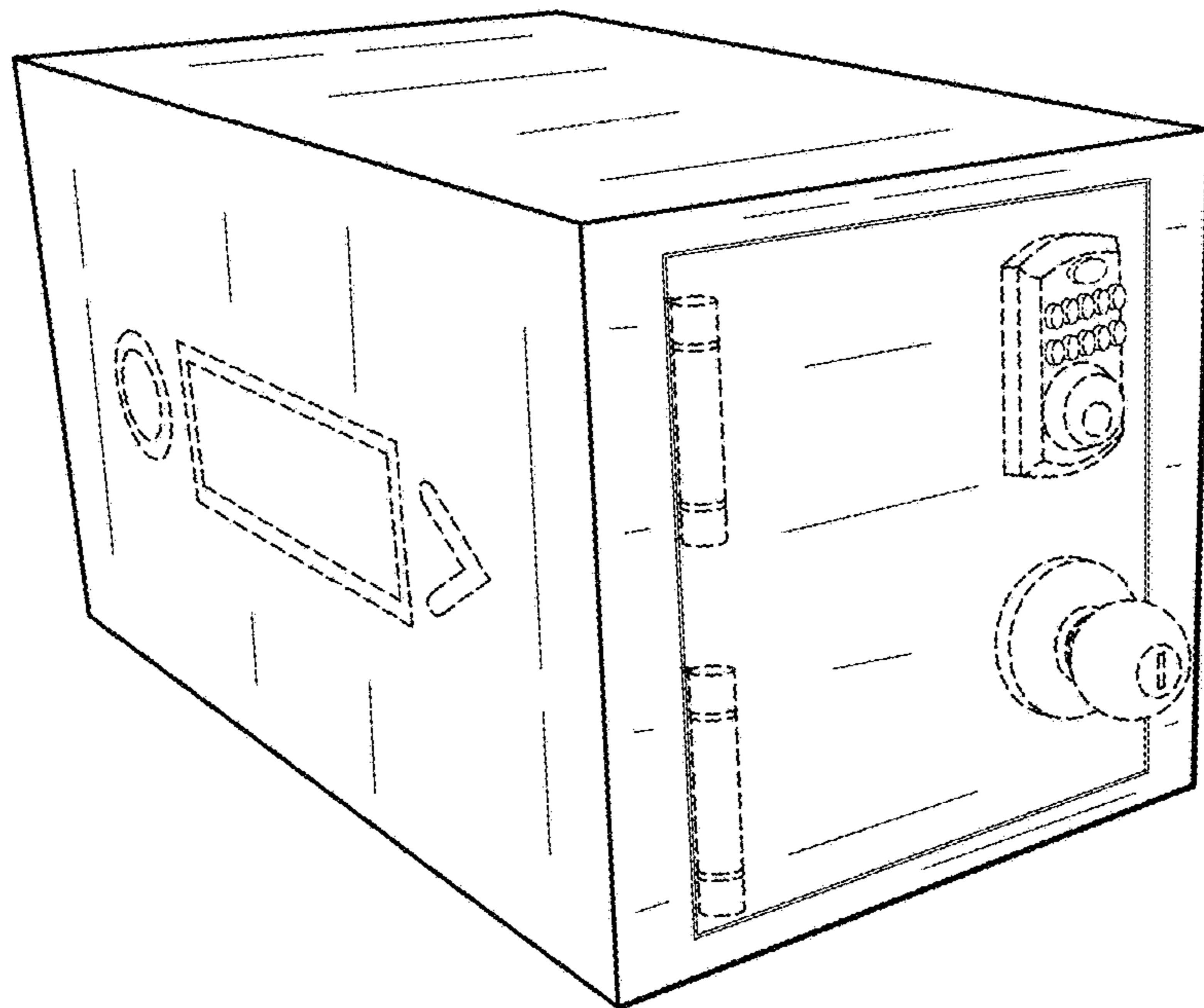


FIG. 2

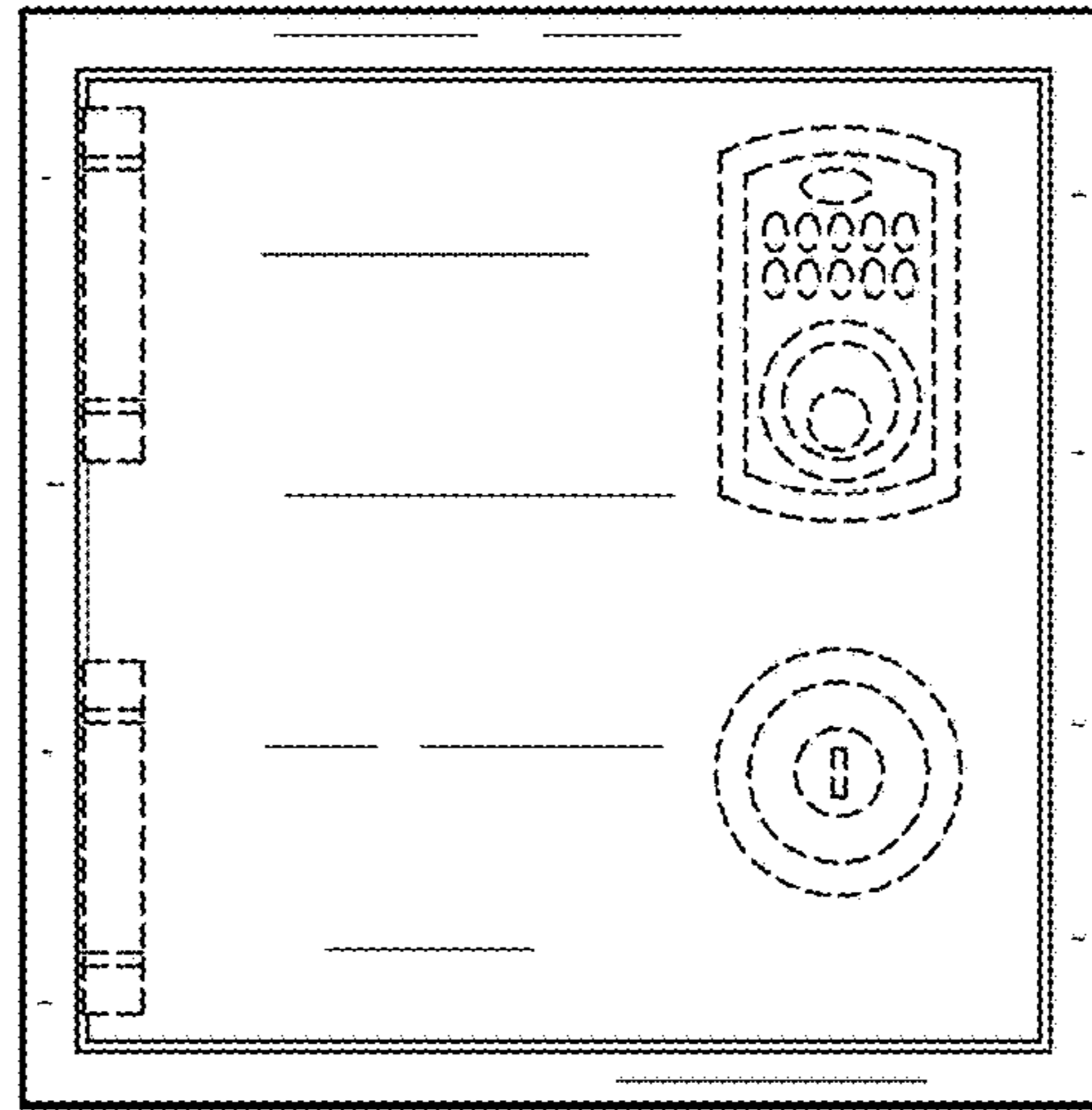


FIG. 3

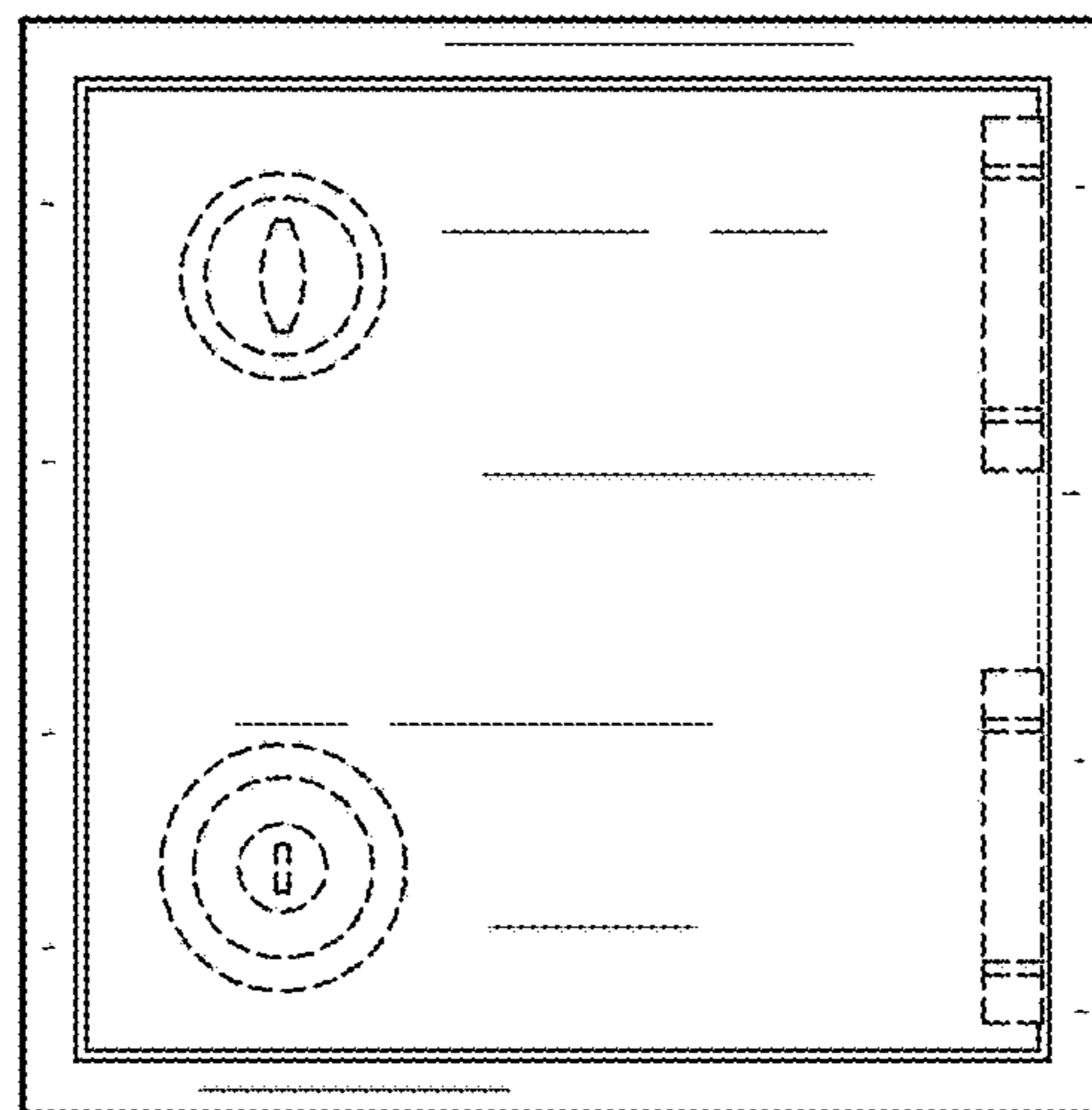


FIG. 4

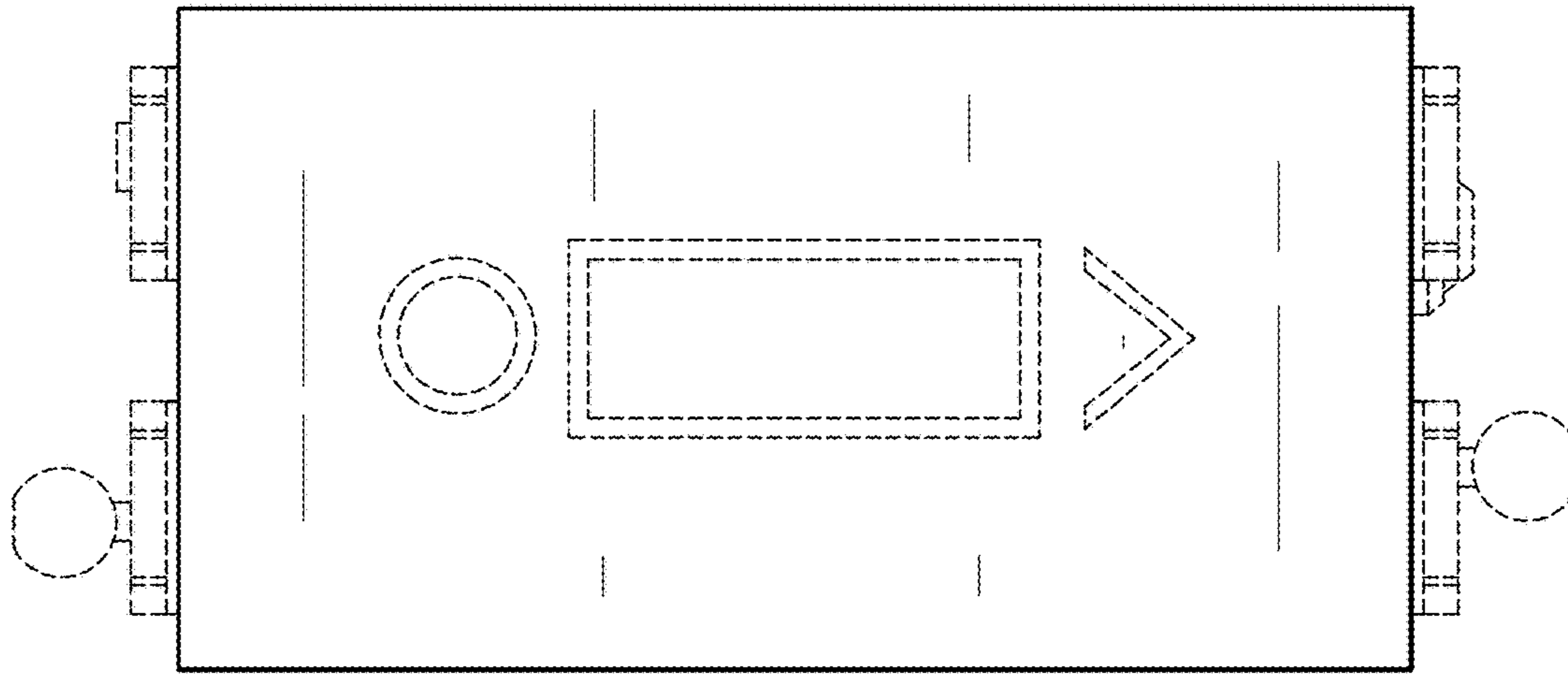


FIG. 5

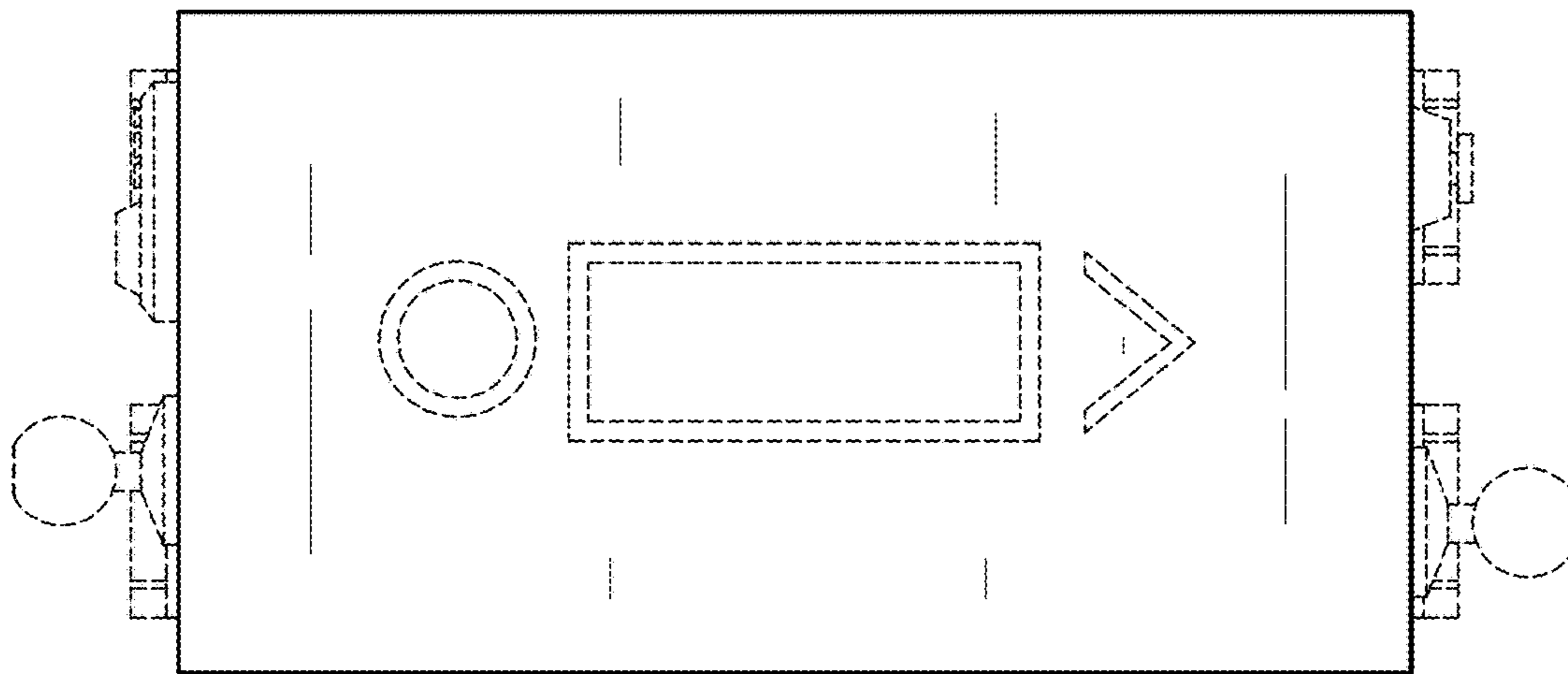


FIG. 6

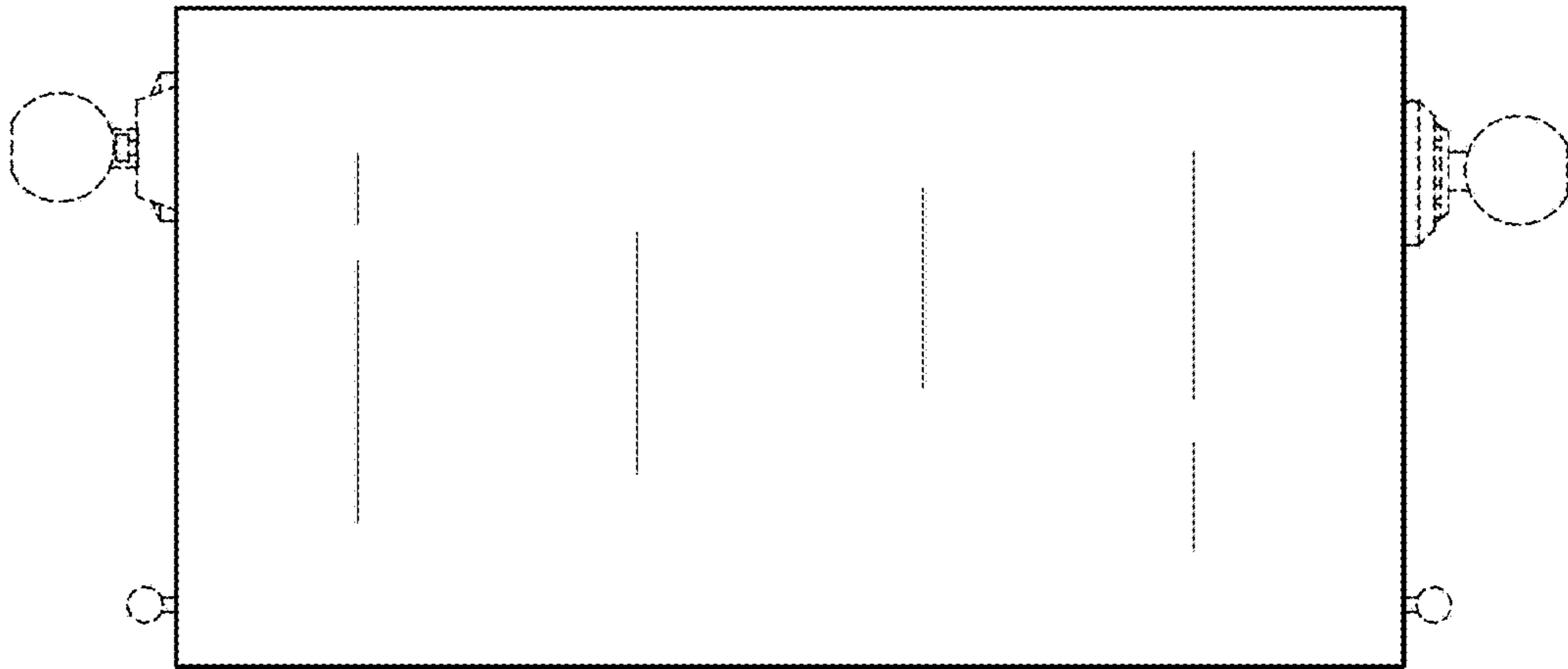


FIG. 7

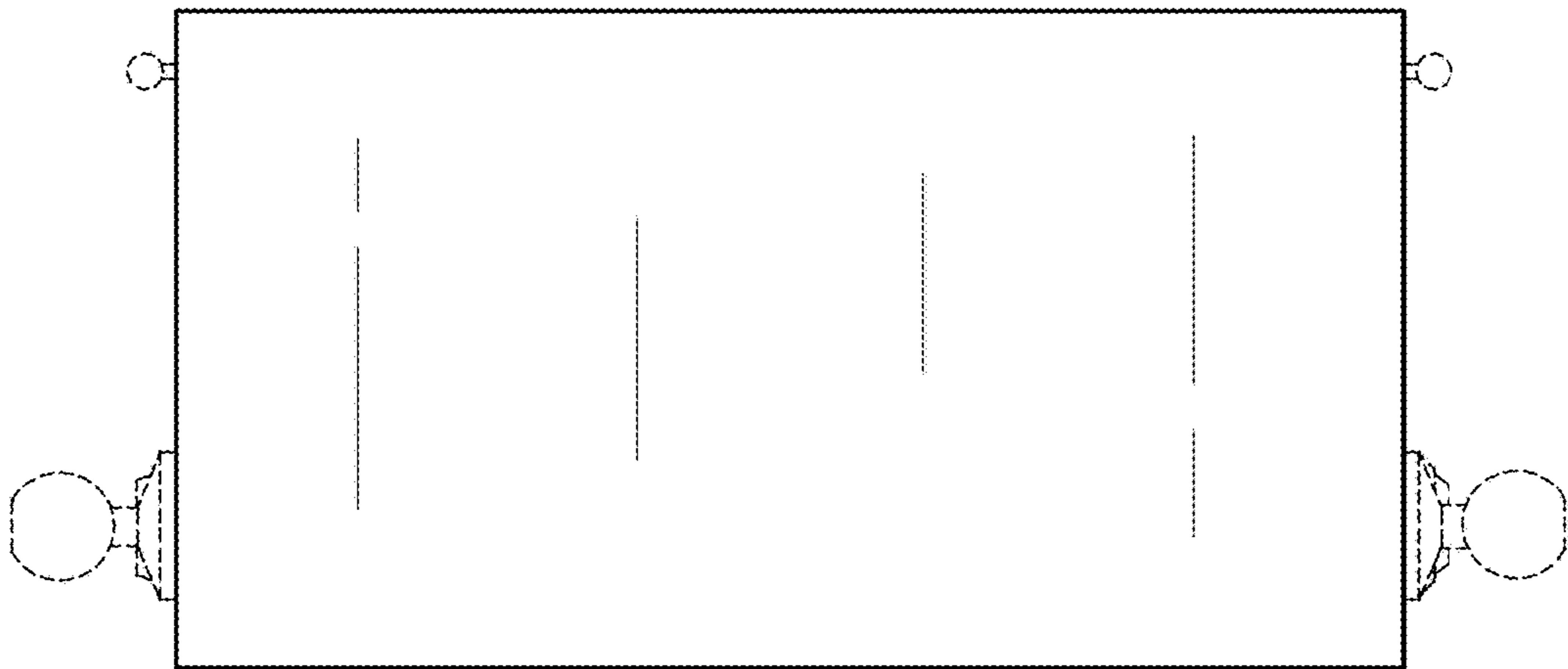


FIG. 8

