



US00D853076S

(12) **United States Design Patent** (10) **Patent No.:** **US D853,076 S**
Park et al. (45) **Date of Patent:** **** Jul. 2, 2019**

(54) **AUTOMATED TELLER MACHINE**

(56) **References Cited**

(71) Applicant: **Nautilus Hyosung Inc.**, Seoul (KR)

U.S. PATENT DOCUMENTS

(72) Inventors: **Jae Min Park**, Gyeonggi-do (KR); **Hee Youn Lee**, Gyeonggi-do (KR); **Jae Min Cha**, Gyeonggi-do (KR)

| | | | | | | |
|-----------|---|---|---------|-----------|-------|-------------------------|
| D238,429 | S | * | 1/1976 | Herman | | D99/28 |
| 4,179,723 | A | * | 12/1979 | Spencer | | G07F 19/20 109/1 V |
| D283,746 | S | * | 5/1986 | Kobayashi | | D99/28 |
| D291,936 | S | * | 9/1987 | Long | | 902/30 |
| 4,754,126 | A | * | 6/1988 | Caldwell | | G07D 11/0096 235/379 |
| D331,996 | S | * | 12/1992 | Fukutake | | D99/28 |
| D332,165 | S | * | 12/1992 | Fukutake | | D99/28 |
| D360,734 | S | * | 7/1995 | Hall | | D99/28 |
| D360,735 | S | * | 7/1995 | Hall | | D99/28 |
| D360,739 | S | * | 7/1995 | Hall | | D99/28 |
| D388,229 | S | * | 12/1997 | Couch | | D18/4.6 |
| D427,413 | S | * | 6/2000 | Wallace | | D99/28 |
| D479,642 | S | * | 9/2003 | Magee | | D18/3.1 |
| D481,515 | S | * | 10/2003 | Magee | | D18/3.1 |
| D494,730 | S | * | 8/2004 | Magee | | D99/28 |
| D505,765 | S | * | 5/2005 | Swaine | | D99/28 |
| D532,579 | S | * | 11/2006 | Kang | | D99/28 |

(73) Assignee: **NAUTILUS HYOSUNG INC.**, Seoul (KR)

(**) Term: **15 Years**

(21) Appl. No.: **29/616,223**

(22) Filed: **Sep. 12, 2017**

(51) **LOC (11) Cl.** **99-00**

(52) **U.S. Cl.**
USPC **D99/28**

(58) **Field of Classification Search**
USPC D99/28, 34, 35, 36, 43, 99;
D14/300-302, 305, 307, 900-902;
D18/3.1-3.3, 4.1-4.6, 12.1-12.3;
D21/324, 325, 329, 369, 370; 101/66;
109/1 R, 1 V, 2, 23, 24.1, 25, 58, 58.5,
109/66; 446/8-13; 705/16, 17, 18, 42,
705/43, 44, 45; 235/51, 379, 380, 381,
235/382, 382.5, 386; 206/0.8, 0.81,
206/0.815, 0.82, 0.84
CPC .. G06Q 20/10; G06Q 20/108; G06Q 20/1085;
G06Q 20/18; G07D 1/00; G07D 1/02;
G07D 1/04; G07D 1/06; G07D 11/00;
G07D 9/002; G07D 9/04; G07F 19/20;
G07F 19/201; G07F 19/202; G07F
19/203; G07F 19/204; G07F 19/105;
G07F 19/21; G07F 19/00; G07F 7/04;
G07F 5/00; G07F 1/00; E05G 7/001;
E05G 1/006; A63H 33/00; A63H 33/005

See application file for complete search history.

(Continued)

Primary Examiner — Elizabeth J Oswecki

(74) *Attorney, Agent, or Firm* — Bacon & Thomas, PLLC

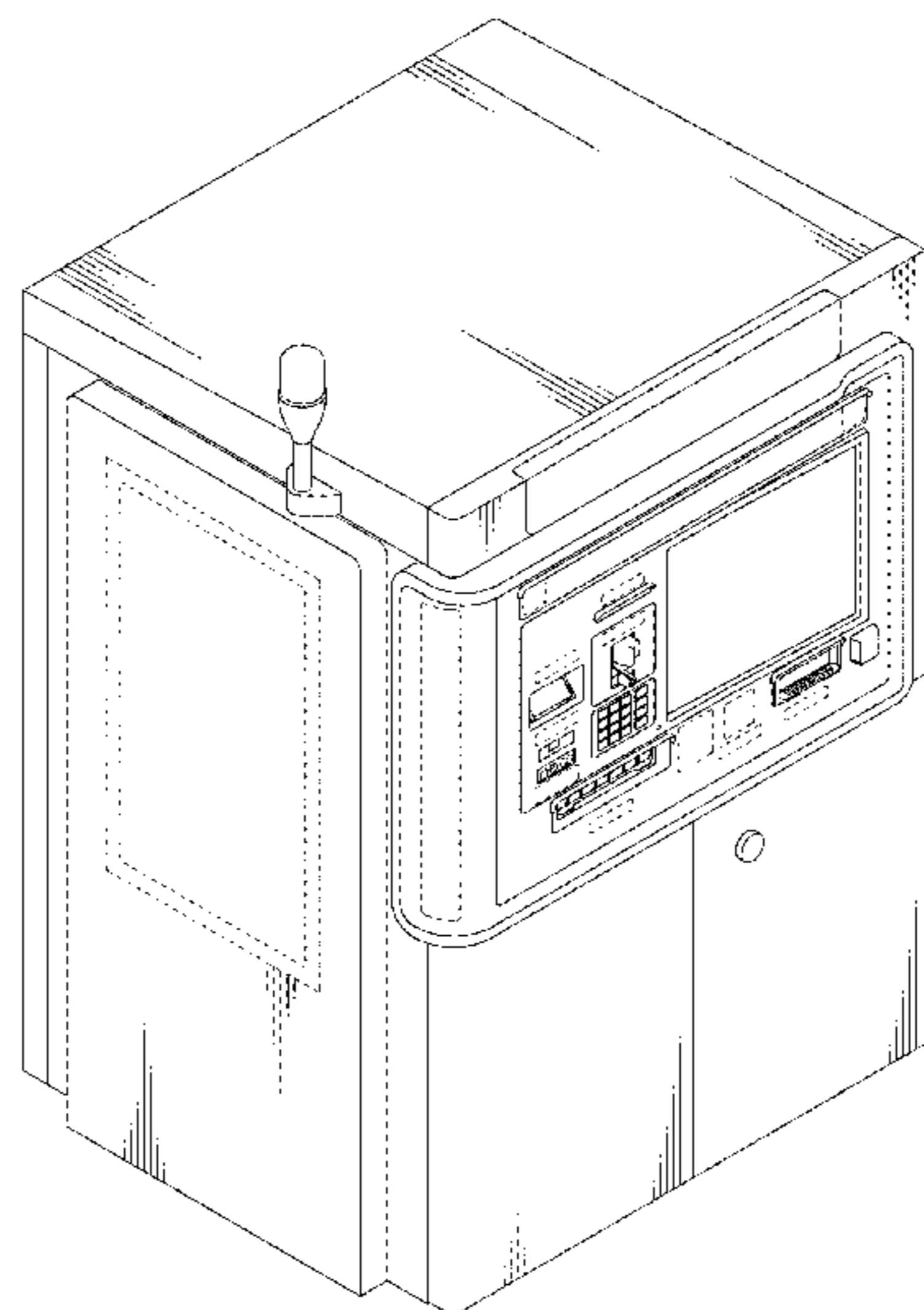
(57) **CLAIM**

The ornamental design for an automated teller machine, as shown and described.

DESCRIPTION

FIG. 1 is a perspective view of an automated teller machine, showing our new design;
FIG. 2 is a front view thereof;
FIG. 3 is a rear view thereof;
FIG. 4 is a left side view thereof;
FIG. 5 is a right side view thereof;
FIG. 6 is a top view thereof; and,
FIG. 7 is a bottom view thereof.
The broken lines shown in the drawings represent portions of the automated teller machine that form no part of the claimed design.

1 Claim, 7 Drawing Sheets



(56)

References Cited

U.S. PATENT DOCUMENTS

| | | | | | |
|--------------|------|---------|--------------|-------|-------------------------|
| D596,374 | S * | 7/2009 | Kang | | D99/28 |
| D597,275 | S * | 7/2009 | Lee | | D99/28 |
| D615,274 | S * | 5/2010 | Kim | | D99/28 |
| D625,485 | S * | 10/2010 | Lee | | D99/28 |
| D629,585 | S * | 12/2010 | Bleck | | D14/307 |
| D651,375 | S * | 12/2011 | Lee | | D99/28 |
| D653,424 | S * | 1/2012 | Rohan | | D14/307 |
| D672,525 | S * | 12/2012 | Lee | | D14/900 |
| D696,484 | S * | 12/2013 | Lee | | D99/28 |
| D696,485 | S * | 12/2013 | Lee | | D99/28 |
| D806,349 | S * | 12/2017 | Birnie | | D99/28 |
| 2004/0262379 | A1 * | 12/2004 | Gomes | | G06Q 30/06 235/379 |
| 2005/0029340 | A1 * | 2/2005 | Ferraro | | G07F 7/00 235/379 |
| 2006/0073883 | A1 * | 4/2006 | Franks, Jr. | | G06Q 30/02 463/25 |
| 2008/0265019 | A1 * | 10/2008 | Artino | | G06Q 20/1085 235/379 |
| 2008/0296365 | A1 * | 12/2008 | Schliebe | | G01G 19/52 235/379 |
| 2009/0057398 | A1 * | 3/2009 | Douglass | | G07F 19/20 235/379 |
| 2010/0187300 | A1 * | 7/2010 | Ramachandran | | G07F 19/20 235/379 |

* cited by examiner

Fig 1

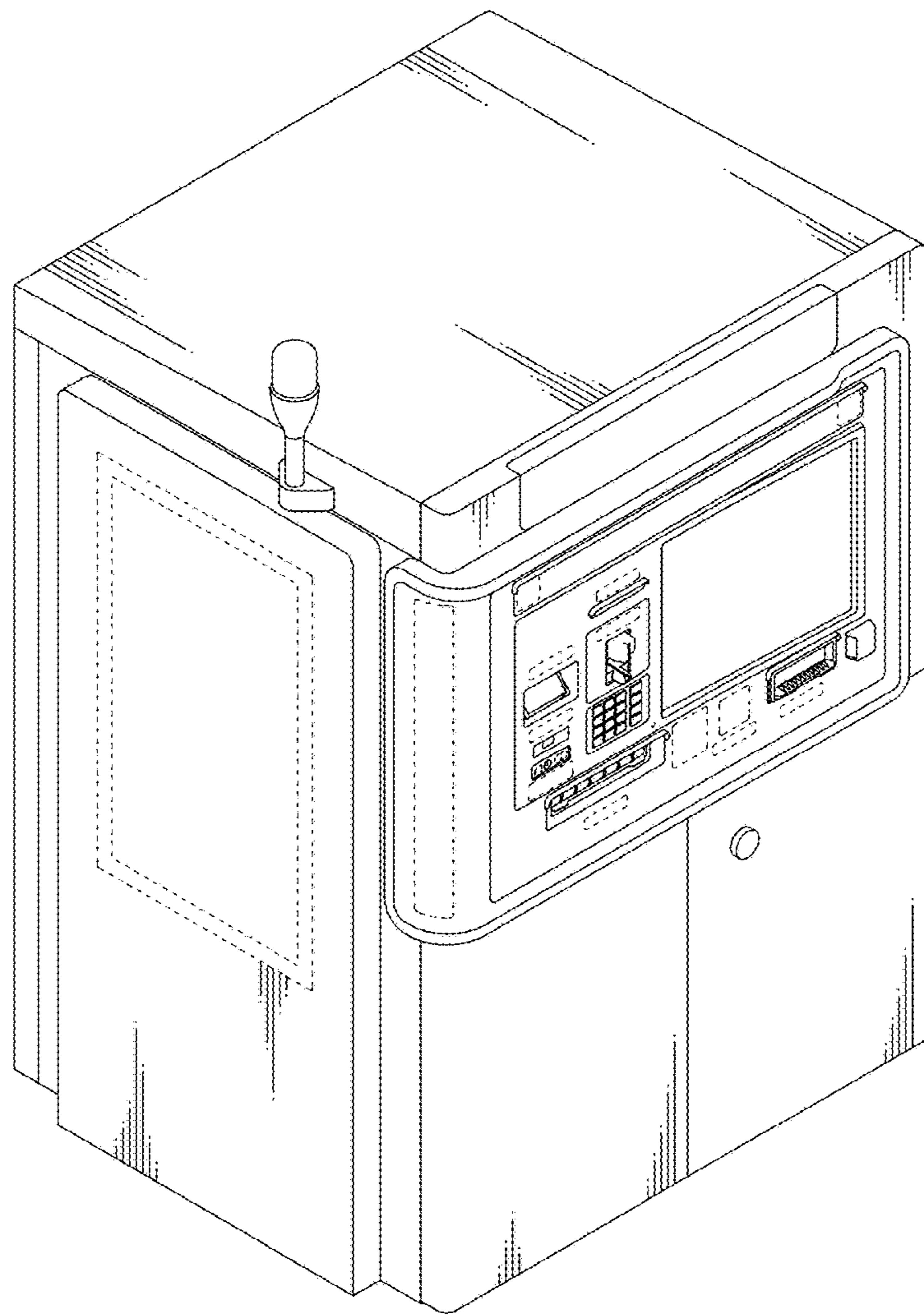


Fig 2

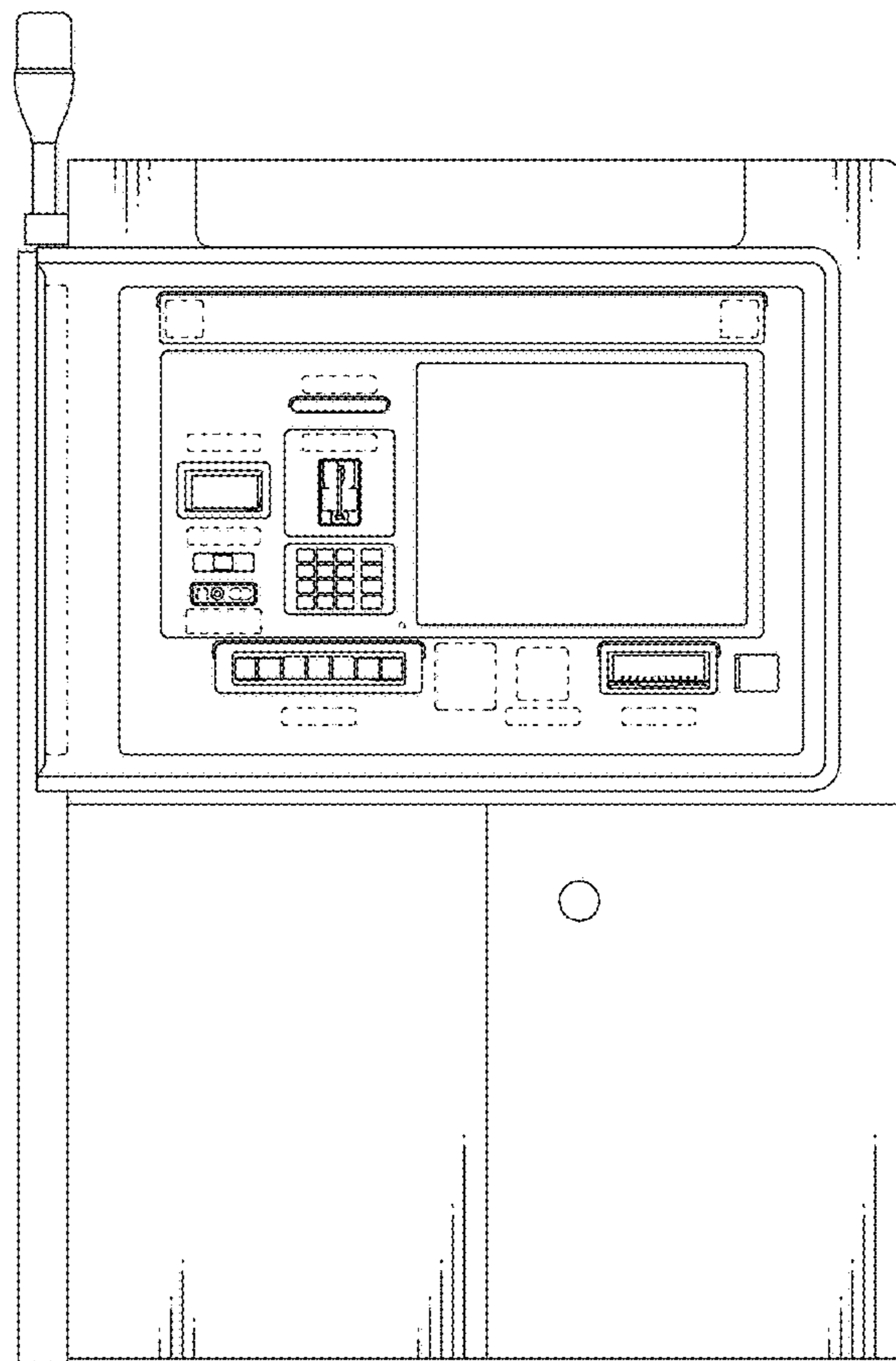


Fig 3

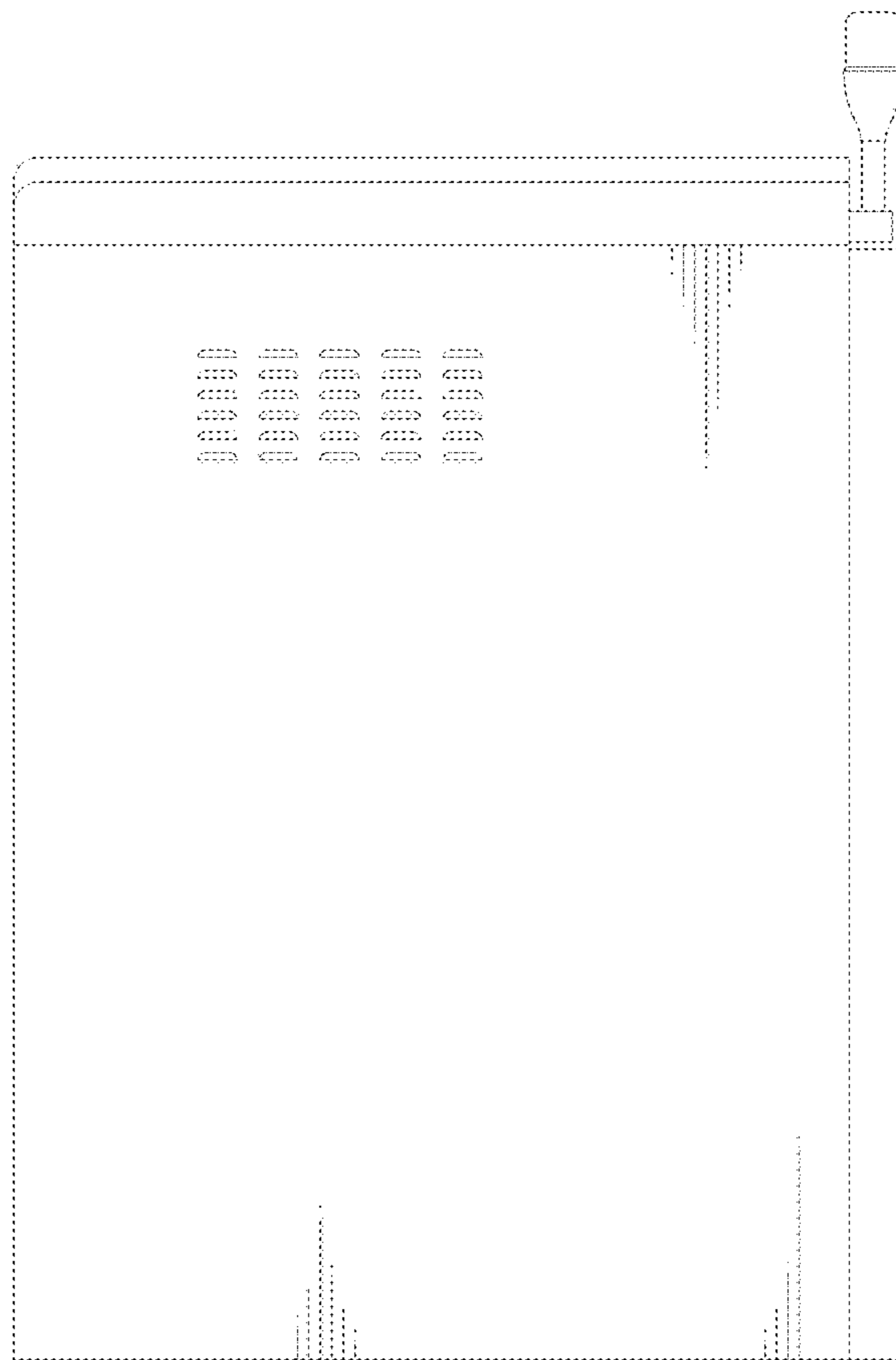


Fig 4

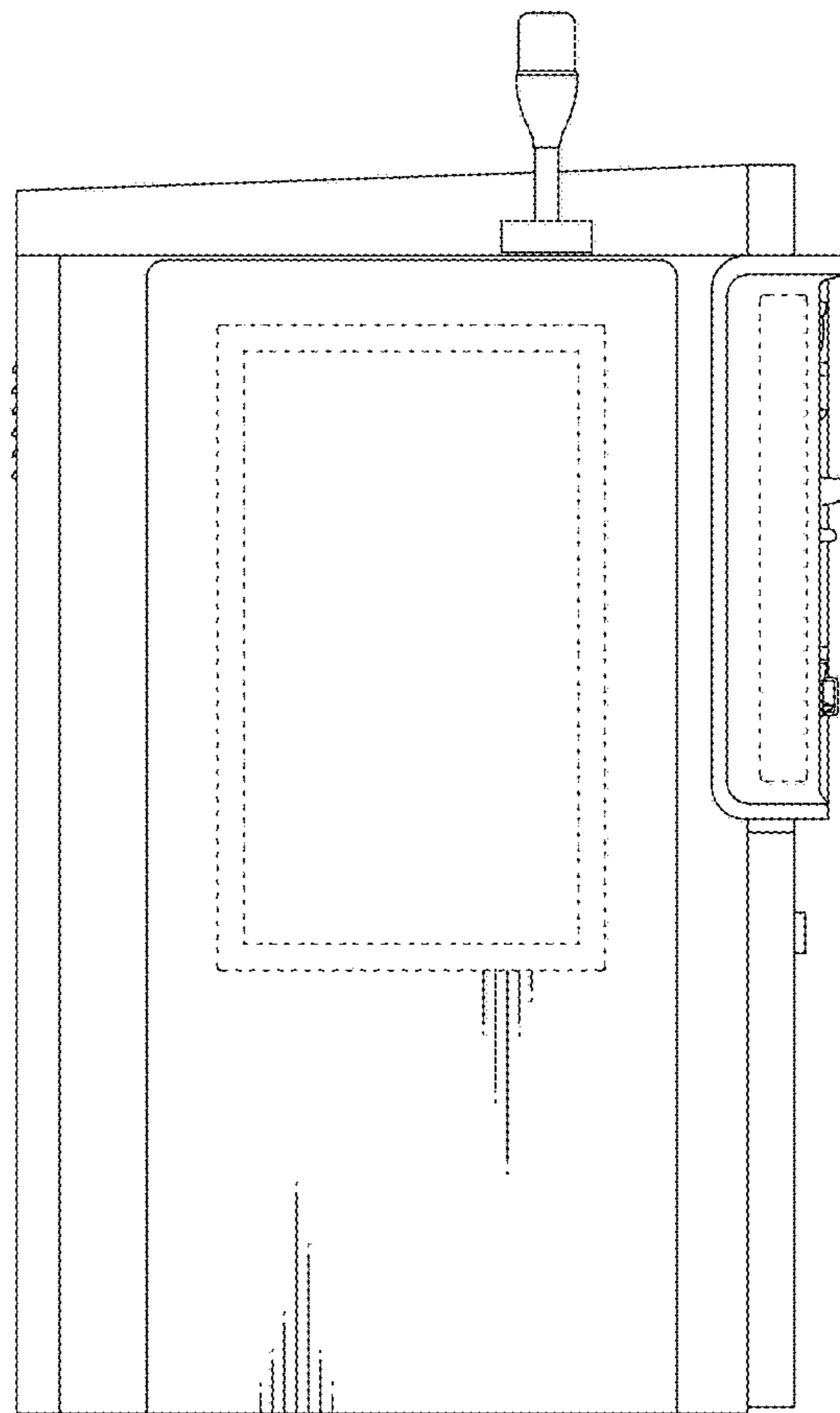


Fig 5

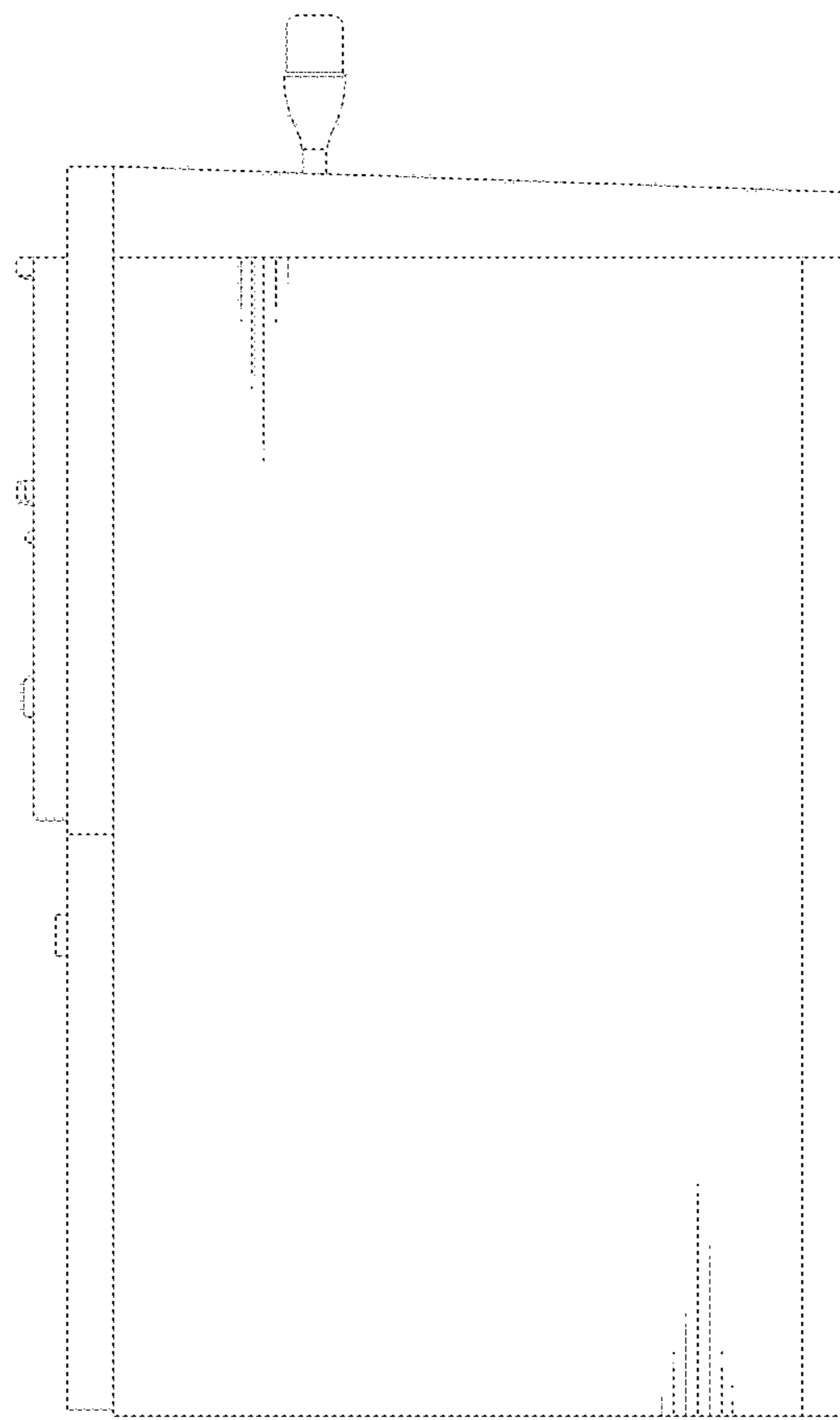


Fig 6

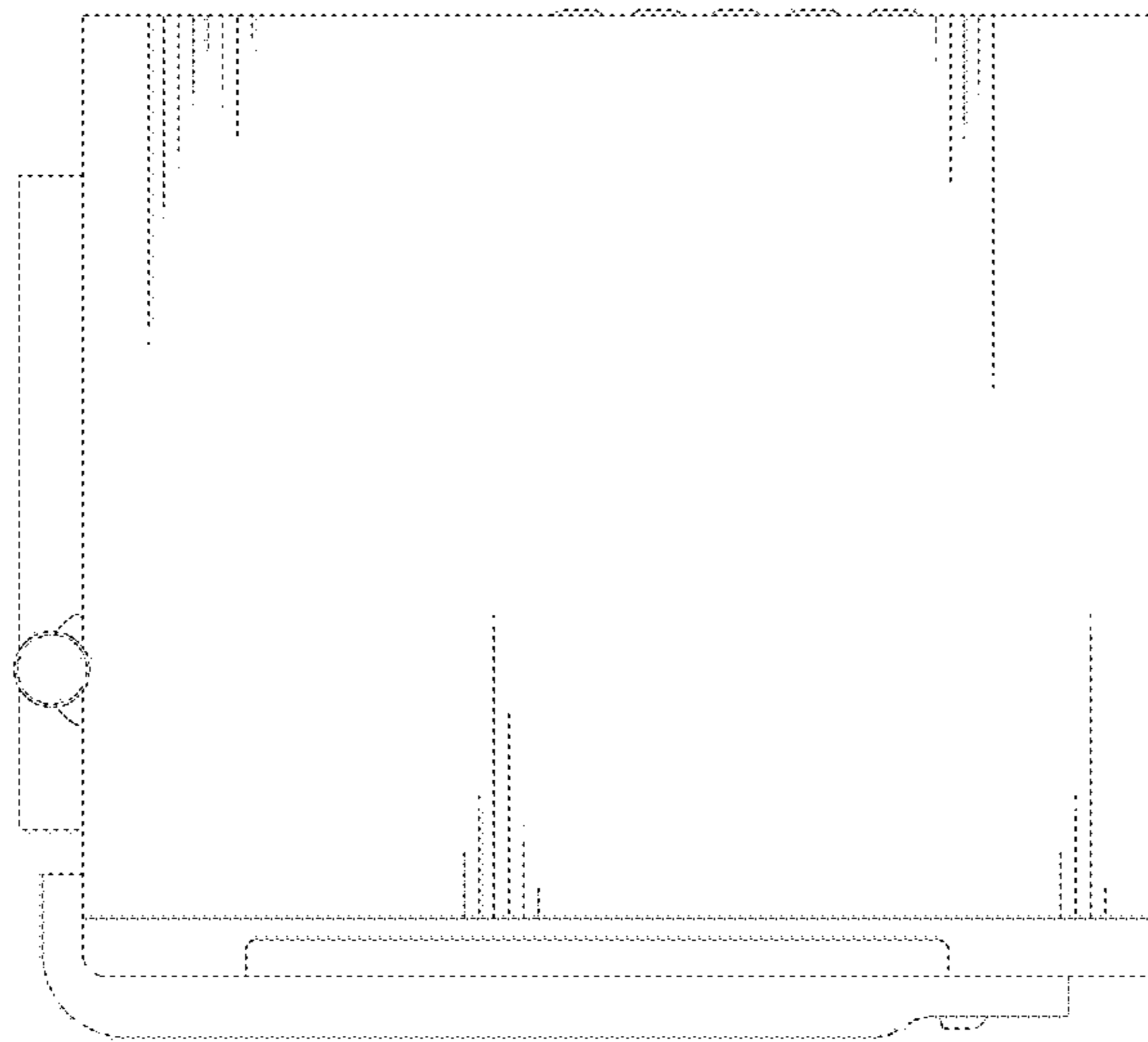


Fig 7

