



US00D853075S

(12) **United States Design Patent** (10) **Patent No.:** **US D853,075 S**
Block et al. (45) **Date of Patent:** **** Jul. 2, 2019**

- (54) **AUTOMATED TRANSACTION MACHINE**
- (71) Applicant: **Diebold, Incorporated**, North Canton, OH (US)
- (72) Inventors: **Brian Block**, North Canton, OH (US);
Matt Zaugg, Monroe Falls, OH (US);
Alex Klein, Cuyahoga Falls, OH (US)
- (73) Assignee: **Diebold Nixdorf, Incorporated**, North Canton, OH (US)
- (**) Term: **15 Years**
- (21) Appl. No.: **29/543,475**
- (22) Filed: **Oct. 24, 2015**
- (51) **LOC (11) Cl.** **20-01**
- (52) **U.S. Cl.**
USPC **D99/28; D14/307**
- (58) **Field of Classification Search**
USPC D18/1–12.3, 46–49; D14/125–127, 230,
D14/307, 314, 323, 336, 345, 385, 422,
D14/496, 373, 371, 374–377, 341, 389;
705/16, 17; D99/34, 43, 28; 235/449
CPC G07G 1/0018; G07G 1/12; G06F 21/86;
G07F 19/20; G07F 19/205
See application file for complete search history.

- D781,843 S * 3/2017 Horn, II D14/307
- D782,467 S * 3/2017 Bladwell D14/307
- D825,133 S * 8/2018 Park D99/28
- 2006/0195567 A1* 8/2006 Mody G07F 19/20
709/224
- 2011/0137453 A1* 6/2011 Doi G07F 19/20
700/214
- 2014/0339302 A1* 11/2014 Crews G07F 19/20
235/379

* cited by examiner

Primary Examiner — Brett Miller

(74) *Attorney, Agent, or Firm* — Black, McCuskey, Souers & Arbaugh LPA

(57) **CLAIM**

The ornamental design for an automated transaction machine, as shown and described.

DESCRIPTION

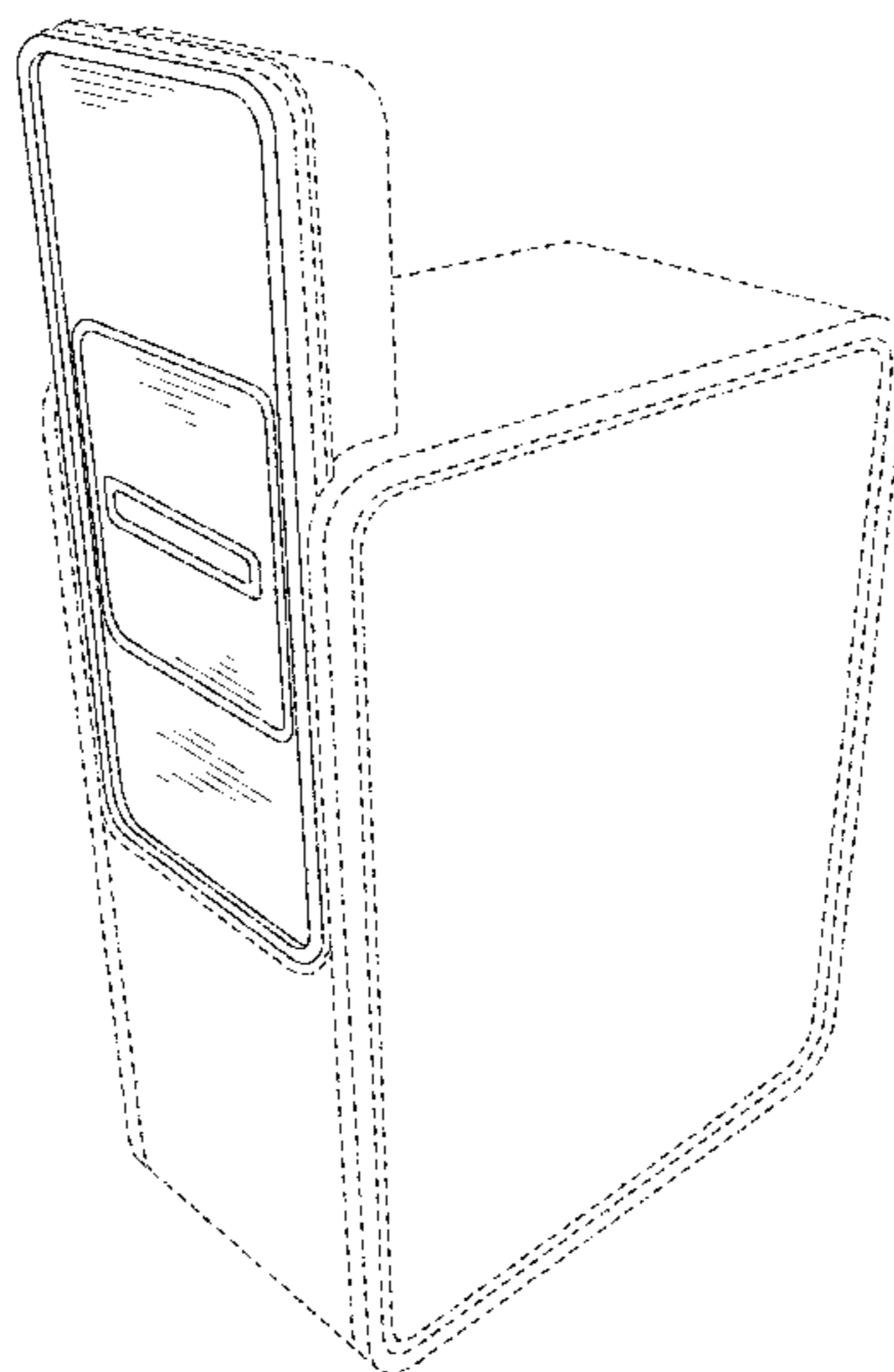
FIG. 1 is a right-front perspective view of an automated transaction machine design of the present invention.
 FIG. 2 is left-back perspective view of an automated transaction machine design of the present invention.
 FIG. 3 is a front view of an automated transaction machine design of the present invention.
 FIG. 4 is view of the right side of an automated transaction machine design of the present invention.
 FIG. 5 is view of the left side of an automated transaction machine design of the present invention.
 FIG. 6 is a back view of the design of an automated transaction machine of the present invention; and,
 FIG. 7 is a top view of an automated transaction machine design of the present invention.
 The bottom of the automated transaction machine is flat and devoid of ornamentation.
 The broken lines in the Figures show portions of the automated transaction machine which form no part of the claimed design.

1 Claim, 7 Drawing Sheets

(56) **References Cited**

U.S. PATENT DOCUMENTS

- D189,549 S * 1/1961 Koci D18/3.1
- D678,652 S * 3/2013 Budde D99/28
- D692,881 S * 11/2013 Akana D14/341
- 8,700,473 B1 * 4/2014 Lindemann G07F 19/20
235/381
- D722,640 S * 2/2015 Miyake D18/4.1
- D728,557 S * 5/2015 Soares D14/307
- D732,521 S * 6/2015 Chadbourne D14/307
- D769,569 S * 10/2016 Kennedy D99/28
- D781,279 S * 3/2017 Horn, II D14/307



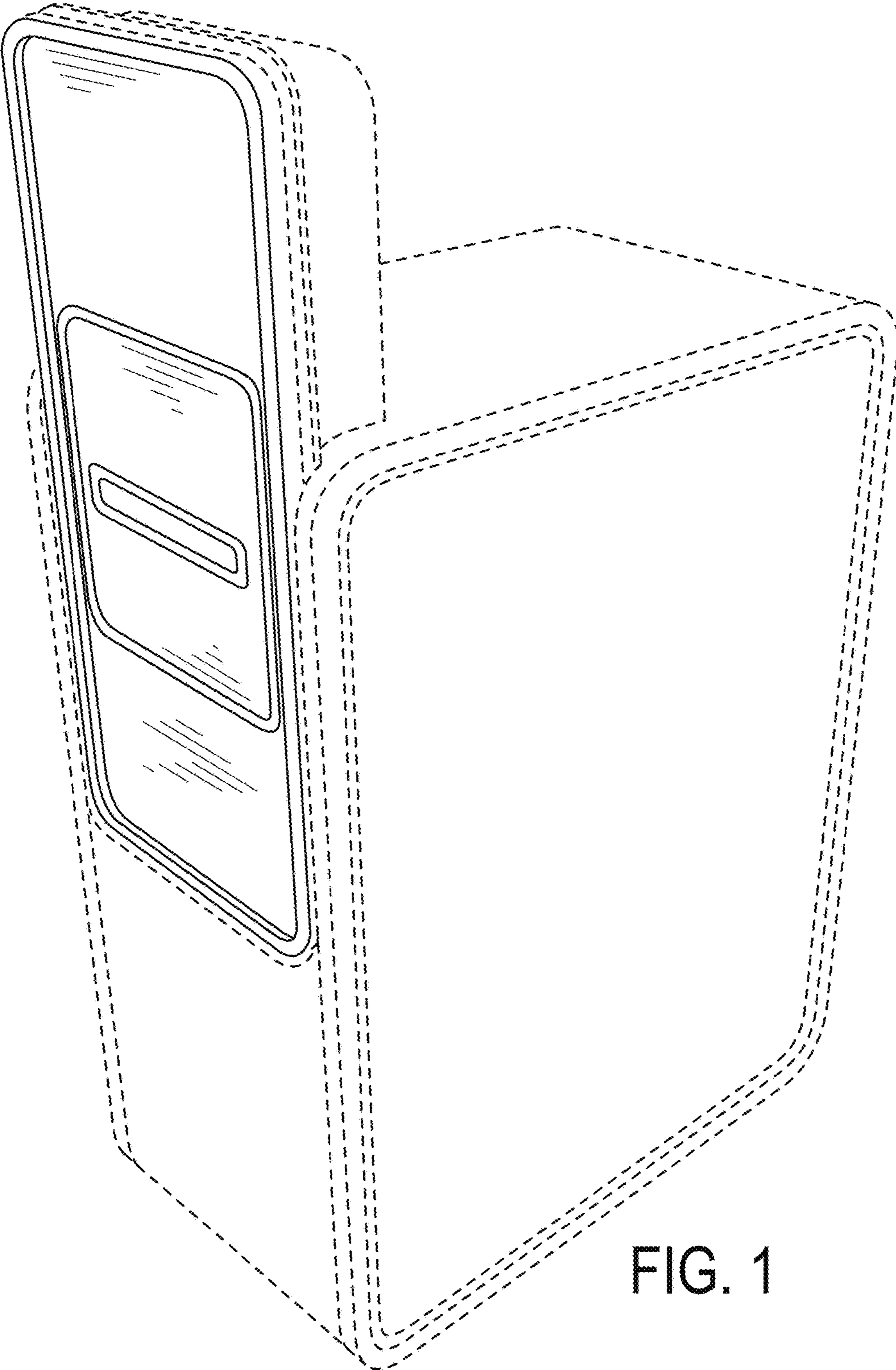


FIG. 1

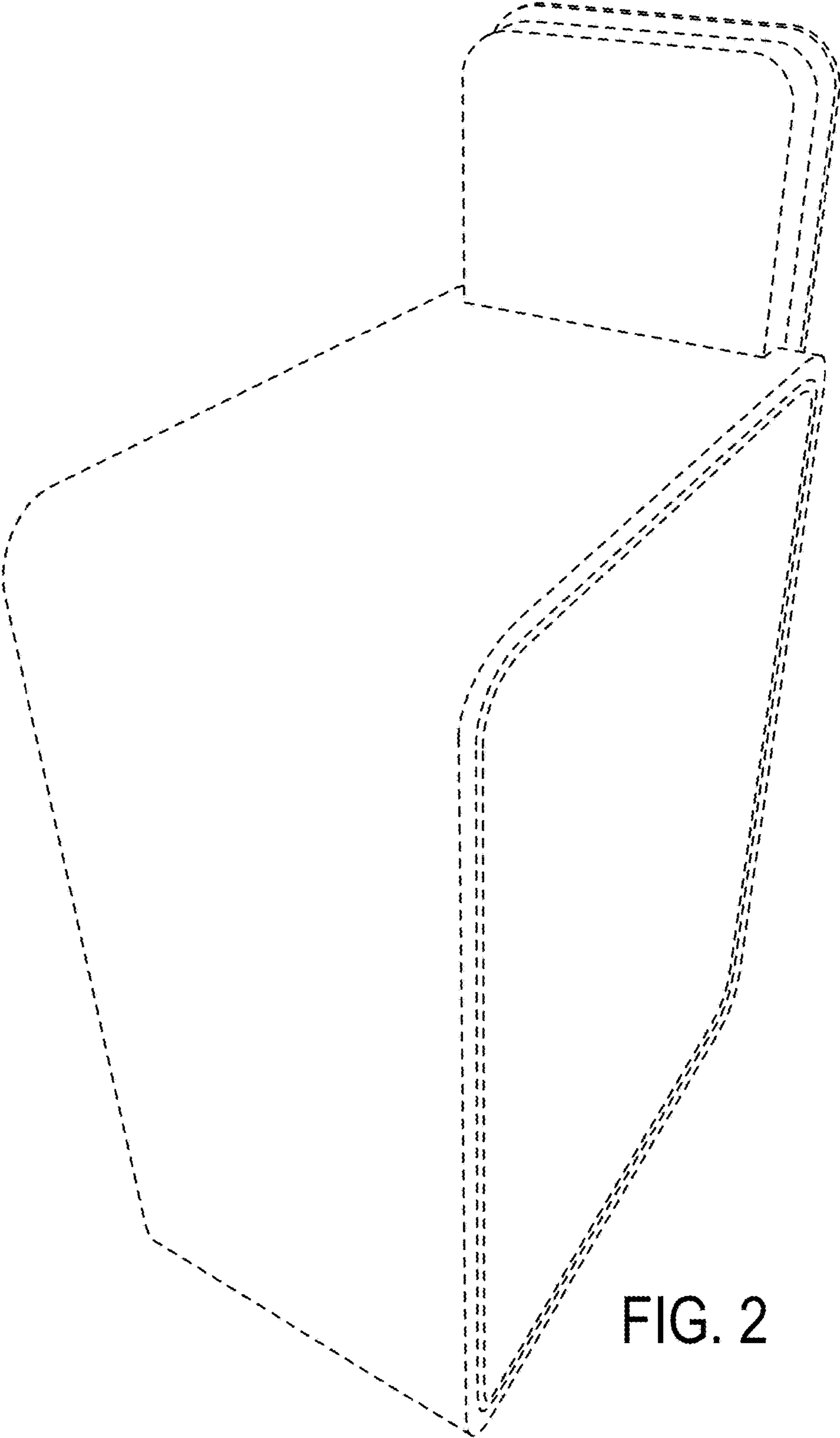


FIG. 2

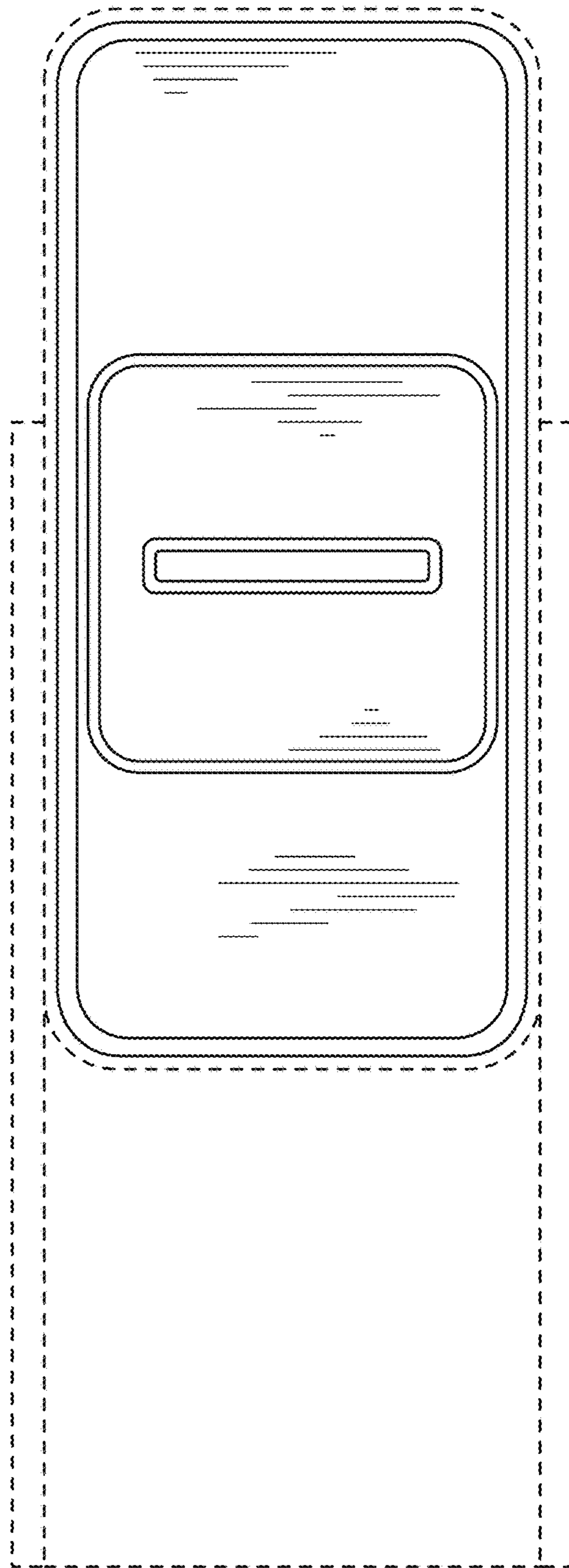


FIG. 3

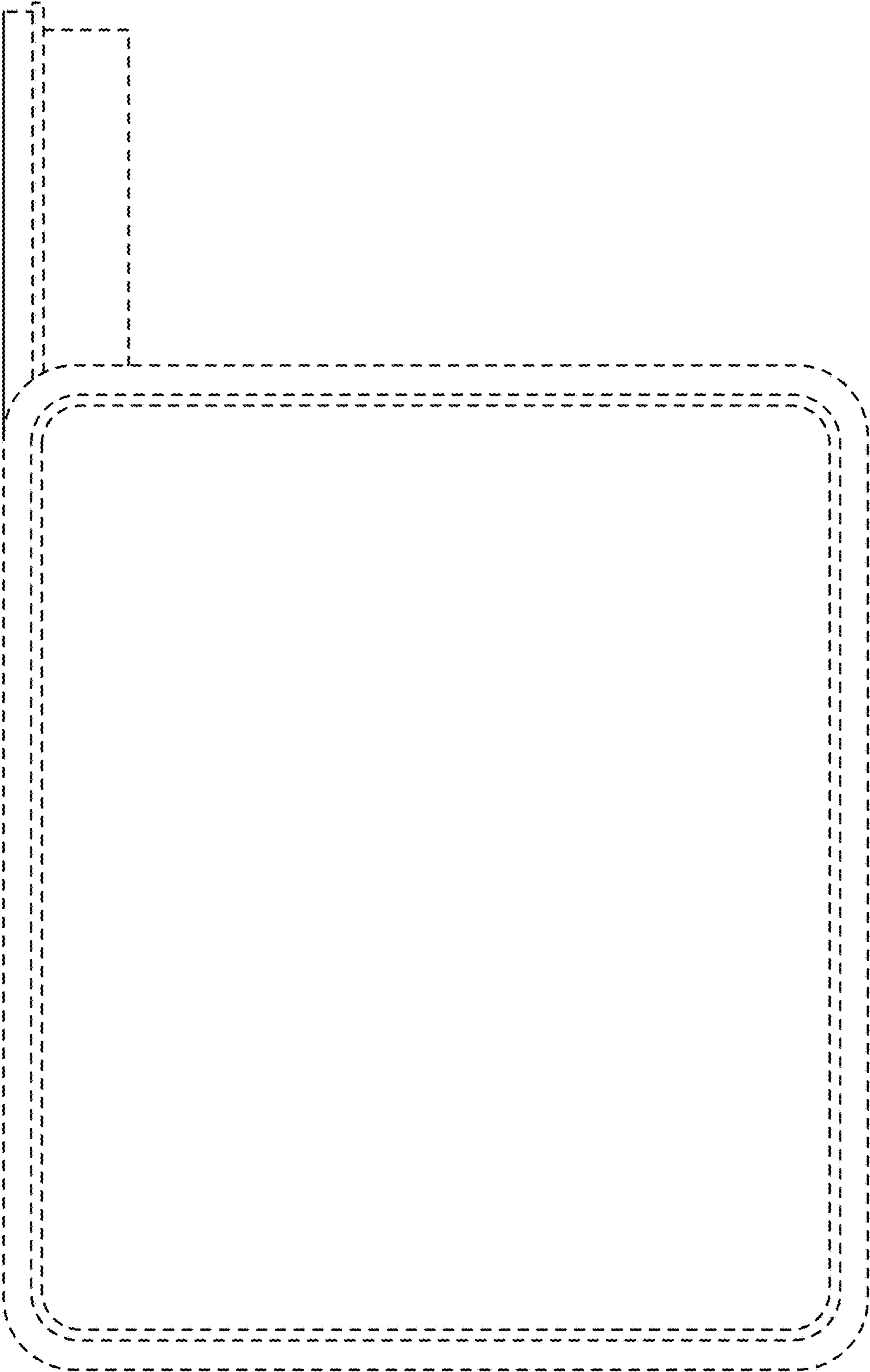


FIG. 4

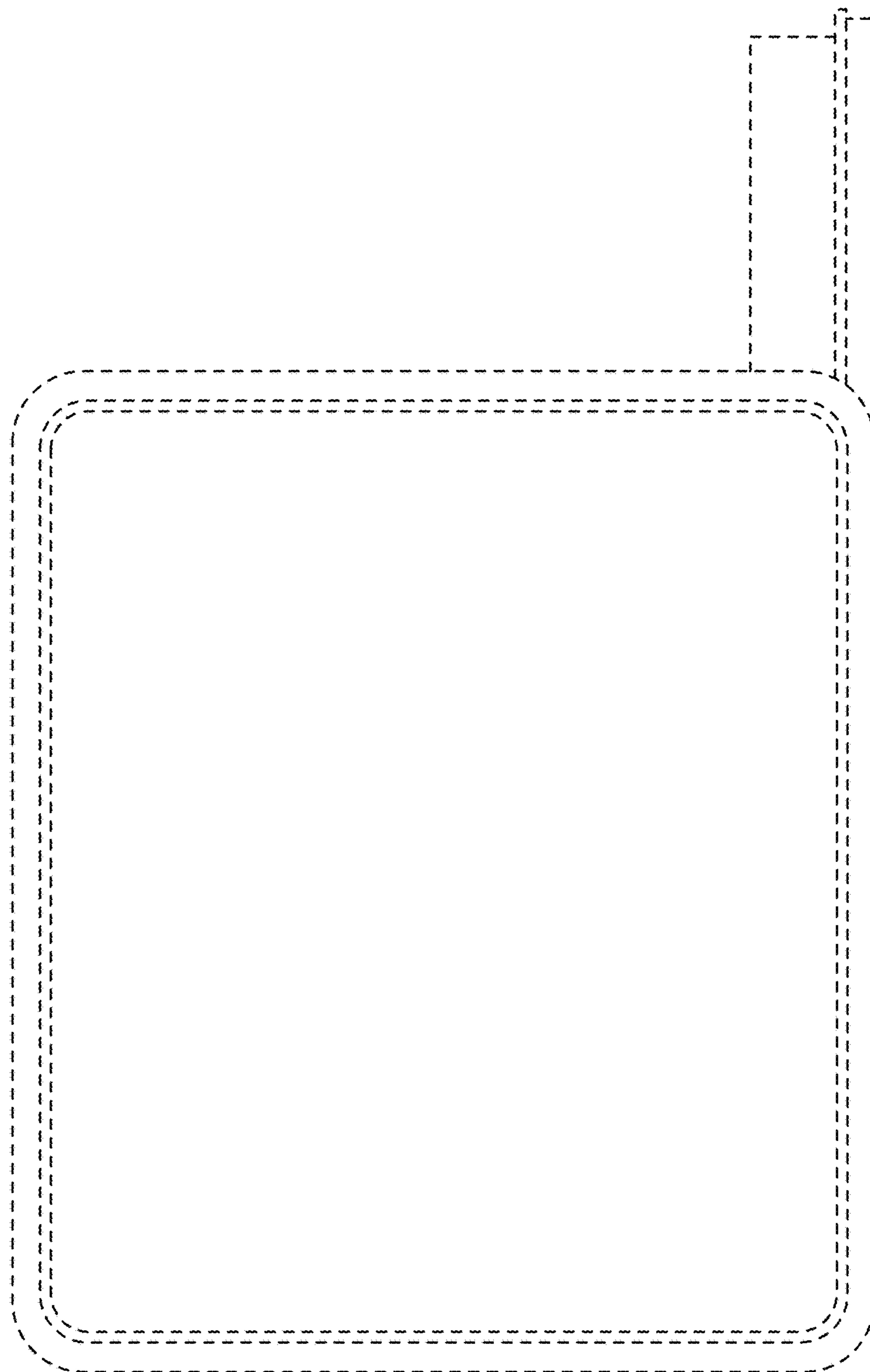


FIG. 5

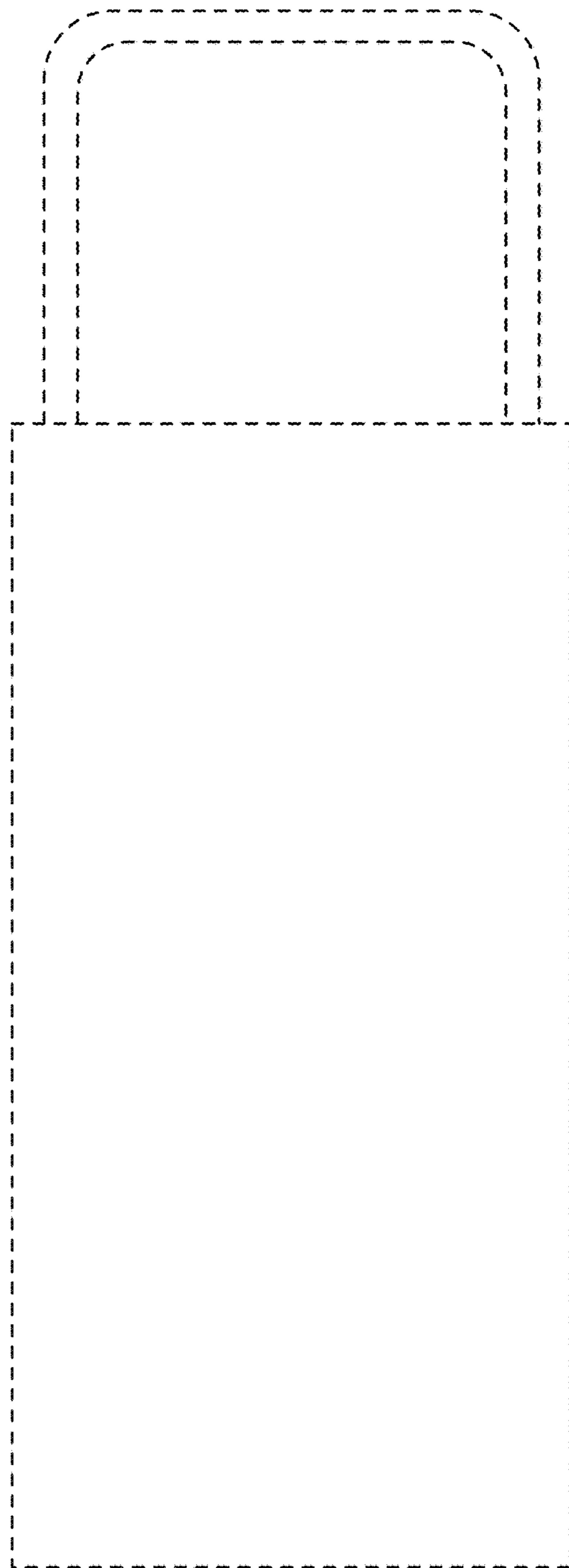


FIG. 6

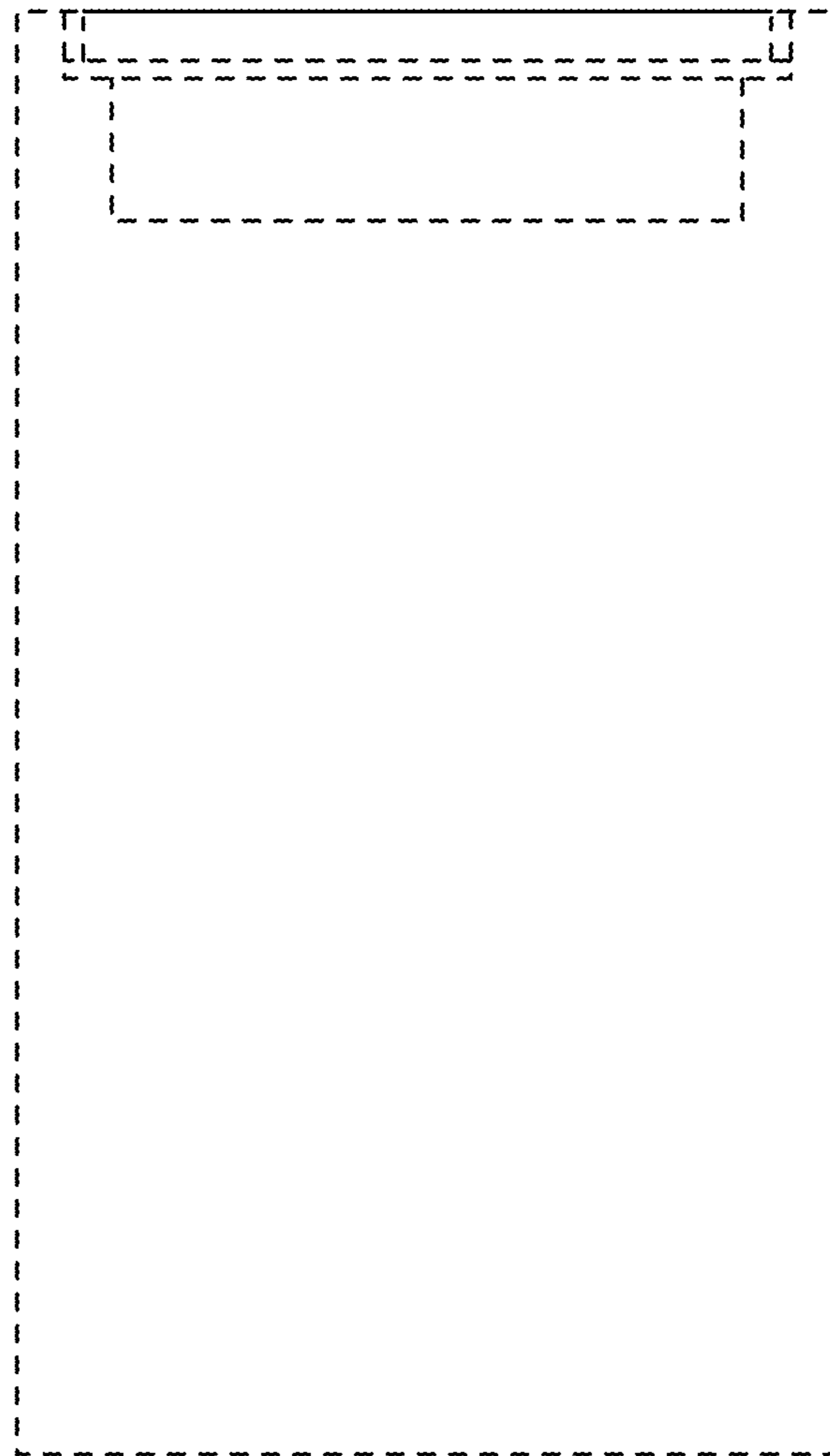


FIG. 7