



US00D853073S

(12) **United States Design Patent**
Blechsmidt

(10) **Patent No.:** **US D853,073 S**

(45) **Date of Patent:** **** Jul. 2, 2019**

(54) **FORKLIFT**

(71) Applicant: **HUBTEX MASCHINENBAU GMBH & CO. KG**, Fulda (DE)

(72) Inventor: **Klaus Blechsmidt**, Gotha (DE)

(73) Assignee: **HUBTEX MASCHINENBAU GMBH & CO. KG**, Fulda (DE)

(**) Term: **15 Years**

(21) Appl. No.: **29/667,034**

(22) Filed: **Oct. 18, 2018**

Related U.S. Application Data

(62) Division of application No. 35/503,740, filed on Sep. 8, 2017 (U.S. filing date under 35 U.S.C. 384), and having an international filing date of Sep. 8, 2017.

(30) **Foreign Application Priority Data**

Mar. 13, 2017 (EM) 003796671-0001
Mar. 13, 2017 (EM) 003796671-0003

(51) **LOC (11) Cl.** **12-05**

(52) **U.S. Cl.**
USPC **D34/34**

(58) **Field of Classification Search**
USPC D34/28, 33, 34, 37
CPC B66F 9/06; B66F 9/0655; B66F 9/07
See application file for complete search history.

(56) **References Cited**

U.S. PATENT DOCUMENTS

D313,100 S * 12/1990 Soederberg D12/14
D371,669 S * 7/1996 Yoon D34/28
D432,753 S * 10/2000 Braud D34/34

D542,005 S * 5/2007 Weiner D34/34
D564,174 S * 3/2008 Iguchi D34/34
D589,674 S * 3/2009 Stark D34/38
9,212,036 B2 * 12/2015 Keller B60G 21/05
D756,056 S * 5/2016 Wen D34/34
9,499,198 B2 * 11/2016 Otterbein B62D 7/1509
D808,106 S * 1/2018 Wen D34/28
9,932,213 B2 * 4/2018 Buchmann B66F 9/0755

OTHER PUBLICATIONS

www.hubtex.com: Order Picking Systems Brochure. Dated Jan. 2014; 20 pages. Found online Aug. 9, 2018 at <https://www.hubtex.com/english/downloads1/prospekte.html> (Year: 2014).*

www.hubtex.com: Diesel-Gas Fourway Sideloader Brochure. Dated Feb. 2017; 2 pages. Found online Aug. 9, 2018 at <https://www.hubtex.com/english/d> (Year: 2017).*

www.hubtex.com: Electric Multidirectional Sideloader Brochure. Dated Apr. 2011; 24 pages. Found online Aug. 9, 2018 at <https://www.hubtex.com/english/d> (Year: 2011).*

* cited by examiner

Primary Examiner — Robert M. Spear
(74) *Attorney, Agent, or Firm* — Norman B. Thot

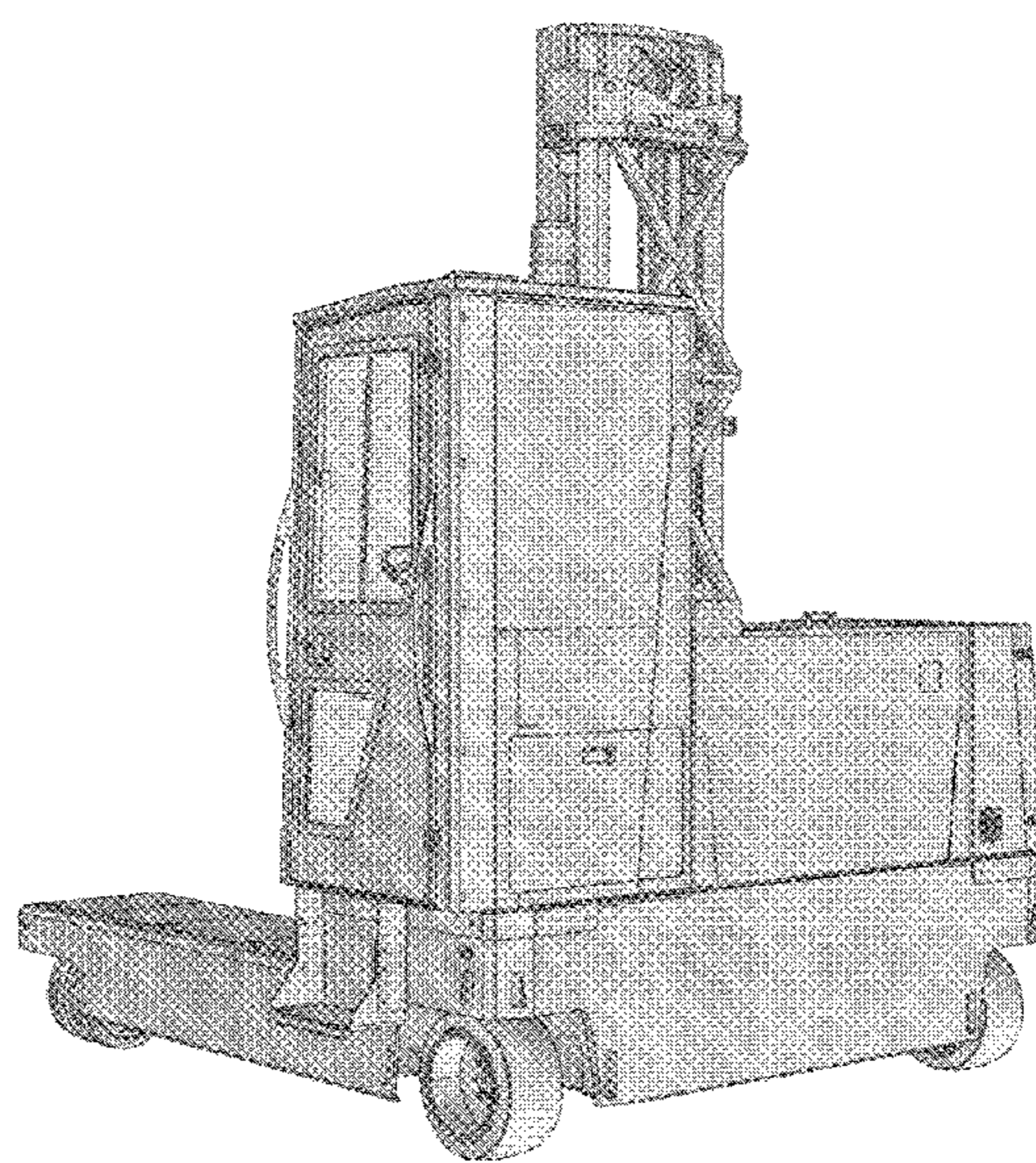
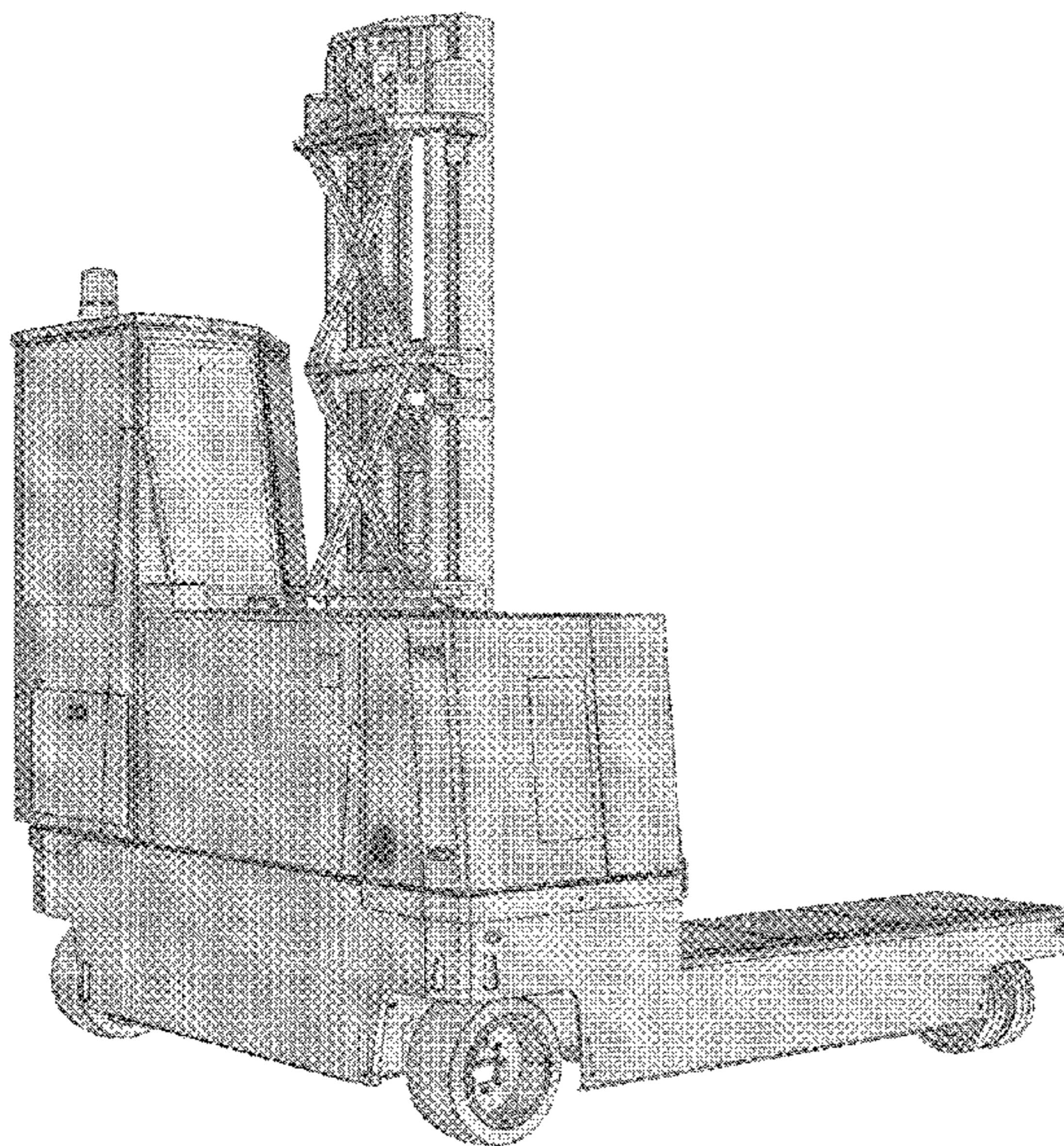
(57) **CLAIM**

The ornamental design for a forklift, as shown and described.

DESCRIPTION

FIG. 1 is back-side view of a forklift showing my new design;
FIG. 2 is front-side view thereof;
FIG. 3 is right-side view thereof;
FIG. 4 is a left-side view thereof;
FIG. 5 is a top-side-side view thereof;
FIG. 6 is a left-side, back-side perspective view thereof; and,
FIG. 7 is a right-side, back-side perspective view thereof.

1 Claim, 7 Drawing Sheets



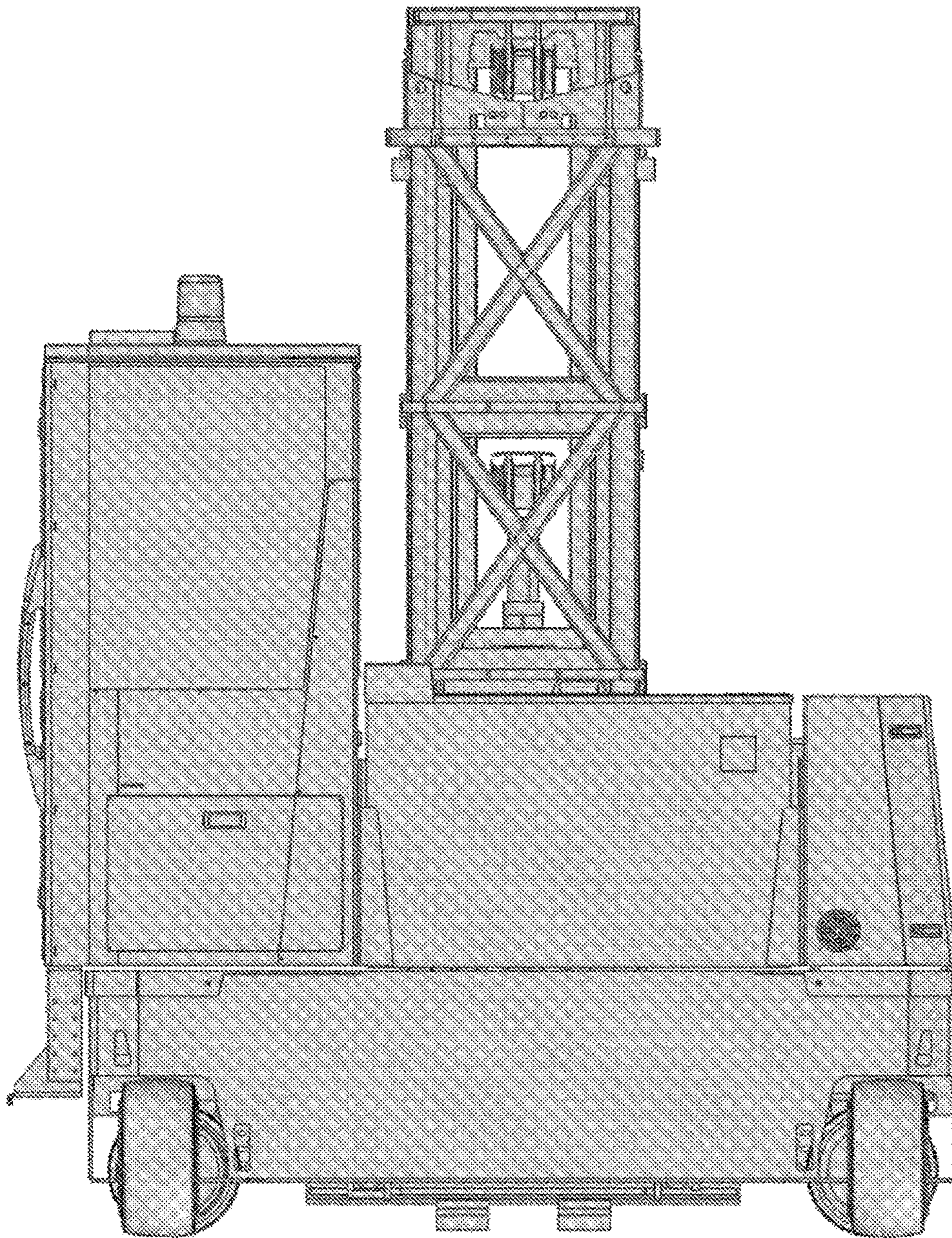


Fig. 1

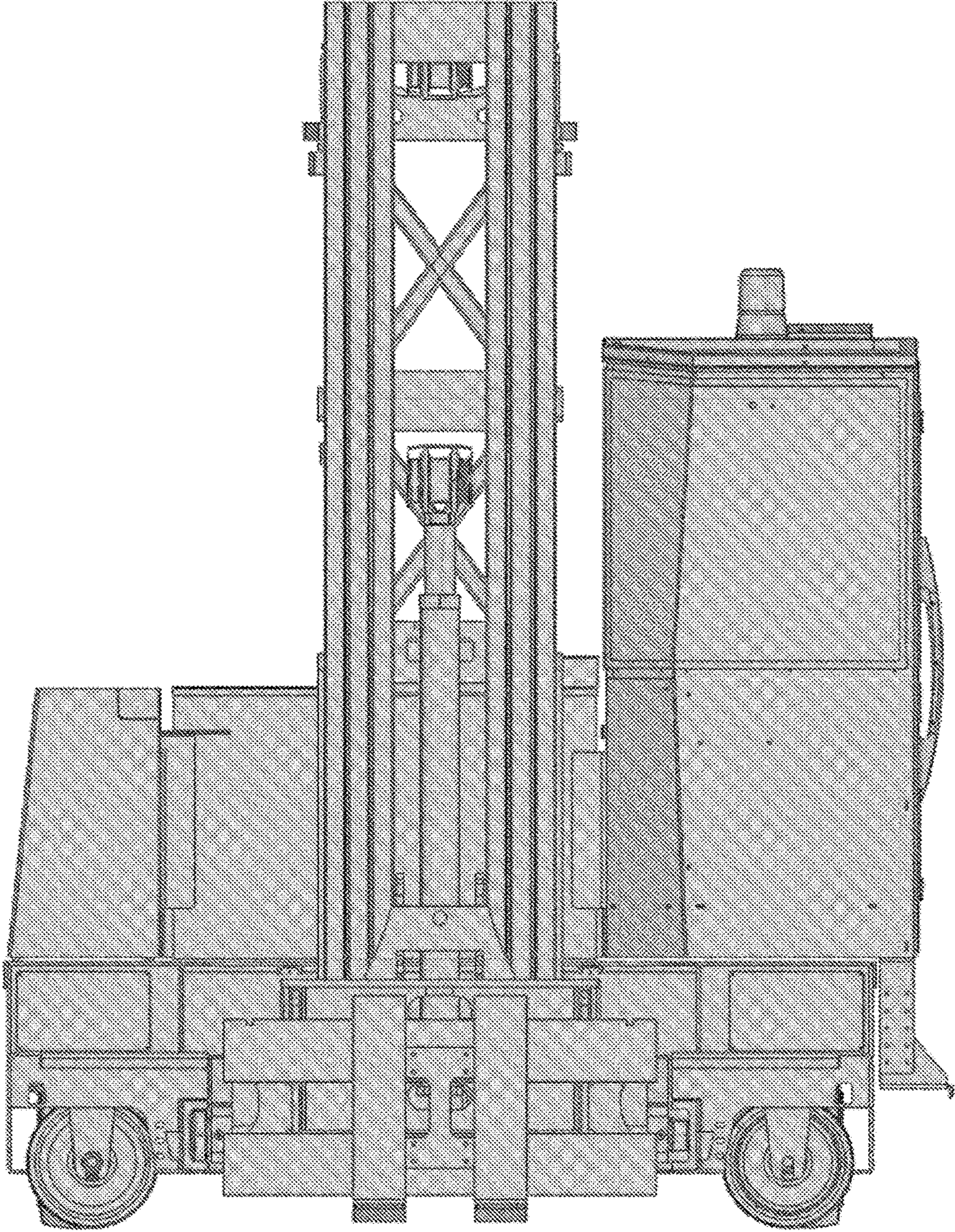


Fig. 2

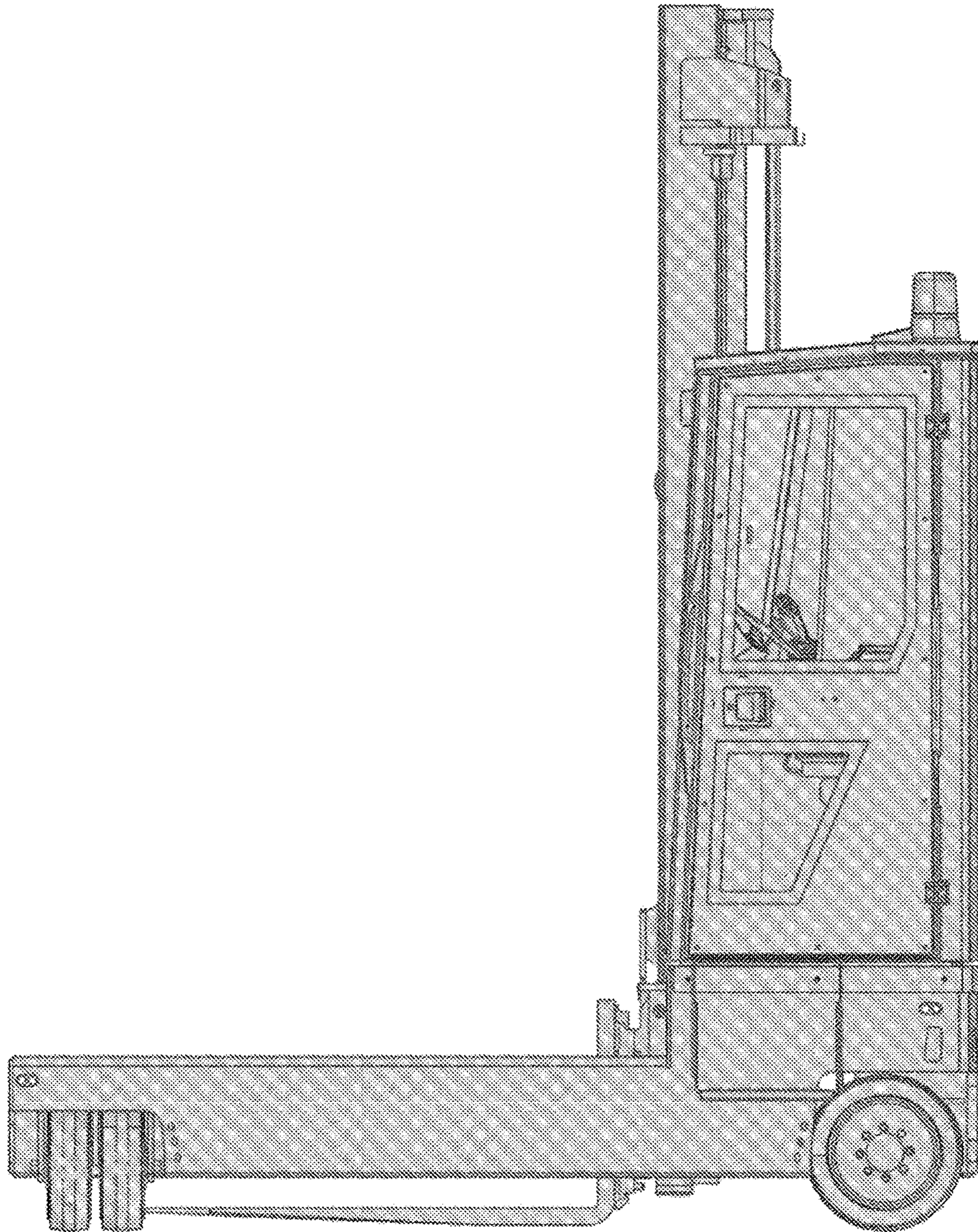


Fig. 3

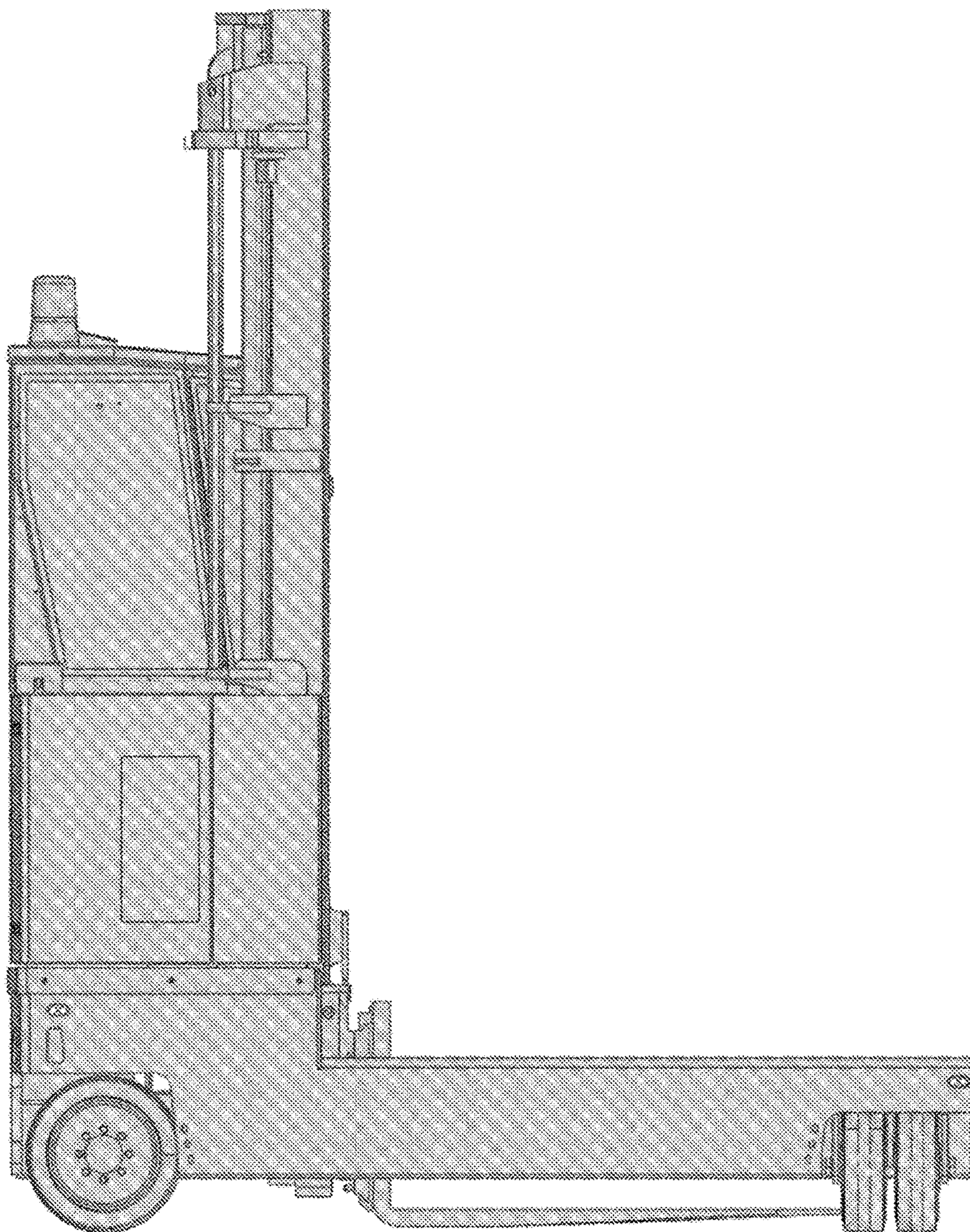


Fig. 4

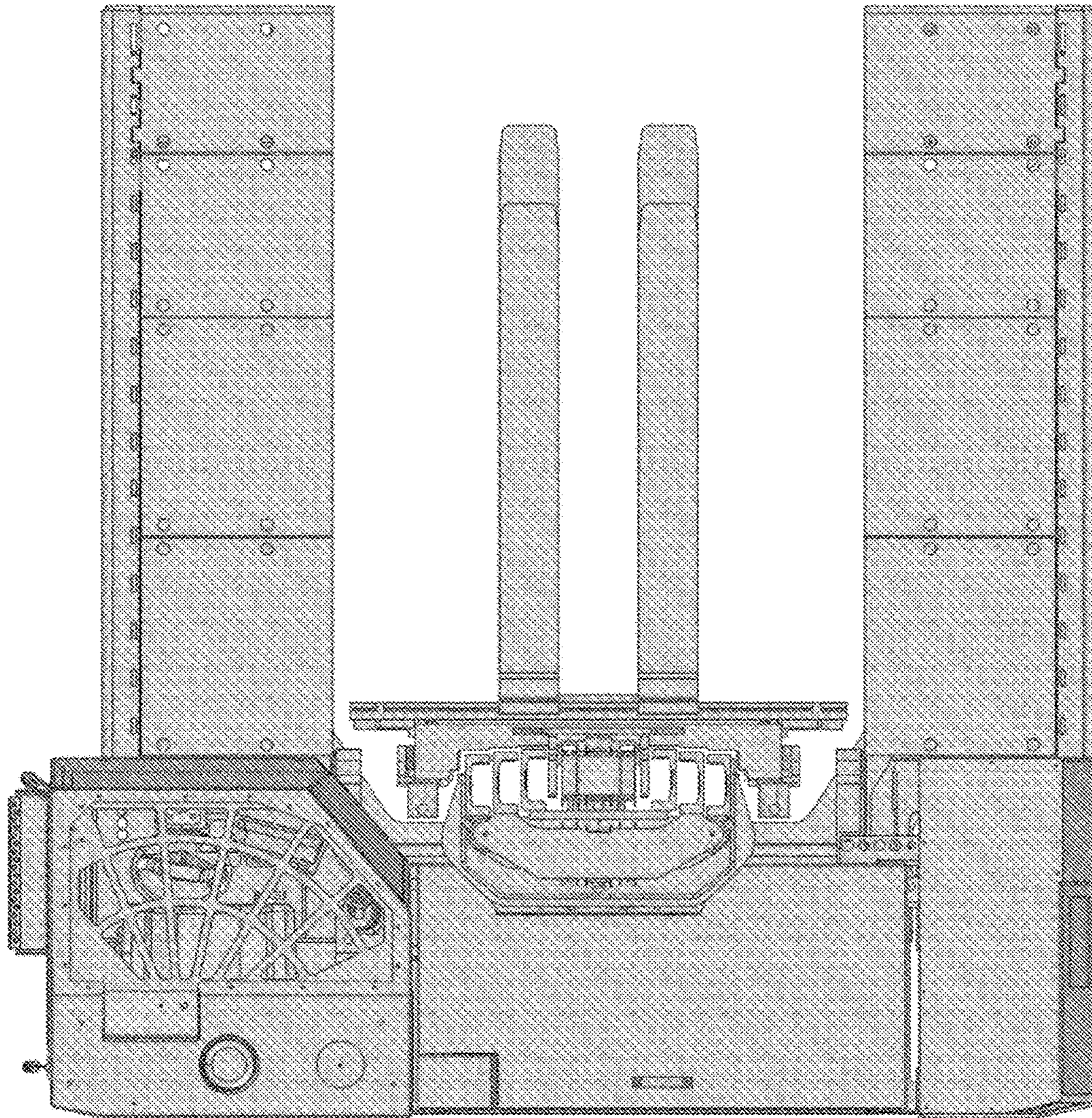


Fig. 5

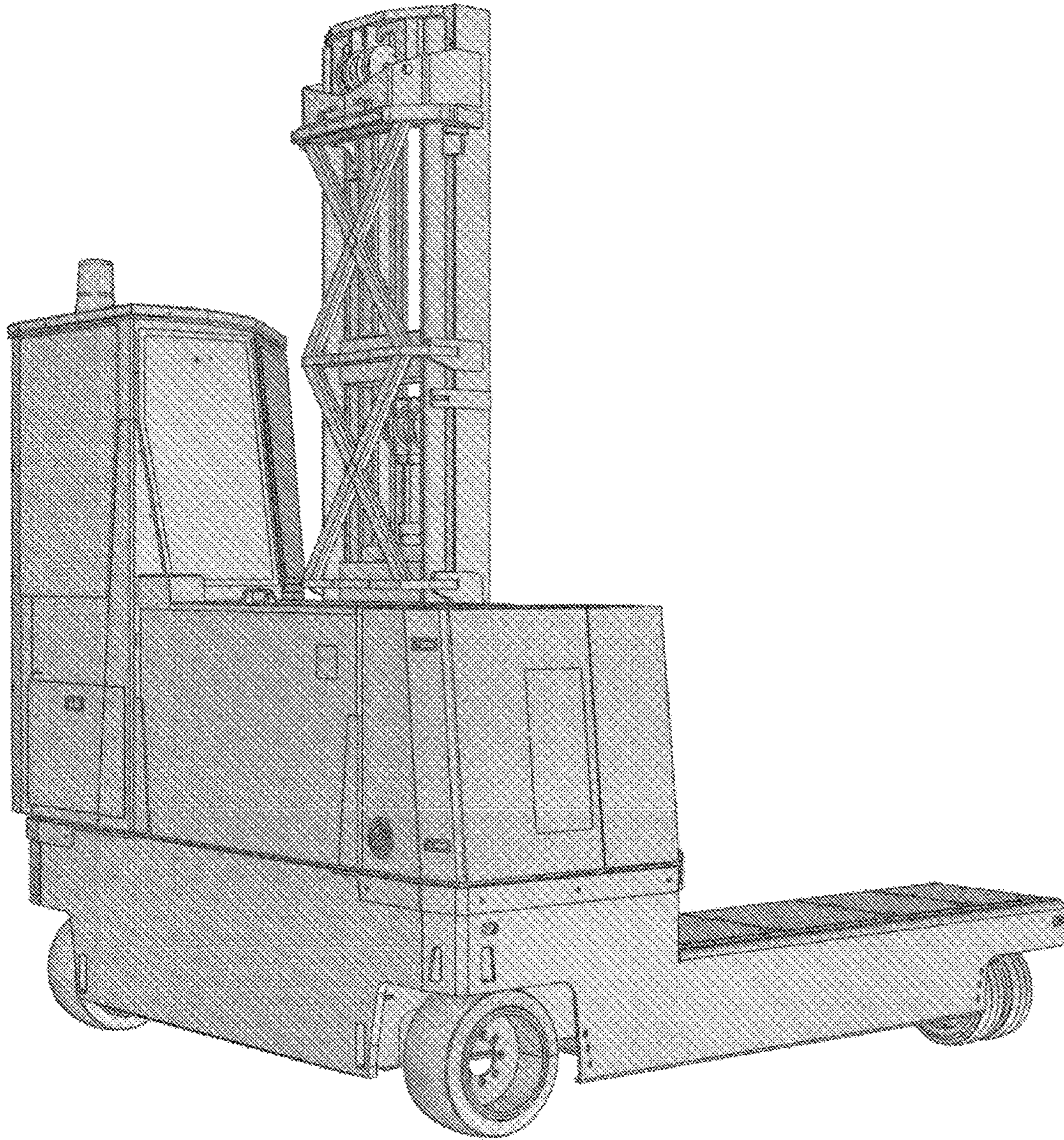


Fig. 6

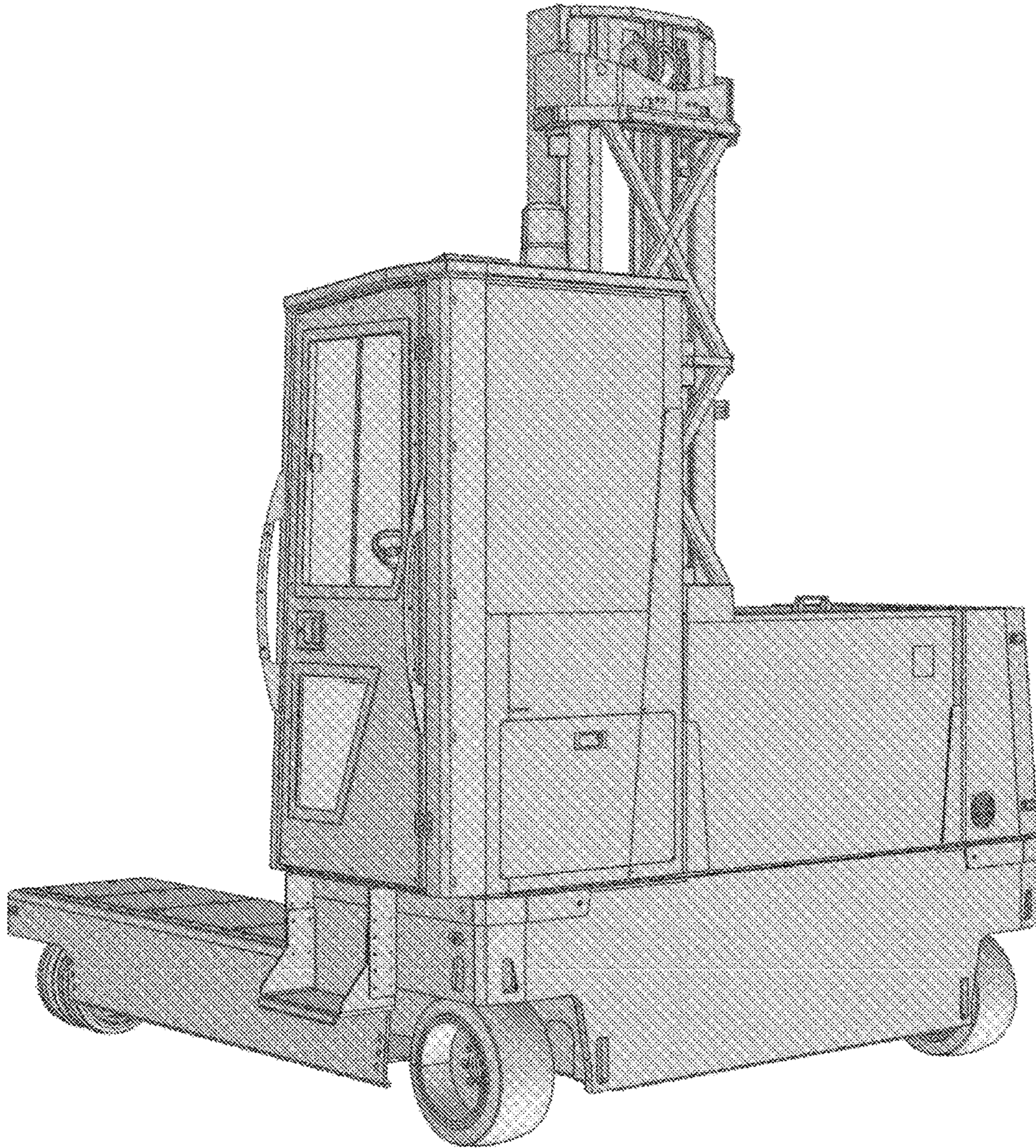


Fig. 7