



US00D853070S

(12) **United States Design Patent** (10) **Patent No.:** **US D853,070 S**
Baez (45) **Date of Patent:** **** Jul. 2, 2019**

- (54) **FOOD TRAY BOTTOM FRAME**
- (71) Applicant: **CAMBRO MANUFACTURING COMPANY**, Huntington Beach, CA (US)
- (72) Inventor: **Jorge Baez**, Lake Forest, CA (US)
- (73) Assignee: **Cambro Manufacturing Company**, Huntington Beach, CA (US)
- (**) Term: **15 Years**
- (21) Appl. No.: **29/627,361**
- (22) Filed: **Nov. 27, 2017**
- (51) **LOC (11) Cl.** **12-02**
- (52) **U.S. Cl.**
USPC **D34/27**
- (58) **Field of Classification Search**
USPC D34/12, 17, 27, 21; D6/675.1
CPC . A47B 31/02; A47J 39/02; B25H 3/00; B25H 3/03; B25H 3/06; B25H 3/10; B25H 5/00
See application file for complete search history.

(56) **References Cited**

U.S. PATENT DOCUMENTS

| | | | | | |
|-----------|------|---------|-----------|-------|------------|
| 2,787,891 | A * | 4/1957 | Hengehold | | A47J 39/02 |
| | | | | | 220/529 |
| 2,886,186 | A * | 5/1959 | Hamilton | | A47B 31/00 |
| | | | | | 108/189 |
| 2,948,798 | A * | 8/1960 | Ness | | A47B 31/02 |
| | | | | | 126/37 R |
| D393,558 | S * | 4/1998 | Thorp | | D6/675.1 |
| D400,334 | S * | 10/1998 | Hawkins | | D34/21 |
| 6,264,220 | B1 * | 7/2001 | Pierce | | B25H 3/04 |
| | | | | | 280/47.35 |
| 6,669,214 | B1 * | 12/2003 | Domis | | B25H 3/00 |
| | | | | | 280/47.19 |

| | | | | | |
|--------------|------|--------|-----------|-------|------------|
| D588,322 | S * | 3/2009 | Tilk | | D34/20 |
| D710,064 | S * | 7/2014 | Schumaker | | D34/17 |
| D814,134 | S * | 3/2018 | Whiteside | | D34/27 |
| 2012/0085745 | A1 * | 4/2012 | Brattoli | | A47B 31/02 |
| | | | | | 219/386 |

* cited by examiner

Primary Examiner — Cynthia Ramirez

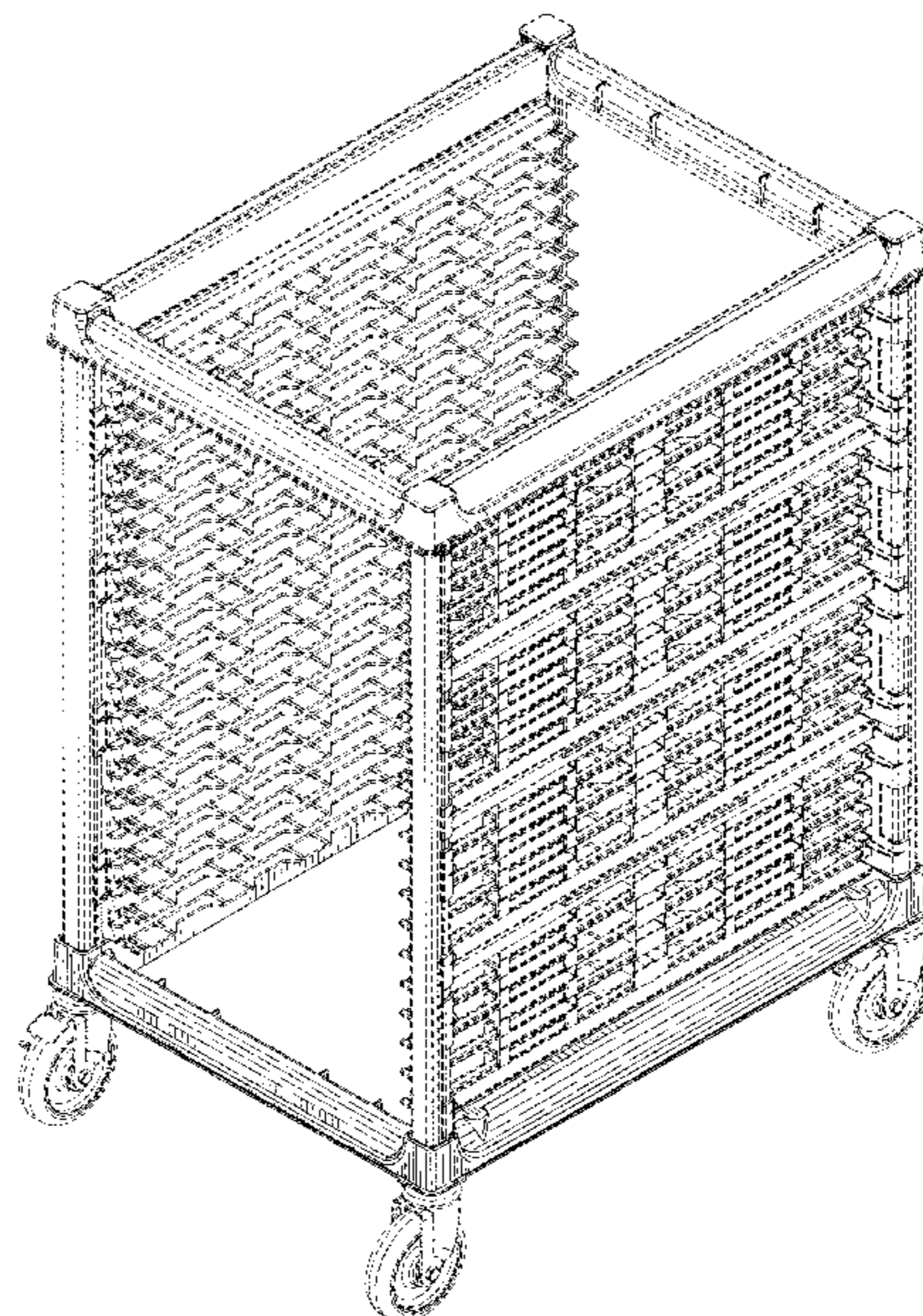
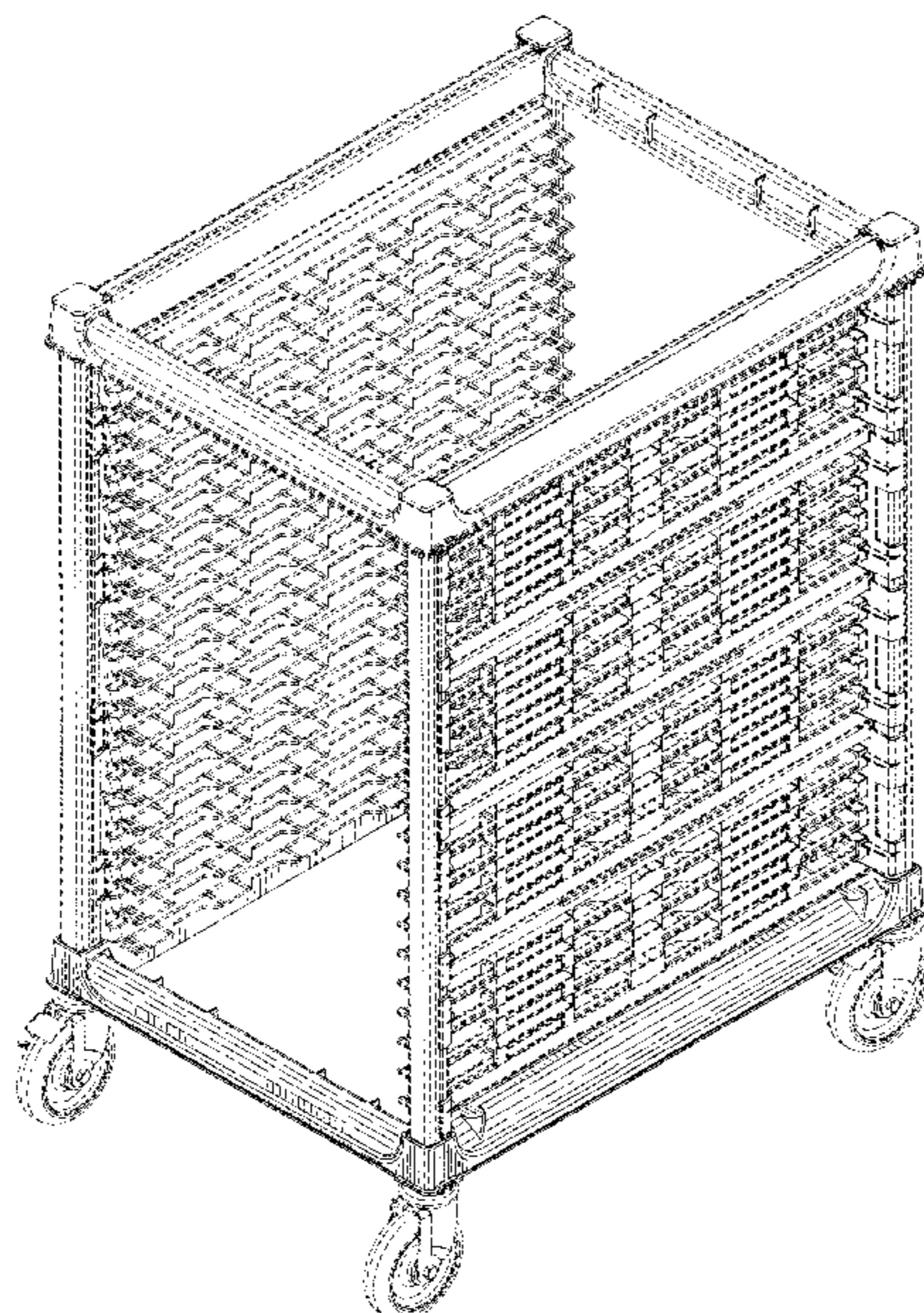
(57) **CLAIM**

I claim the ornamental design for a food tray bottom frame, as shown and described.

DESCRIPTION

FIG. 1 is a frontal perspective view of the food tray bottom frame.
 FIG. 2 is a top plan view thereof.
 FIG. 3 is a front elevation view thereof.
 FIG. 4 is a right side elevation view thereof.
 FIG. 5 is a left side elevation view thereof.
 FIG. 6 is a rear elevation view thereof.
 FIG. 7 is a bottom plan view thereof.
 FIG. 8 is a bottom perspective view thereof.
 FIG. 9 is another perspective view in condition of use.
 FIG. 10 is a frontal perspective view of an alternative embodiment of the food tray bottom frame.
 FIG. 11 is a top plan view thereof.
 FIG. 12 is a front elevation view thereof.
 FIG. 13 is a right side elevation view thereof.
 FIG. 14 is a left side elevation view thereof.
 FIG. 15 is a rear elevation view thereof.
 FIG. 16 is a bottom plan view thereof.
 FIG. 17 is a bottom perspective view thereof; and,
 FIG. 18 is another perspective view in condition of use.
 The broken lines shown in FIGS. 9 and 18 are included for the purpose of illustrating environment and form no part of the claimed design.

1 Claim, 10 Drawing Sheets



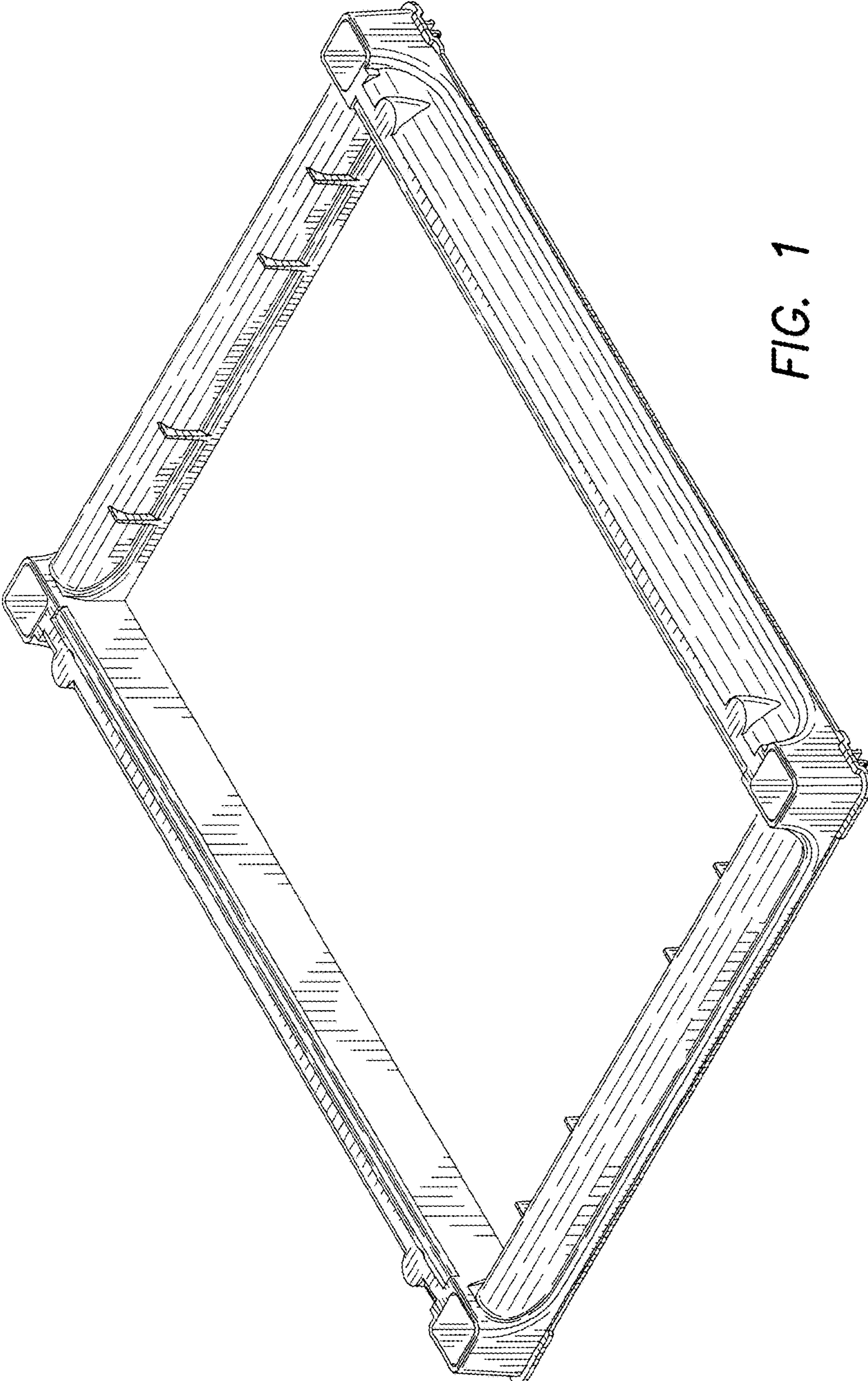


FIG. 1

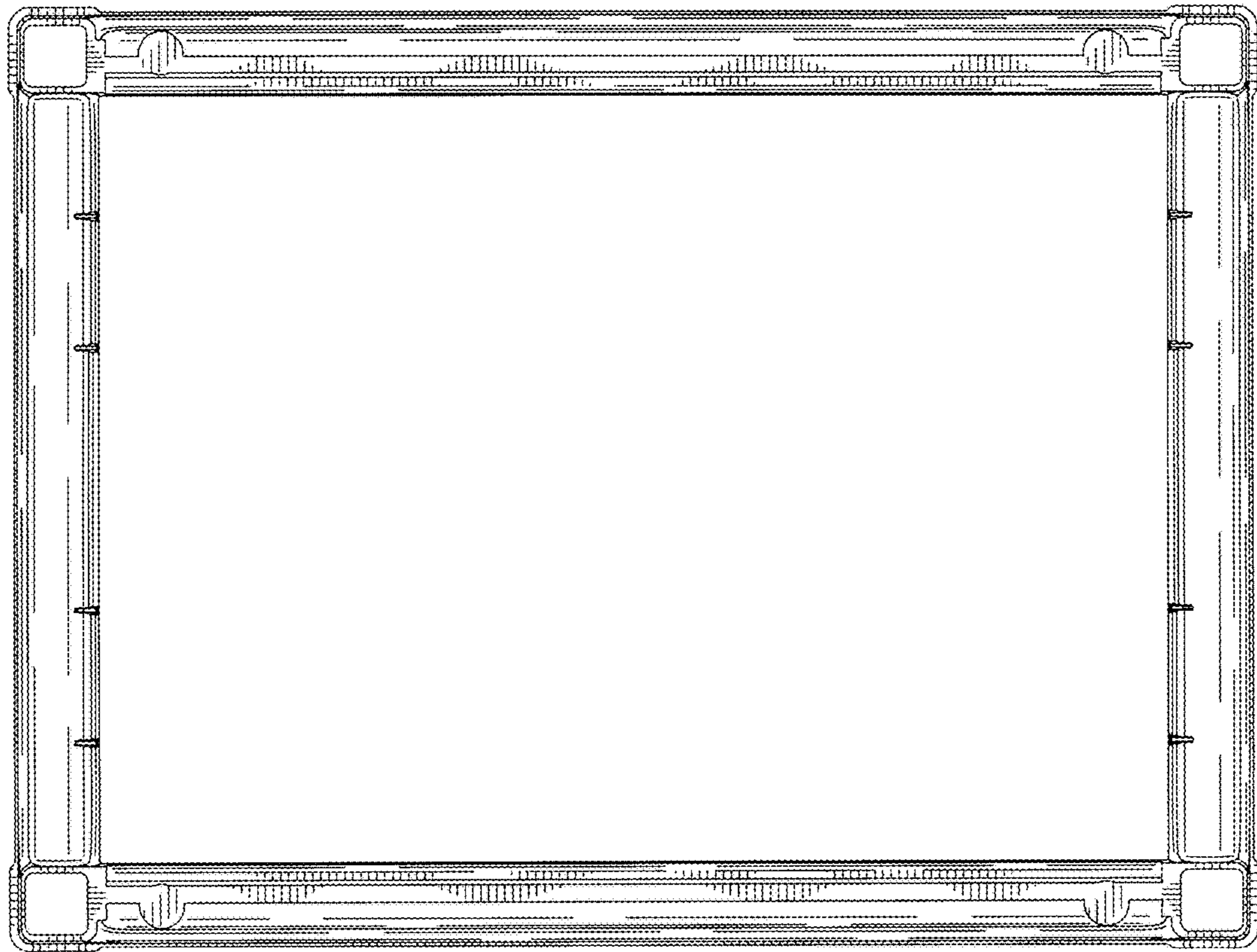


FIG. 2

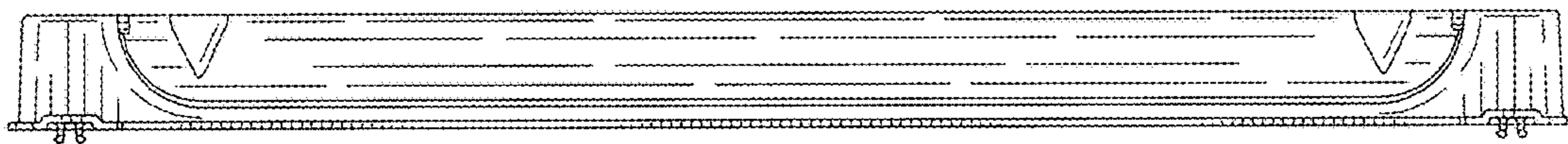


FIG. 3

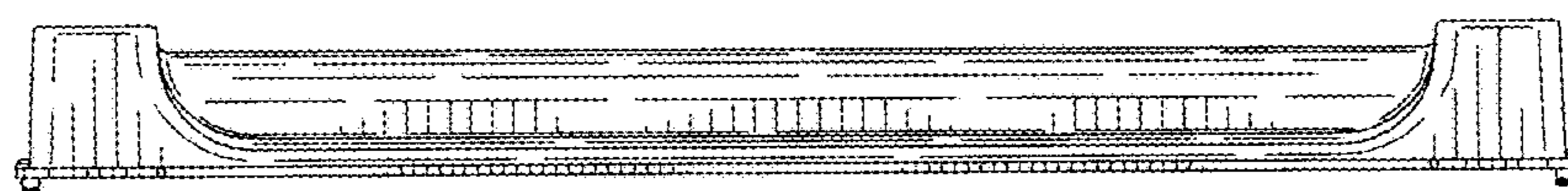


FIG. 4

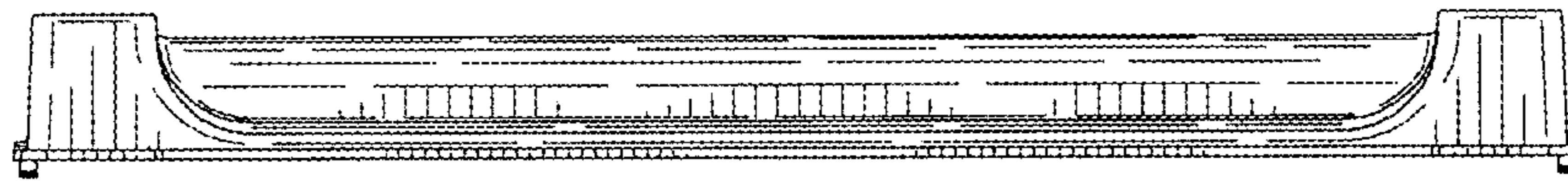


FIG. 5

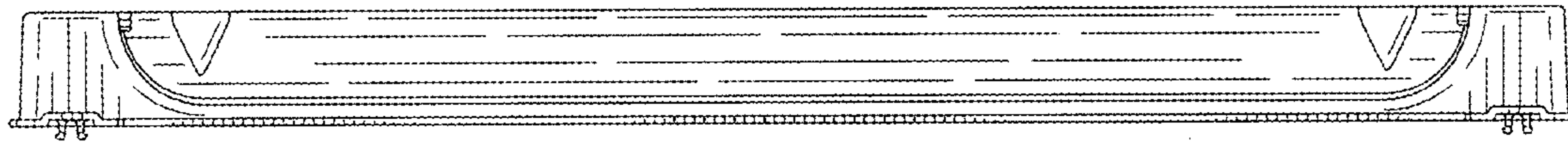


FIG. 6

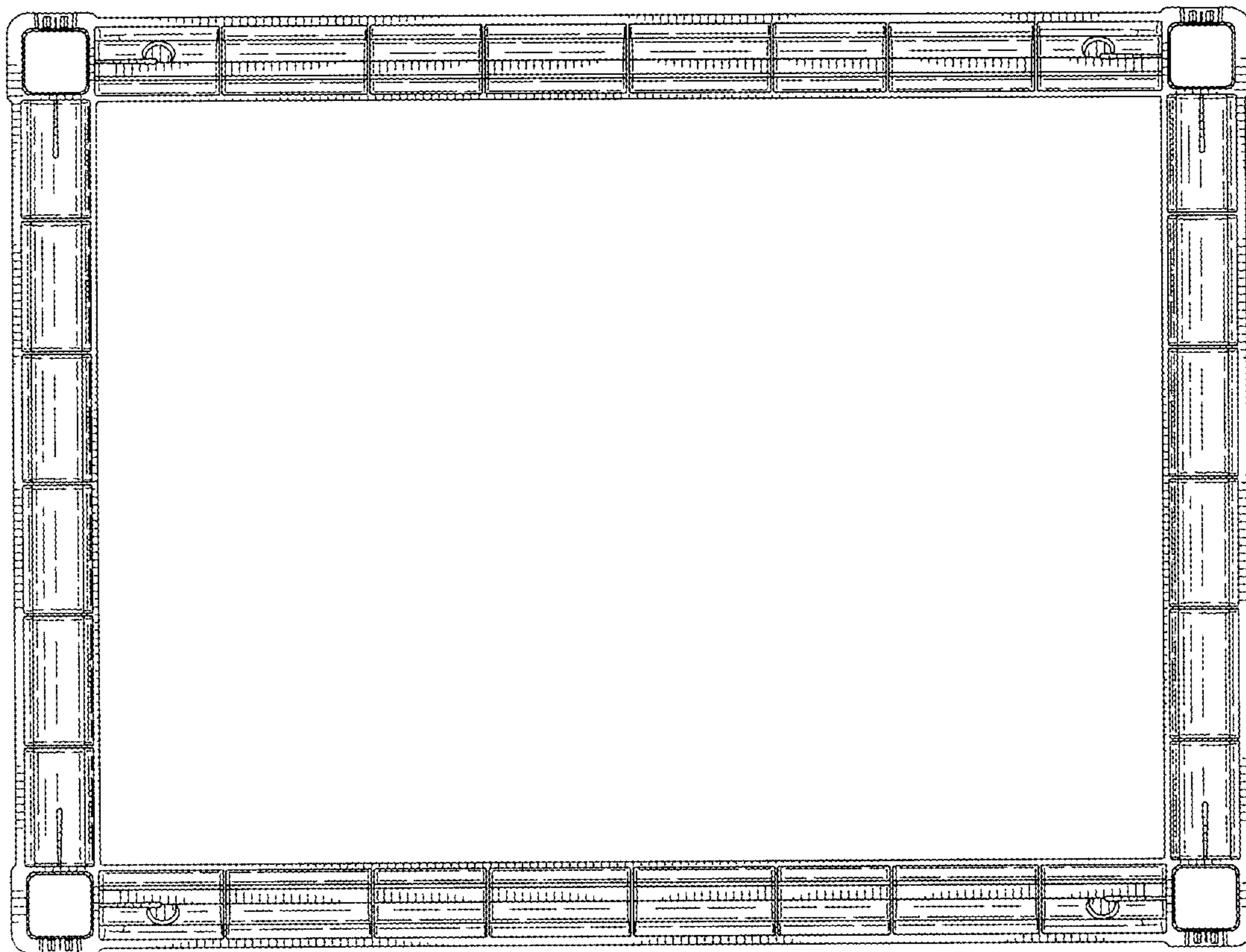


FIG. 7

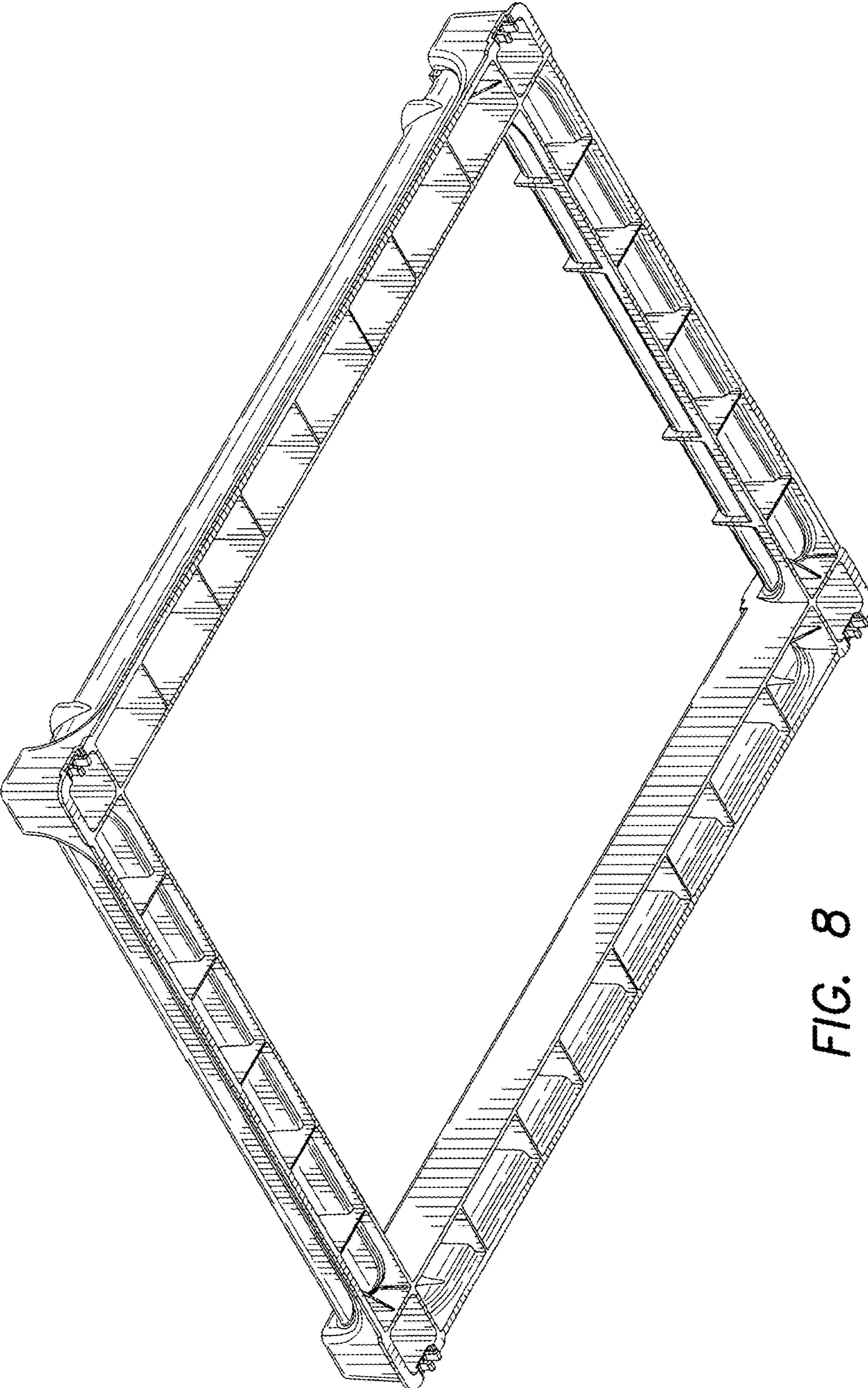


FIG. 8

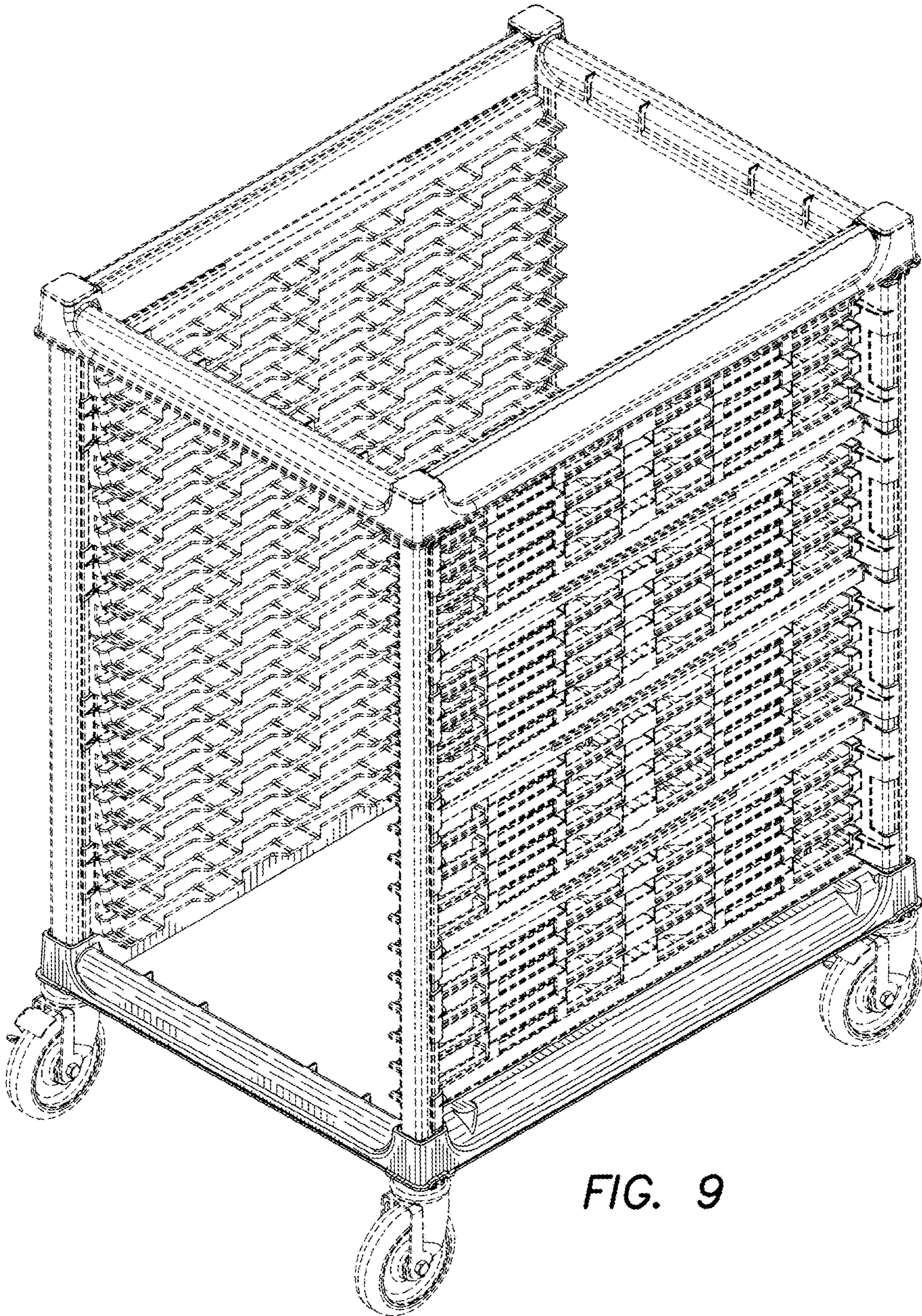


FIG. 9

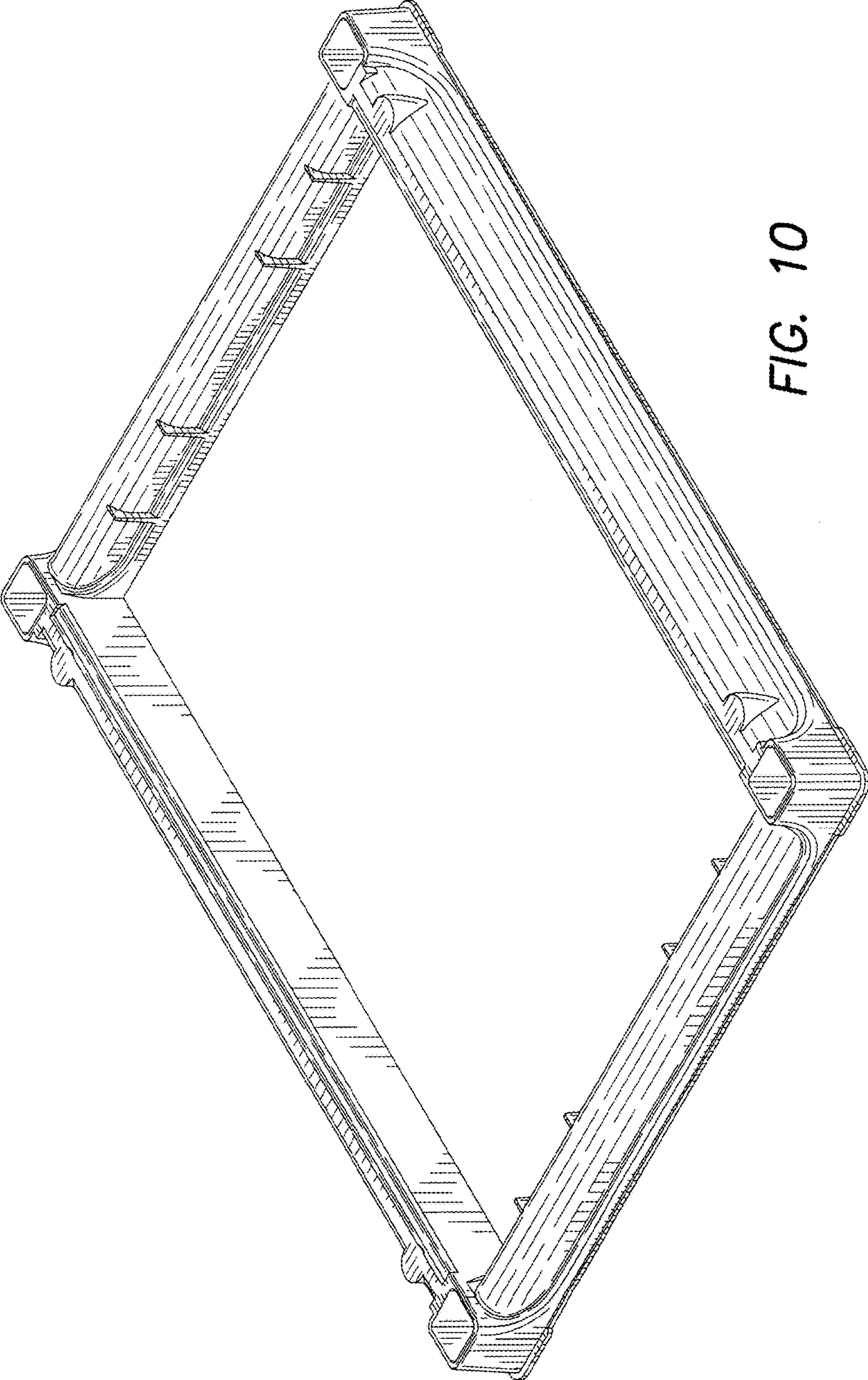


FIG. 10

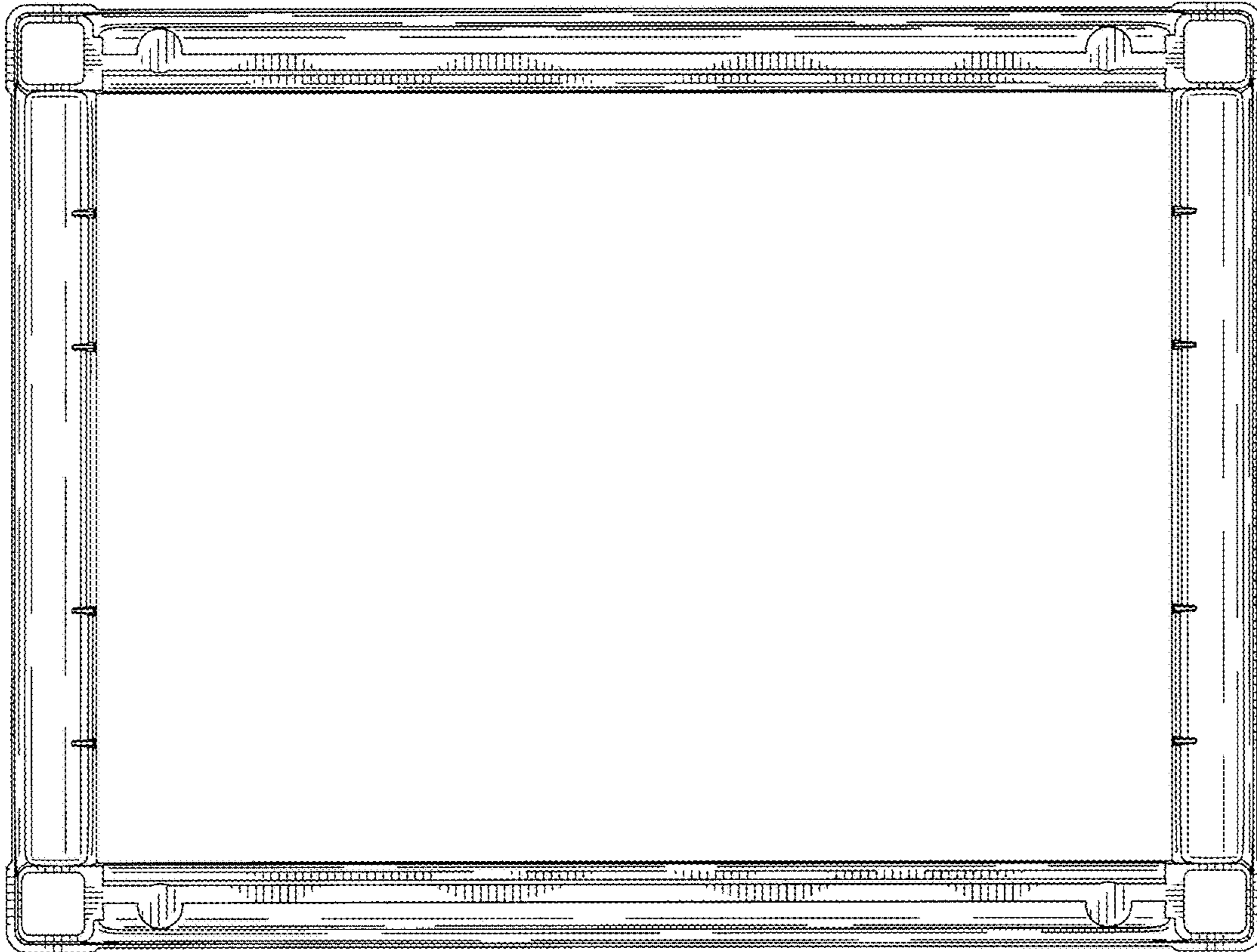


FIG. 11

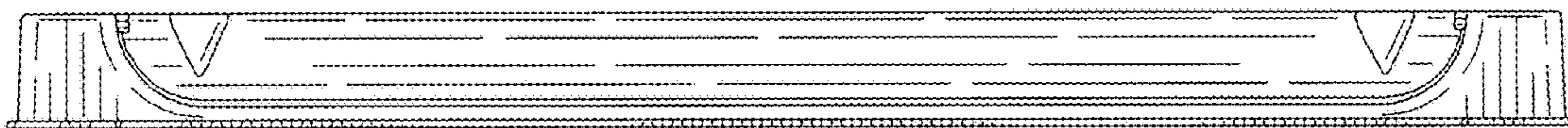


FIG. 12

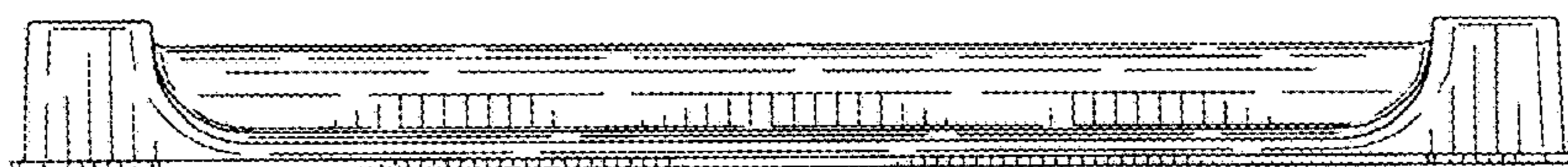


FIG. 13

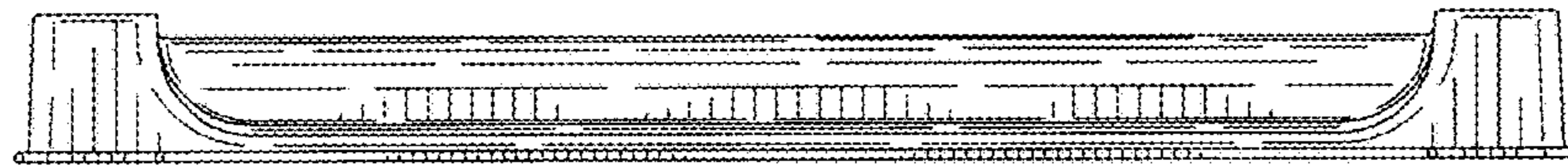


FIG. 14

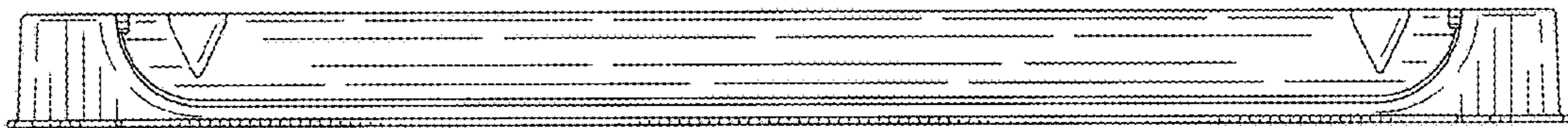


FIG. 15

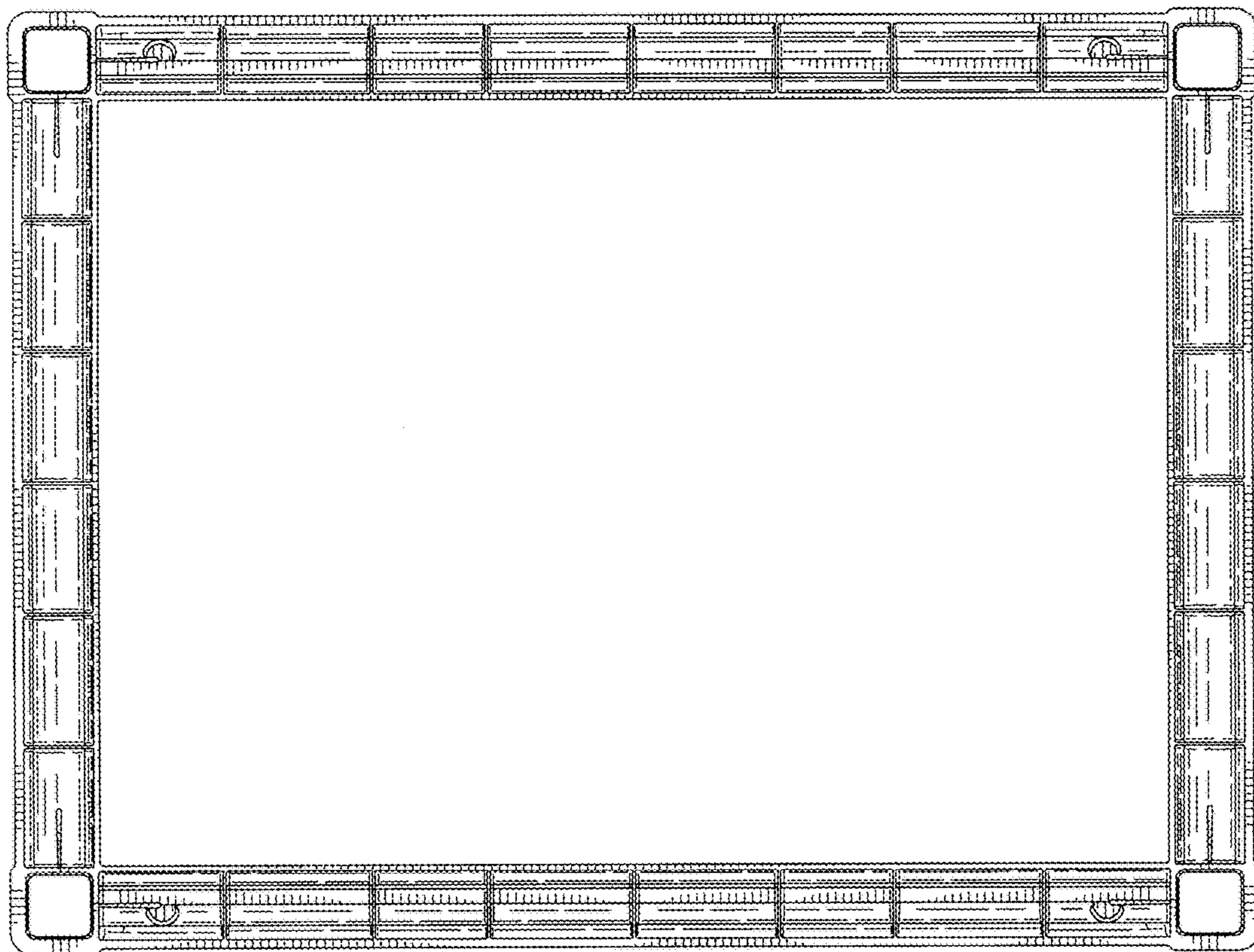


FIG. 16

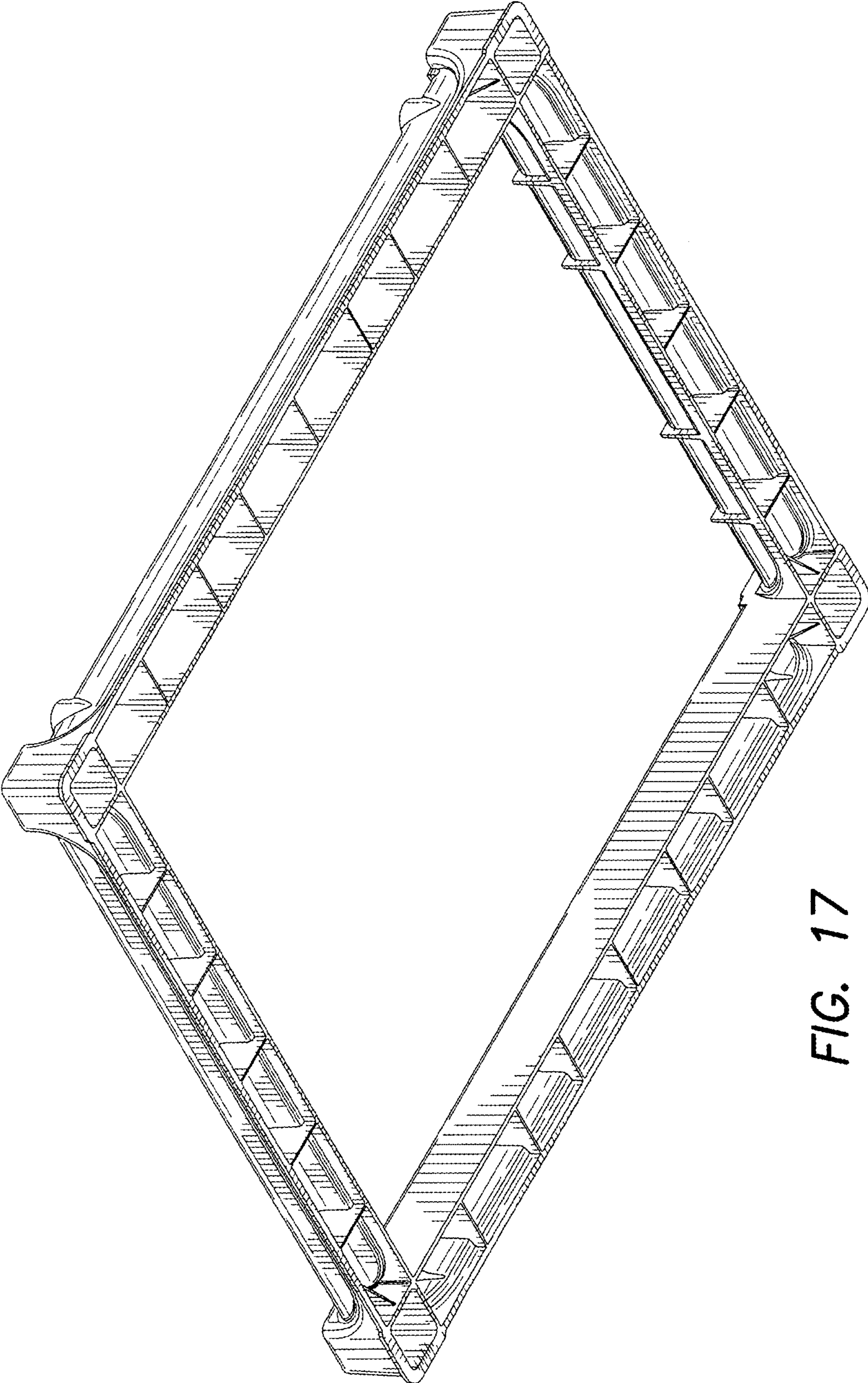


FIG. 17

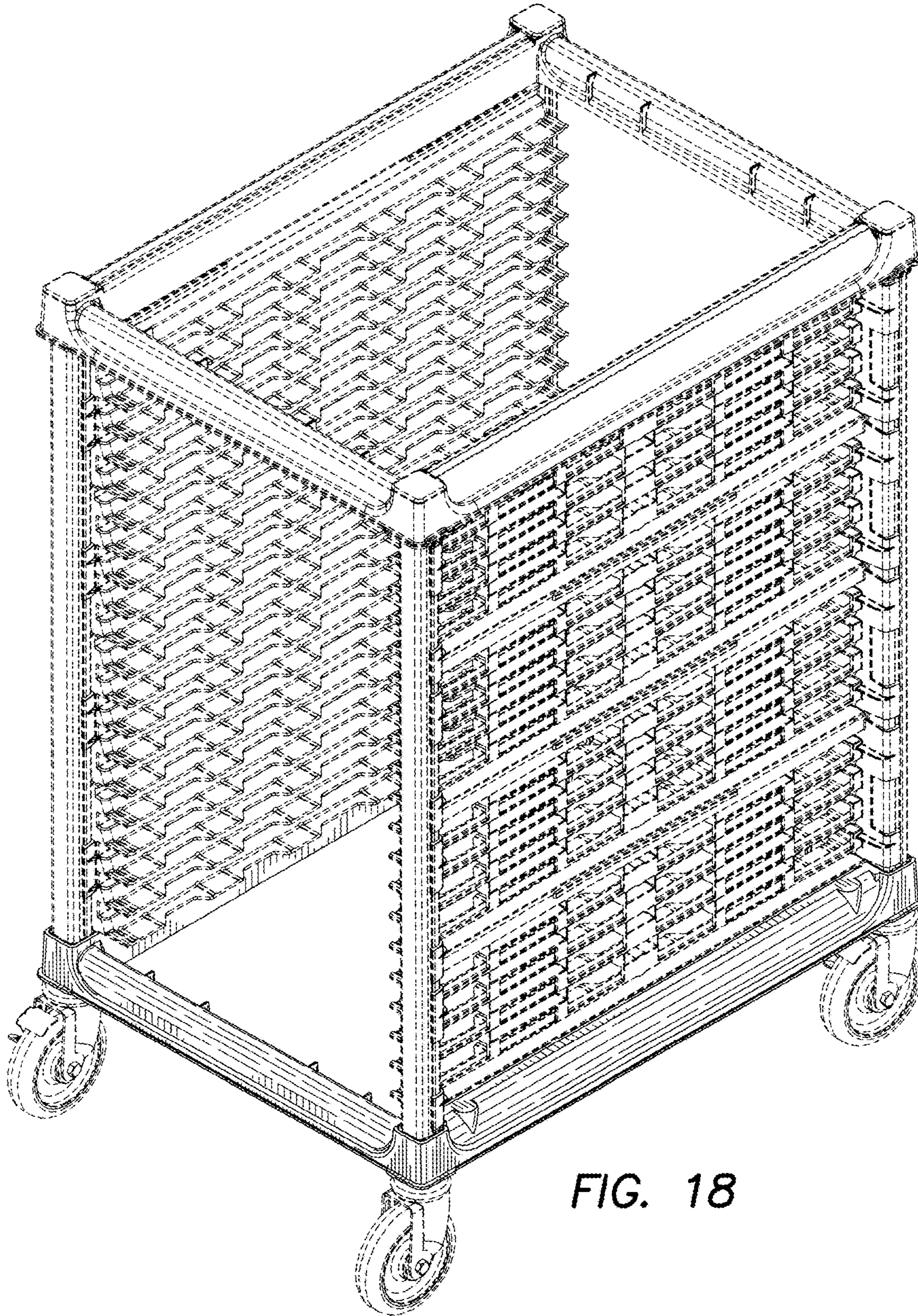


FIG. 18