



US00D853067S

(12) **United States Design Patent** (10) **Patent No.:** **US D853,067 S**
Chen (45) **Date of Patent:** **** Jul. 2, 2019**

(54) **PEDAL BIN**
(71) Applicant: **EKO DEVELOPMENT LTD.,**
Guangzhou (CN)
(72) Inventor: **Yizhi Chen,** Guangzhou (CN)
(73) Assignee: **EKO Development Limited,**
Guangzhou (CN)

D580,615 S * 11/2008 Yang D34/9
D627,533 S 11/2010 Yang et al.
D631,221 S * 1/2011 Yang D34/9
D644,390 S 8/2011 Smeets et al.
D644,806 S 9/2011 Yang et al.
D657,108 S 4/2012 Yang et al.
D657,109 S 4/2012 Liao
D675,802 S 2/2013 Yang et al.
8,820,566 B2 9/2014 Ude
(Continued)

(**) Term: **15 Years**

OTHER PUBLICATIONS

(21) Appl. No.: **29/645,922**

Amazon, "Eko Waste Bin Stainless Steel.", Mar. 21, 2019. https://www.amazon.com/EKO-Waste-Stainless-Steel-Matt/dp/B07CJZP7JM/ref=pd_ybh_a_18?_encoding=UTF8&psc=1&refRID=0FGCAGCYVQ2T2D82PYRR. Shown on p. 1. (Year: 2019).*

(22) Filed: **Apr. 30, 2018**

(51) **LOC (11) Cl.** **09-09**

(52) **U.S. Cl.**
USPC **D34/9**

(58) **Field of Classification Search**
USPC D23/202, 203, 207; D34/1, 2, 3, 4, 5, 6,
D34/7, 8, 9, 10, 11, 39; 220/252, 62.13,
220/484, 569, 4.04, 703, 737, 748, 908,
220/908.1, 908.2, 909, 495.08, 211, 262,
220/263, 212; D9/737, 738, 770, 772,
D9/777, 778, 781, 783
CPC B65F 1/0006; B65F 1/163; B65F 1/1607;
B65F 1/02; B65F 1/1421; B65D 43/262

(Continued)

Primary Examiner — Cynthia Ramirez
Assistant Examiner — Michael A Maharajh
(74) *Attorney, Agent, or Firm* — William Dippert;
Laurence Greenberg; Werner Stemer

See application file for complete search history.

(57) **CLAIM**

The ornamental design for a pedal bin, as shown and described.

DESCRIPTION

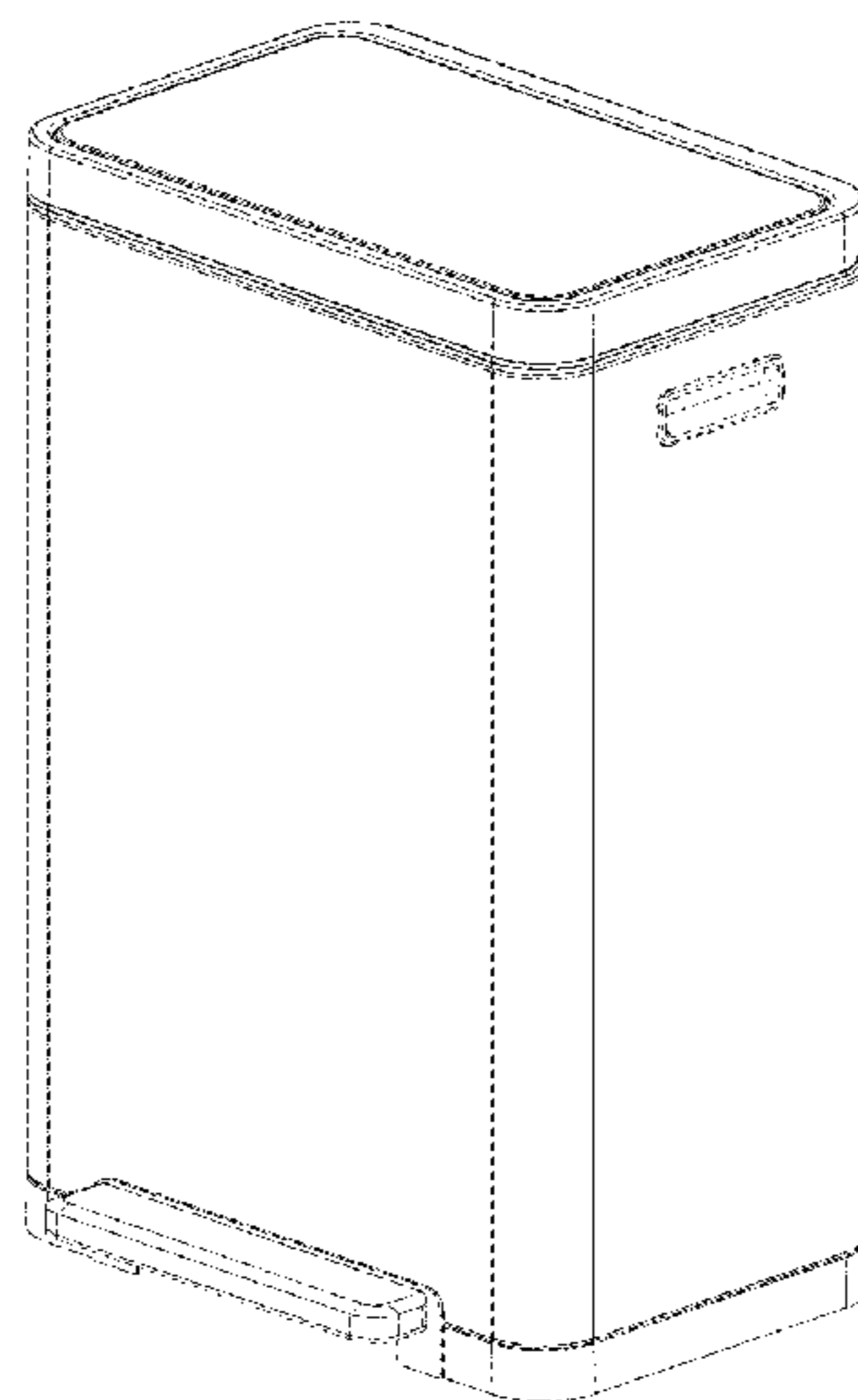
(56) **References Cited**

U.S. PATENT DOCUMENTS

D246,090 S 10/1977 Gault
D335,562 S 5/1993 Evans
5,242,074 A 9/1993 Conaway et al.
D343,709 S 1/1994 Doty et al.
6,345,725 B1 2/2002 Lin
D472,357 S 3/2003 Stewart
D482,169 S 11/2003 Lin
D527,155 S 8/2006 Fankhauser
D547,917 S * 7/2007 Yang D34/9
D552,321 S 10/2007 Yang et al.
D561,969 S * 2/2008 Lin D34/9
D571,520 S 6/2008 Lin

FIG. 1 is a perspective view of a pedal bin, showing my new design.
FIG. 2 is a top plan view thereof.
FIG. 3 is a rear elevation view thereof.
FIG. 4 is a left-side elevation view thereof.
FIG. 5 is a front elevation view thereof.
FIG. 6 is a bottom plan view thereof; and,
FIG. 7 is a right-side elevation view thereof.
The broken lines in the drawings represent portions of the pedal bin that are for illustrative purposes only and do not form a part of the claimed design.

1 Claim, 4 Drawing Sheets



(56)

References Cited

U.S. PATENT DOCUMENTS

D719,313	S	12/2014	Kao	
D720,513	S	12/2014	Yang et al.	
D725,861	S	3/2015	Yang et al.	
D730,008	S	5/2015	Yang et al.	
D754,413	S	4/2016	Wall	
D759,934	S	6/2016	Yang et al.	
D769,564	S *	10/2016	Chen	D34/9
D771,344	S	11/2016	Yang et al.	
D773,145	S	11/2016	Yang et al.	
D793,642	S	8/2017	Yang et al.	
D798,016	S	9/2017	Yang et al.	
D804,133	S *	11/2017	Yang	D34/9
D827,968	S *	9/2018	Chen	D34/9
D829,400	S *	9/2018	Yang	D34/7
D830,659	S *	10/2018	Greenspon	D34/9
D831,289	S *	10/2018	Greenspon	D34/9
D841,275	S *	2/2019	Chen	D34/9
D842,573	S *	3/2019	Smeets	D34/9
2013/0105486	A1 *	5/2013	Mashburn	B65F 1/06 220/495.06
2014/0238989	A1 *	8/2014	Wang	B65F 1/163 220/264

OTHER PUBLICATIONS

Belson Outdoors “Durable Two-Piece Fiberglass Trash Receptacle”, <http://www.belson.com/Open-Top-Lift-Off-20-Gallon-Round-Fiberglass-Trash-Can>. Jun. 6, 2017. shown in p. 1, Model FG1829 TPL.

Amazon “Simplehuman Bullet Open Trash Can”, https://www.amazon.com/simplehuman-Bullet-Trash-Commercial-Stainless/dp/B000BHUHP0/ref=cm_cr_arp_d_product_top?ie=UTF8. Apr. 17, 2008. shown in p. 1, Model No. CW1407.

* cited by examiner

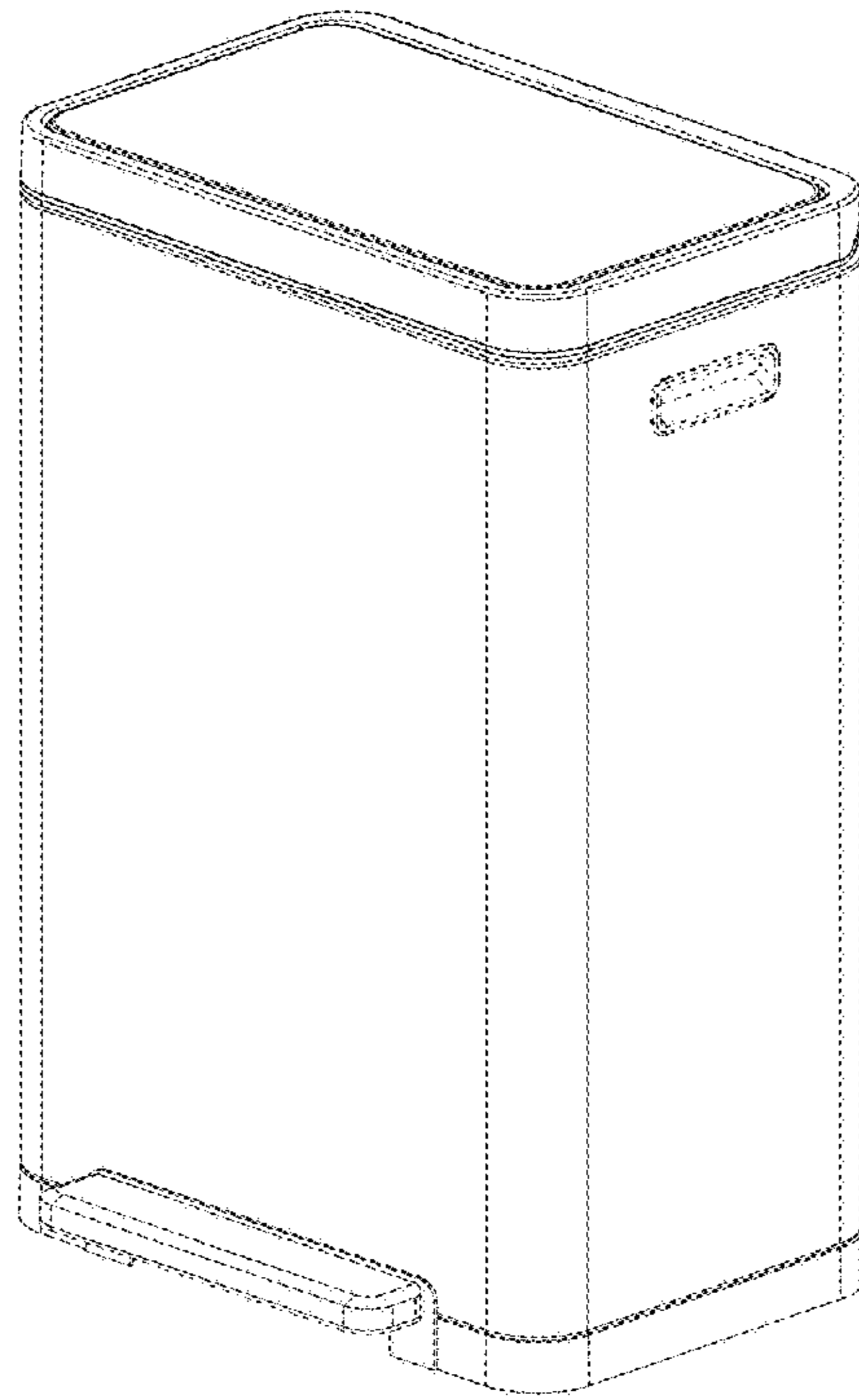


FIG.1

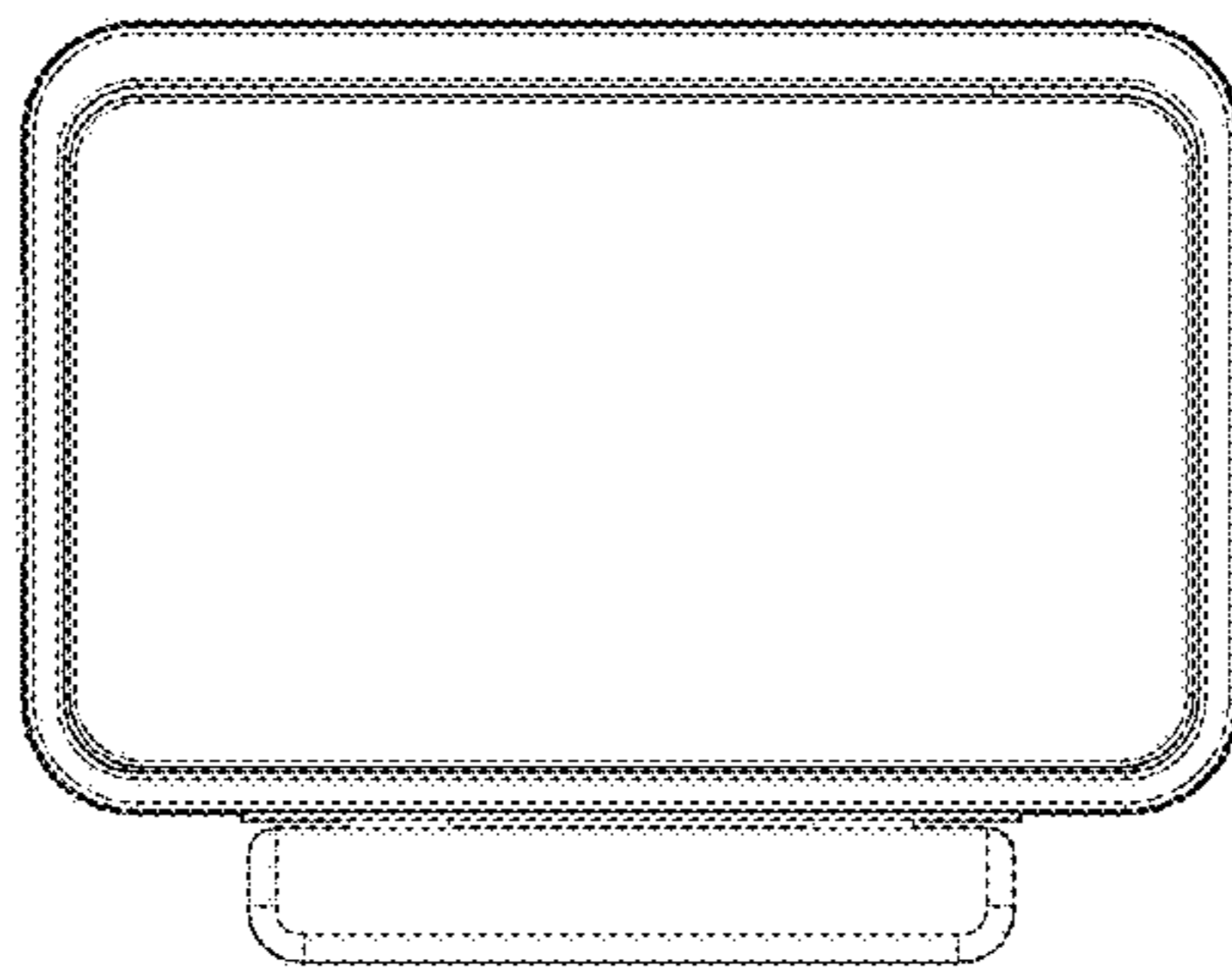


FIG.2



FIG.3

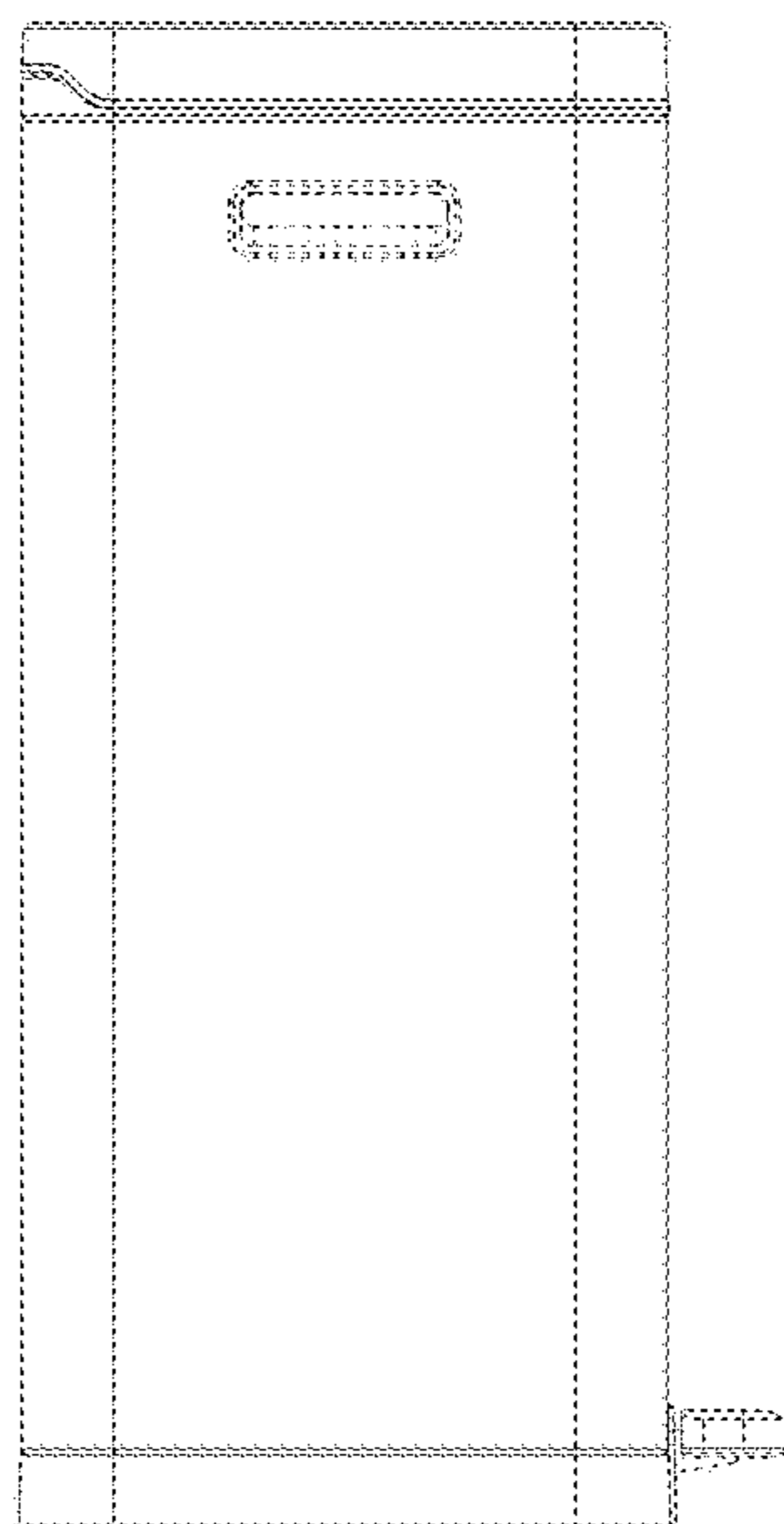


FIG.4

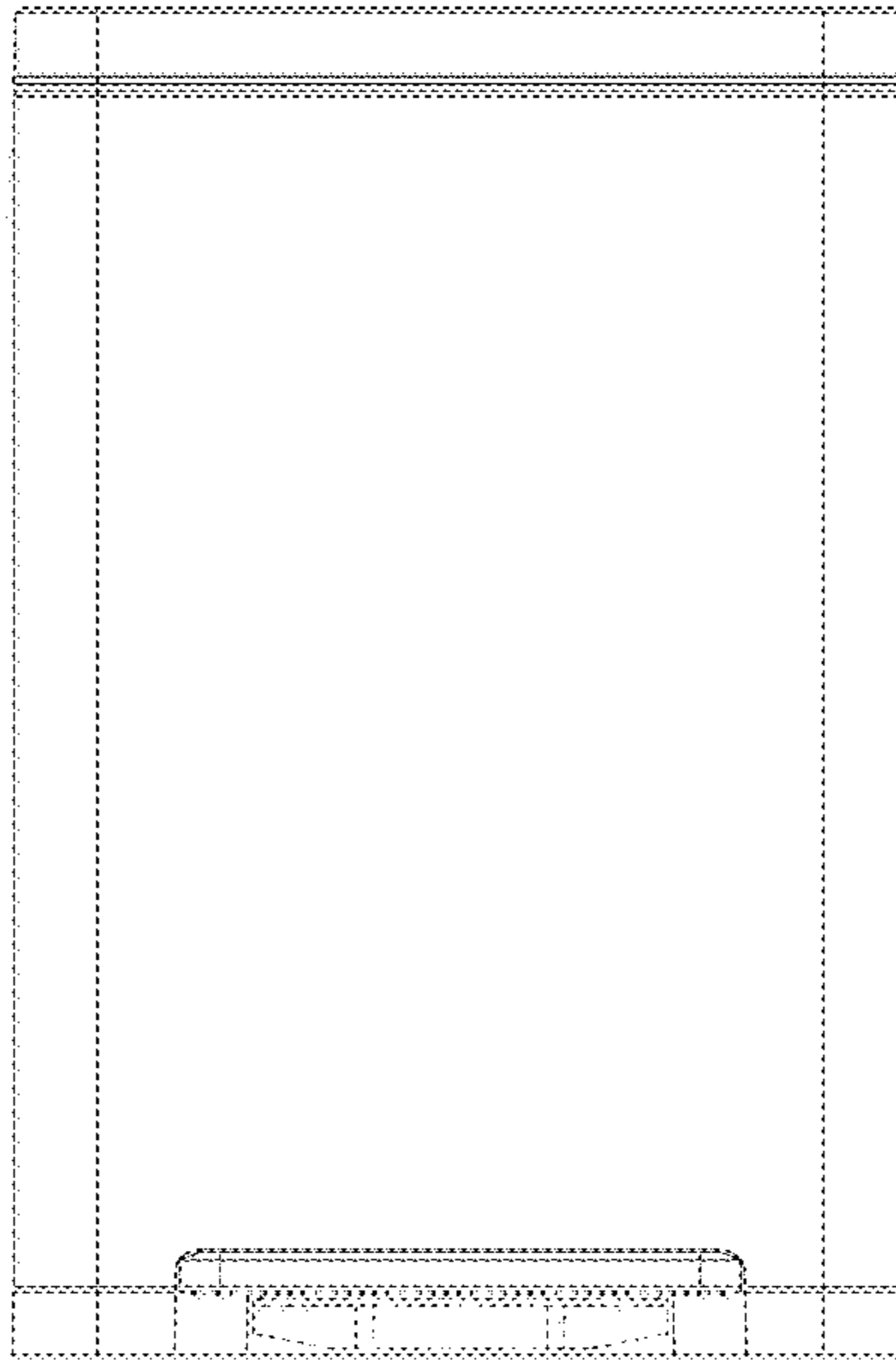


FIG. 5

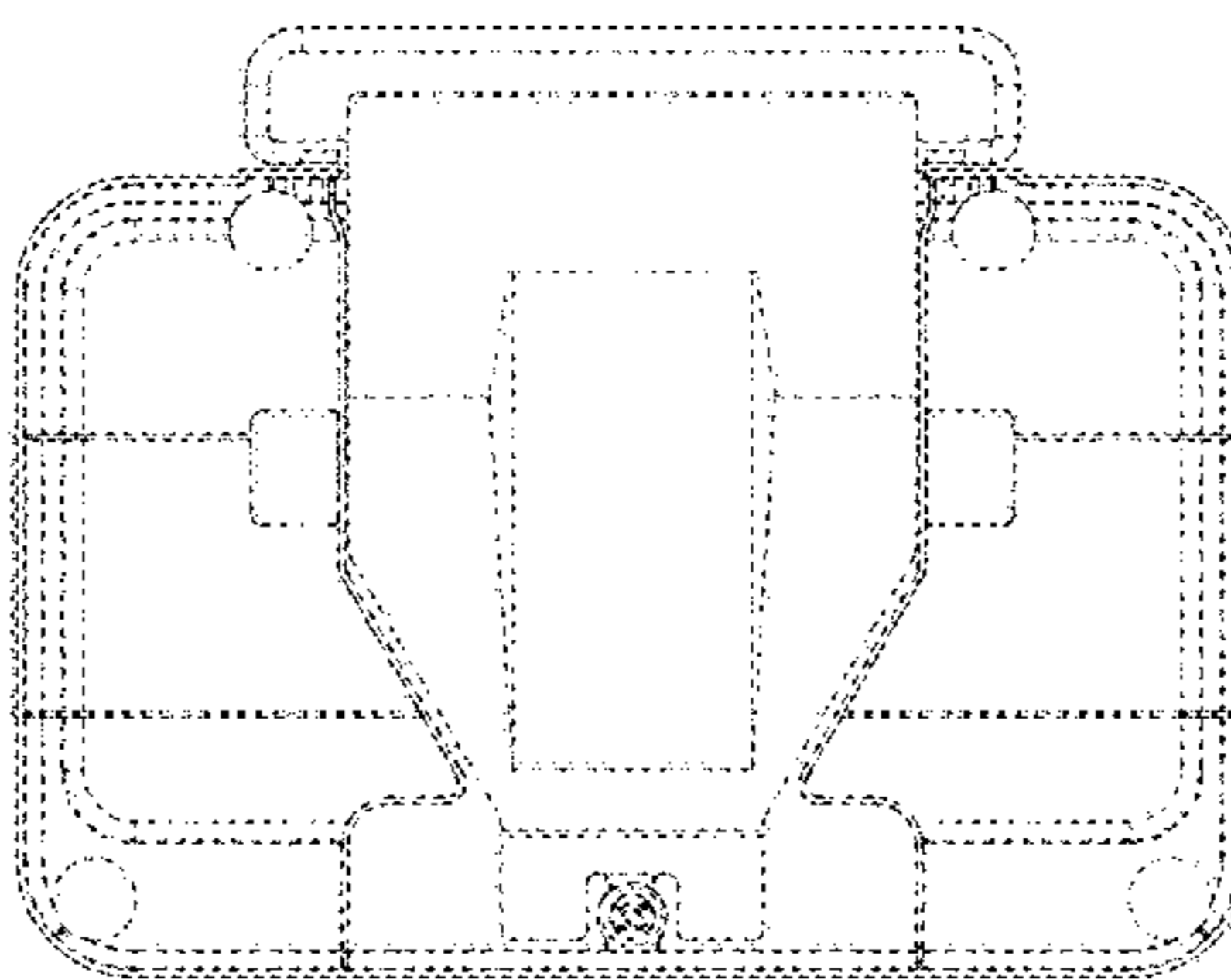


FIG. 6

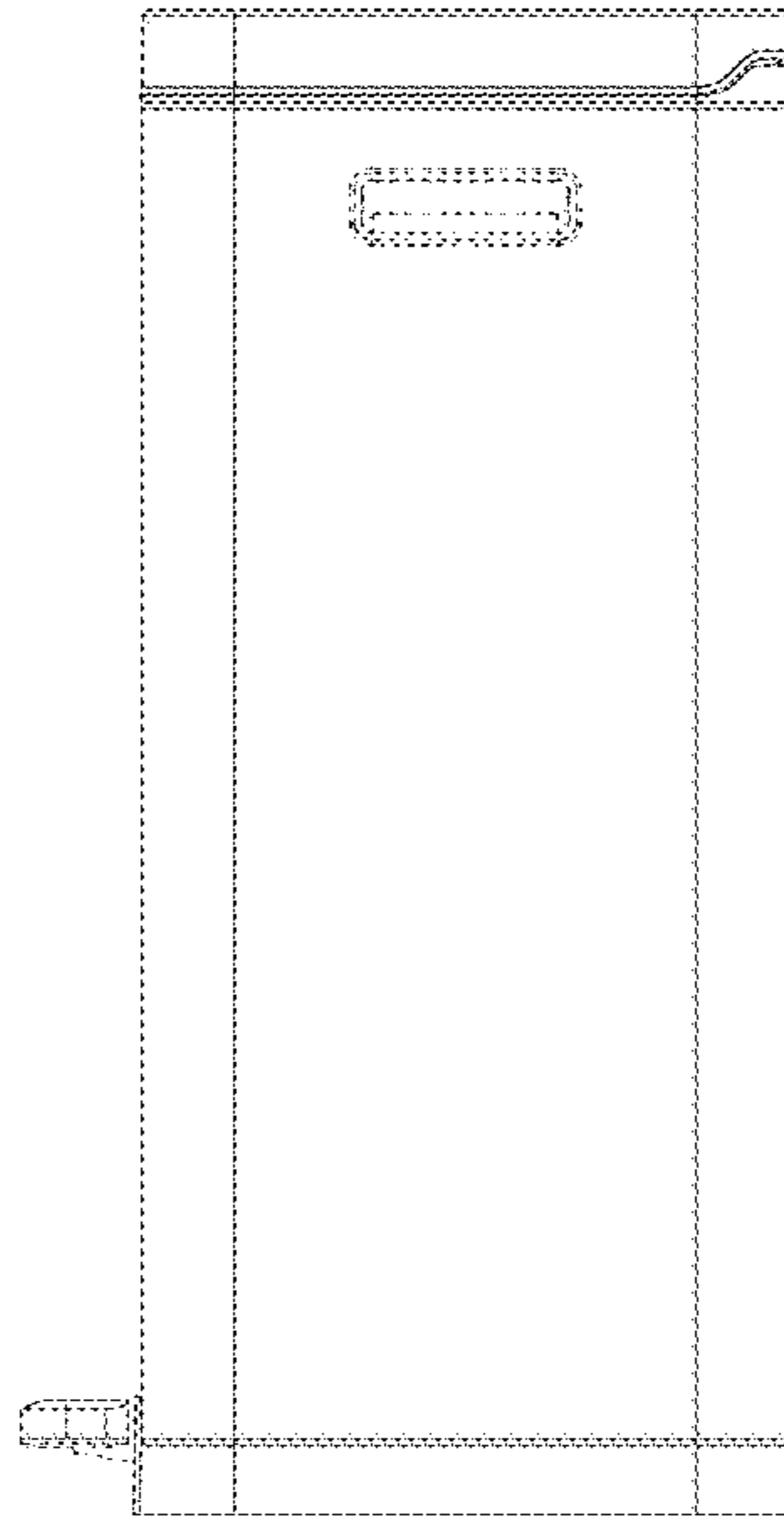


FIG. 7