



US00D853066S

(12) **United States Design Patent** (10) **Patent No.:** **US D853,066 S**
Liao (45) **Date of Patent:** **** Jul. 2, 2019**

(54) **GARBAGE CAN**
(71) Applicant: **Jiangmen Foreign Trade Group Co., Ltd.**, Jiangmen, Guangdong Province (CN)
(72) Inventor: **Henry Liao**, Jiangmen (CN)
(73) Assignee: **JIANGMEN FOREIGN TRADE GROUP CO., LTD.**, Jiangmen, Guangdong Province (CN)

D555,348 S 11/2007 Bettencourt
D578,266 S * 10/2008 Yang D34/7
D578,268 S * 10/2008 Yang D34/9
D580,120 S * 11/2008 Lin D34/7
D580,613 S * 11/2008 Yang D34/7
D580,615 S * 11/2008 Yang D34/9
D584,468 S 1/2009 Liao
D584,469 S 1/2009 Yang
D586,070 S 2/2009 Lin
D591,471 S 4/2009 Lee
D593,271 S * 5/2009 Yang D34/9
D595,468 S 6/2009 Liao
D595,917 S 7/2009 Liao

(**) Term: **15 Years**

(Continued)

(21) Appl. No.: **29/619,765**
(22) Filed: **Oct. 2, 2017**
(51) **LOC (11) Cl.** **09-09**
(52) **U.S. Cl.**
USPC **D34/9**
(58) **Field of Classification Search**
USPC D34/1, 7, 9; 220/262, 264, 908
CPC B65F 1/163; B65F 1/1638; B65F 1/062;
B65F 1/1623
See application file for complete search history.

OTHER PUBLICATIONS

U.S. Appl. No. 29/526,335, filed May 8, 2015, Liao, Henry.
(Continued)

Primary Examiner — Cynthia Ramirez
(74) *Attorney, Agent, or Firm* — Daniel F. Nesbitt; Hasse & Nesbitt LLC

(57) **CLAIM**

The ornamental design for a garbage can, as shown and described.

(56) **References Cited**

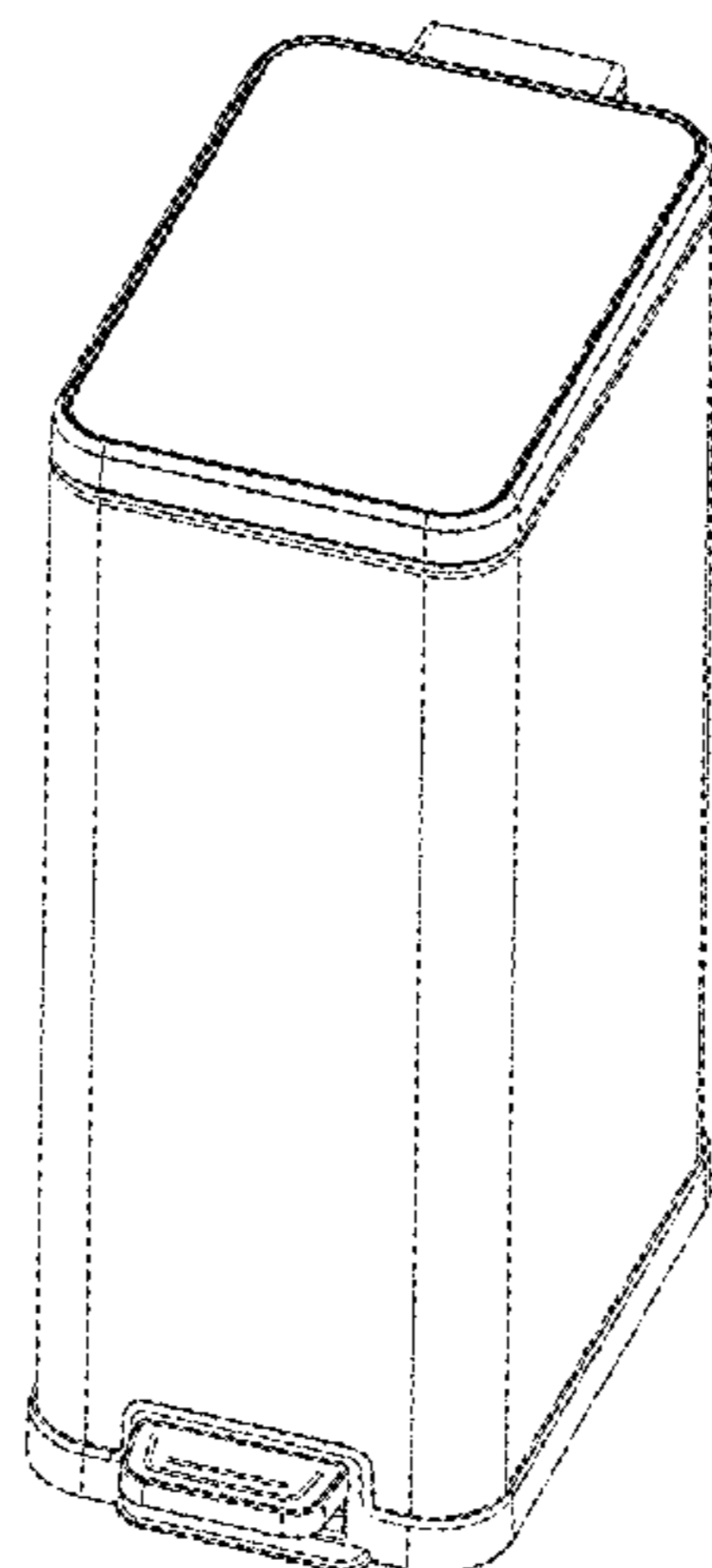
DESCRIPTION

U.S. PATENT DOCUMENTS

4,982,857 A 1/1991 Sher
5,072,852 A 12/1991 Smith
D355,740 S 2/1995 Kirchner
5,662,235 A 9/1997 Nieto
6,386,386 B1 5/2002 George
6,626,316 B2 9/2003 Yang
6,626,317 B2 9/2003 Pfeifer
D489,153 S * 4/2004 Lin D34/9
D517,767 S * 3/2006 Yang D34/9
7,086,550 B2 8/2006 Yang
D537,600 S 2/2007 Lin
D544,671 S * 6/2007 Saunders D34/9
D552,823 S * 10/2007 Yang D34/7
D555,318 S 11/2007 Lin

FIG. 1 is a perspective view of the garbage can, showing my new design.
FIG. 2 is a front view of the garbage can.
FIG. 3 is a back view of the garbage can.
FIG. 4 is a right side view of the garbage can.
FIG. 5 is a left side view of the garbage can.
FIG. 6 is a top plan view of the garbage can; and,
FIG. 7 is a bottom plan view of the garbage can.
The broken lines shown in the bottom plan view is for the purpose of illustrating portions of the garbage can, and form no part of the claimed design.

1 Claim, 7 Drawing Sheets



(56)

References Cited

U.S. PATENT DOCUMENTS

D615,722	S	5/2010	Yang	
D620,667	S	7/2010	Liao	
D656,699	S	3/2012	Liao	
D657,108	S	4/2012	Yang	
D671,290	S	11/2012	Vanhoof	
D714,009	S	9/2014	Phillips	
D716,015	S	10/2014	Van De Leest	
D717,014	S	11/2014	Han	
D729,485	S	5/2015	Yang	
D736,489	S	8/2015	Wall	
D755,461	S	5/2016	Wall	
D762,037	S	7/2016	Chen	
D769,565	S	10/2016	Chen	
D793,022	S	7/2017	Liao	
D793,642	S *	8/2017	Yang	D34/7
D796,767	S *	9/2017	Chen	D34/9
D809,729	S *	2/2018	Chen	D34/7
D827,968	S *	9/2018	Chen	D34/9
D830,659	S *	10/2018	Greenspon	D34/9
D831,289	S *	10/2018	Greenspon	D34/9
2018/0079592	A1 *	3/2018	Wang	B65F 1/1638

OTHER PUBLICATIONS

U.S. Appl. No. 29/560,501, filed Apr. 7, 2016, Liao, Henry.
U.S. Appl. No. 29/576,241, filed Sep. 1, 2016, Liao, Henry.
U.S. Appl. No. 29/614,582, filed Aug. 21, 2017, Liao, Henry.

* cited by examiner

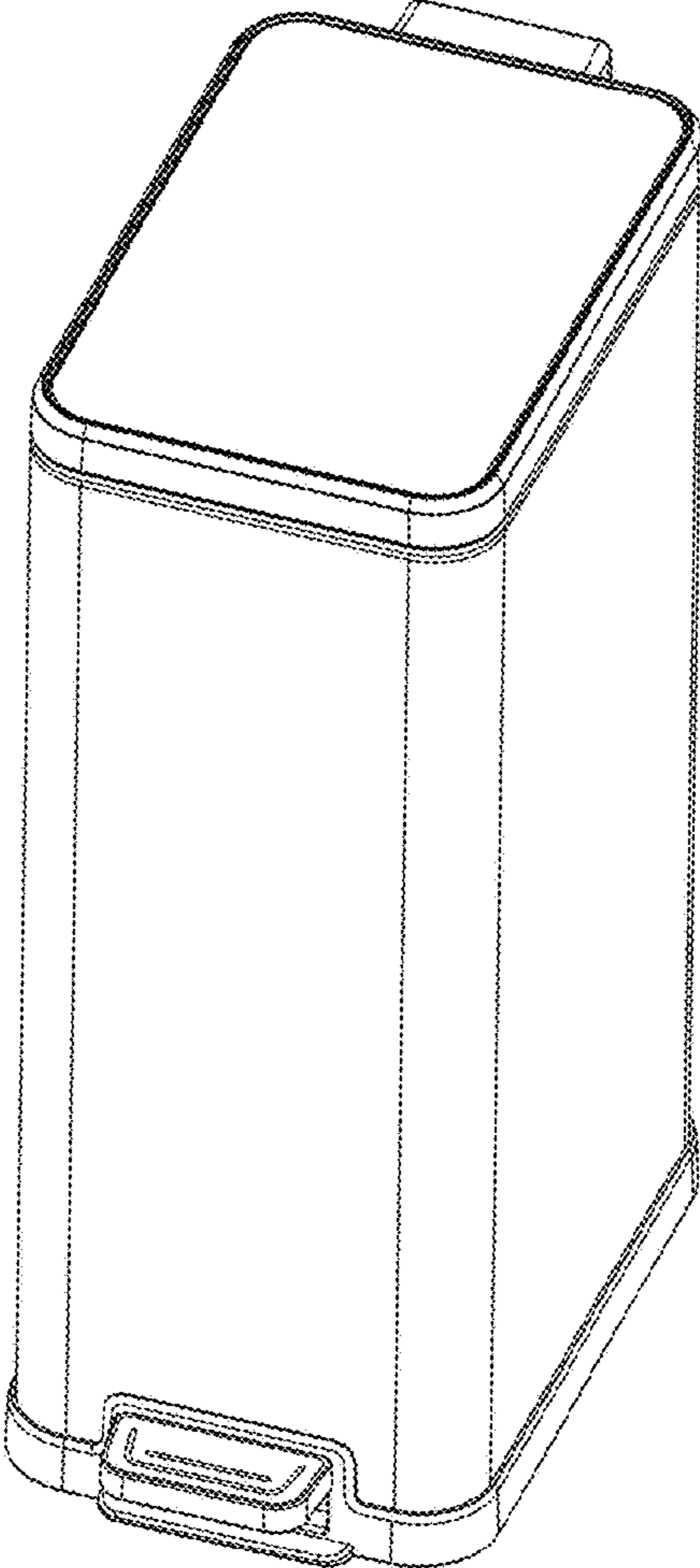


FIG. 1

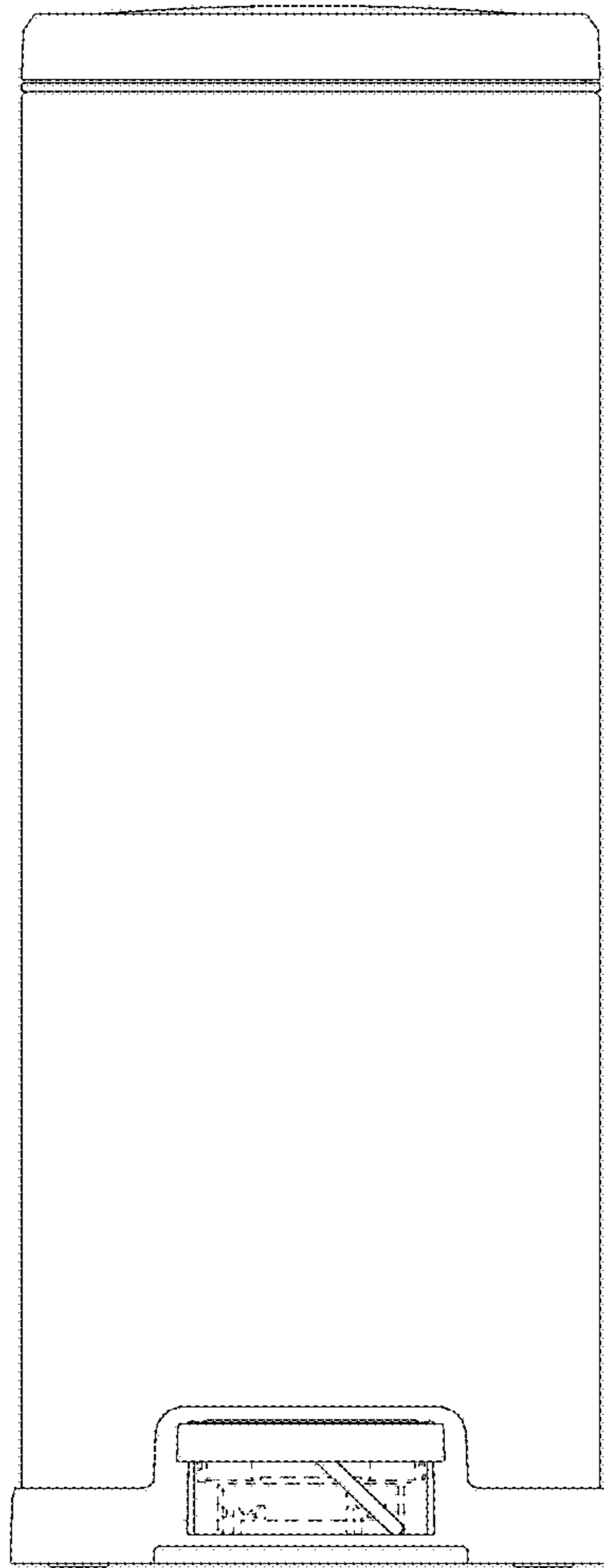


FIG. 2

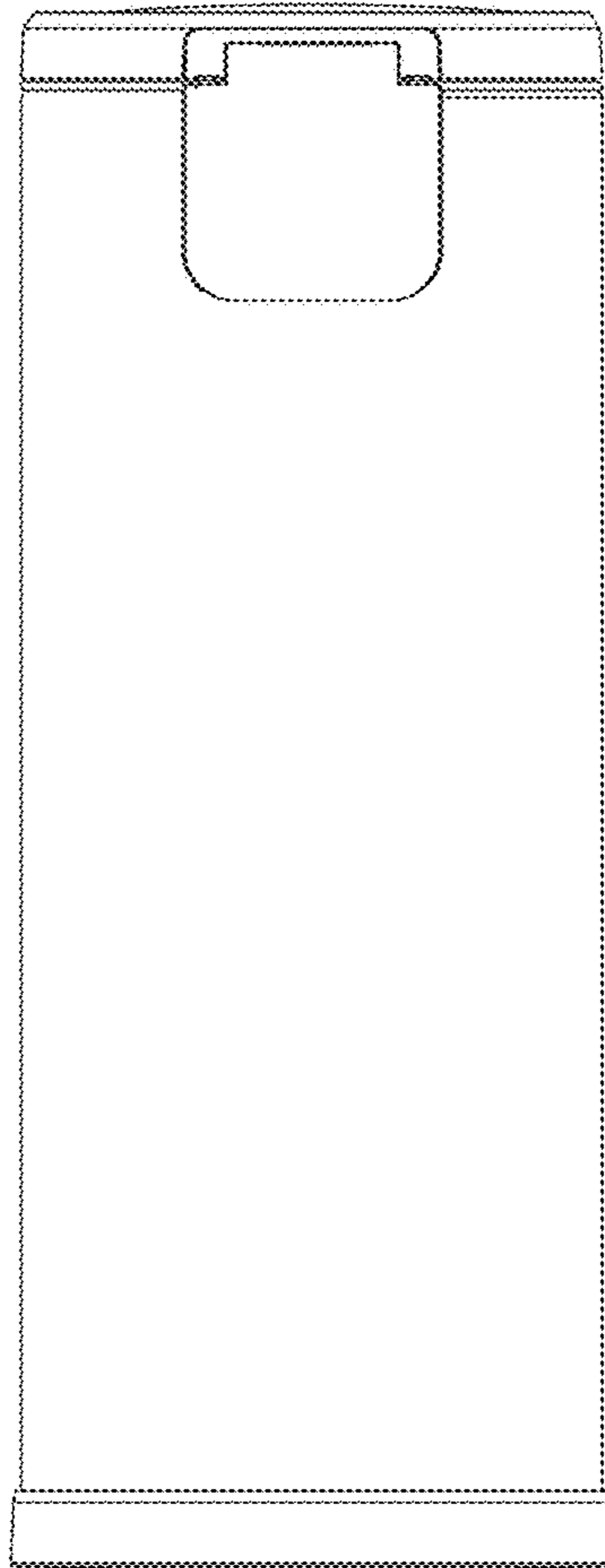


FIG. 3

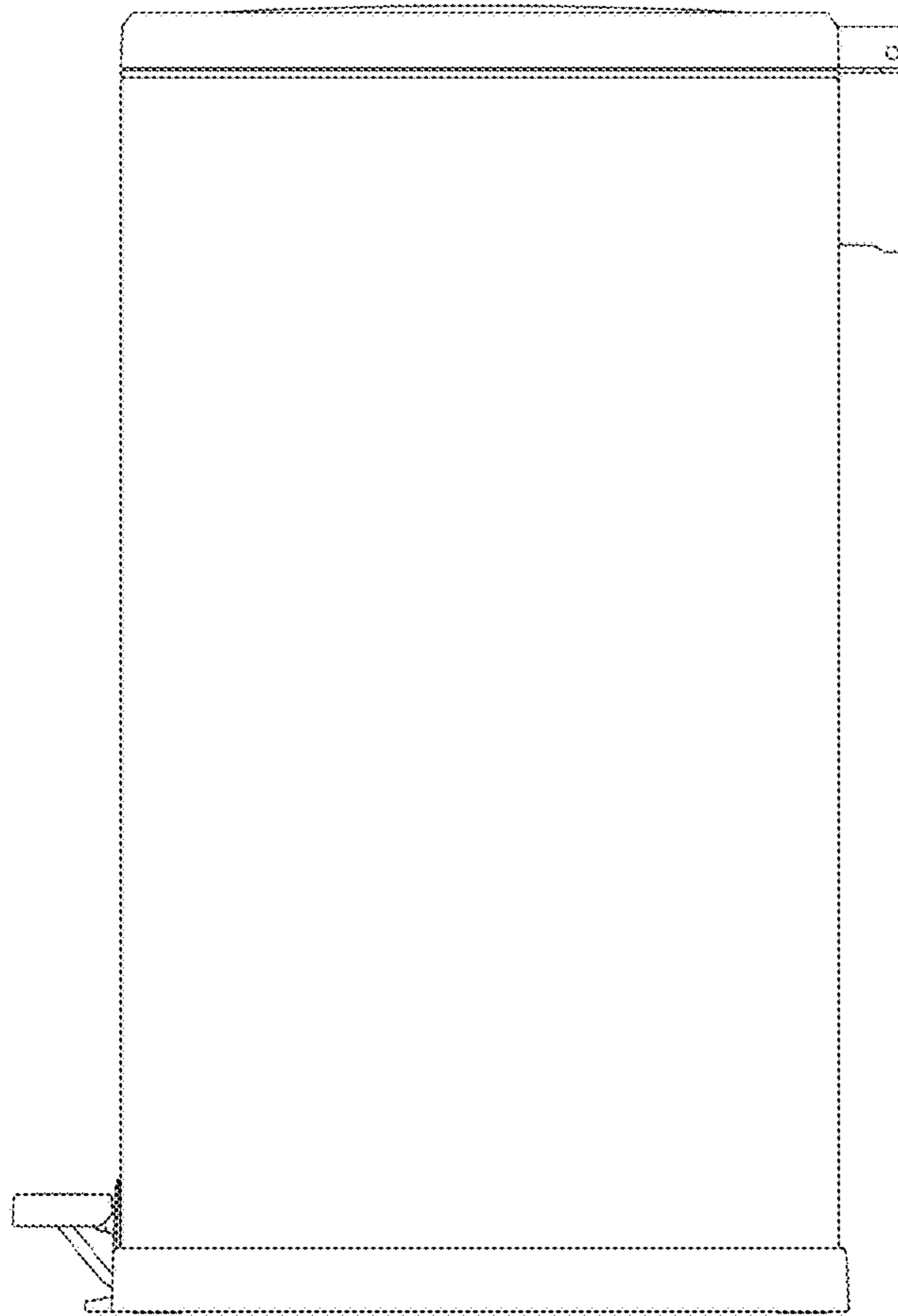


FIG. 4

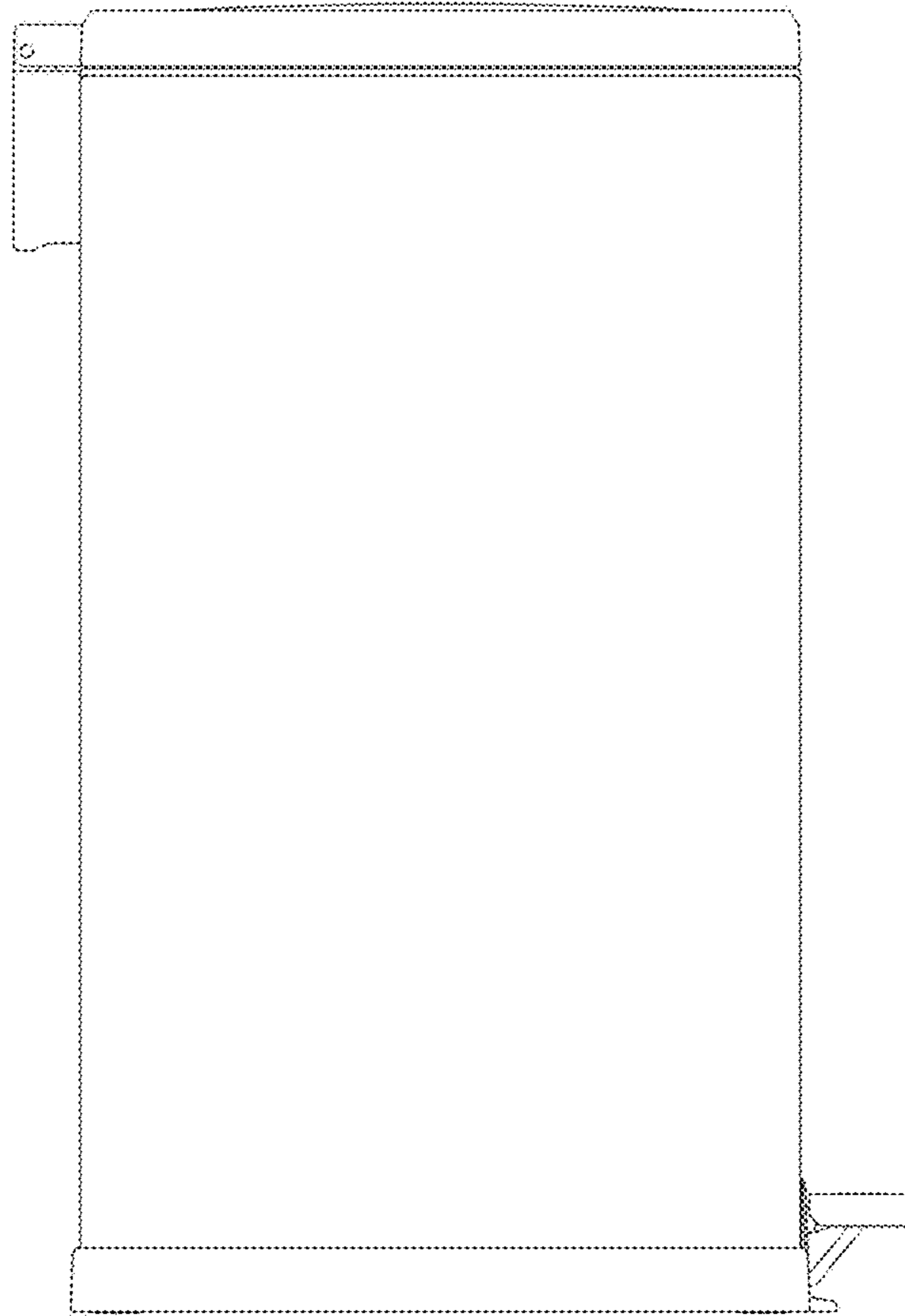


FIG. 5

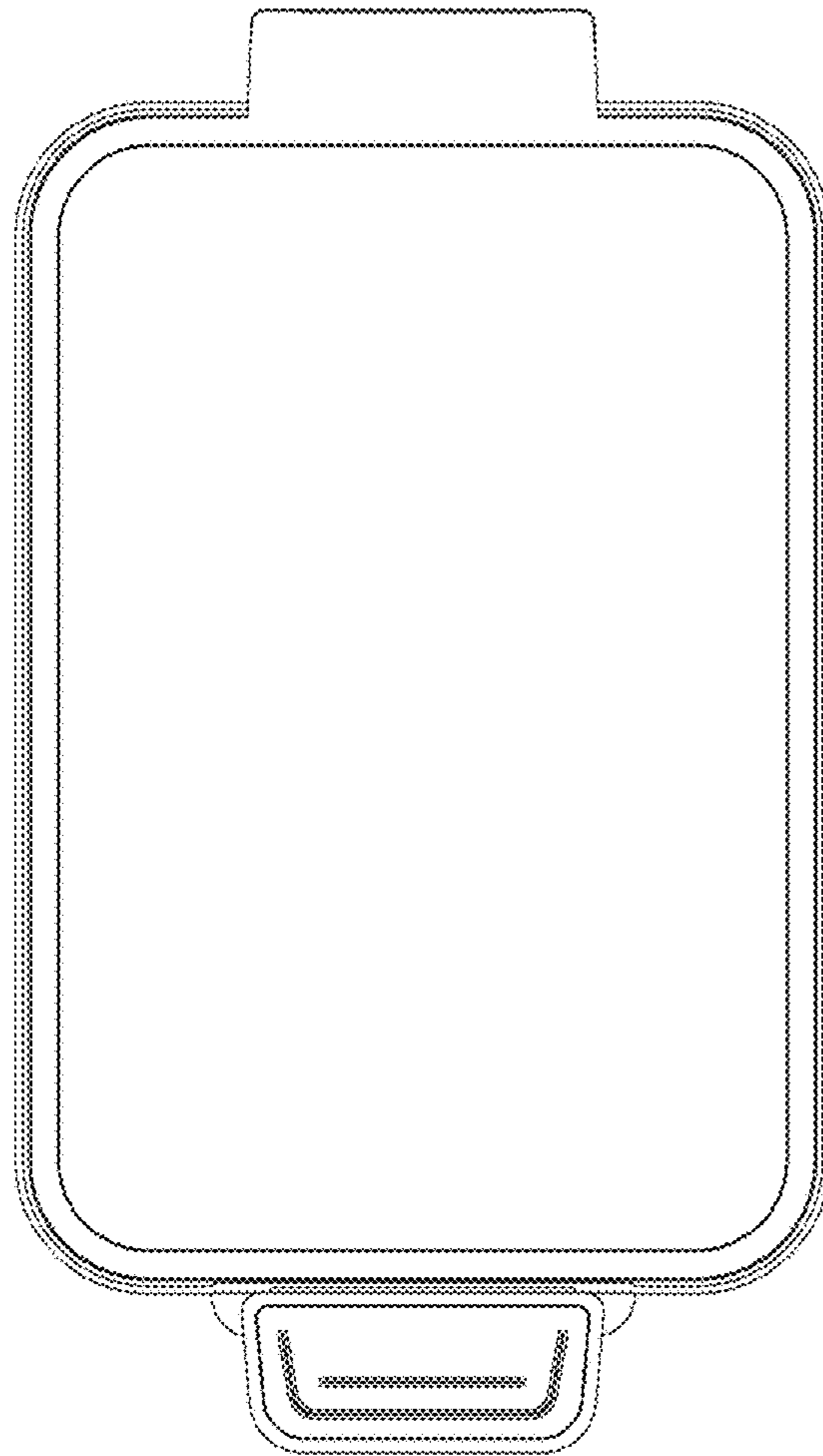


FIG. 6

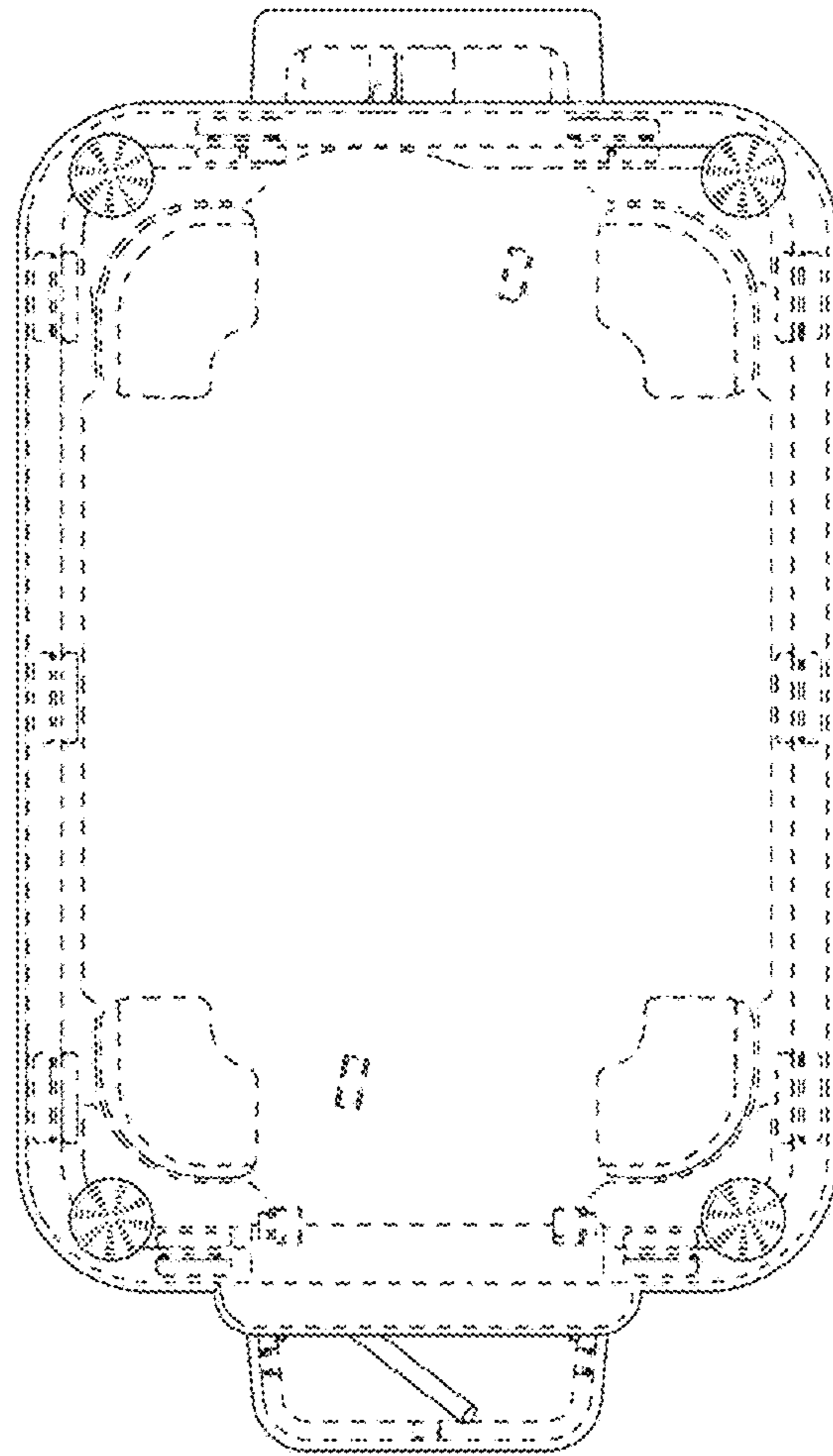


FIG. 7