



US00D853064S

(12) **United States Design Patent** (10) **Patent No.:** **US D853,064 S**
Chen (45) **Date of Patent:** **** Jul. 2, 2019**

- (54) **DOUBLE LID TRASH CAN**
- (71) Applicant: **EKO DEVELOPMENT LTD.,**
Guangzhou (CN)
- (72) Inventor: **Yizhi Chen,** Guangzhou (CN)
- (73) Assignee: **EKO DEVELOPMENT LTD.,**
Guangzhou (CN)
- (**) Term: **15 Years**
- (21) Appl. No.: **29/604,738**
- (22) Filed: **May 19, 2017**
- (51) **LOC (11) Cl.** **09-09**
- (52) **U.S. Cl.**
USPC **D34/9**
- (58) **Field of Classification Search**
USPC D34/1, 7, 9
CPC .. B65F 1/06; B65F 1/08; B65F 1/1607; B65F
1/1615; B65F 1/163; B65F 1/062; B65F
1/068
See application file for complete search history.

- (56) **References Cited**
U.S. PATENT DOCUMENTS
D246,090 S 10/1977 Gault
D333,542 S * 2/1993 McKenzie D34/7
D335,562 S 5/1993 Evans
5,242,074 A 9/1993 Conaway et al.
D343,709 S 1/1994 Doty et al.
6,345,725 B1 2/2002 Lin
D472,357 S 3/2003 Stewart
D482,169 S 11/2003 Lin
D527,155 S 8/2006 Fankhauser
(Continued)

OTHER PUBLICATIONS

Belson Outdoors "Durable Two-Piece Fiberglass Trash Receptacle",
<http://www.belson.com/Open-Top-Lift-Off-20-Gallon-Round->

Fiberglass-Trash-Can. Jun. 6, 2017. shown in Page 1, Model FG1829 TPL.

(Continued)

Primary Examiner — Cynthia Ramirez
(74) *Attorney, Agent, or Firm* — William Dippert;
Laurence Greenberg; Werner Stemer

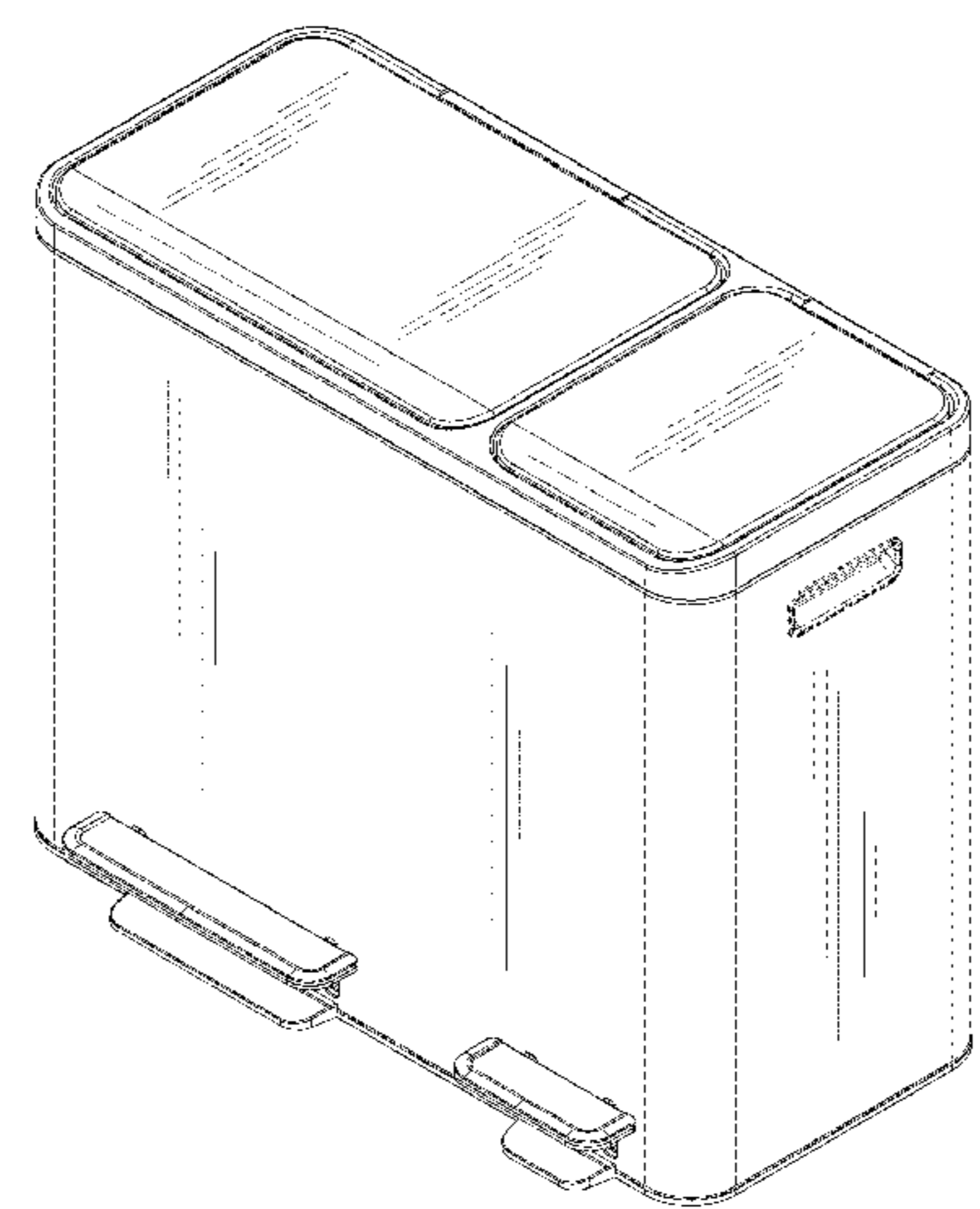
(57) **CLAIM**

The ornamental design for a double lid trash can, as shown and described.

DESCRIPTION

FIG. 1 is an isometric view of a first embodiment of my new design for a double lid trash can of the present invention. FIG. 2 is a front elevational view of the first embodiment of the invention. FIG. 3 is a top elevational view of the first embodiment and a second embodiment of the invention. FIG. 4 is a rear elevational view of the first embodiment of the invention. FIG. 5 is a left side elevational view of the first embodiment of the invention. FIG. 6 is a right side elevational view of the first embodiment of the invention. FIG. 7 is a bottom elevational view of the first embodiment and the second embodiment of the invention. FIG. 8 is an isometric view of the second embodiment of the invention. FIG. 9 is a front elevational view of the second embodiment of the invention. FIG. 10 is a rear elevational view of the second embodiment of the invention. FIG. 11 is a left side elevational view of the second embodiment of the invention; and, FIG. 12 is a right side elevational view of the second embodiment of the invention. The broken lines in the drawings represent portions of the double lid trash can that are for illustrative purposes only and do not form a part of the claimed design.

1 Claim, 12 Drawing Sheets



(56)

References Cited

U.S. PATENT DOCUMENTS

D552,321	S	10/2007	Yang et al.	
D555,318	S *	11/2007	Lin	D34/9
D571,520	S	6/2008	Lin	
D591,471	S *	4/2009	Lee	D34/9
D595,917	S *	7/2009	Liao	D34/9
D620,667	S *	7/2010	Liao	D34/9
D620,668	S *	7/2010	Liao	D34/9
D627,533	S	11/2010	Yang et al.	
D644,390	S	8/2011	Smeets et al.	
D644,806	S	9/2011	Yang et al.	
D657,108	S	4/2012	Yang et al.	
D657,109	S	4/2012	Liao	
D675,802	S	2/2013	Yang et al.	
8,820,566	B2	9/2014	Ude	
D719,313	S	12/2014	Kao	
D720,513	S	12/2014	Yang et al.	
D754,413	S	4/2016	Wall	
D759,934	S	6/2016	Yang et al.	
D813,485	S *	3/2018	Liao	D34/7
2009/0314779	A1 *	12/2009	Lee	B65F 1/163 220/263

OTHER PUBLICATIONS

Amazon "Simplehuman Bullet Open Trash Can", https://www.amazon.com/simplehuman-Bullet-Trash-Commercial-Stainless/dp/B000BHUHP0/ref=cm_cr_arp_d_product_top?ie=UTF8. Apr. 17, 2008. shown in p. 1, Model No. CW1407.

* cited by examiner

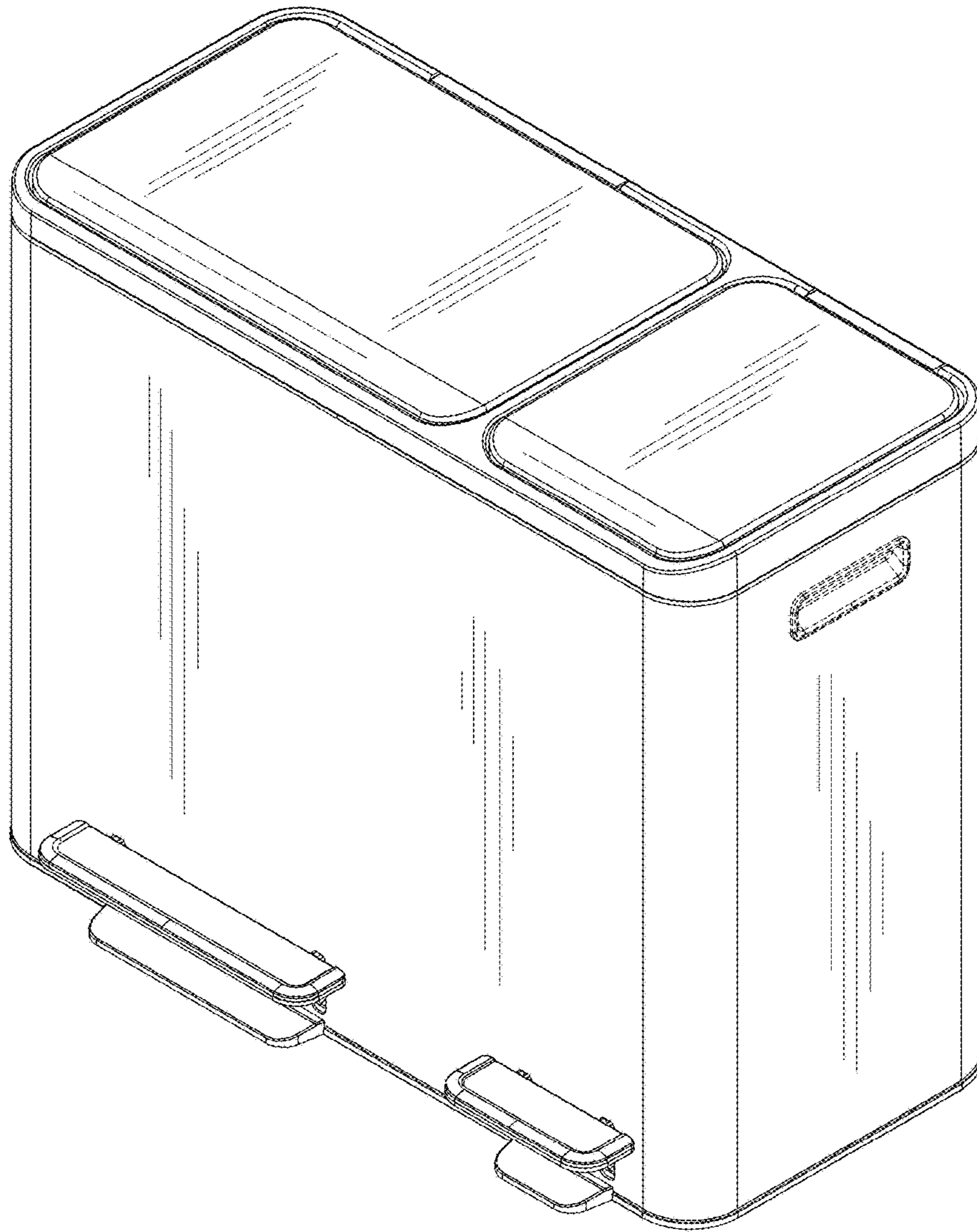


FIG. 1

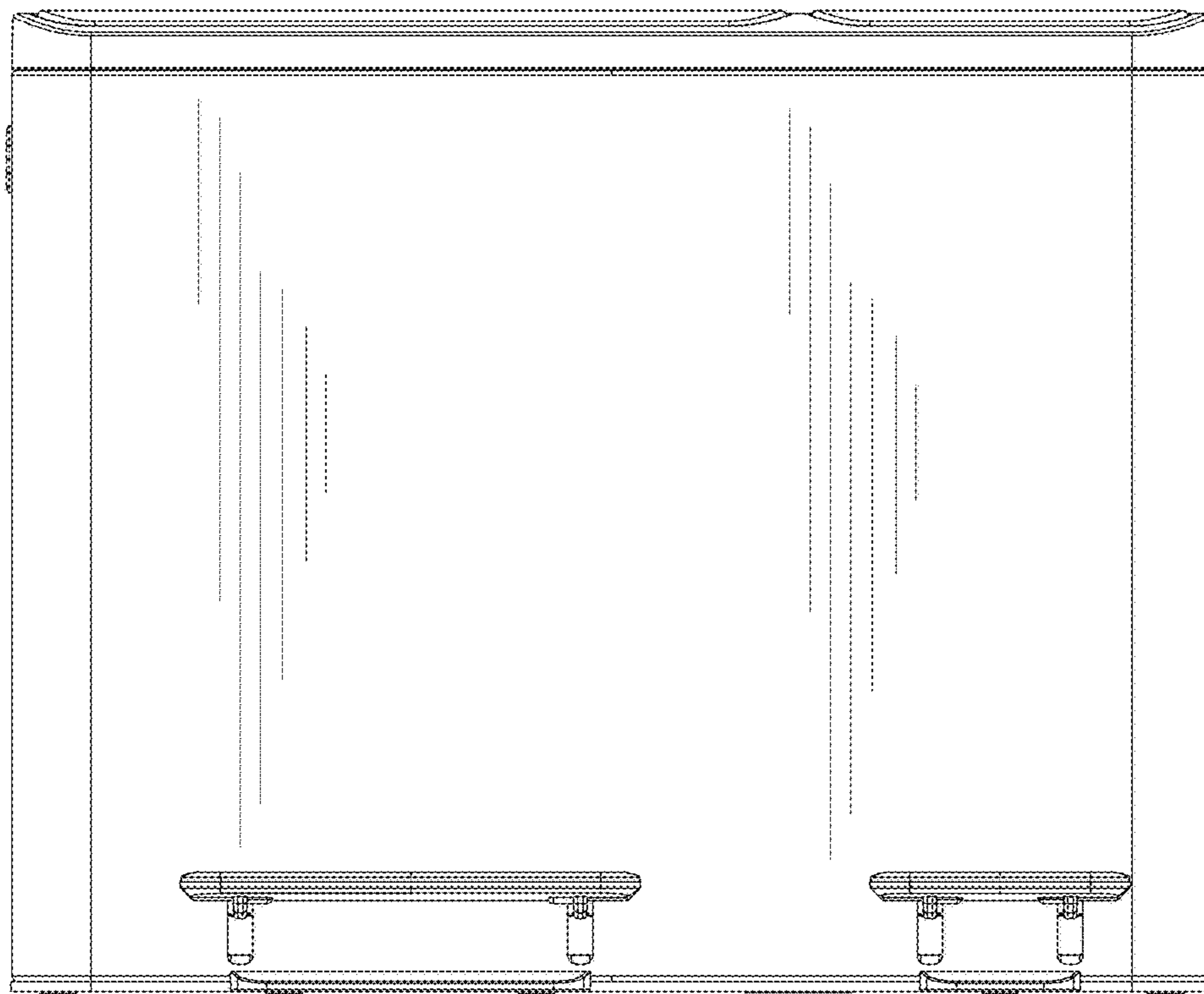


FIG. 2

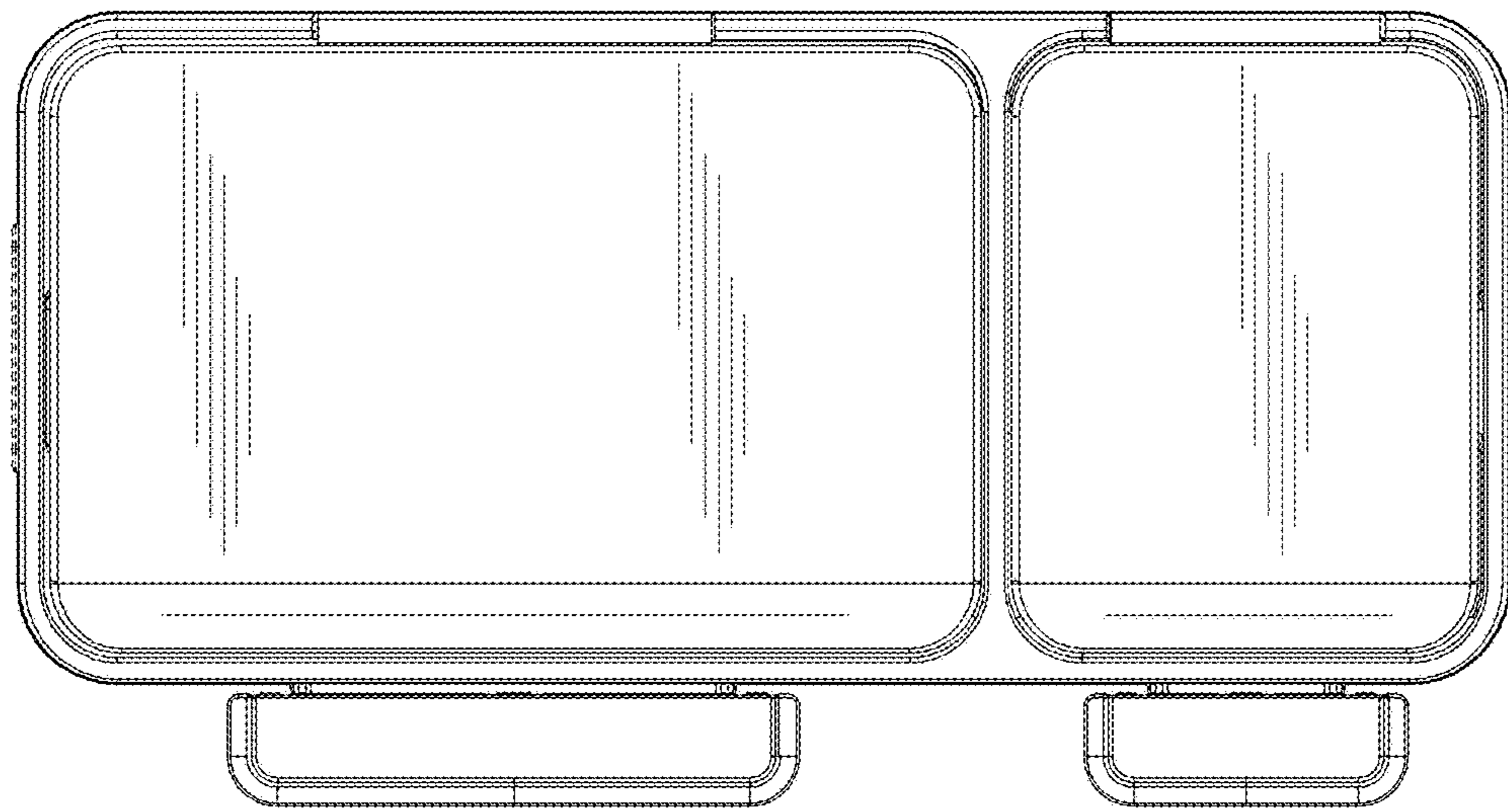


FIG. 3

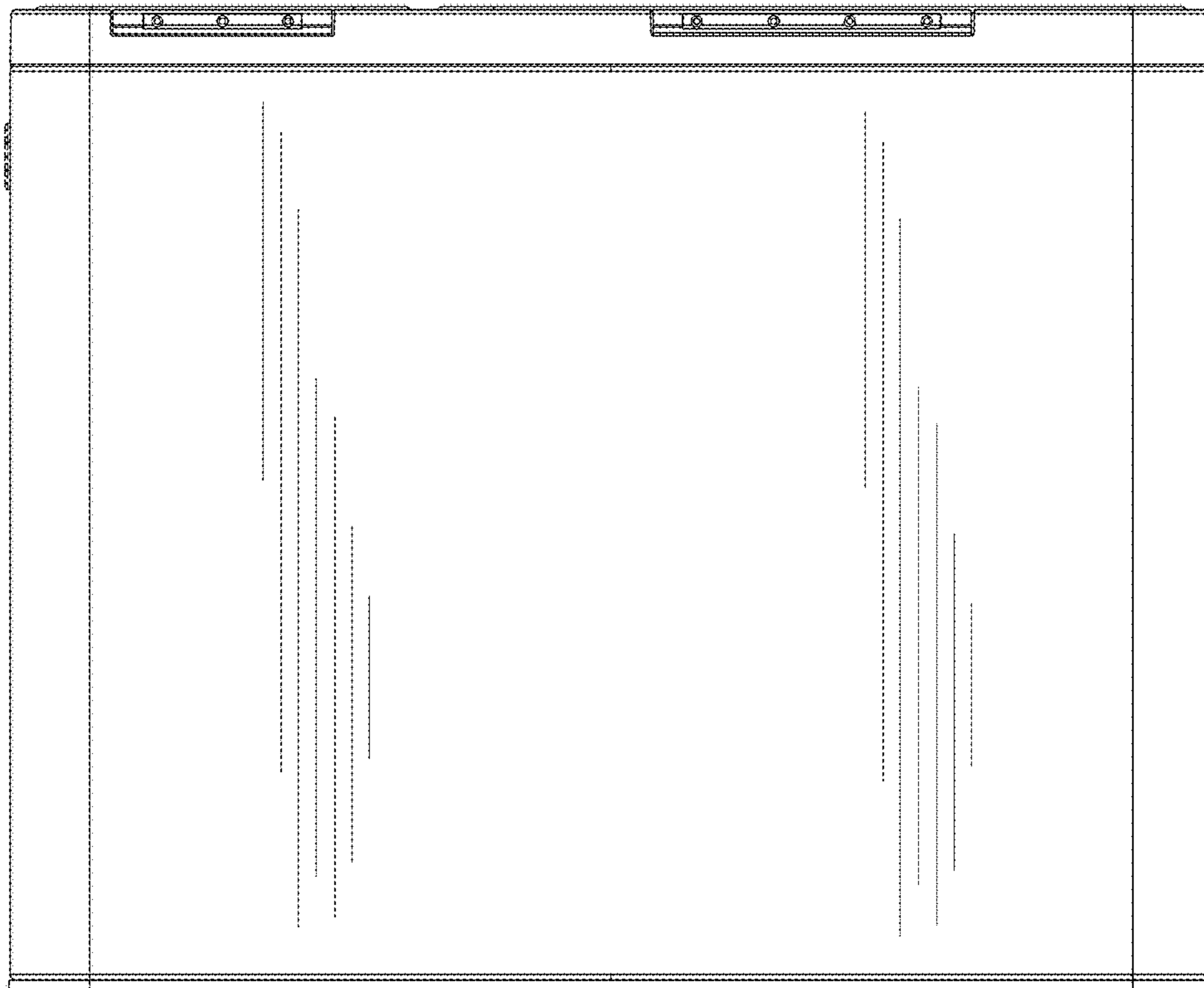


FIG. 4

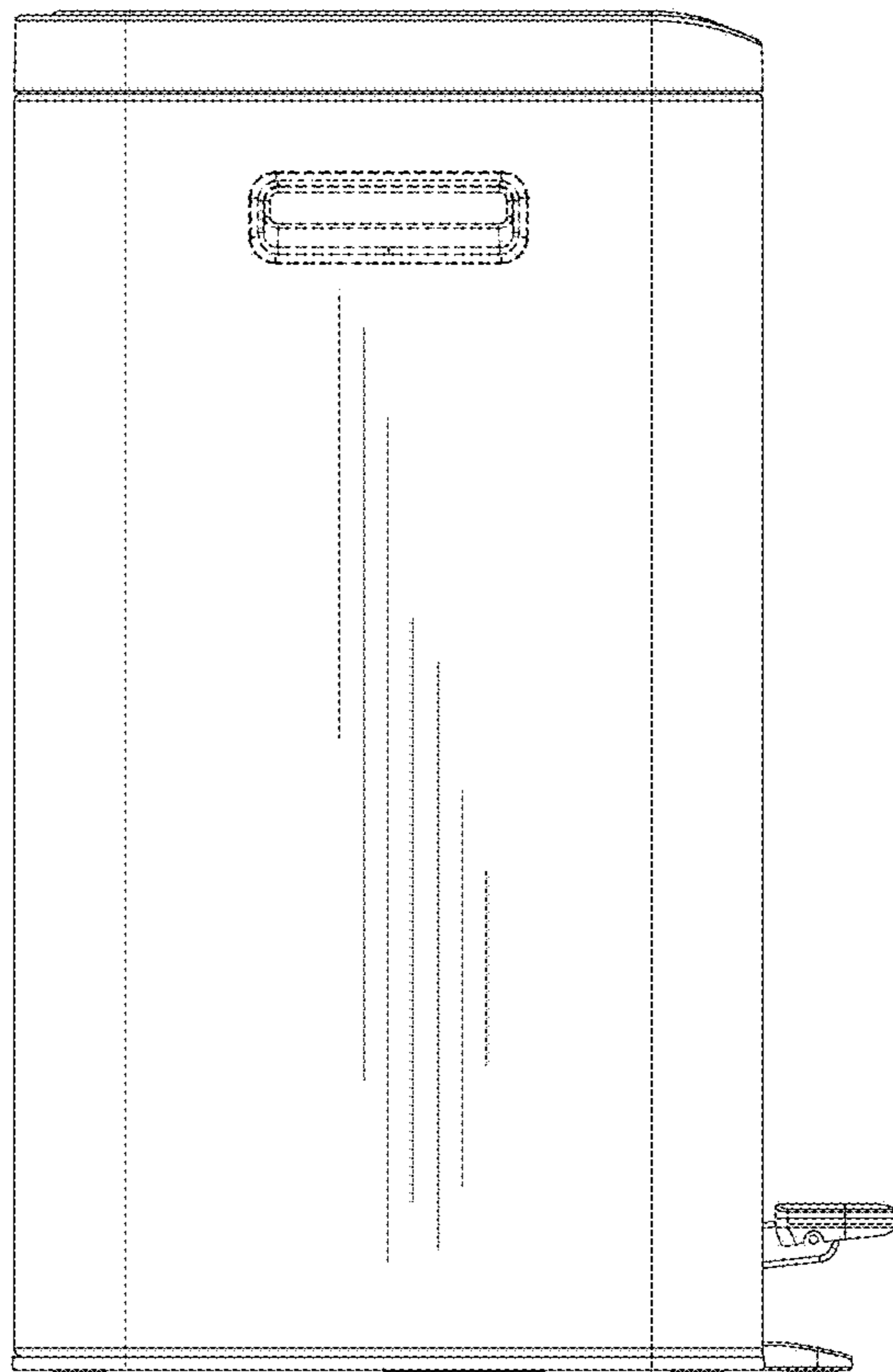


FIG. 5

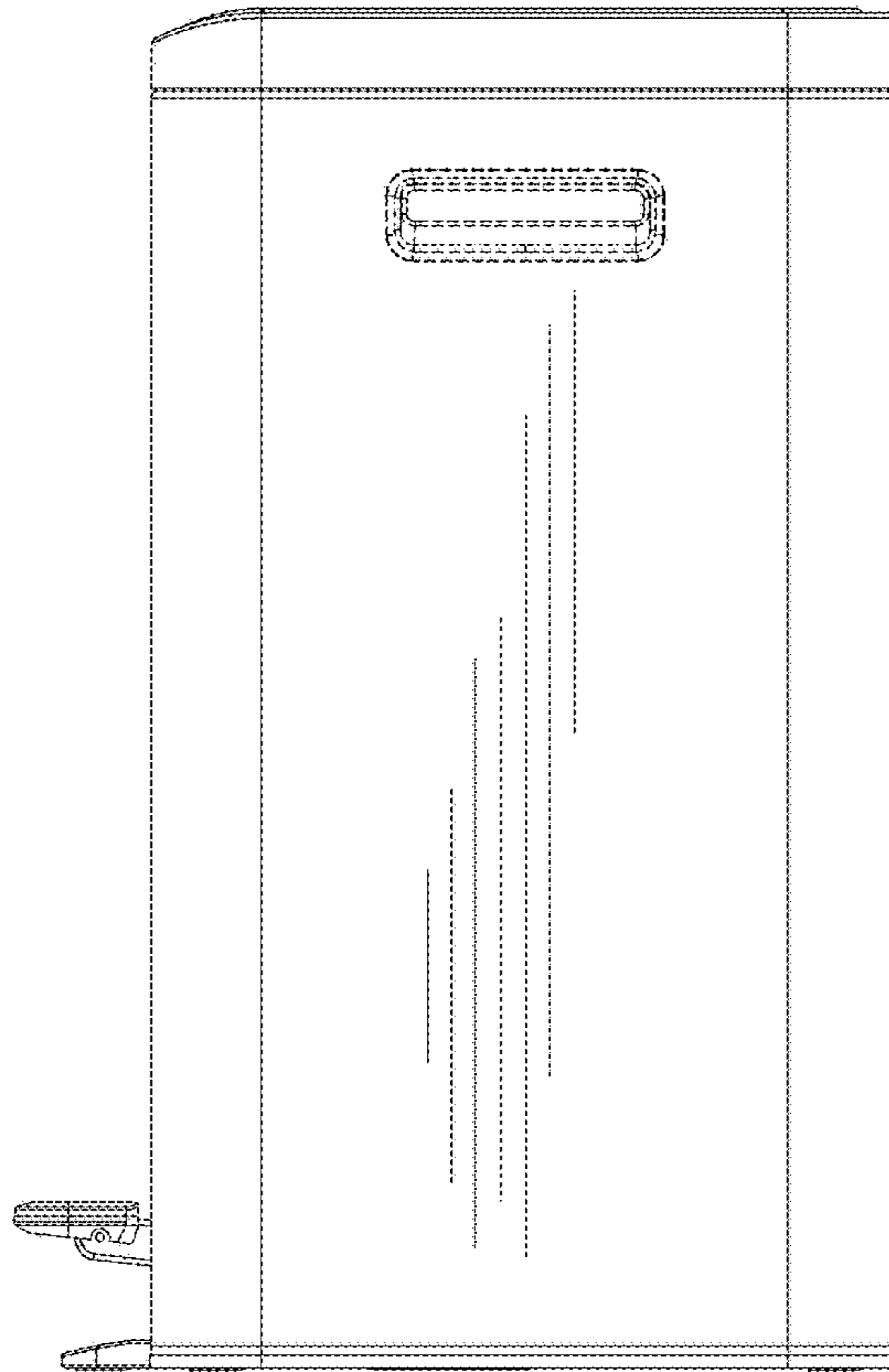


FIG. 6

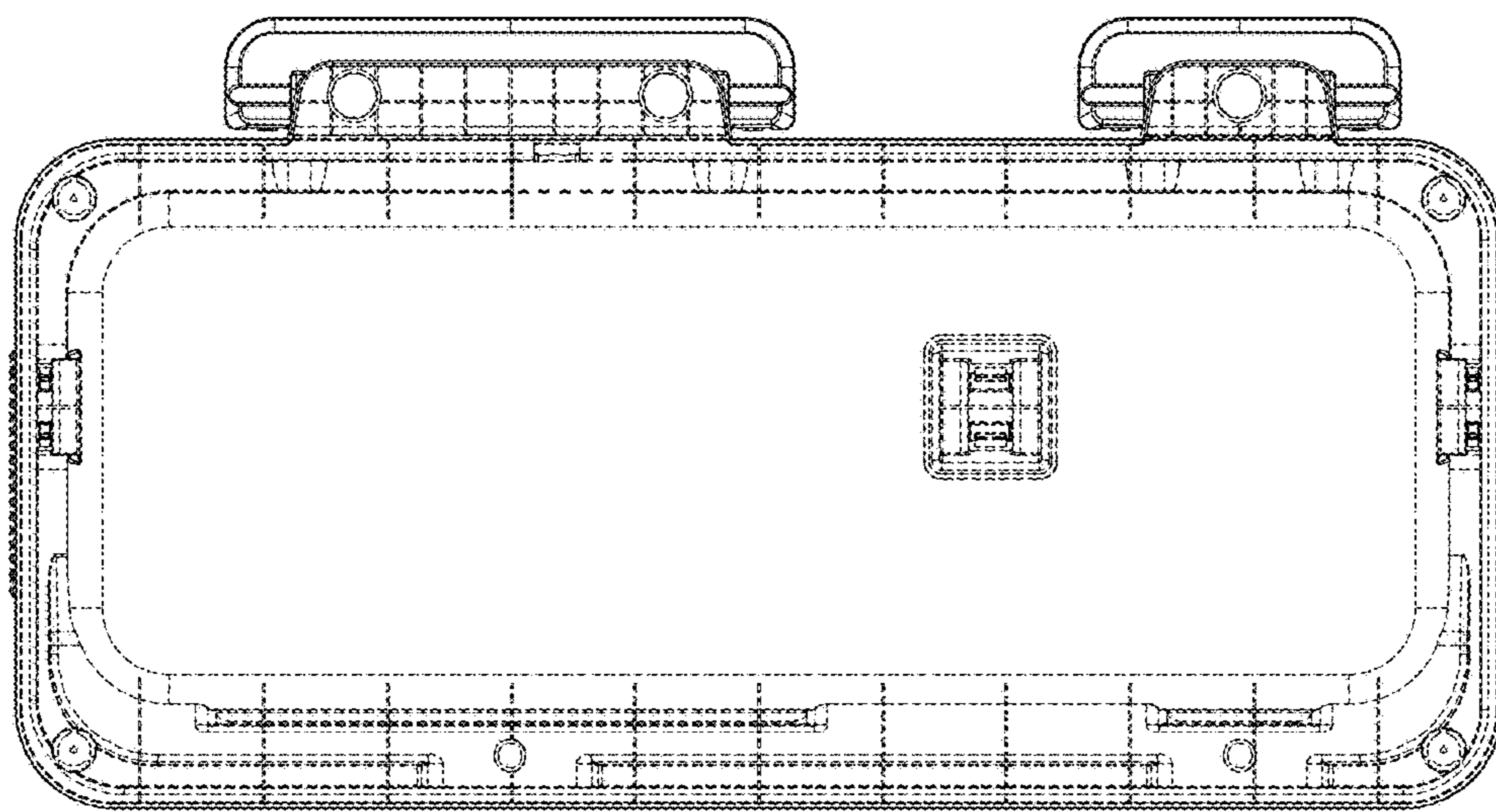


FIG. 7

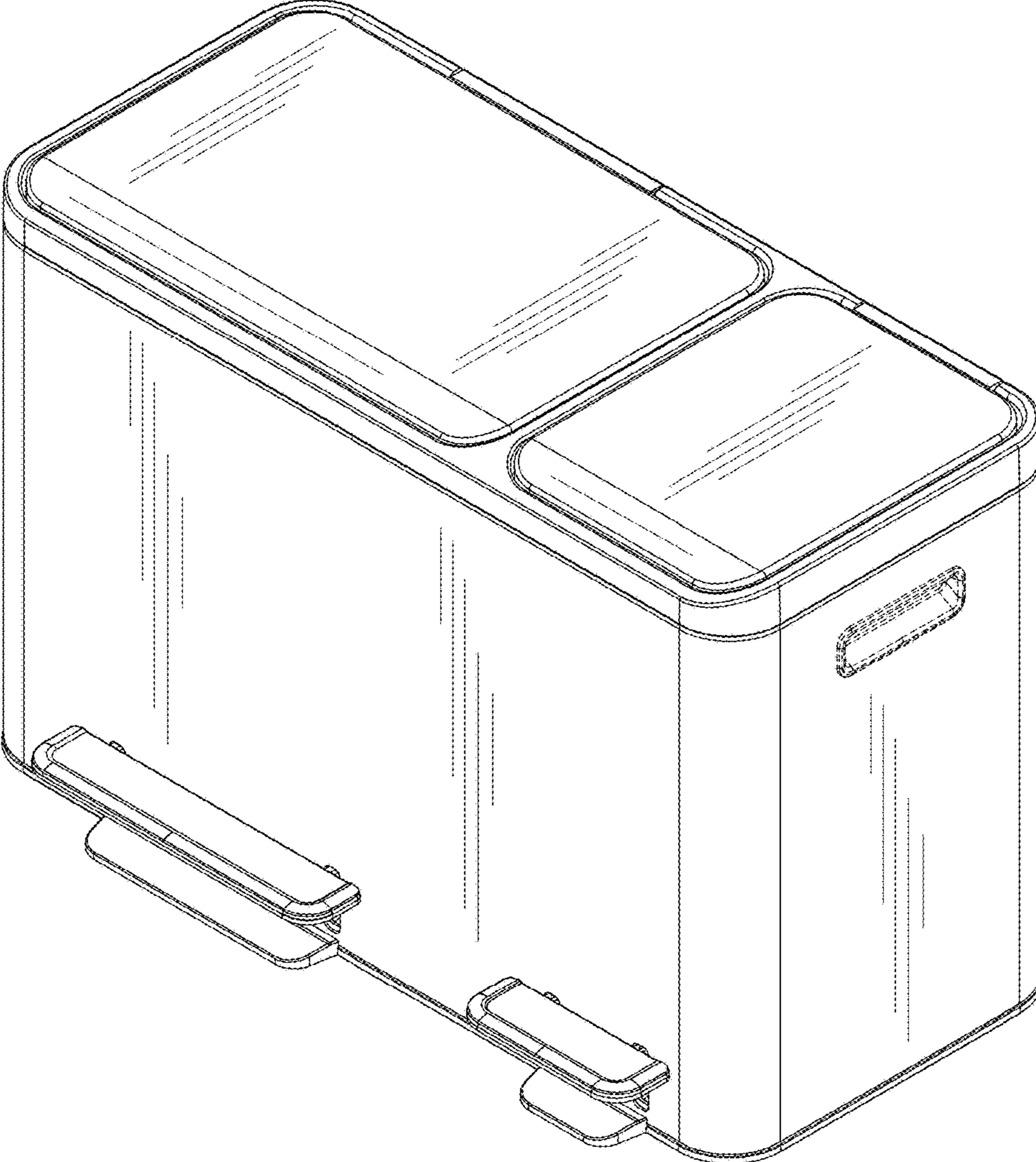


FIG. 8

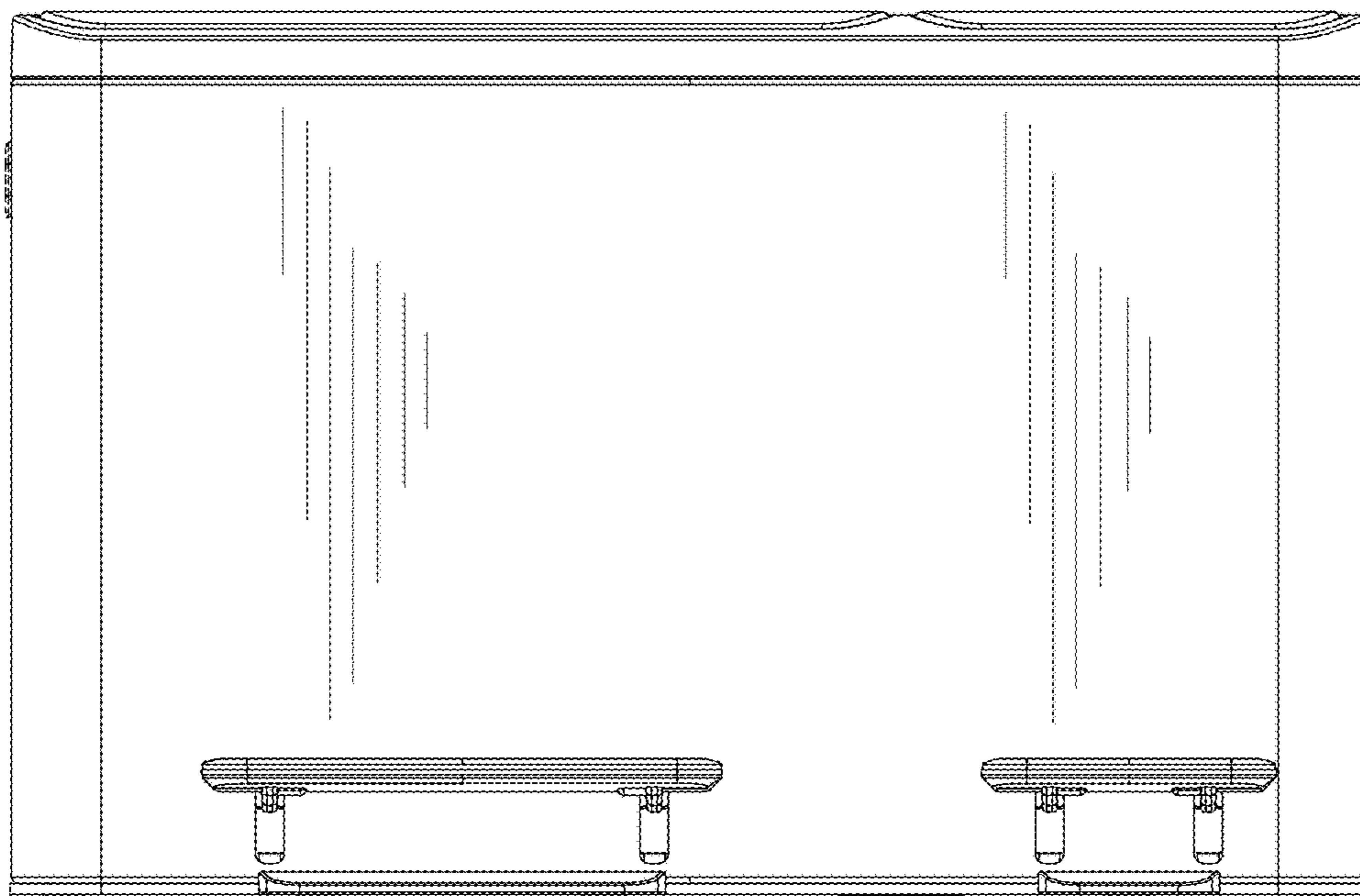


FIG. 9

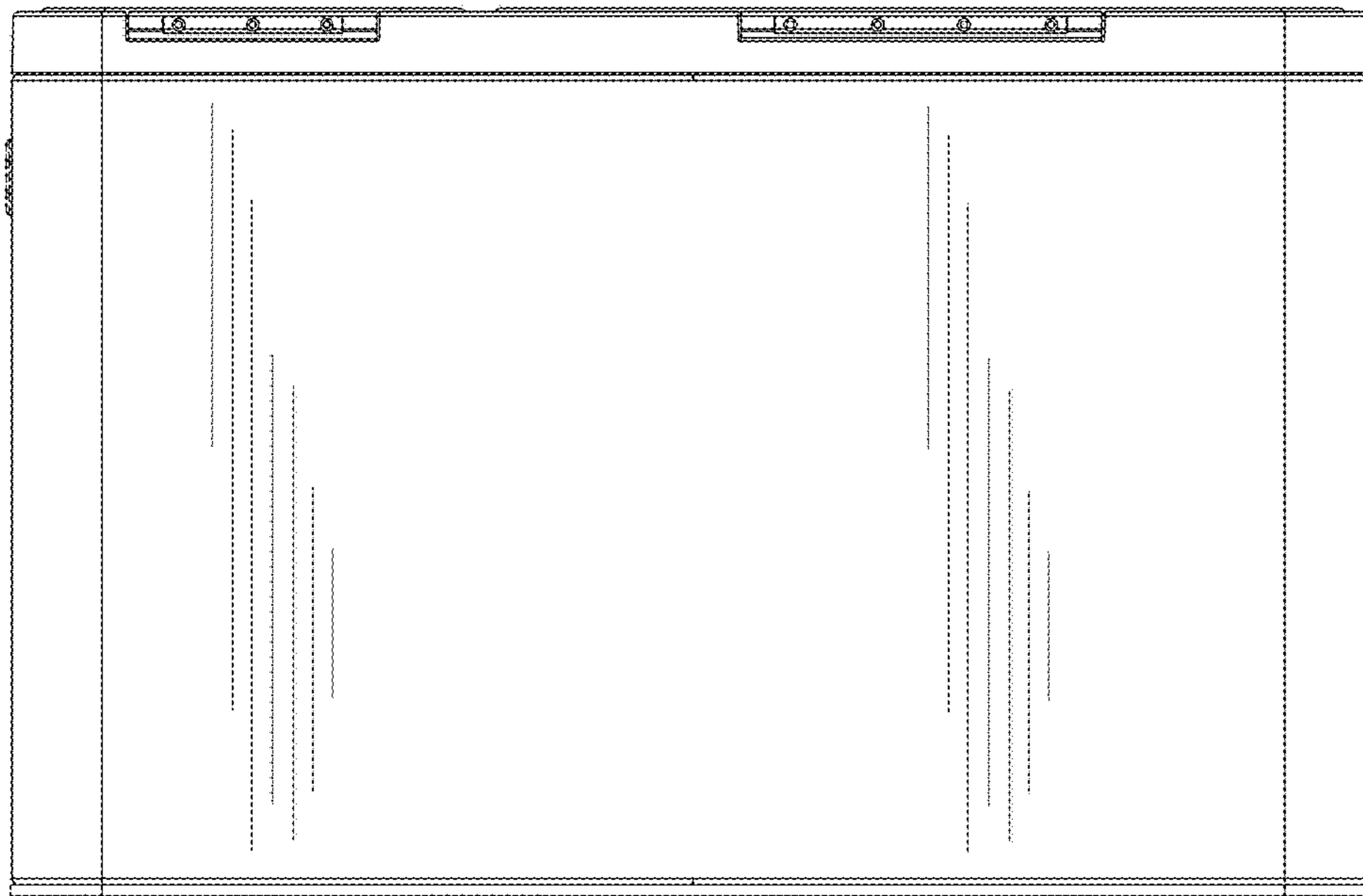


FIG. 10

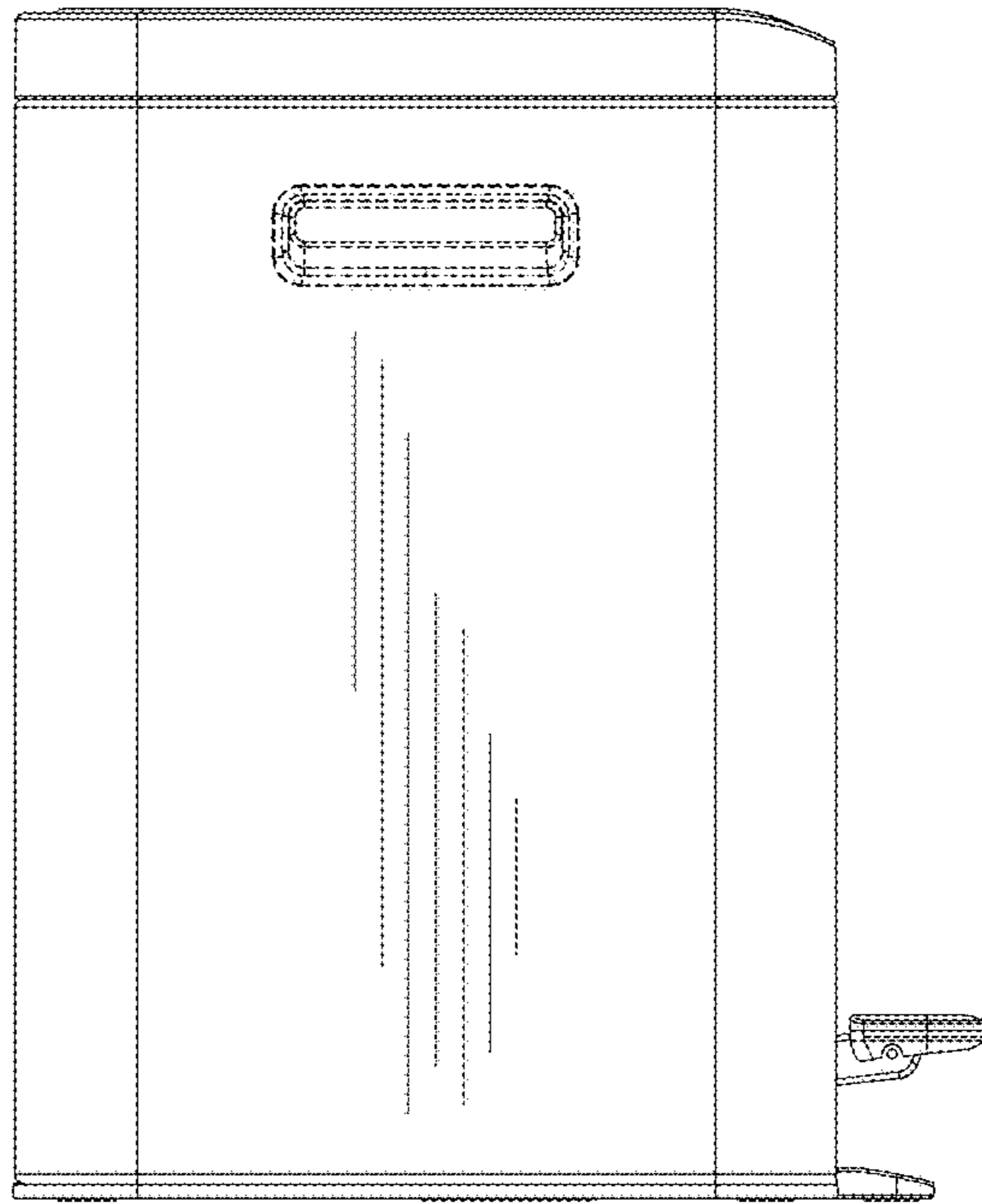


FIG. 11

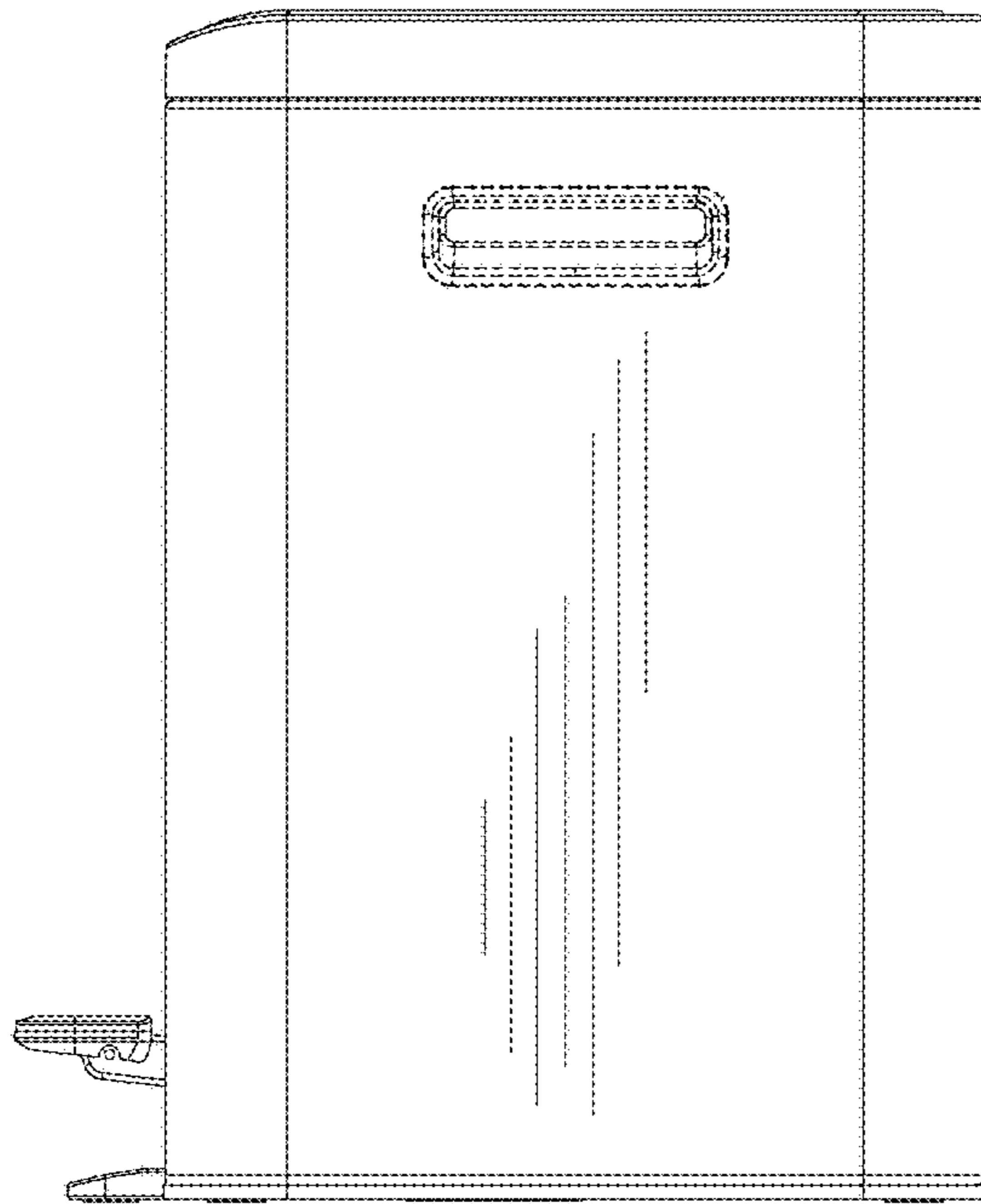


FIG. 12