



US00D853062S

(12) **United States Design Patent** (10) **Patent No.:** **US D853,062 S**
Yoo et al. (45) **Date of Patent:** **** Jul. 2, 2019**

(54) **ELECTRIC WASHING MACHINE WITH CLOTHES DRYER**

Primary Examiner — Khawaja Anwar
(74) *Attorney, Agent, or Firm* — Birch, Stewart, Kolasch & Birch, LLP

(71) Applicant: **LG ELECTRONICS INC.**, Seoul (KR)

(57) **CLAIM**

(72) Inventors: **Taewoo Yoo**, Seoul (KR); **Junghwan Lee**, Seoul (KR); **Kyungah Lee**, Seoul (KR); **Hyewon Kim**, Seoul (KR); **Jeaseok Seong**, Seoul (KR)

The ornamental design for an electric washing machine with clothes dryer, as shown and described.

(73) Assignee: **LG ELECTRONICS INC.**, Seoul (KR)

DESCRIPTION

(**) Term: **15 Years**

- 1. Electric washing machine with clothes dryer
- 1.1 : Perspective
- 1.2 : Front
- 1.3 : Back
- 1.4 : Left
- 1.5 : Right
- 1.6 : Top
- 1.7 : Bottom
- 1.8 : Front right perspective
- 1.9 : Front left perspective
- 1.10 : Front
- 1.11 : Back
- 1.12 : Left
- 1.13 : Right
- 1.14 : Top
- 1.15 : Bottom

(21) Appl. No.: **35/504,072**

(22) Filed: **Jun. 8, 2017**

(80) **Hague Agreement Data**

Int. Filing Date: **Jun. 8, 2017**
Int. Reg. No.: **DM/096540**
Int. Reg. Date: **Jun. 8, 2017**
Int. Reg. Pub. Date: **Dec. 8, 2017**

(30) **Foreign Application Priority Data**

Dec. 8, 2016 (KR) 30-2016-0059416

(51) **LOC (11) Cl.** **15-05**

(52) **U.S. Cl.**
USPC **D32/25**

(58) **Field of Classification Search**
USPC D32/1, 5-10, 25, 26, 28
(Continued)

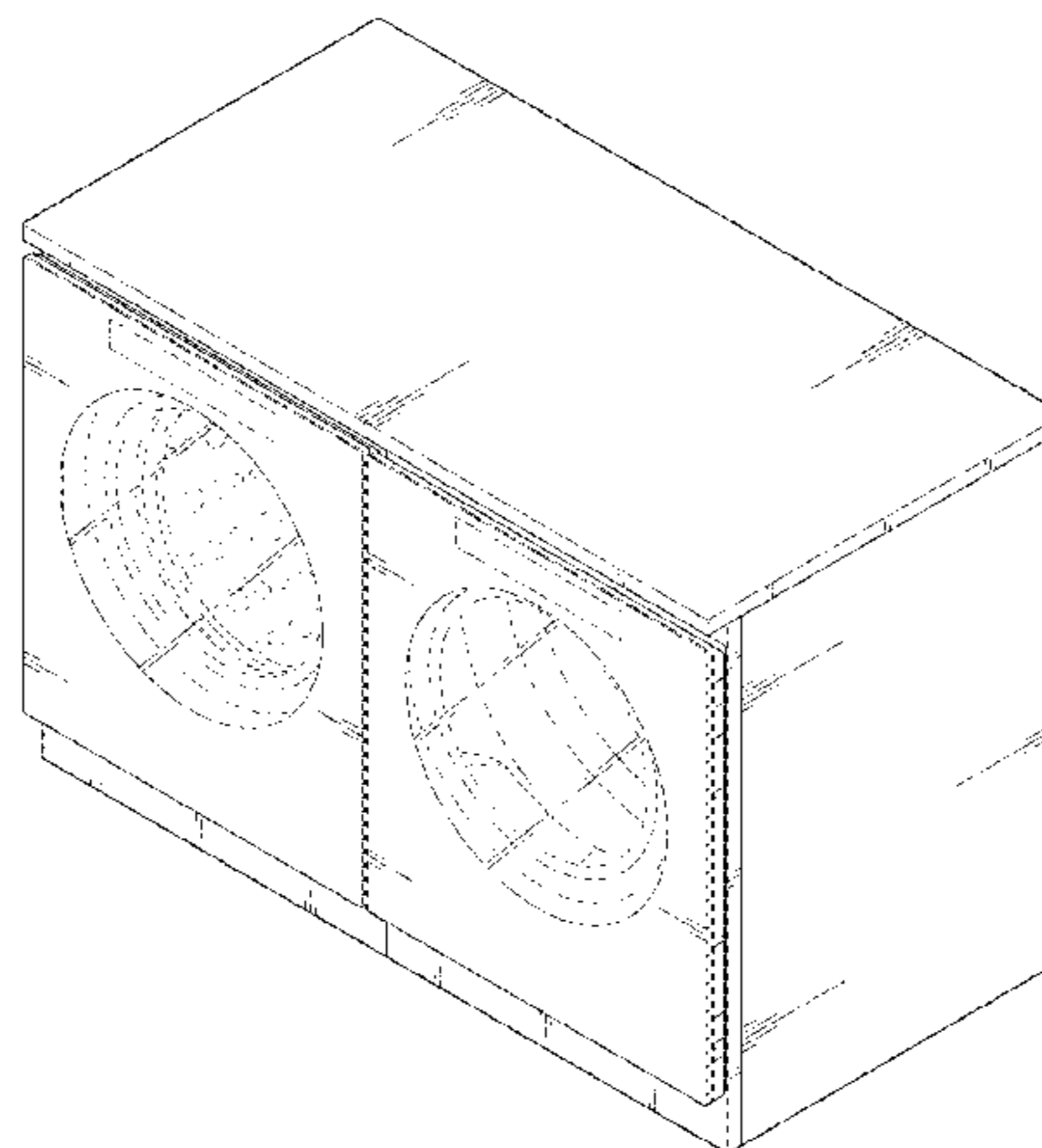
(56) **References Cited**

U.S. PATENT DOCUMENTS

D135,721 S * 5/1943 Russell D32/5
D172,387 S * 6/1954 Geldhof D32/5
(Continued)

The broken lines depict portions of the electric washing machine with clothes dryer that form no part of the claimed design; reproduction 1.1 is a front perspective view of the electric washing machine with clothes dryer; reproduction 1.8 is a front right perspective view thereof in a condition that the left and right doors have been opened; reproduction 1.9 is a front left perspective view thereof in a condition that the left and right doors have been opened; reproductions 1.2 and 1.10 are front views of reproductions 1.1 and 1.8, respectively; reproductions 1.3 and 1.11 are back views of reproductions 1.1 and 1.8, respectively; reproductions 1.4 and 1.12 are left views of reproductions 1.1 and 1.8, respectively; reproductions 1.5 and 1.13 are right views of reproductions 1.1 and 1.8, respectively; reproductions 1.6 and 1.14 are top views of reproductions 1.1 and 1.8, and respec-

(Continued)



tively; reproductions 1.7 and 1.15 are bottom views of reproductions 1.1 and 1.8, respectively.

1 Claim, 15 Drawing Sheets

(58) Field of Classification Search

CPC D06F 39/14; D06F 33/02; D06F 37/28;
D06F 37/304; D06F 39/005; D06F 39/12;
D06F 37/30; D06F 29/00; D06F 37/10;
D06F 37/203; D06F 39/02; D06F 58/02;
D06F 29/02; D06F 31/00; D06F 33/00;
D06F 35/00; D06F 37/04; D06F 39/007;
D06F 58/22; D06F 17/08; D06F 1/04;
D06F 2058/2803; D06F 2202/00; D06F
2202/02; D06F 2202/12; D06F 2204/02;
D06F 2204/04; D06F 2204/065; D06F
2204/086; D06F 2214/00; D06F 2220/00;
D06F 2224/00; D06F 2232/00; D06F
23/02; D06F 23/04; D06F 29/005; D06F

35/005; D06F 35/006; D06F 37/00; D06F
37/12; D06F 37/225; D06F 37/263; D06F
37/266; D06F 37/268; D06F 37/36; D06F
37/40; D06F 37/42; D06F 39/003; D06F
39/004; D06F 39/008; D06F 39/08; D06F
39/085; D06F 39/087; D06F 39/088;
D06F 39/125; D06F 53/02; D06F 58/203;
D06F 58/206; D06F 58/24; D06F 58/28;
D06F 81/06

See application file for complete search history.

(56)

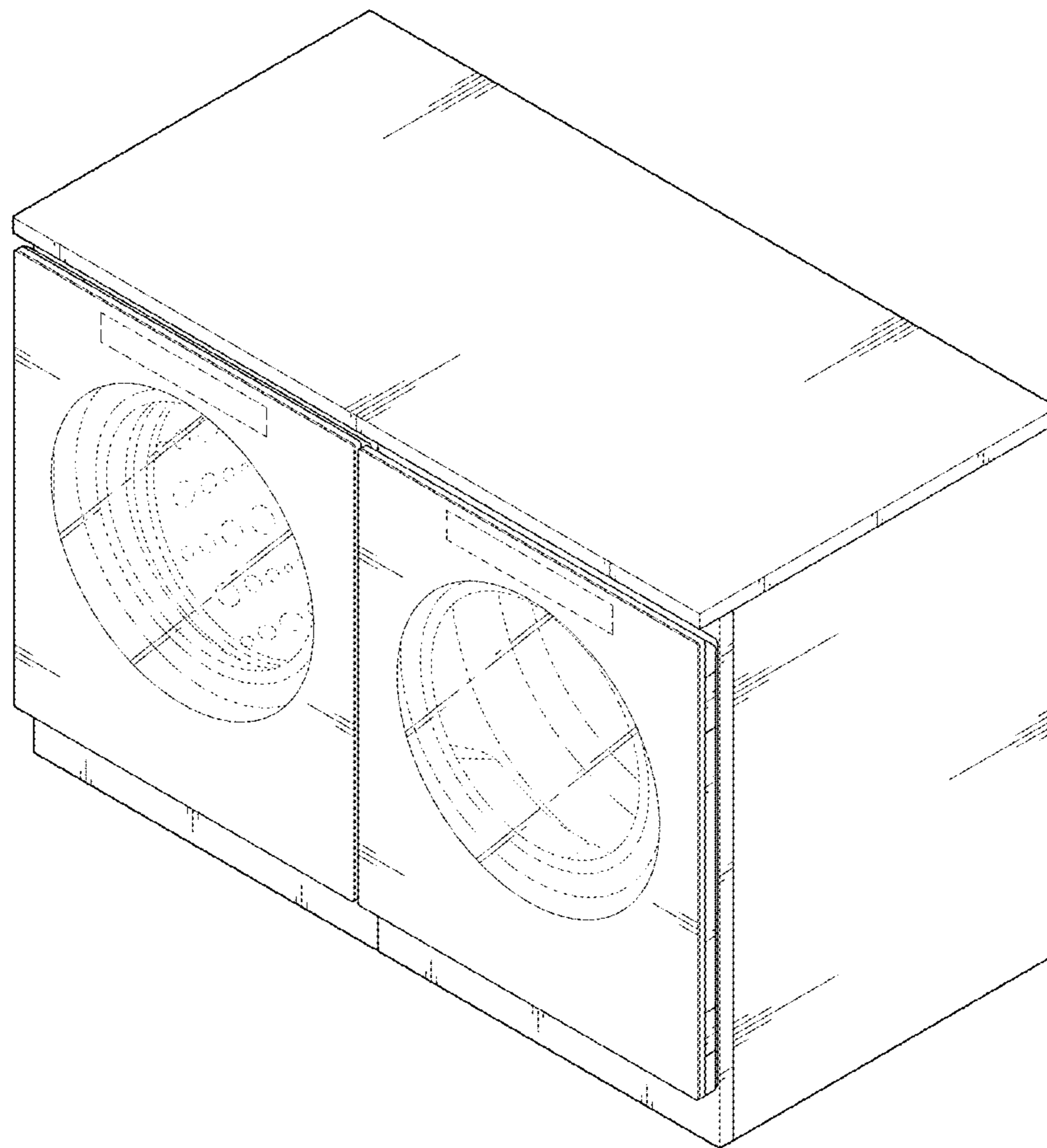
References Cited

U.S. PATENT DOCUMENTS

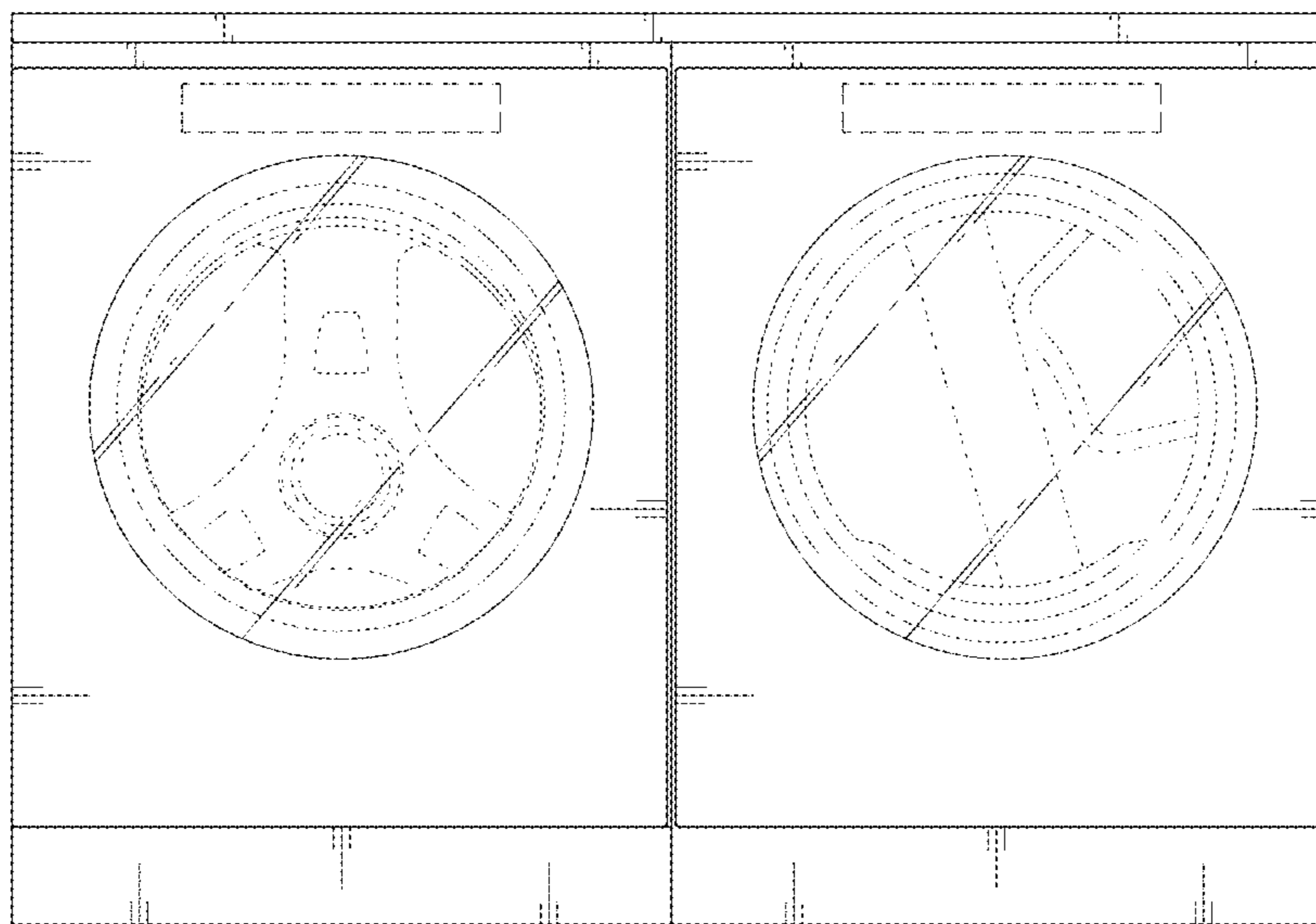
D298,873 S * 12/1988 Erickson D32/5
6,978,556 B1 * 12/2005 Cornelious D06F 29/00
34/527
D517,254 S * 3/2006 Geyer D32/5

* cited by examiner

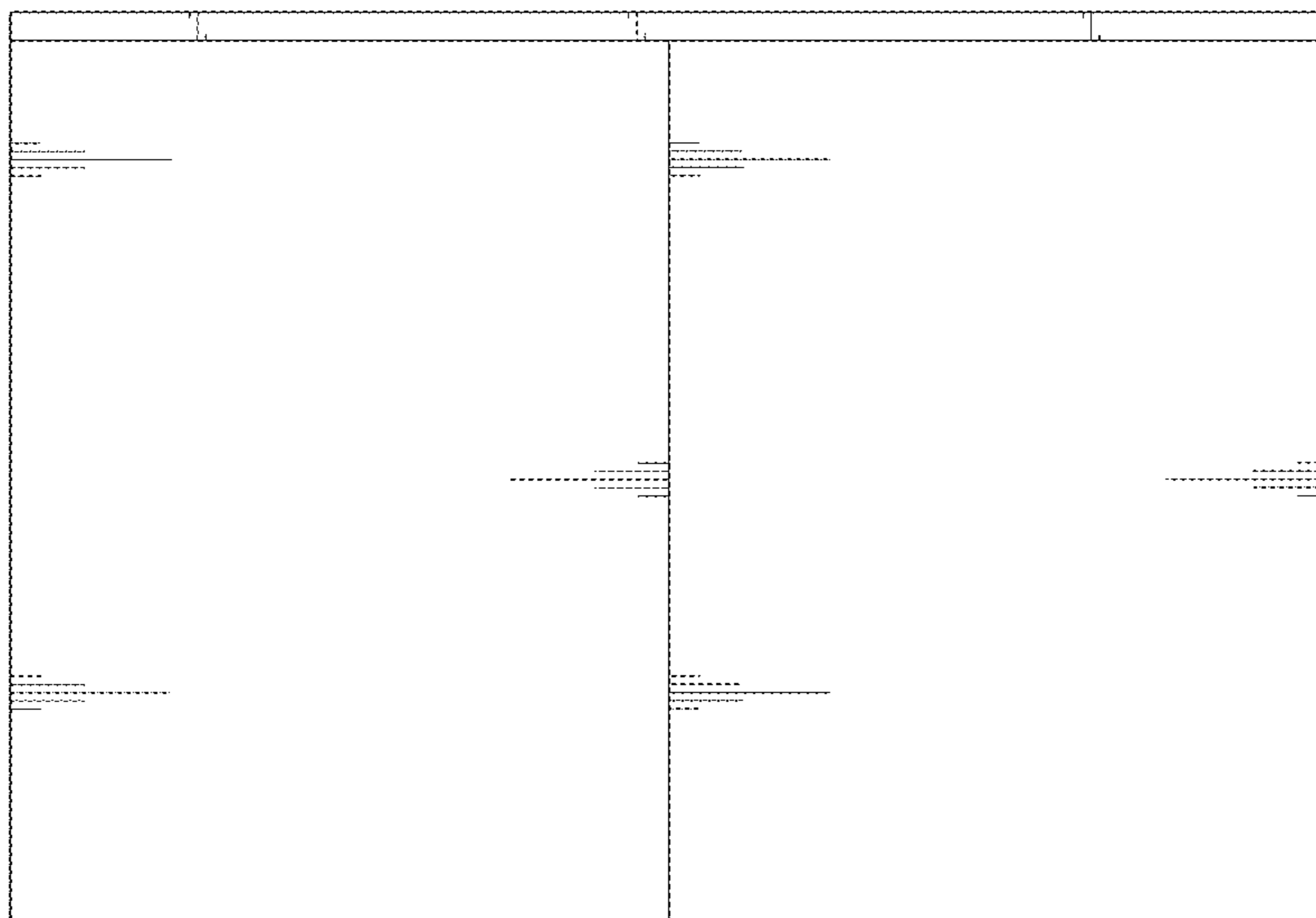
1.1



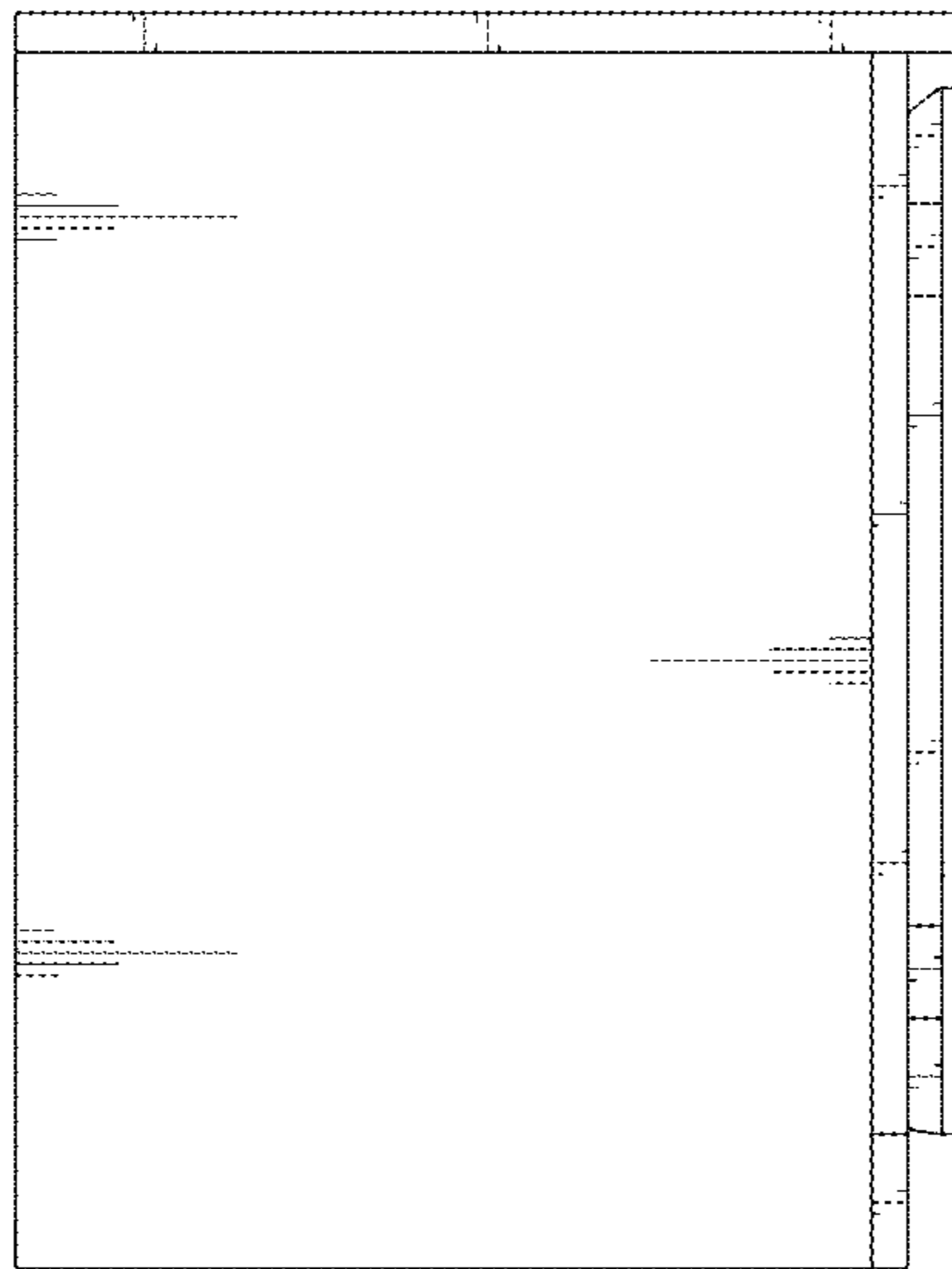
1.2



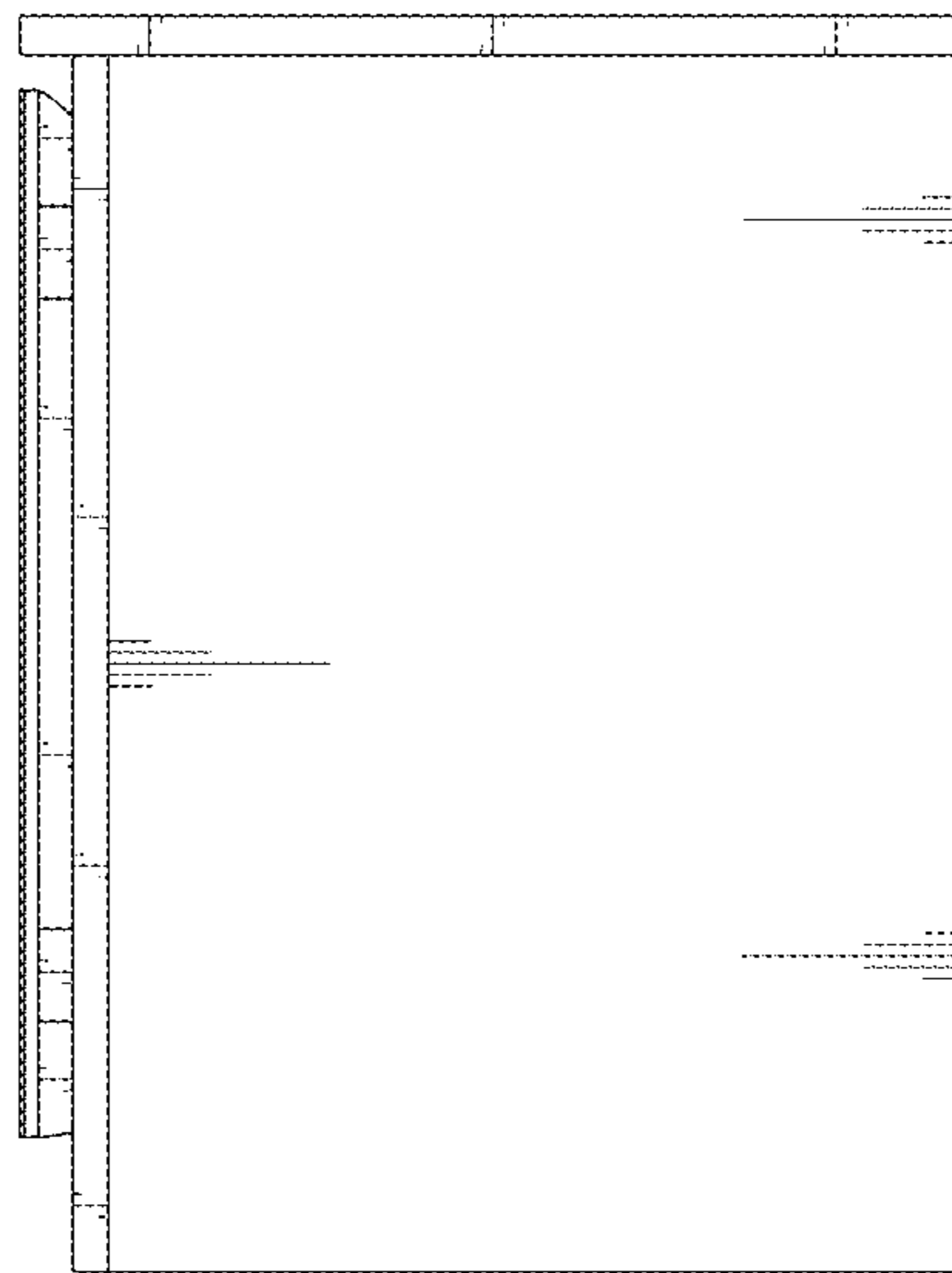
1.3



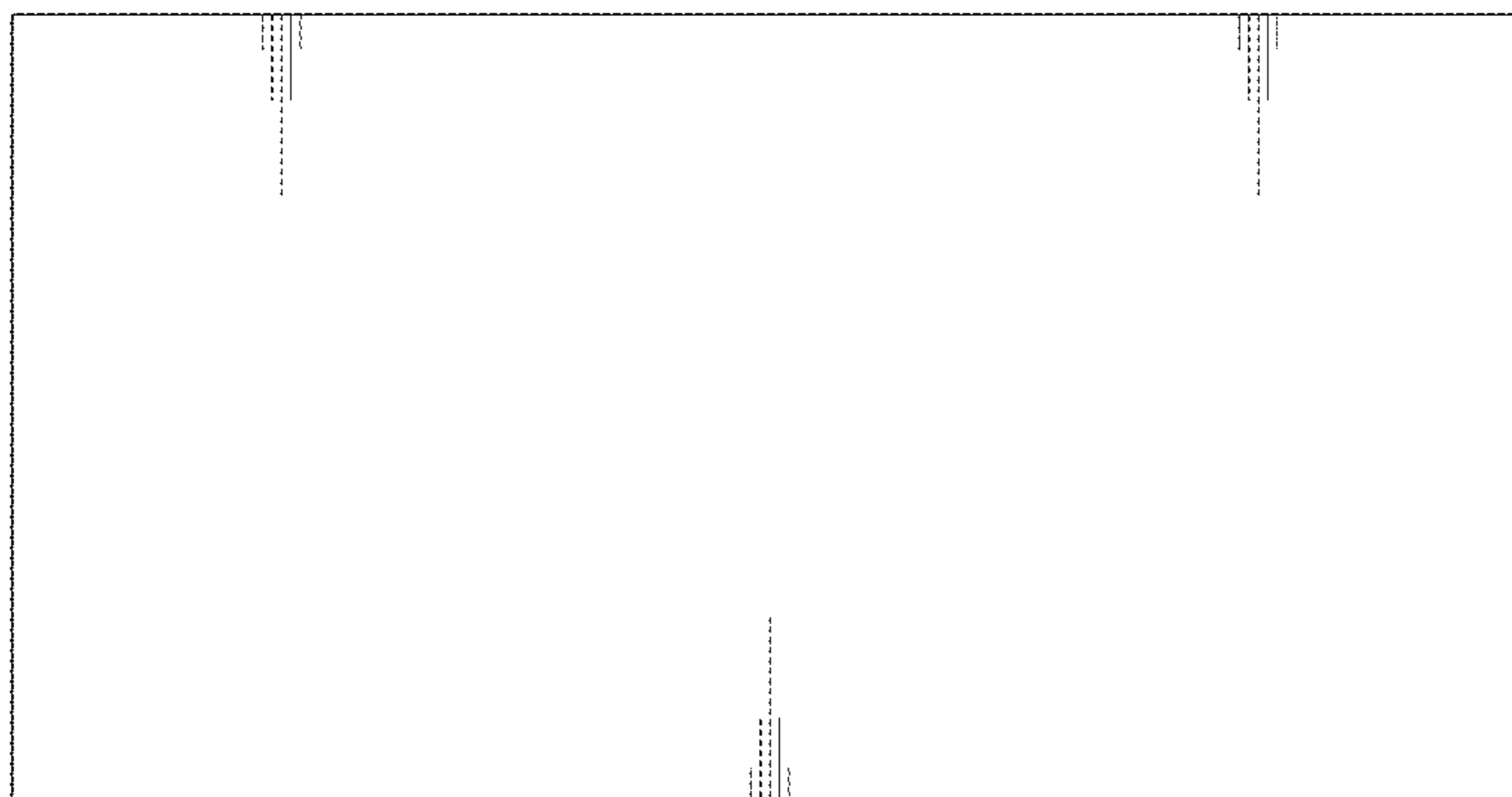
1.4



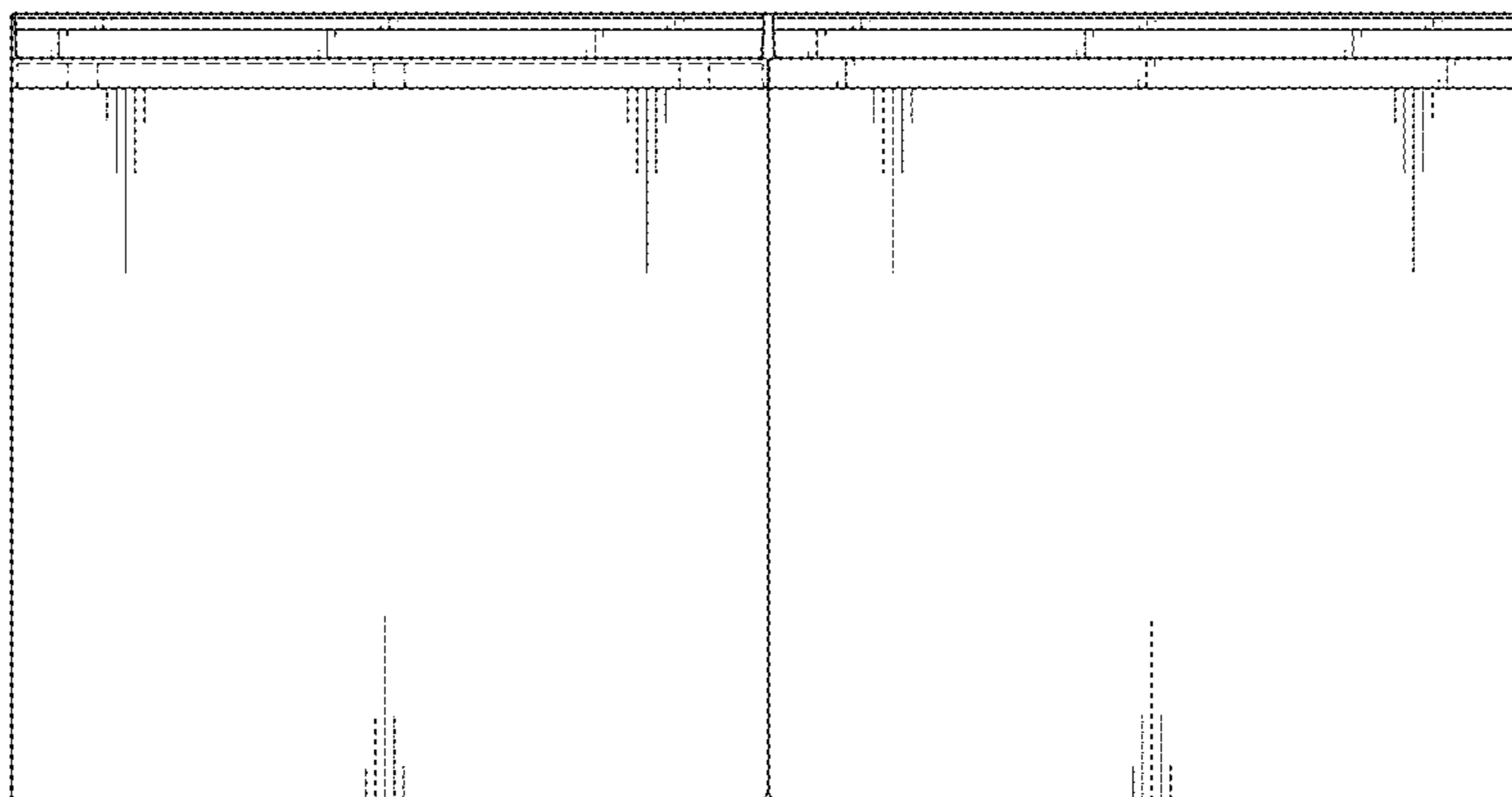
1.5



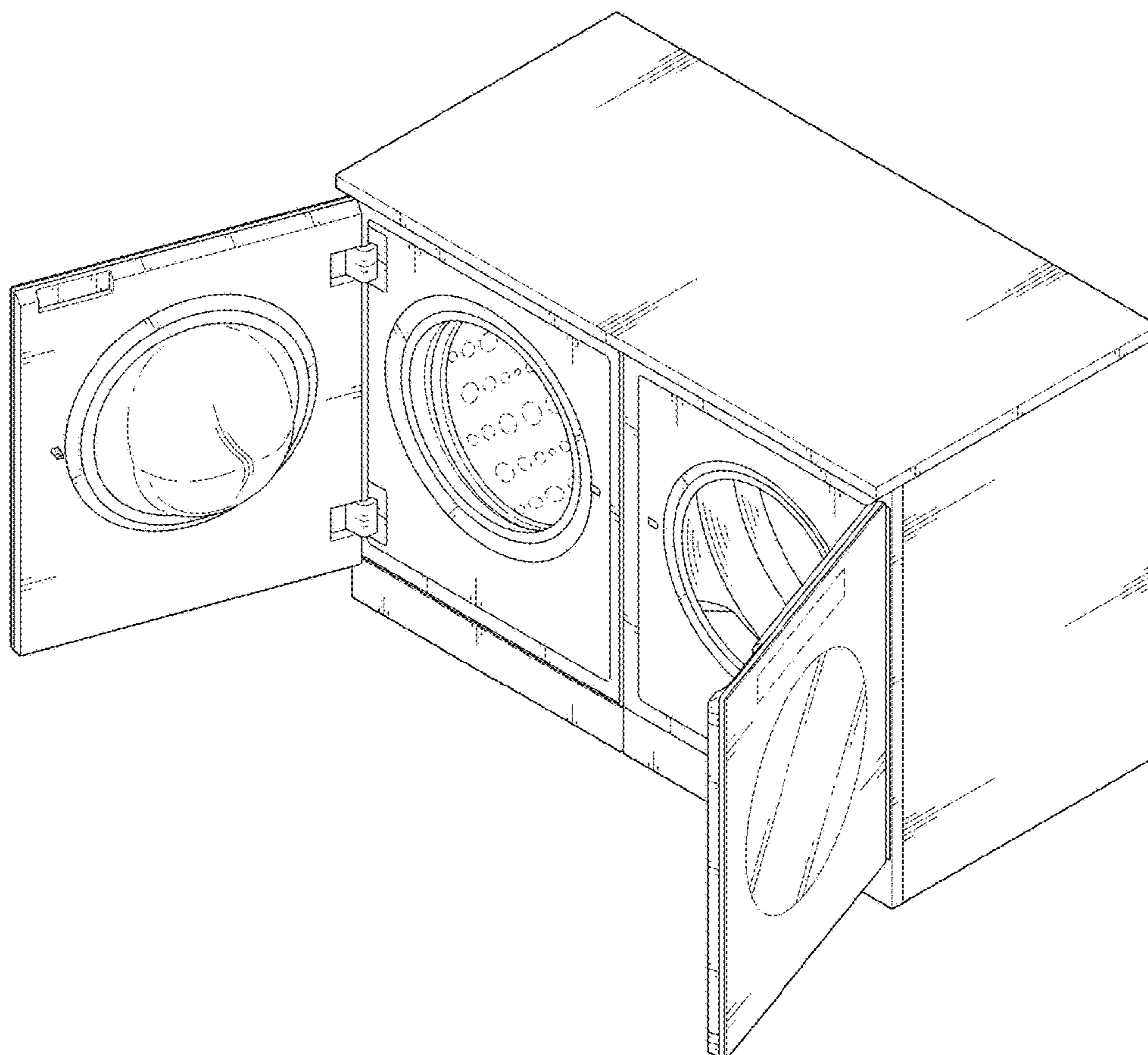
1.6



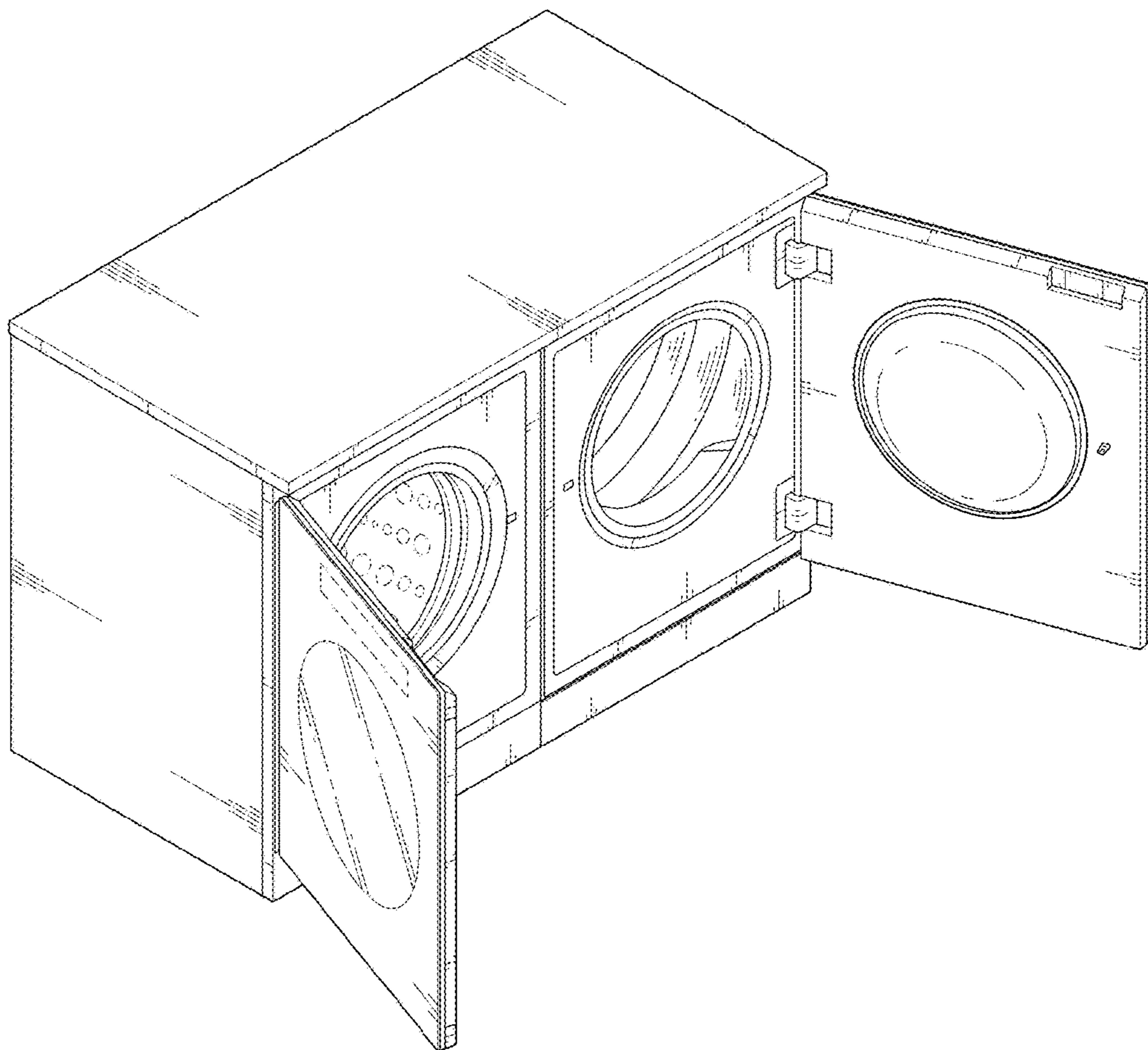
1.7



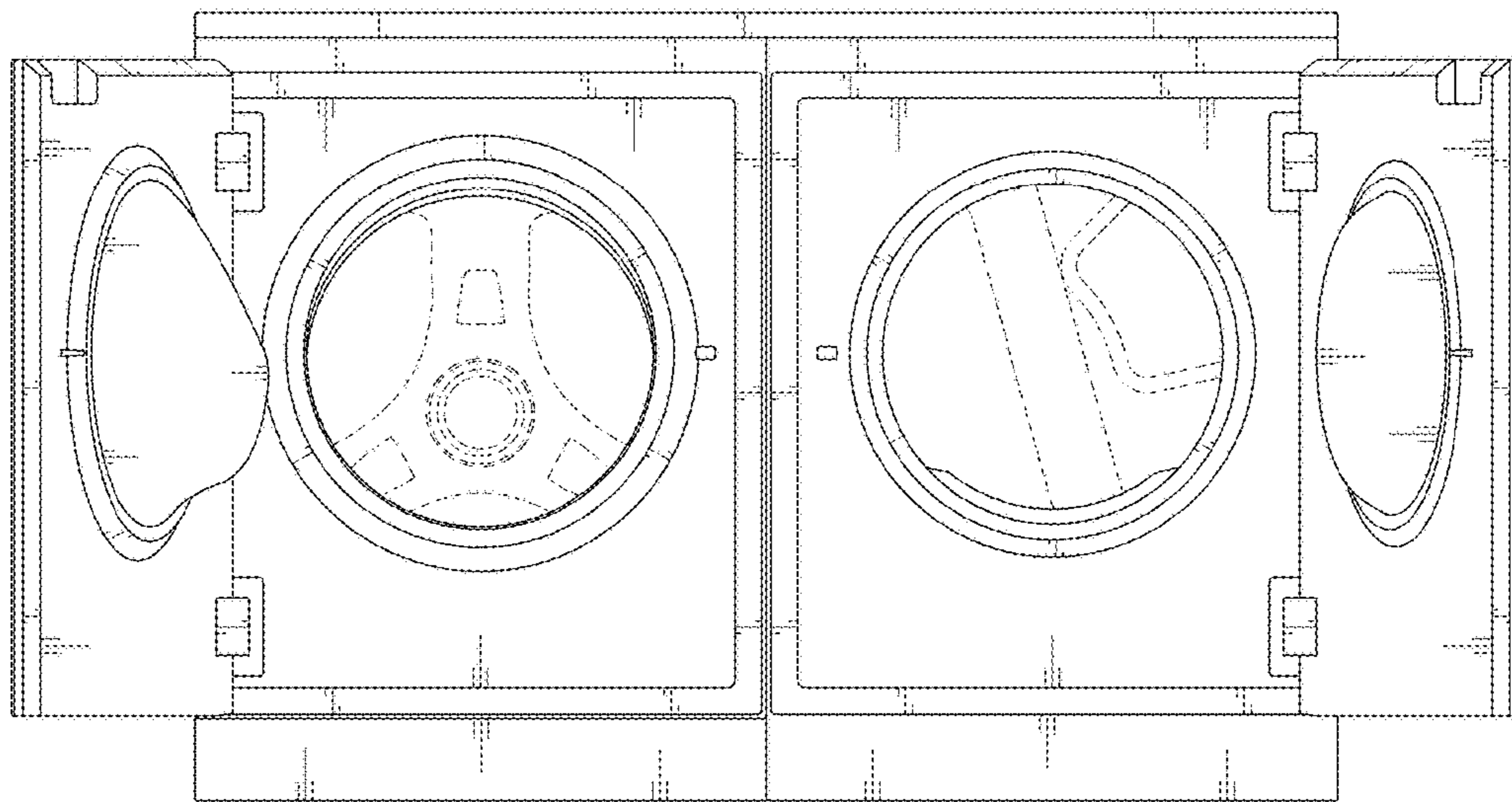
1.8



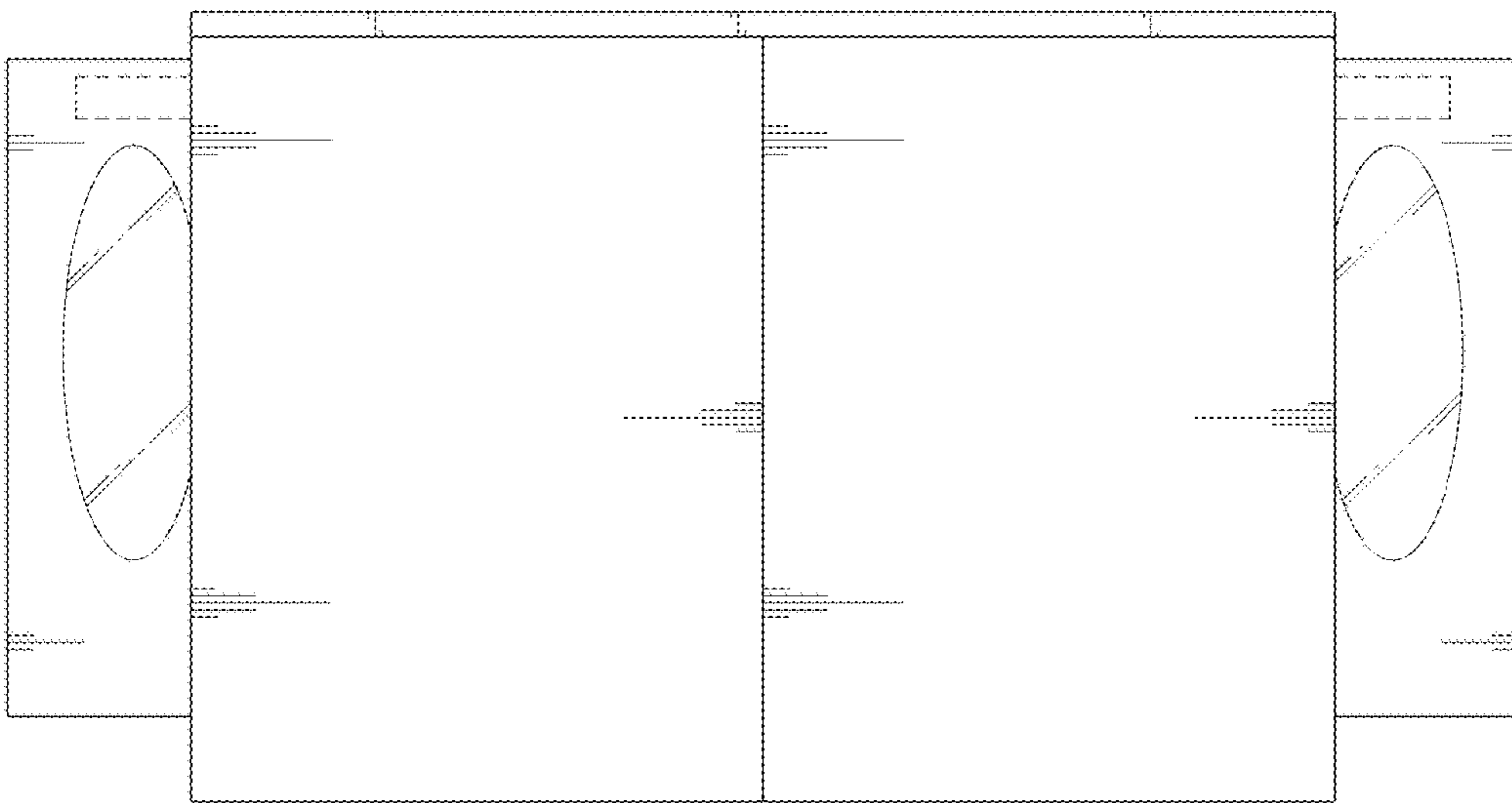
1.9



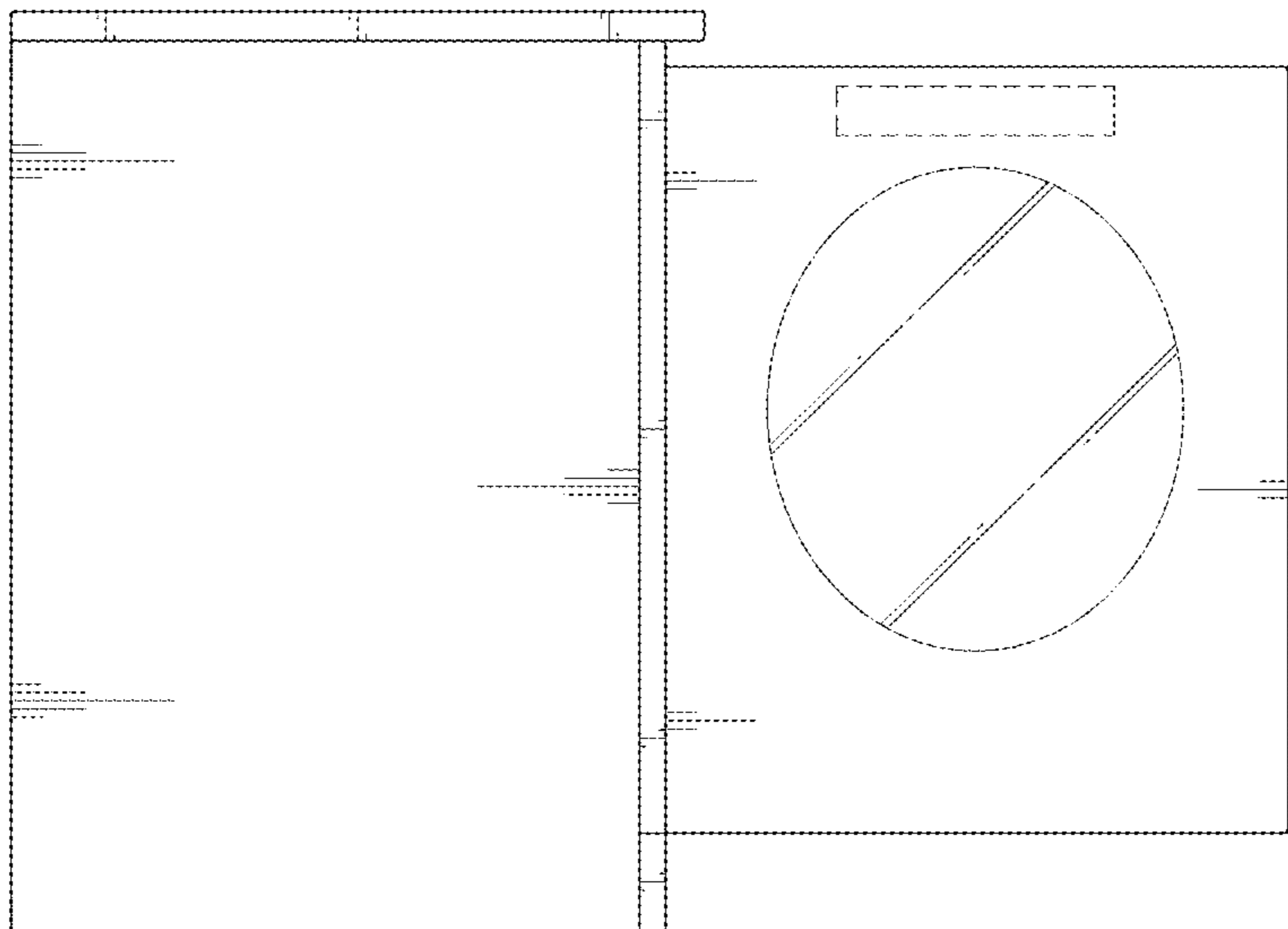
1.10



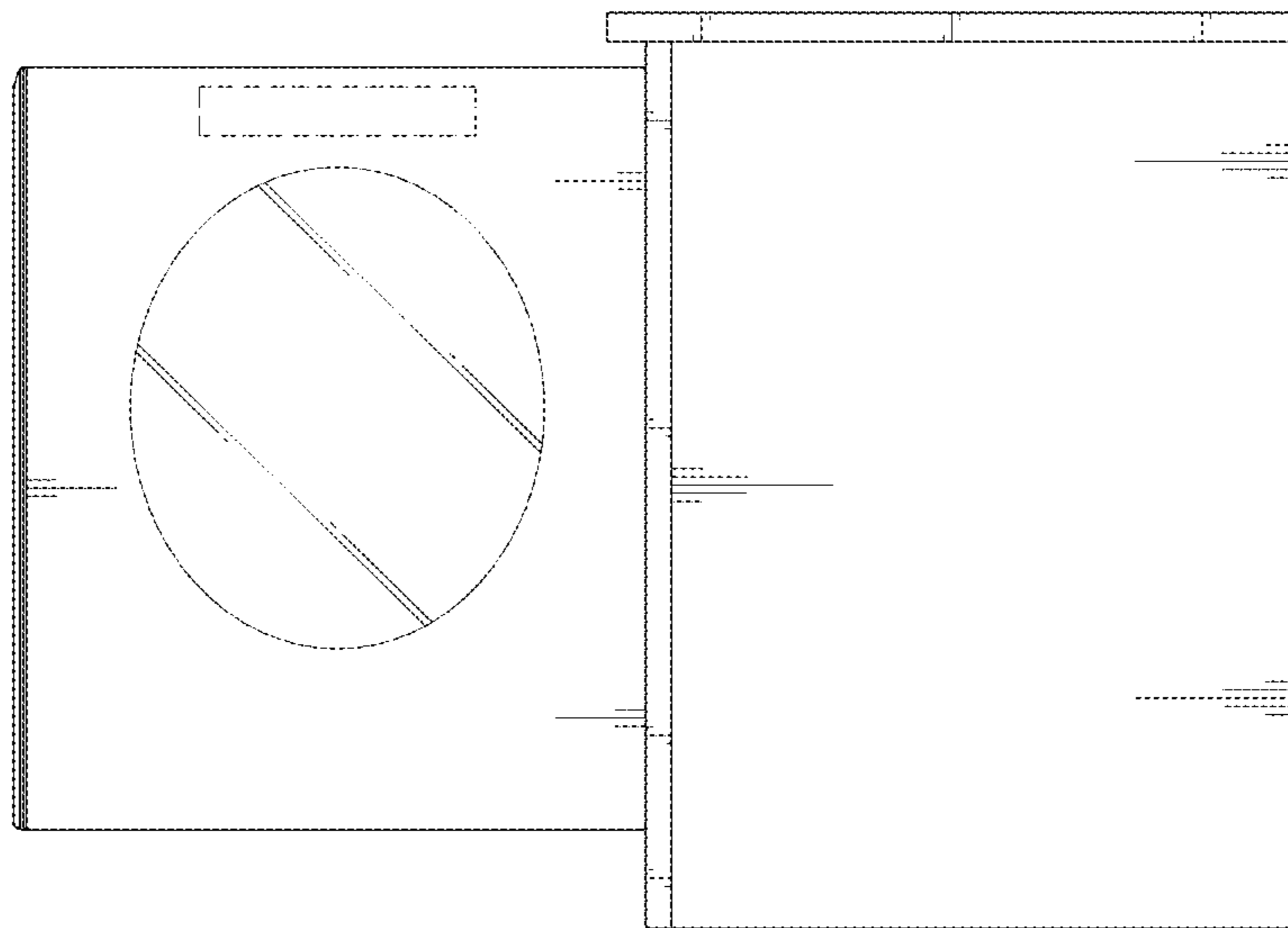
1.11



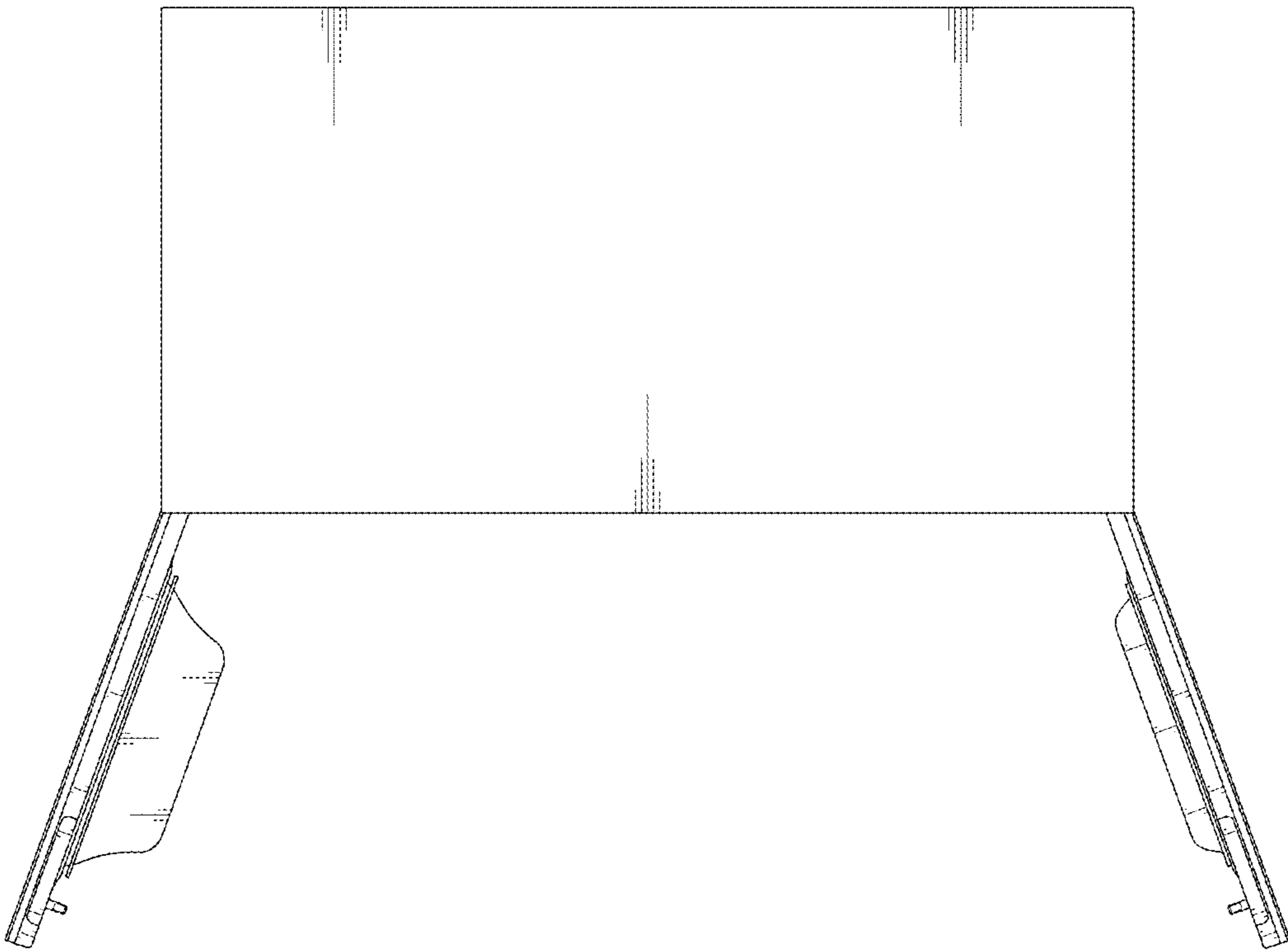
1.12



1.13



1.14



1.15

