



US00D853061S

(12) **United States Design Patent**
Dretzka et al.

(10) **Patent No.:** **US D853,061 S**
(45) **Date of Patent:** **** Jul. 2, 2019**

(54) **DEBRIS BLOWER**

(71) Applicant: **THE TORO COMPANY**,
Bloomington, MN (US)
(72) Inventors: **Philip C. Dretzka**, Woodbury, MN
(US); **Tyler E. Peterson**, Lindstrom,
MN (US); **Jeffrey J. Schwichtenberg**,
Bloomington, MN (US); **Timothy**
Werts, St. Louis Park, NC (US)
(73) Assignee: **THE TORO COMPANY**,
Bloomington, MN (US)

(**) Term: **15 Years**

(21) Appl. No.: **29/635,489**

(22) Filed: **Jan. 31, 2018**

(51) **LOC (11) Cl.** **15-05**

(52) **U.S. Cl.**
USPC **D32/15; D15/12**

(58) **Field of Classification Search**
USPC D15/11, 12; D12/2, 231, 340-343;
D32/15, 16, 17, 18, 21, 25, 1, 5, 12;
D23/383, 370, 213; 15/300.1, 344, 345,
15/405, 414-415.1
CPC A47L 5/14; A47L 9/32; F04B 35/04; F04B
17/00

See application file for complete search history.

(56) **References Cited**

U.S. PATENT DOCUMENTS

D304,510 S	*	11/1989	Baker	D32/15
D358,912 S	*	5/1995	Baker	D32/15
D368,341 S	*	3/1996	Pink	D32/15
D400,322 S	*	10/1998	Webster	D32/15
D416,360 S	*	11/1999	Enkyo	D32/15
D426,354 S	*	6/2000	Ohi	D32/15
D431,697 S	*	10/2000	Hayakawa	D32/15

(Continued)

OTHER PUBLICATIONS

U.S. Appl. No. 29/592,487, filed Jan. 31, 2017, The Toro Co.

(Continued)

Primary Examiner — Mark A Goodwin

(74) *Attorney, Agent, or Firm* — Muetting, Raasch &
Gebhardt, P.A.

(57) **CLAIM**

The ornamental design for a debris blower, as shown and
described.

DESCRIPTION

FIG. 1 is a left front perspective view of a debris blower in
accordance with the claimed design;

FIG. 2 is a bottom right perspective view of the design of
FIG. 1;

FIG. 3 is a right rear perspective view of the design of FIG.
1;

FIG. 4 is a rear elevation view of the design of FIG. 1;

FIG. 5 is a front elevation view of the design of FIG. 1;

FIG. 6 is a left side elevation view of the design of FIG. 1;

FIG. 7 is a right side elevation view of the design of FIG. 1;

FIG. 8 is a top plan view of the design of FIG. 1; and,

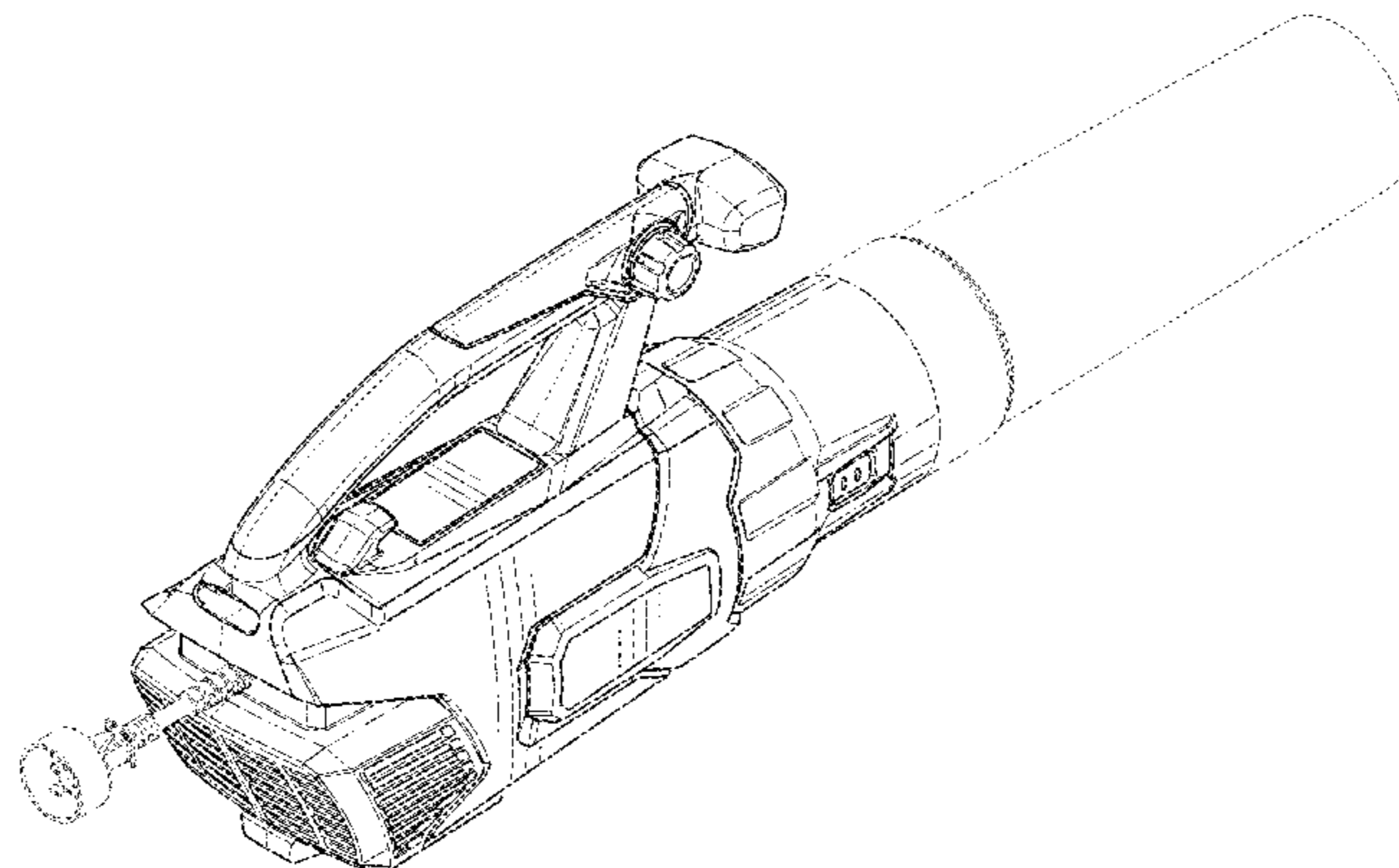
FIG. 9 is a bottom plan view of the design of FIG. 1.

The dash-dash broken lines in the figures (e.g., including
portions depicting unclaimed parts of the debris blower, the
attached power cord, portions adjacent the dot-dash broken
lines, and the longitudinal seam lines) represent environ-
ment and form no part of the claimed design.

The dot-dash broken lines in the figures immediately adja-
cent the solid lines represent a boundary between claimed
and unclaimed subject matter and form no part of the
claimed design.

The labels used herein to describe orientation (e.g., top,
bottom, left, right) are merely for reference and are not
intended to limit the interpretation of the design.

1 Claim, 9 Drawing Sheets



(56)

References Cited

U.S. PATENT DOCUMENTS

D461,604 S 8/2002 Martin et al.
 D473,024 S * 4/2003 Griffin D32/15
 D498,885 S * 11/2004 Robson D32/15
 6,834,413 B2 * 12/2004 Sanders A47L 5/14
 15/405
 D526,750 S * 8/2006 Ito D32/15
 D556,395 S * 11/2007 Martin D32/15
 D558,939 S * 1/2008 Yuasa D32/15
 D584,460 S * 1/2009 Sweeney D32/15
 D584,461 S * 1/2009 Sweeney D32/15
 D605,819 S * 12/2009 Tinius D32/15
 D615,716 S * 5/2010 Tinius D32/15
 7,735,188 B2 * 6/2010 Shaffer E01H 1/0809
 15/405
 D637,774 S * 5/2011 Li D32/15
 D640,846 S * 6/2011 Tinius D32/15
 D711,056 S * 8/2014 Crawley D15/12
 D711,057 S * 8/2014 Crawley D15/12
 D719,307 S * 12/2014 Carl D15/12
 D729,999 S * 5/2015 Aoi D15/12
 D735,960 S * 8/2015 Zhang D32/15
 D741,917 S * 10/2015 Tinius D15/15
 D742,603 S * 11/2015 Tschopp D15/12
 D746,004 S * 12/2015 Murray D15/12
 D747,050 S 1/2016 Martin et al.
 D748,876 S * 2/2016 Carl D15/12
 D748,877 S * 2/2016 Tirone D15/12
 D812,825 S * 3/2018 Smith D32/15
 D834,270 S * 11/2018 Naslund D32/15
 D834,271 S * 11/2018 Naslund D32/15
 2008/0127448 A1 * 6/2008 Kremser A47L 5/14
 15/330

2008/0152487 A1 * 6/2008 Shaffer F04D 25/084
 415/208.1
 2012/0138717 A1 * 6/2012 Svoboda E01H 1/0809
 241/56
 2013/0239357 A1 * 9/2013 Hoffman B65H 75/42
 15/323

OTHER PUBLICATIONS

U.S. Appl. No. 29/601,668, filed Apr. 25, 2017, The Toro Co.
 U.S. Appl. No. 29/601,674, filed Apr. 25, 2017, The Toro Co.
 U.S. Appl. No. 29/601,676, filed Apr. 25, 2017, The Toro Co.
 U.S. Appl. No. 29/601,679, filed Apr. 25, 2017, The Toro Co.
 GreenworksPro “60V Brushless Axial Blower BL60L00.” Owner’s
 Manual. Greenworks Tools, 2016; 20 pages.
 Greenworks “40V Lithium-ion Axial Blower 2400802.” Owner’s
 Manual. Greenworks Tools, 2015; 23 pages.
 Milwaukee “Operator’s Manual, M18 Blower.” Cat. No. 2728-20,
 Milwaukee Tool, 2016; 16 pages.
 Ryobi “Operator’s Manual, 40 Volt Blower, RY40402.” Techtronic
 Industries North America, Inc., 2014; 30 pages.
 Toro “Rake and Vac™ and Super Blower/Vacuum; Model No.
 51617—Serial No. 314000001 and Up; Model No. 51618—Serial
 No. 314000001 and Up” Operator’s Manual. Form No. 3378-473
 Rev A, The Toro Company, Copyright 2013; 8 pages.
 Toro “Hand-Held Sweeper Blower; Model No. 51701—Serial No.
 313000001 and Up; Model No. 51701T—Serial No. 313000001 and
 Up; Model No. 51702—Serial No. 313000001 and Up; Model No.
 51702T—Serial No. 313000001 and Up” Operator’s Manual. Form
 No. 3378-748 Rev A, The Toro Company, Copyright 2013; 8 pages.
 Worx “40V Max Lithium Cordless Blower WG580.” Operator’s
 Manual. Positec, Copyright 2016; 24 pages.

* cited by examiner

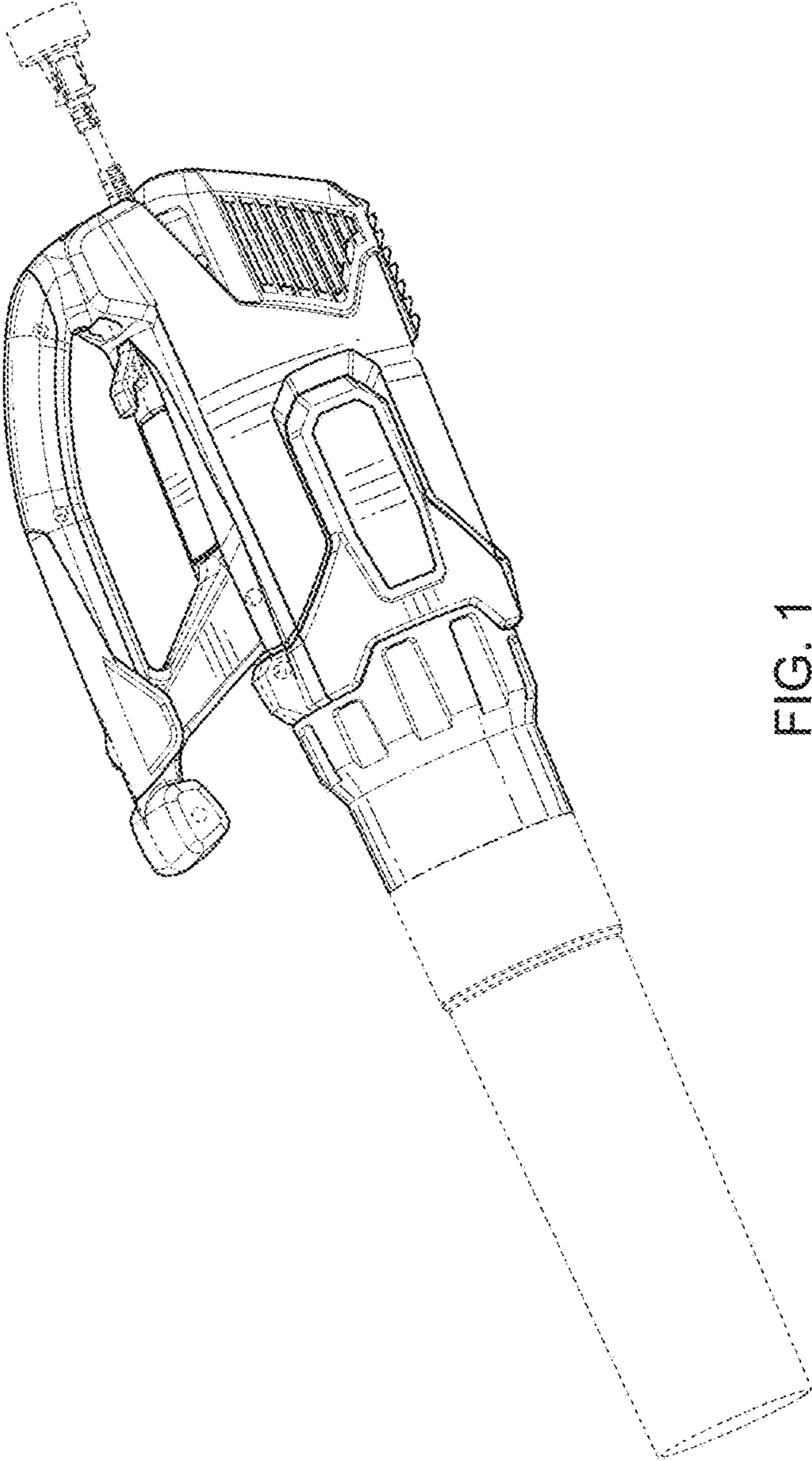


FIG. 1

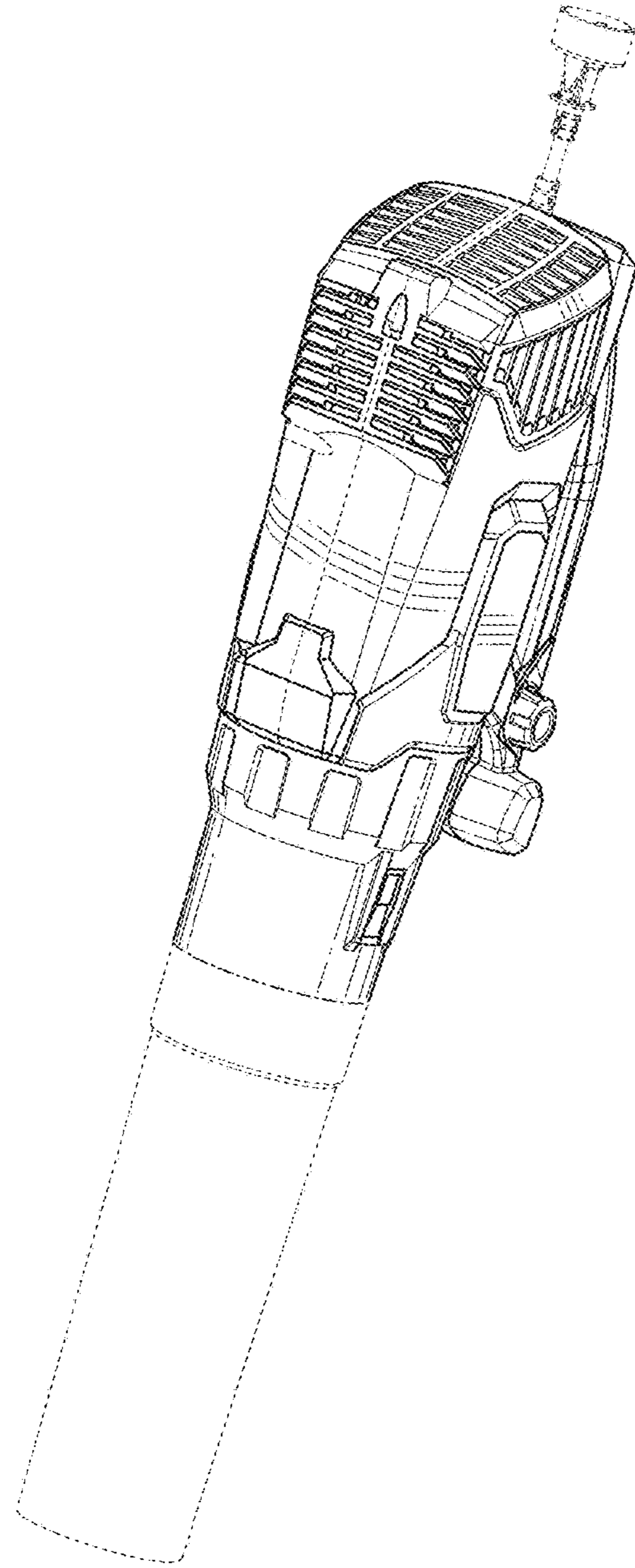


FIG. 2

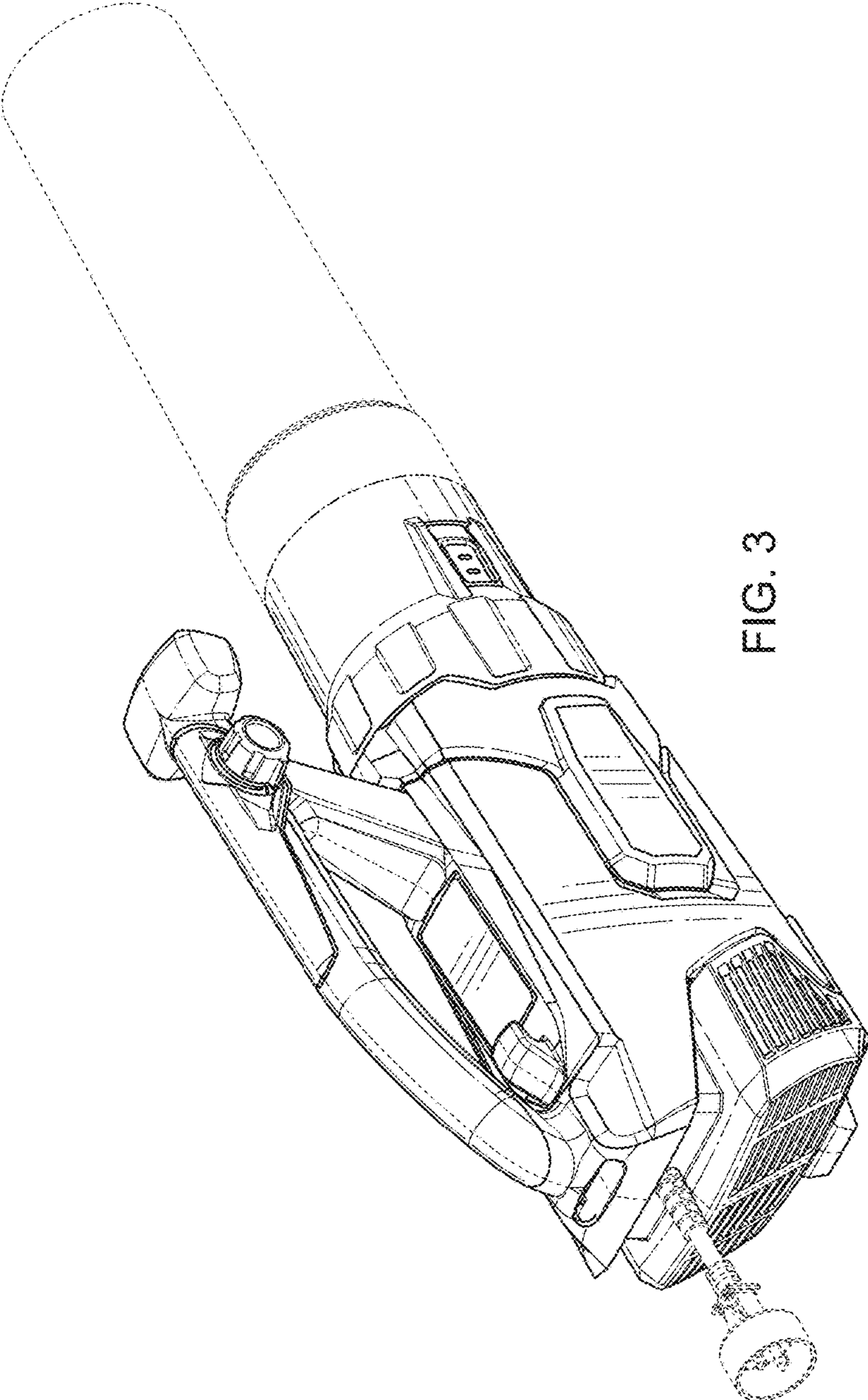


FIG. 3

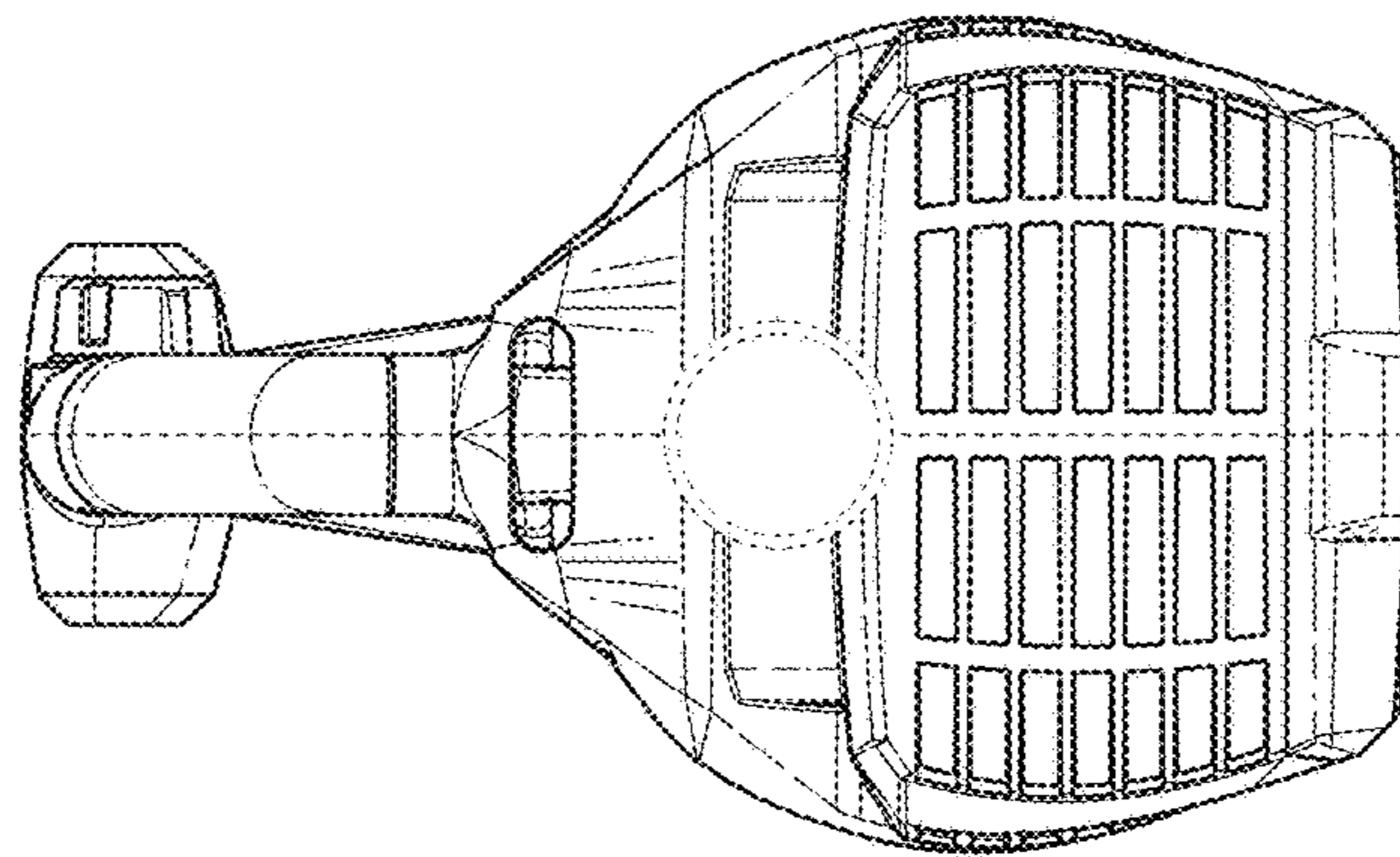


FIG. 4

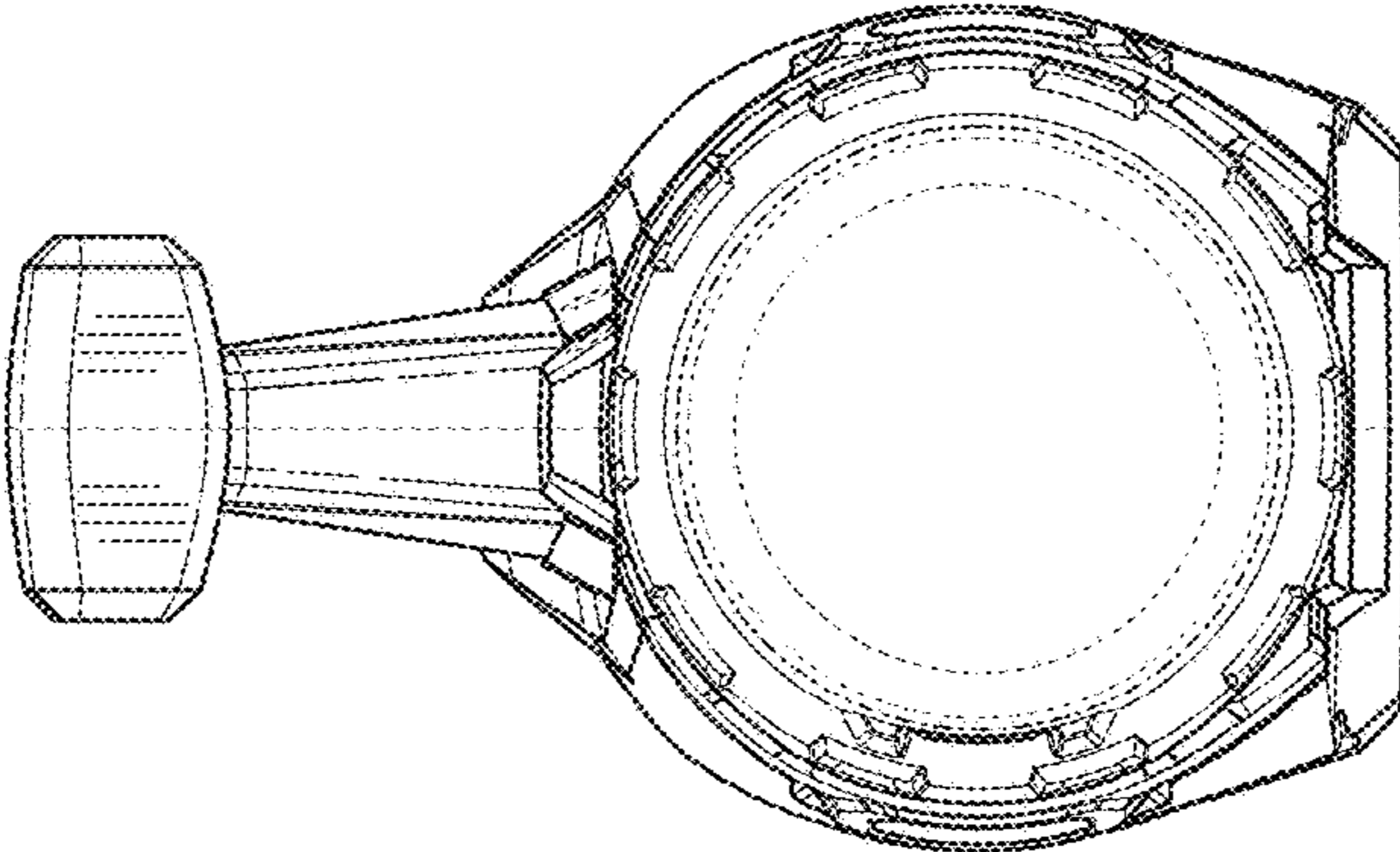


FIG. 5

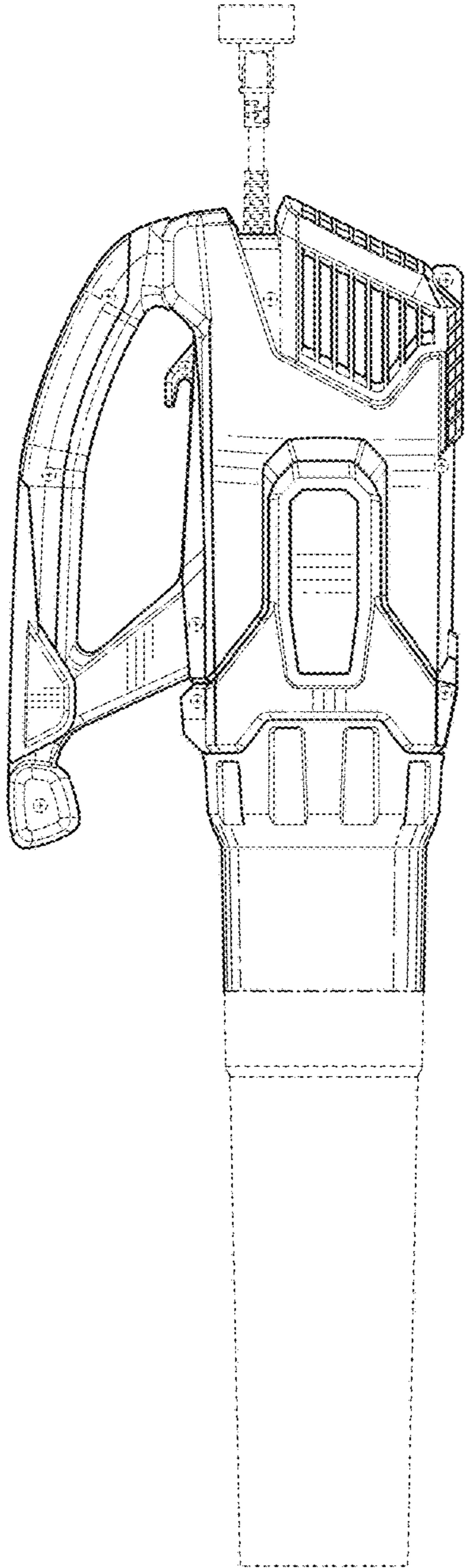


FIG. 6

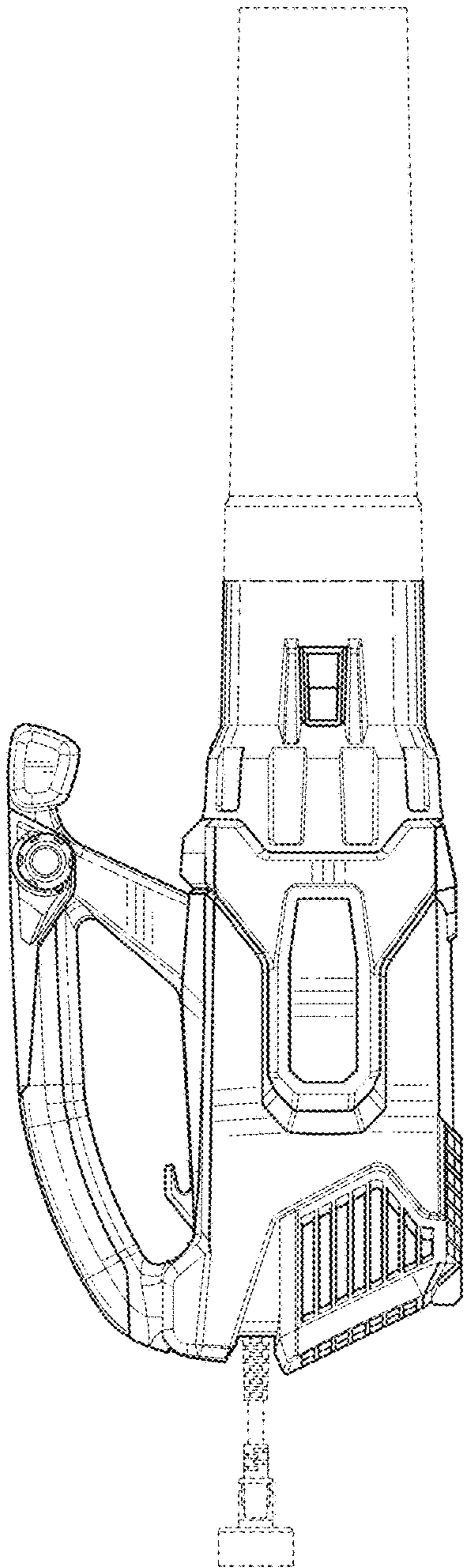


FIG. 7

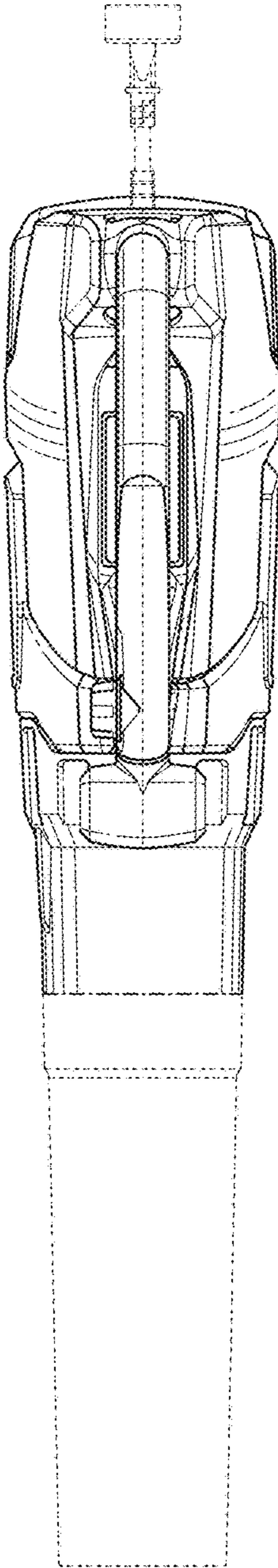


FIG. 8

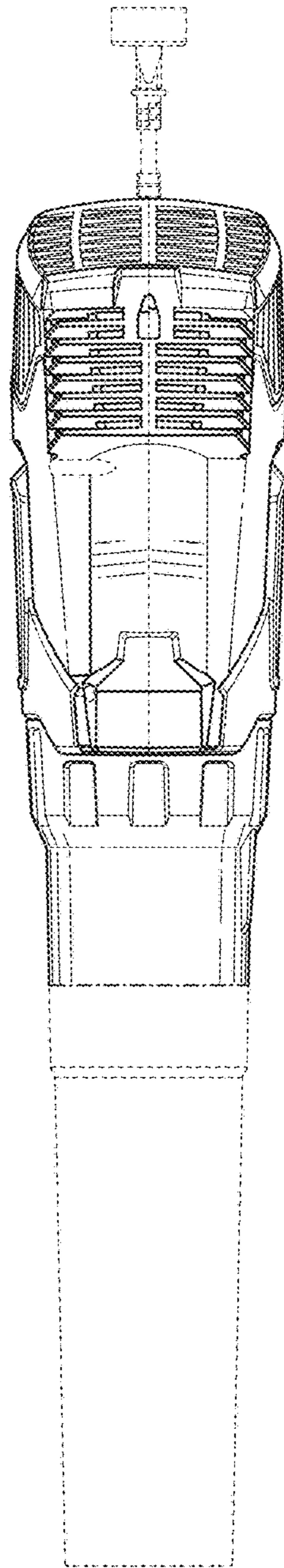


FIG. 9

UNITED STATES PATENT AND TRADEMARK OFFICE
CERTIFICATE OF CORRECTION

PATENT NO. : D853,061 S
APPLICATION NO. : 29/635489
DATED : July 2, 2019
INVENTOR(S) : Philip C. Dretzka et al.

Page 1 of 1

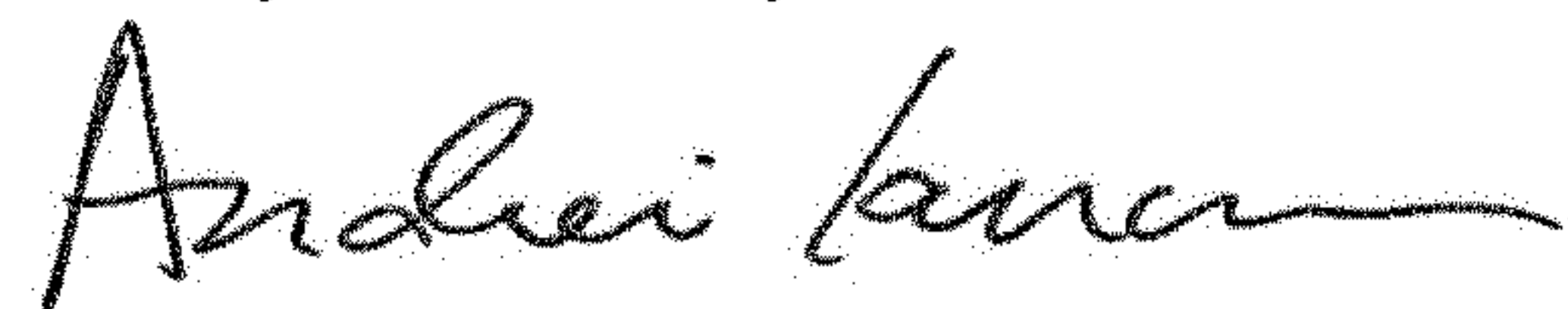
It is certified that error appears in the above-identified patent and that said Letters Patent is hereby corrected as shown below:

On the Title Page

(72) Inventors:

“St. Louis Park, NC” should read --St. Louis Park, MN--

Signed and Sealed this
Twenty-ninth Day of October, 2019



Andrei Iancu
Director of the United States Patent and Trademark Office