



US00D853060S

(12) **United States Design Patent**  
**Tschopp**

(10) **Patent No.:** **US D853,060 S**  
(45) **Date of Patent:** **\*\* Jul. 2, 2019**

(54) **TOILET PLUNGER**

(71) Applicant: **Black & Decker Inc.**, New Britain, CT (US)

(72) Inventor: **Tylan A. Tschopp**, Baltimore, MD (US)

(73) Assignee: **BLACK & DECKER INC.**, New Britain, CT (US)

(\*\*) Term: **15 Years**

(21) Appl. No.: **29/625,903**

(22) Filed: **Nov. 14, 2017**

(51) **LOC (11) Cl.** ..... **15-05**

(52) **U.S. Cl.**  
USPC ..... **D32/14**

(58) **Field of Classification Search**  
USPC ..... D32/1, 14, 25, 34, 35; D23/223, 224;  
D28/7; D6/524; 4/255.05, 255.01,  
4/255.12, 255.09, 255.11; 15/406  
CPC .. E03D 9/00; E03C 1/30; E03C 1/308; A47K  
11/10  
See application file for complete search history.

(56) **References Cited**

**U.S. PATENT DOCUMENTS**

D495,841 S *	9/2004	Smith	.....	D32/35
D535,073 S *	1/2007	Leaphart	.....	D32/35
D680,779 S *	4/2013	Tronconi	.....	D6/524
D684,325 S *	6/2013	Newman	.....	D32/14
D810,367 S *	2/2018	Hickerson	.....	D32/14
2005/0172385 A1 *	8/2005	Jiang	.....	E03C 1/308 4/255.05

**OTHER PUBLICATIONS**

Toilet Plunger posted by Mr Clean posted review date Jul. 8, 2016, © Amazon, [online], [site visited Oct. 25, 2018]. Available from Internet, <https://www.amazon.com/Mr-Clean-440436-Turbo-Plunger/> (Year: 2016).\*

Plunger posted by Clorox posted date unknown © Target, [online], [site visited Oct. 25, 2018]. Available from Internet, <https://www.target.com/p/clorox-plunger-toilet-brush-with-carry-caddy/-/A-17099224> (Year: 2018).\*

Plunger posted by OXO posted review date Jul. 31, 2016 © Amazon, [online], [site visited Oct. 25, 2018]. Available from Internet, <https://www.amazon.com/OXO-Hideaway-Toilet-Plunger-Canister/> (Year: 2016).\*

\* cited by examiner

*Primary Examiner* — Cynthia Ramirez

*Assistant Examiner* — Laura H Yu

(74) *Attorney, Agent, or Firm* — Adan Ayala

(57) **CLAIM**

The ornamental design for a toilet plunger, as shown and described.

**DESCRIPTION**

FIG. 1 is a front perspective view of a toilet plunger showing my new design.

FIG. 2 is a front view of the toilet plunger of FIG. 1.

FIG. 3 is a rear view of the toilet plunger of FIG. 1.

FIG. 4 is a left side view of the toilet plunger of FIG. 1.

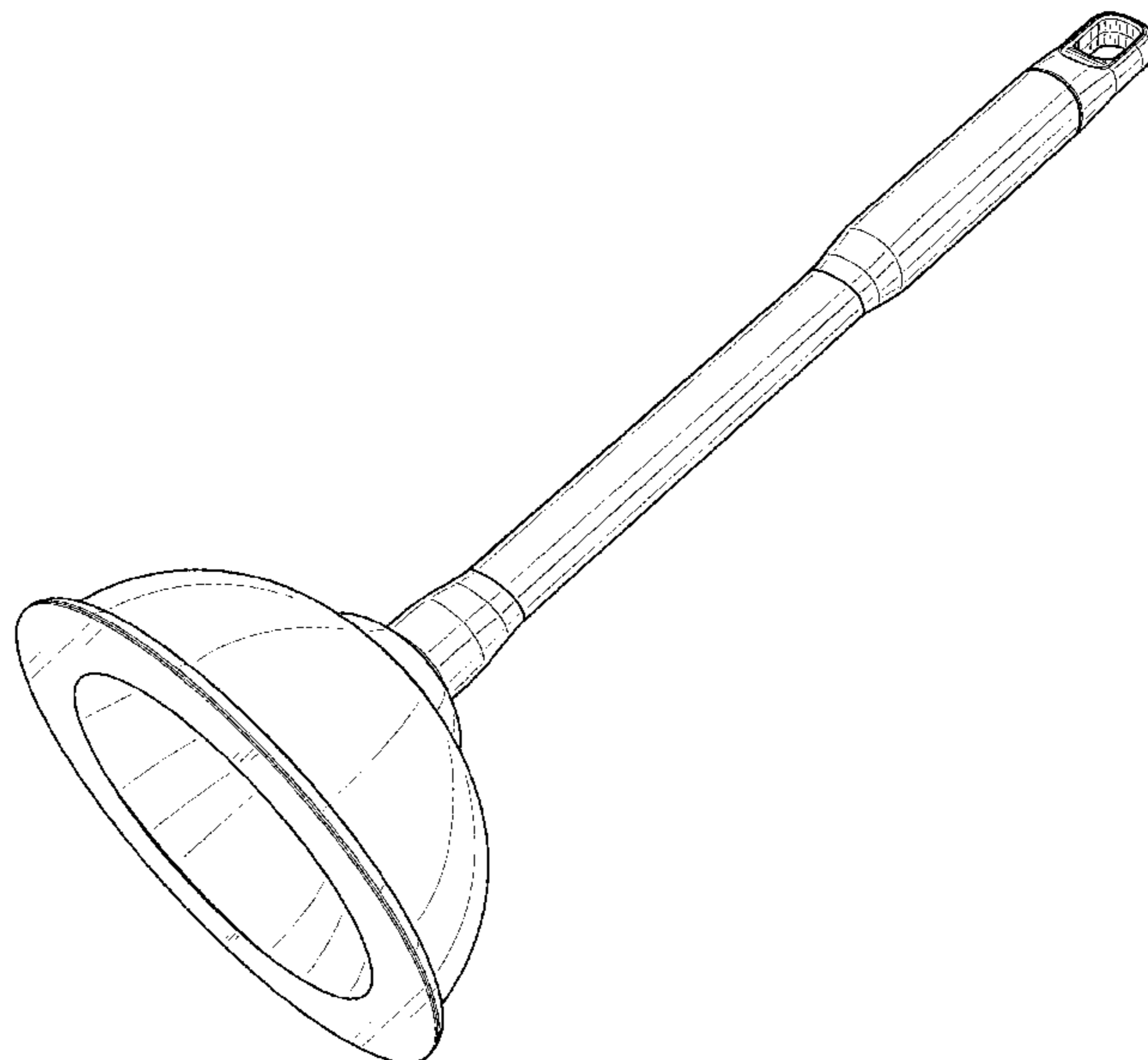
FIG. 5 is a right side view of the toilet plunger of FIG. 1.

FIG. 6 is a top plan view of the toilet plunger of FIG. 1; and,

FIG. 7 is a bottom plan view of the toilet plunger of FIG. 1.

The broken lines of FIG. 7 illustrate portions of the toilet plunger that form no part of the claimed design.

**1 Claim, 7 Drawing Sheets**



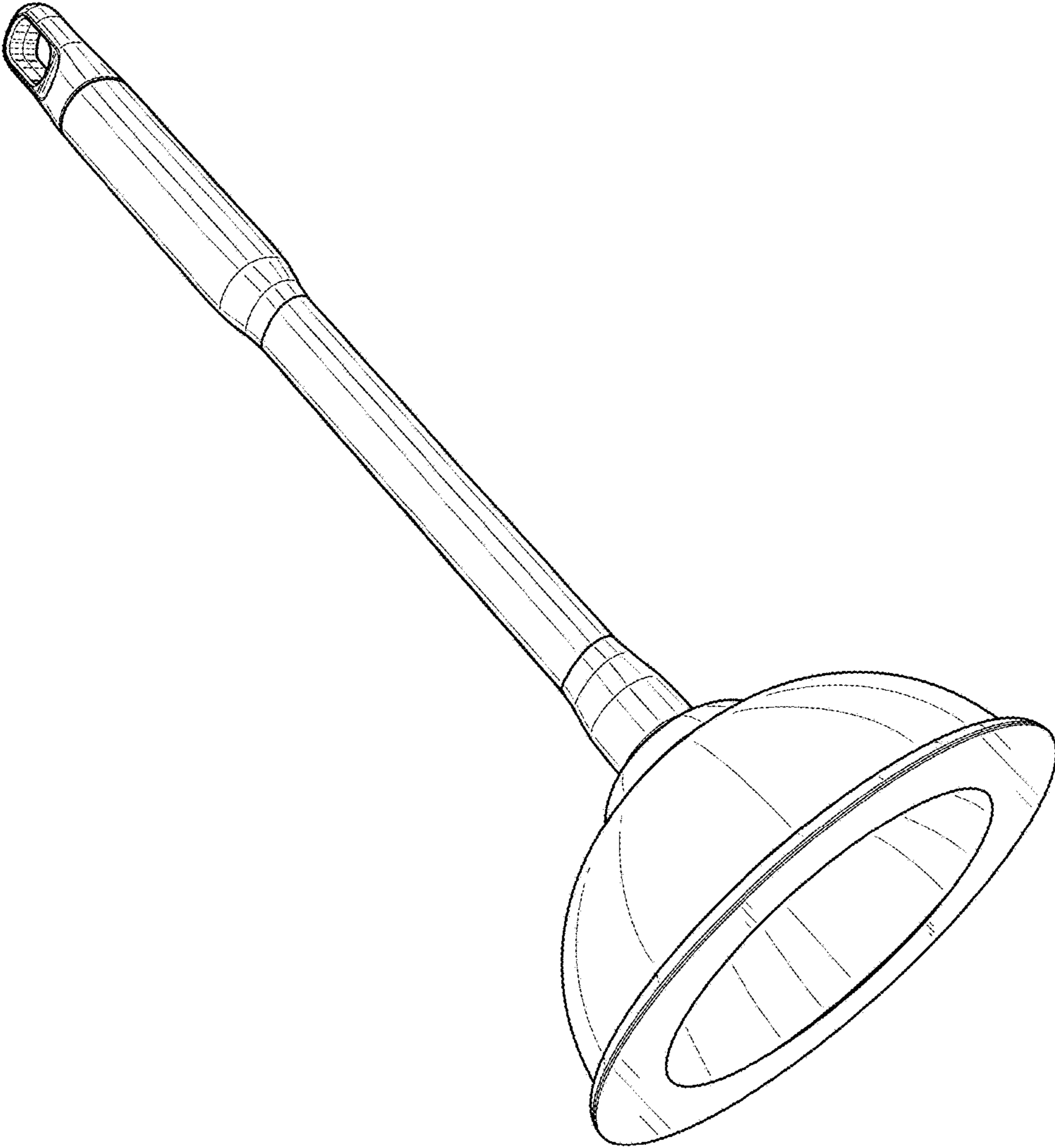


FIG. 1

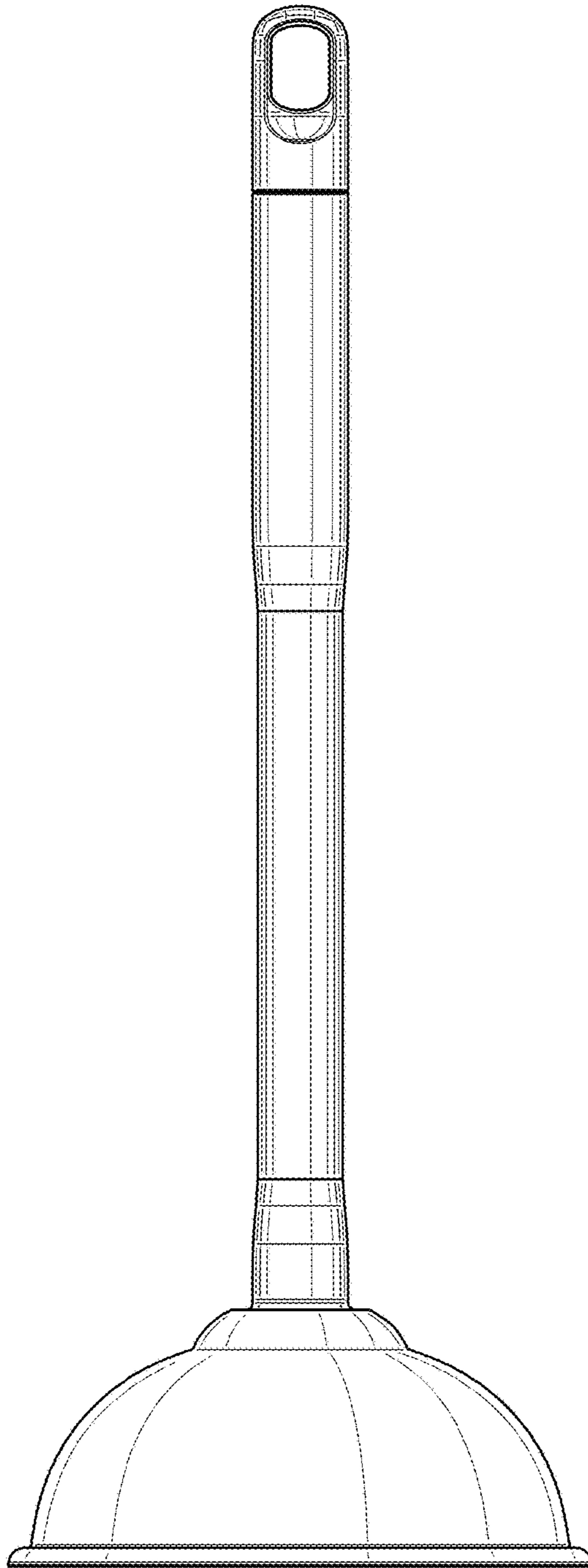


FIG. 2

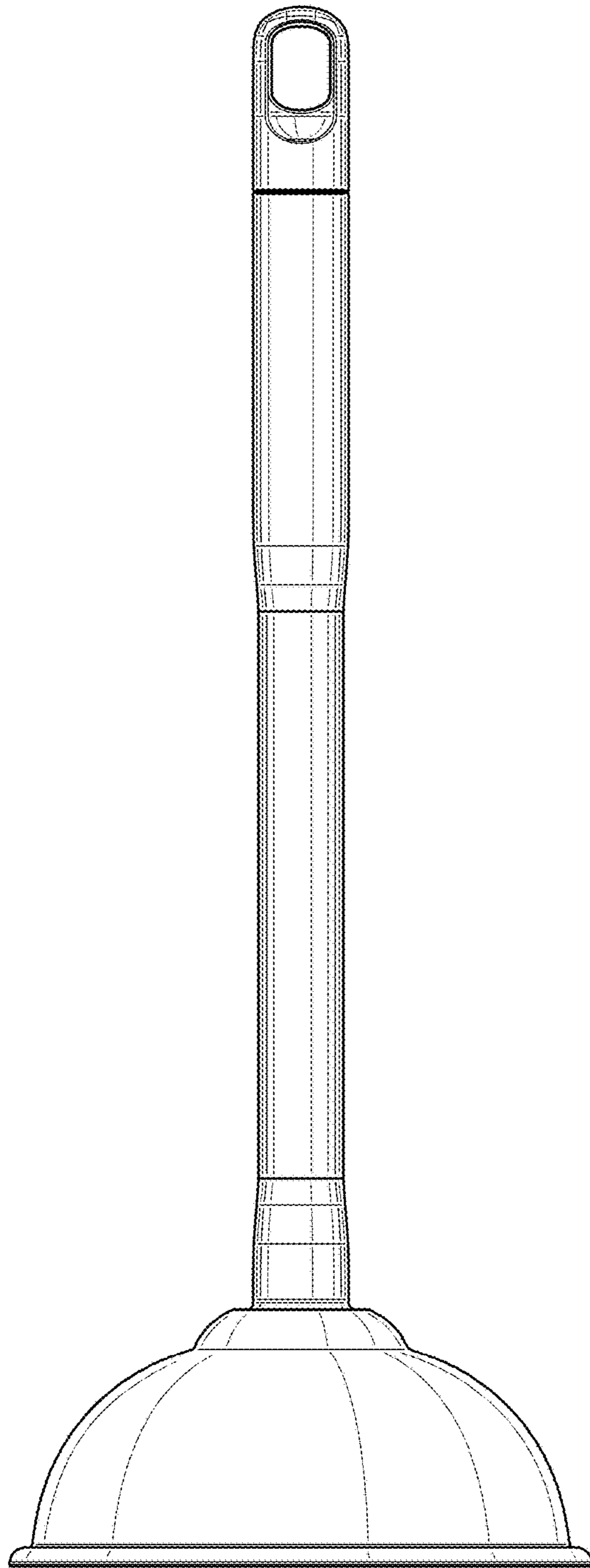


FIG. 3

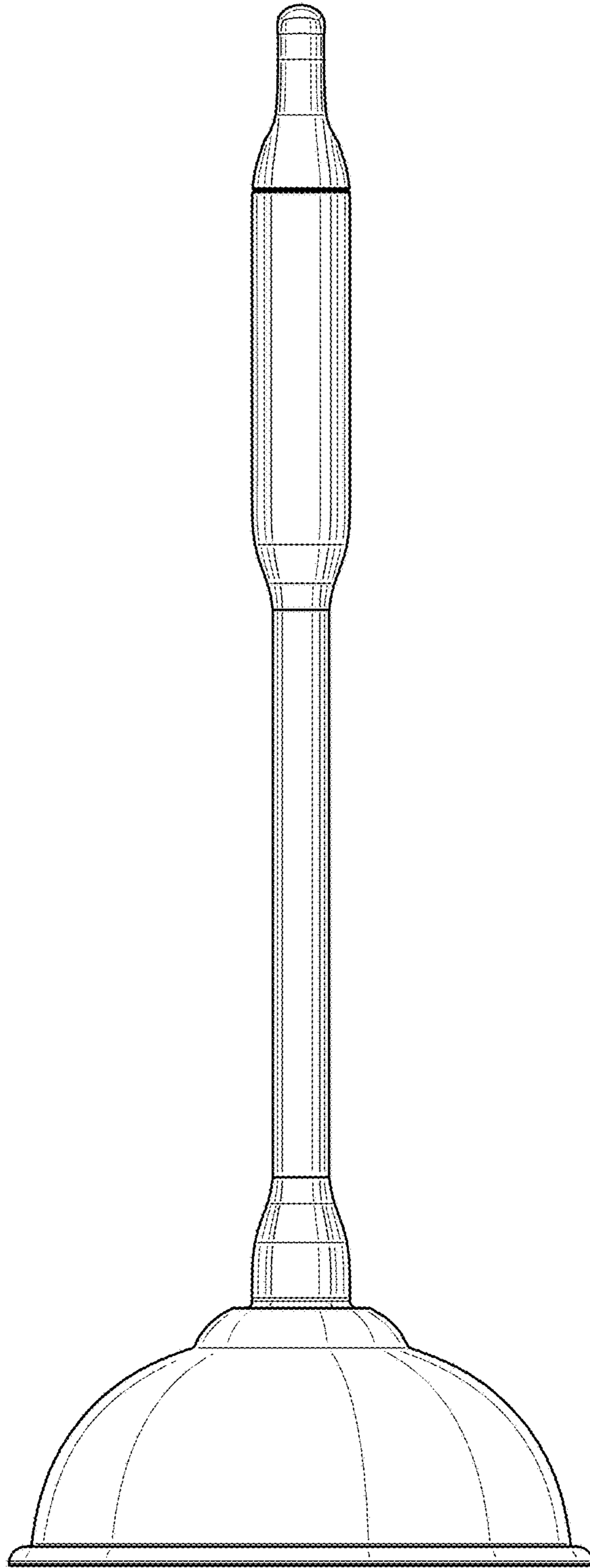


FIG. 4

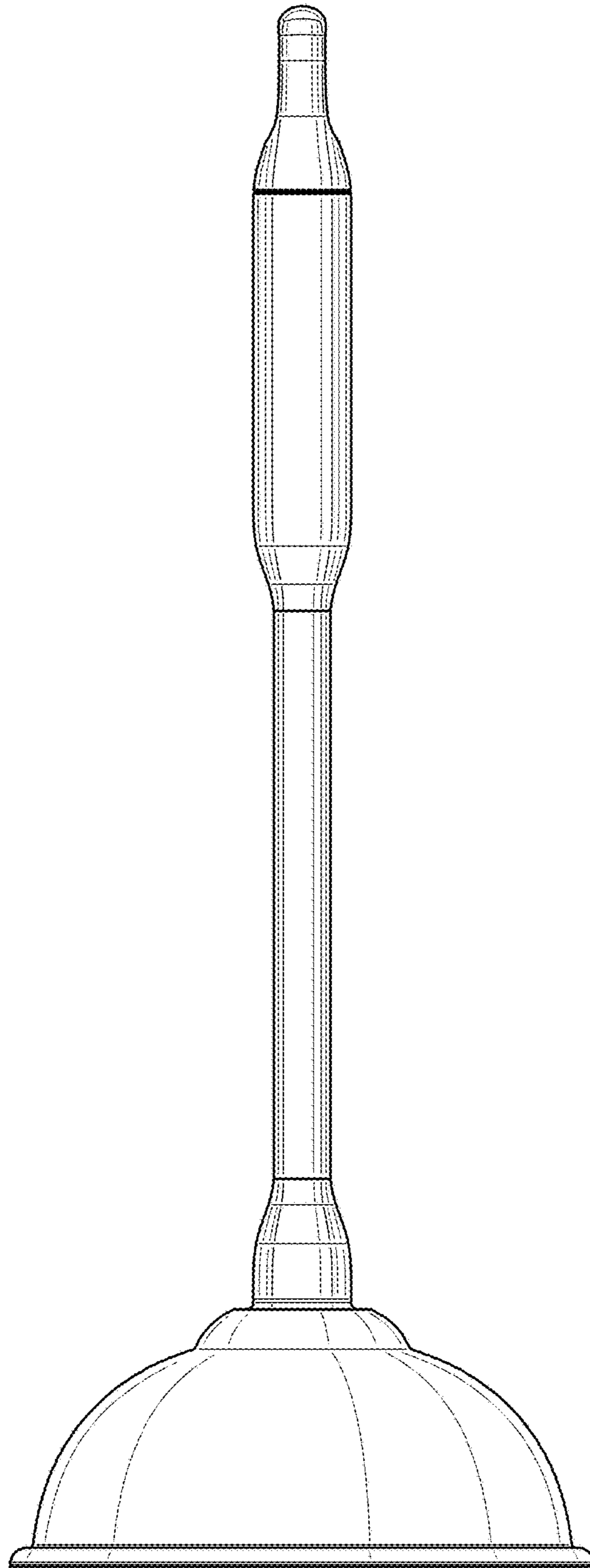


FIG. 5

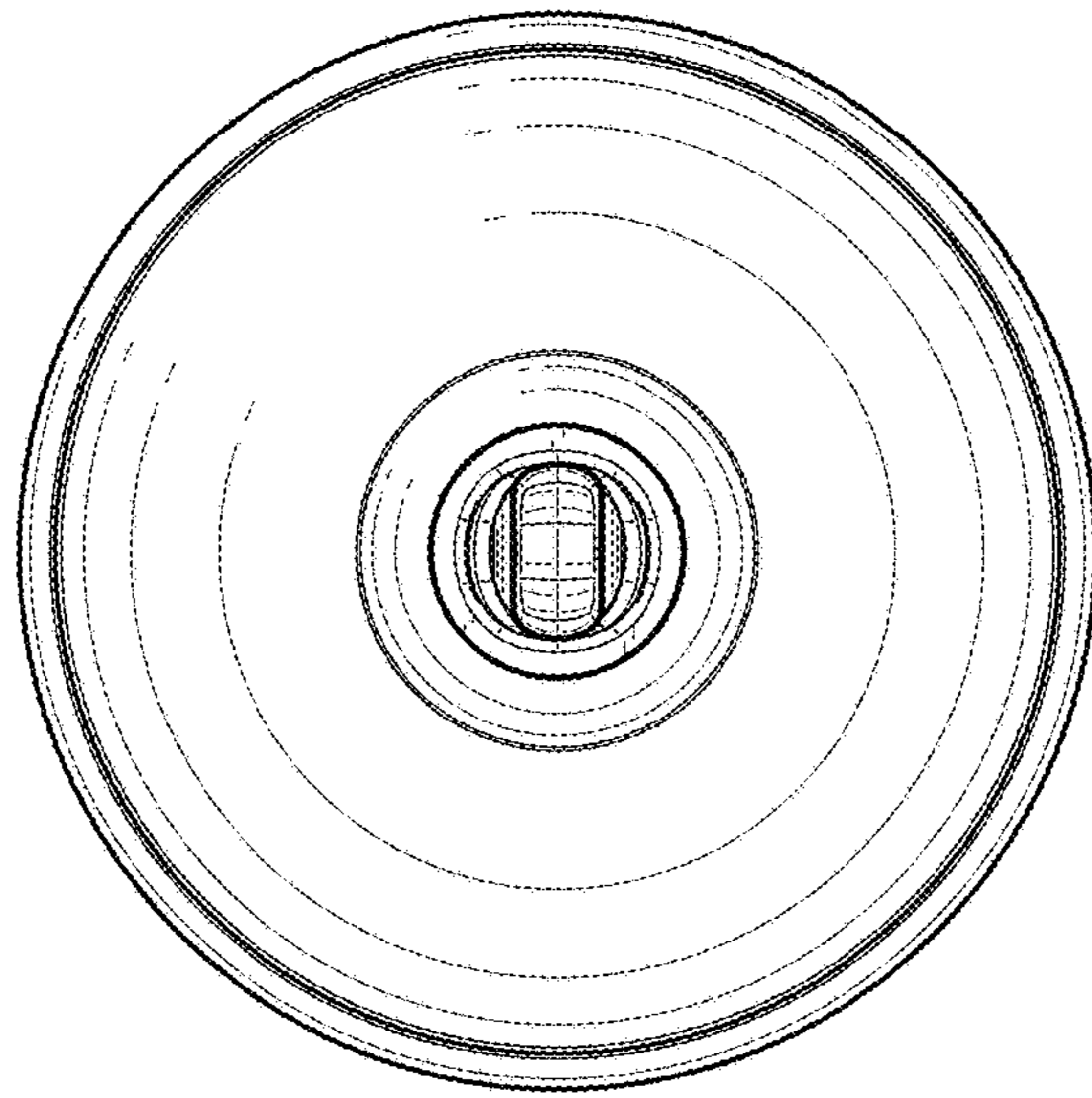


FIG. 6

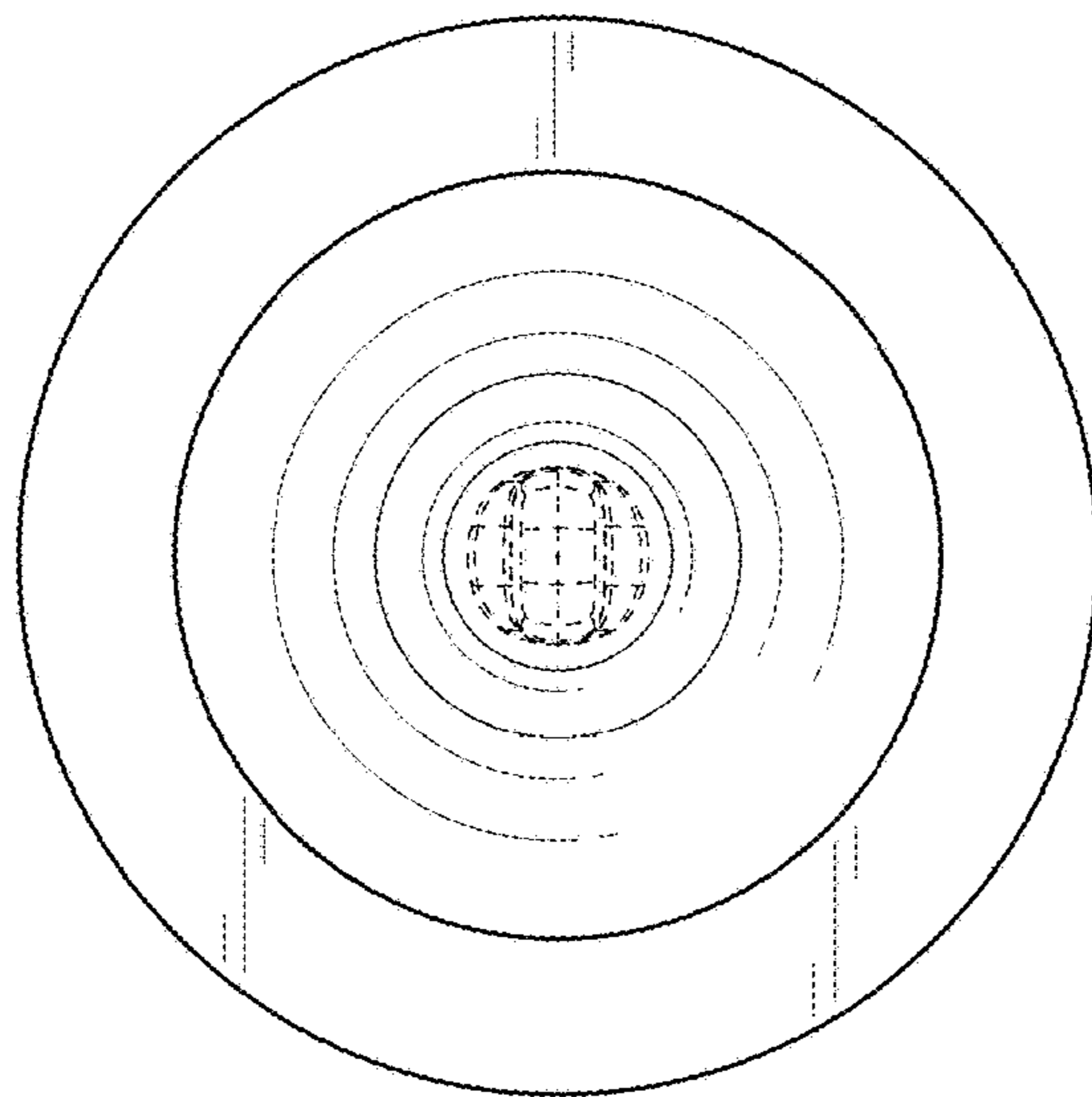


FIG. 7