



US00D853057S

(12) **United States Design Patent**
Itzhak-Sigron et al.

(10) **Patent No.:** **US D853,057 S**
(45) **Date of Patent:** **** Jul. 2, 2019**

- (54) **PLAY HOUSE FOR ANIMALS**
- (71) Applicant: **Keter Plastic Ltd.**, Herzelyia (IL)
- (72) Inventors: **Reut Itzhak-Sigron**, Ein Sarid (IL);
Daniel Rasenberg, Oosterhout (NL)
- (73) Assignee: **KETER PLASTIC LTD.**, Herzelyia (IL)
- (**) Term: **15 Years**
- (21) Appl. No.: **29/657,594**
- (22) Filed: **Jul. 24, 2018**

Related U.S. Application Data

- (62) Division of application No. 29/583,857, filed on Nov. 9, 2016.

(30) **Foreign Application Priority Data**

May 11, 2016 (IL) 58535

- (51) **LOC (11) Cl.** **30-99**

- (52) **U.S. Cl.**
USPC **D30/160**

- (58) **Field of Classification Search**
USPC D30/108, 118, 119, 158, 160-161;
119/19, 29, 482, 622, 702, 708
CPC .. A01K 15/024; A01K 15/025; A01K 15/026;
A01K 15/027
See application file for complete search history.

(56) **References Cited**

U.S. PATENT DOCUMENTS

- D231,786 S * 6/1974 Burnley 119/265
- D231,787 S * 6/1974 Burnley 119/265
- 4,177,761 A * 12/1979 Bellocchi, Jr. A01K 1/035
119/482
- D334,637 S * 4/1993 Mitchell D30/160

- D334,815 S * 4/1993 Bunger D21/501
- D338,571 S * 8/1993 Singer D6/407
- D423,171 S * 4/2000 Alcala D34/19
- D444,177 S * 6/2001 Carretta D19/77
- D473,396 S * 4/2003 Ong D6/407
- D483,200 S * 12/2003 Udommahuntisuk D6/407
- D551,070 S * 9/2007 Wallwork D9/414
- D554,303 S * 10/2007 Linehan D30/160
- D606,714 S * 12/2009 Kellogg D30/160
- D614,820 S * 4/2010 Kellogg D30/160
- D616,044 S * 5/2010 Tervo D21/499
- D629,920 S * 12/2010 Tezak D25/114
- D648,079 S * 11/2011 Haaf D30/160

(Continued)

Primary Examiner — Barbara Fox

Assistant Examiner — Mehri F Bajoul

(74) *Attorney, Agent, or Firm* — Vorys, Sater, Seymour and Pease LLP

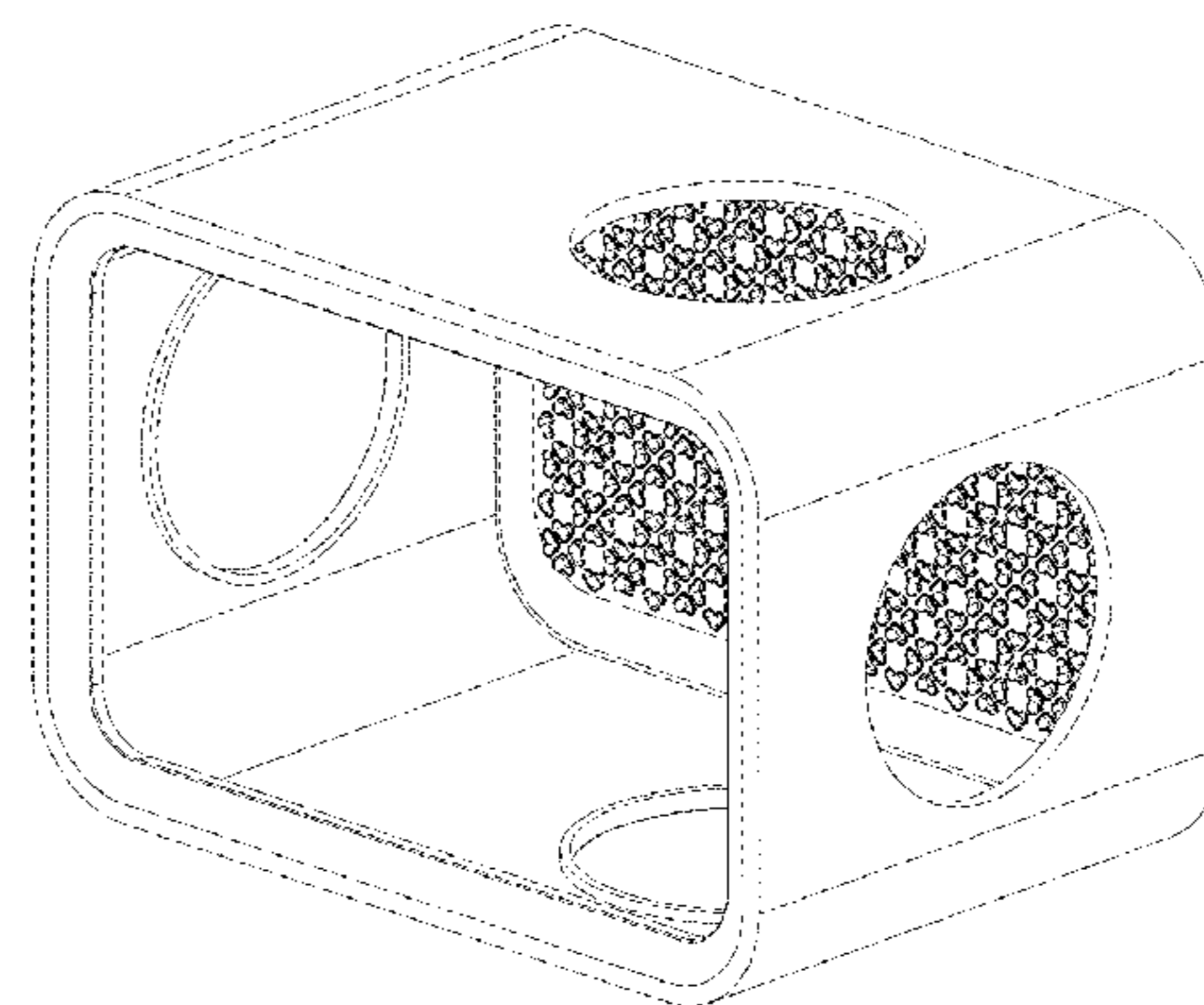
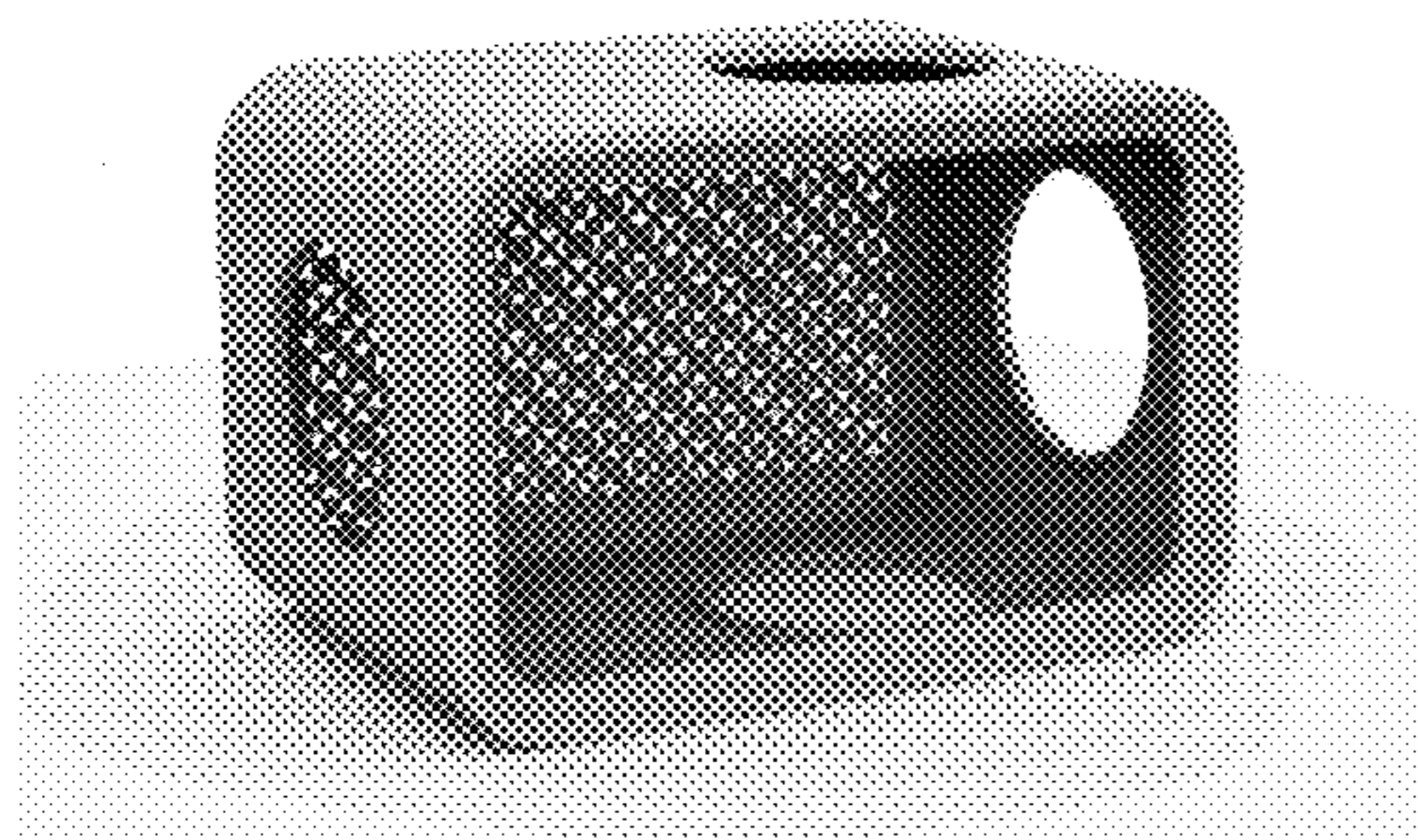
(57) **CLAIM**

The ornamental design for a play house for animals, as shown and described.

DESCRIPTION

FIG. 1 is a front, left perspective view of a play house for animals showing the new design, in a first embodiment; FIG. 2 is a front elevational view thereof; FIG. 3 is a rear elevational view thereof; FIG. 4 is a side elevational view thereof, other side elevational view being identical to FIG. 4; FIG. 5 is a top plan view thereof, bottom plan view being identical to FIG. 5; FIG. 6 is a front, right perspective view of the play house for animals, in a second embodiment; FIG. 7 is a front elevational view thereof; FIG. 8 is a rear elevational view thereof; FIG. 9 is a side elevational view thereof, other side elevational view being identical to FIG. 9; and, FIG. 10 is a top plan view thereof, bottom plan view being identical to FIG. 10.

1 Claim, 10 Drawing Sheets



(56)

References Cited

U.S. PATENT DOCUMENTS

8,113,149	B2 *	2/2012	Quinn	A01K 15/025	
						119/622
D675,513	S *	2/2013	Sawa	D8/397	
D726,971	S *	4/2015	Itzhak-Sigron	D30/118	
D774,707	S *	12/2016	Kellogg	D30/160	
D789,622	S *	6/2017	Kellogg	D30/160	
D792,758	S *	7/2017	Olayiwola	D9/418	
D802,850	S *	11/2017	Spaile	D30/119	
2012/0234252	A1 *	9/2012	Donta	A01K 1/0125	
						119/168

* cited by examiner

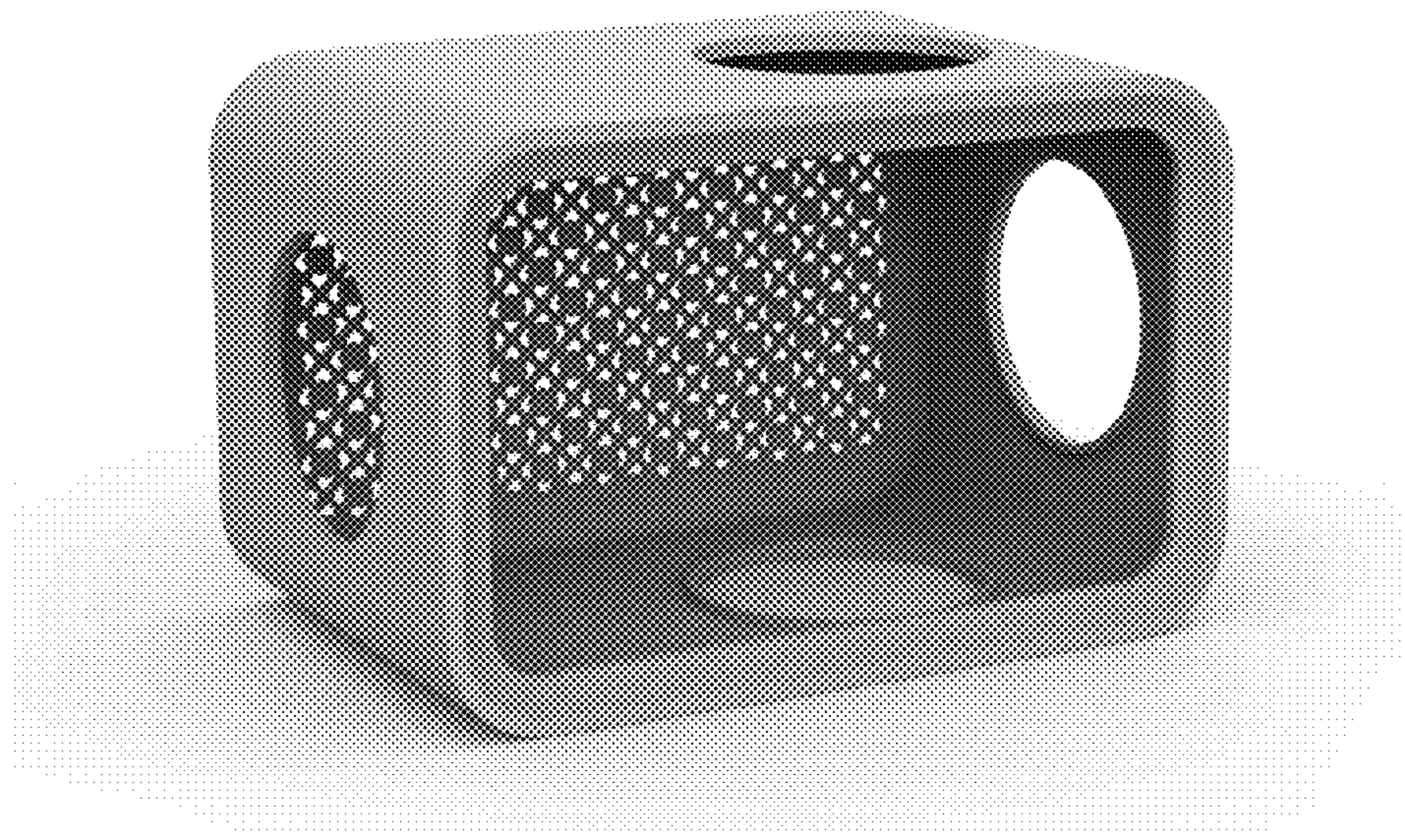


FIG. 1

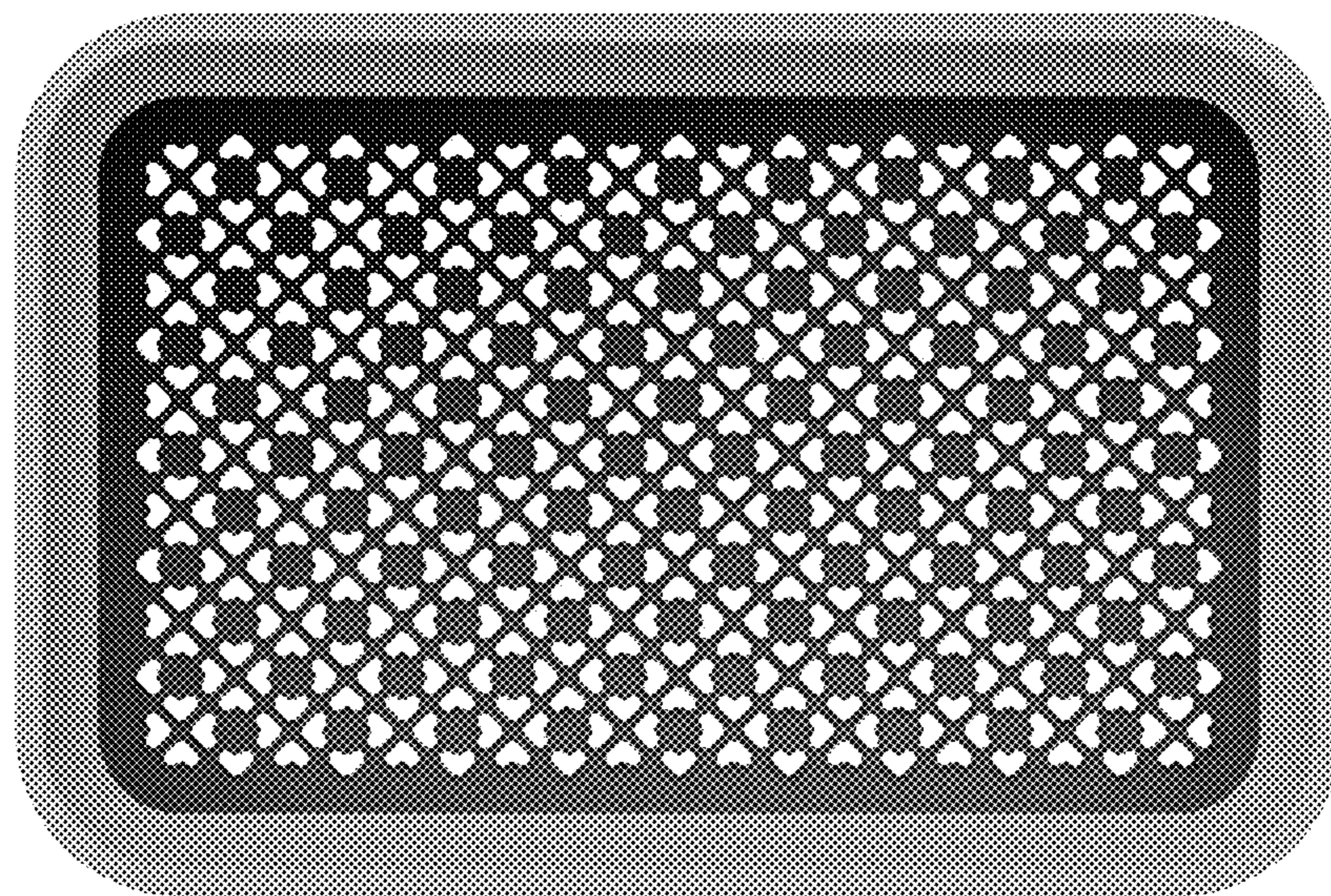


FIG. 2

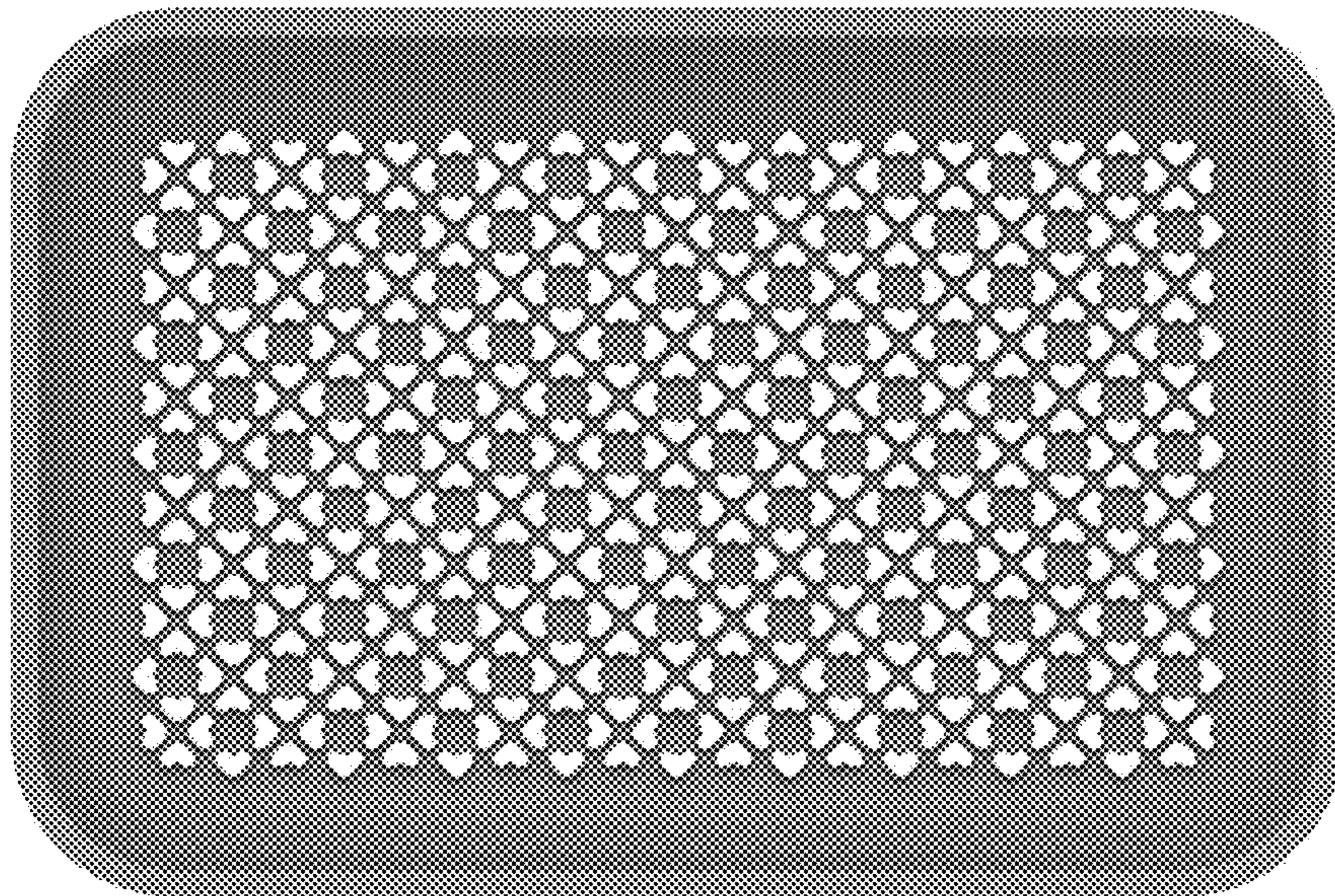


FIG. 3

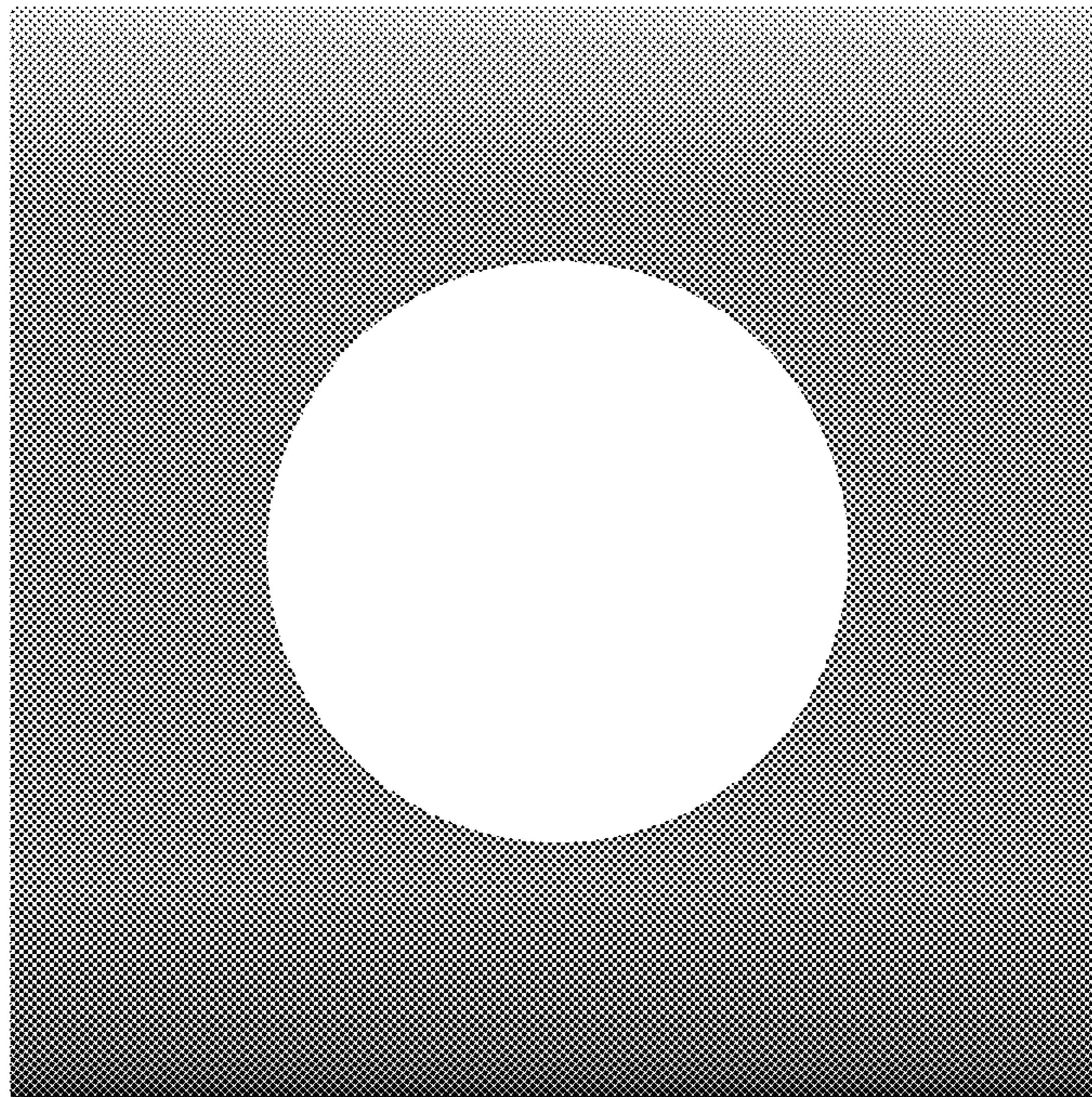


FIG. 4

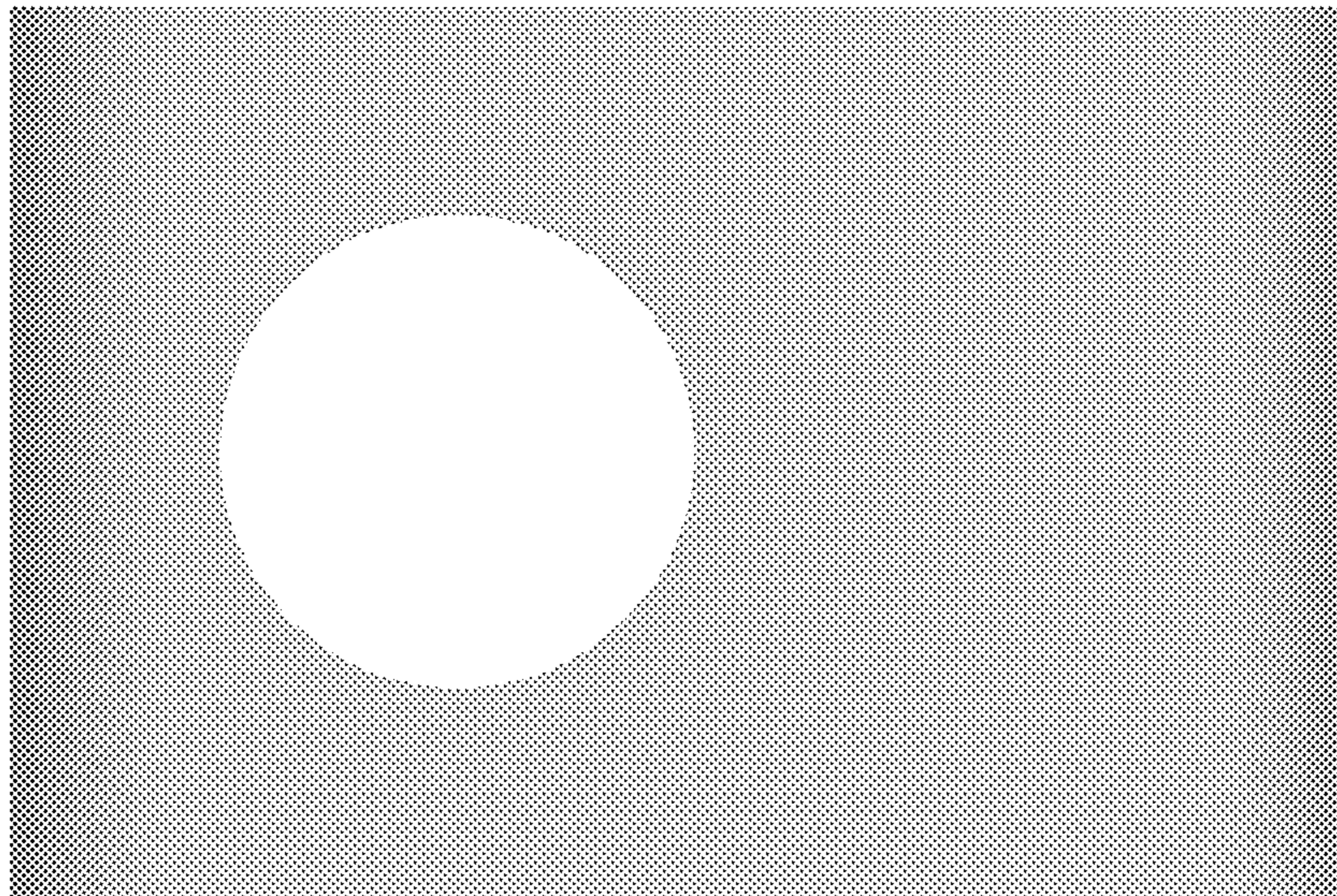


FIG. 5

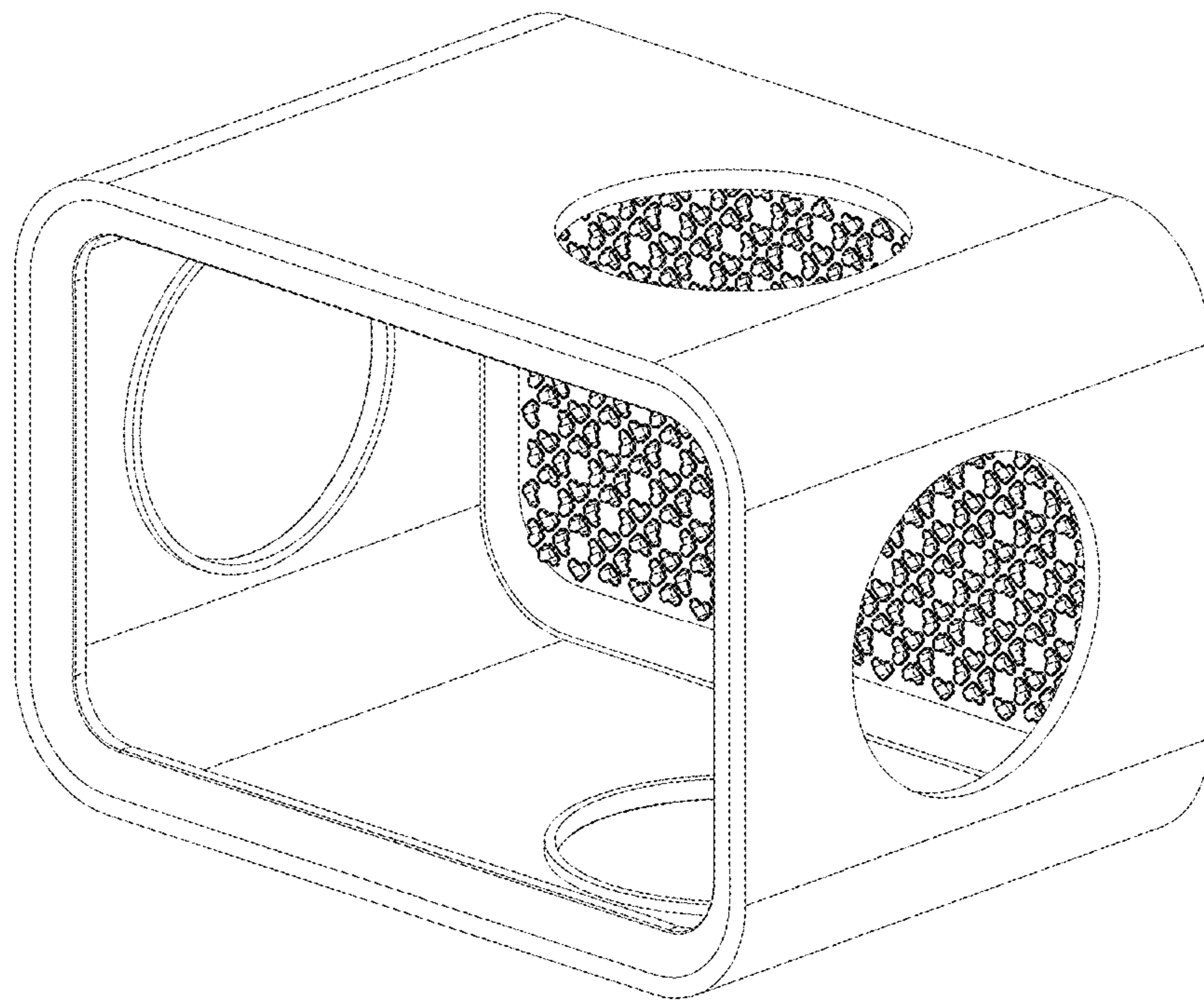


FIG. 6

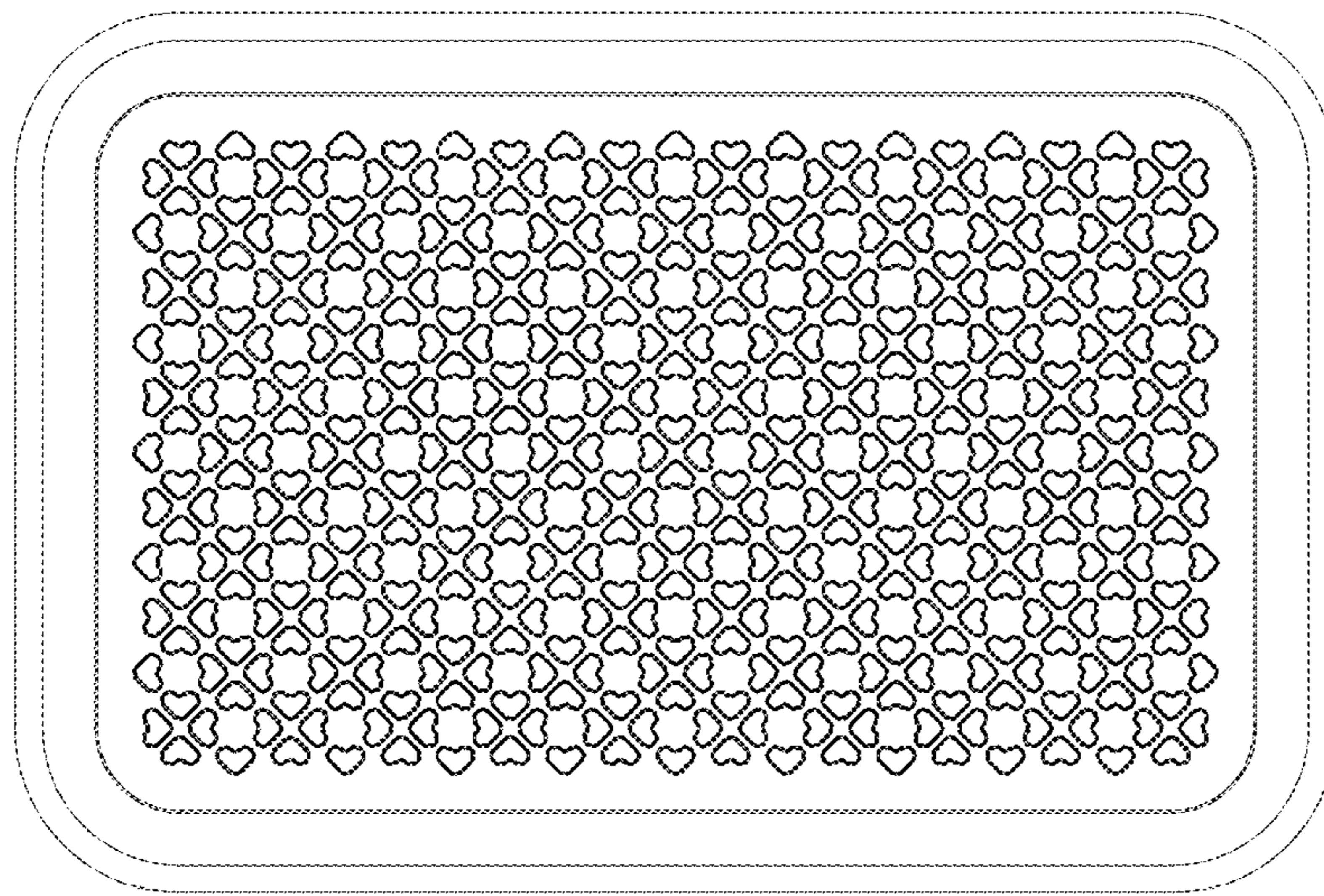


FIG. 7

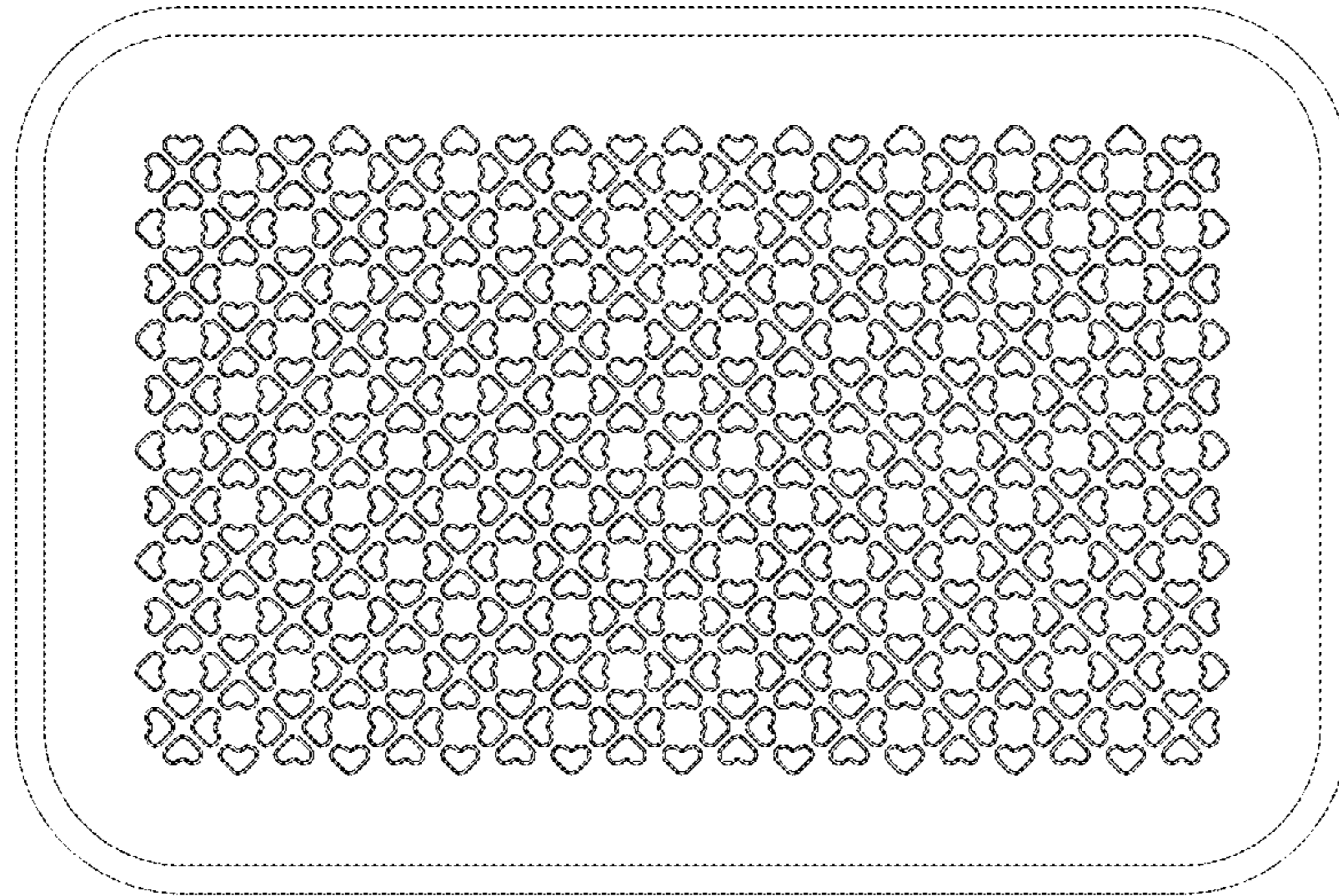


FIG. 8

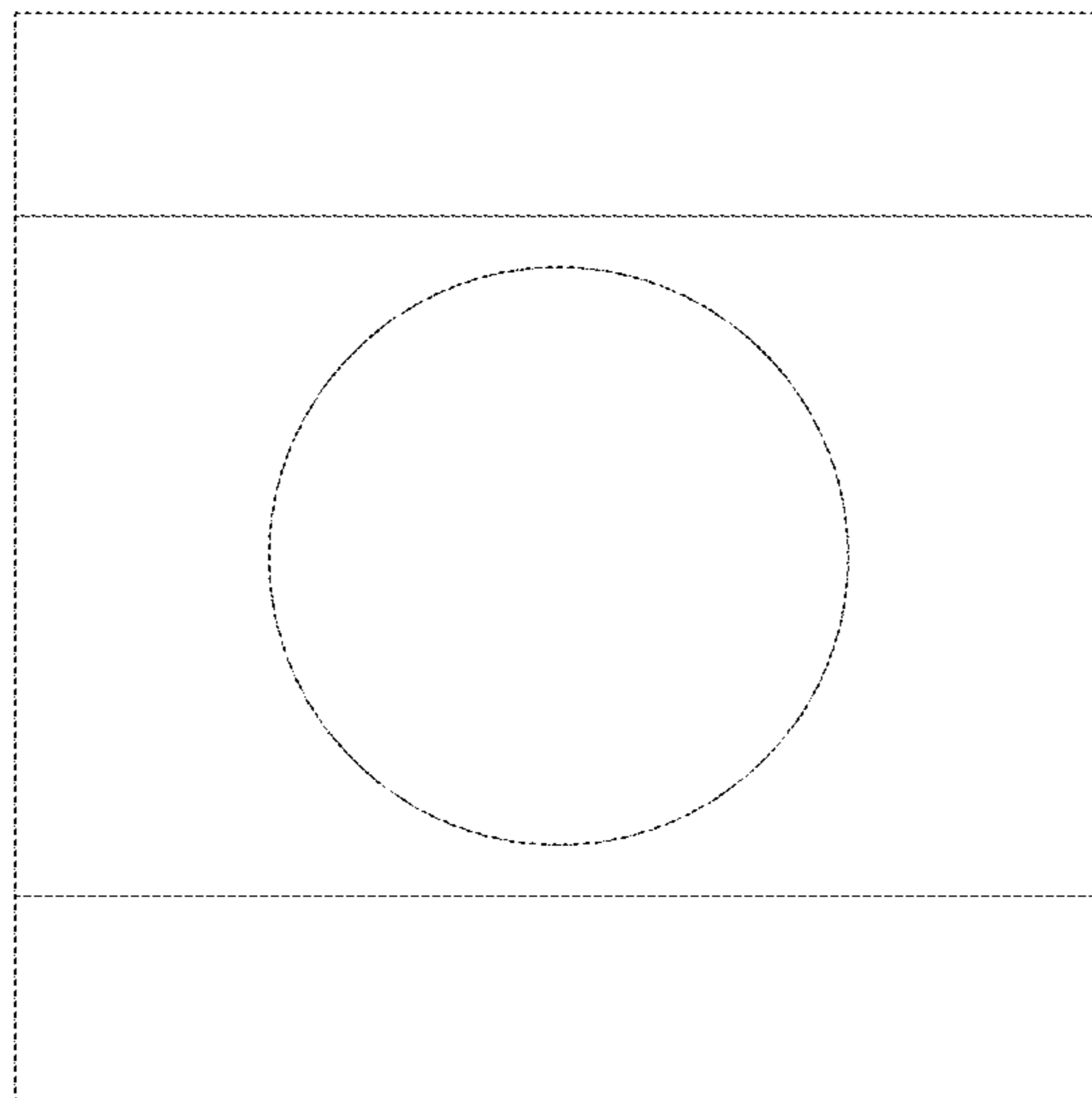


FIG. 9

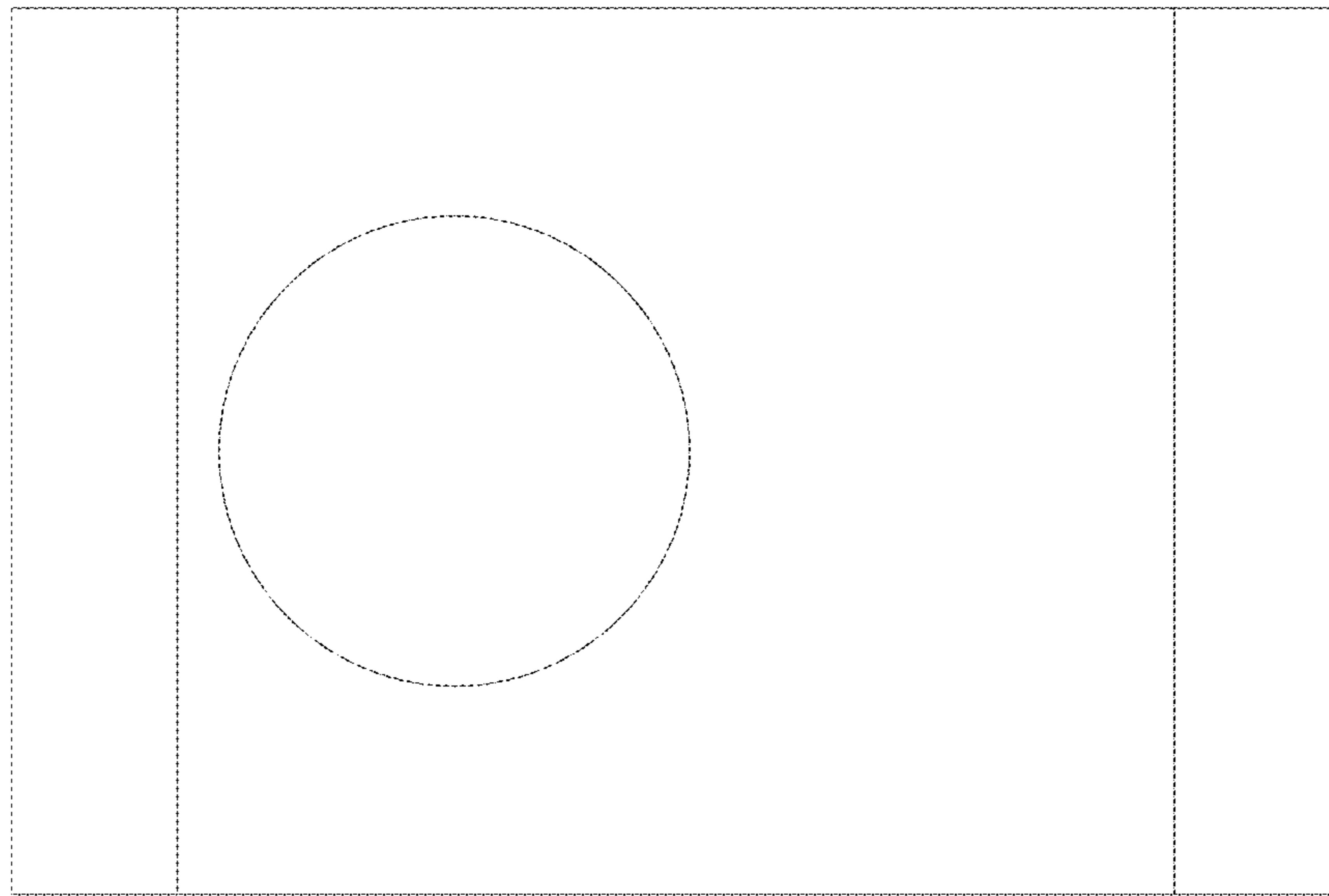


FIG. 10