



US00D853055S

(12) **United States Design Patent**
Cox

(10) **Patent No.:** **US D853,055 S**

(45) **Date of Patent:** **** Jul. 2, 2019**

(54) **PET TOY**

(71) Applicant: **HYPER PET LLC**, Wichita, KS (US)

(72) Inventor: **Sonia S. Cox**, Andover, KS (US)

(73) Assignee: **HYPER PET LLC**, Wichita, KS (US)

(**) Term: **15 Years**

(21) Appl. No.: **29/584,006**

(22) Filed: **Nov. 10, 2016**

(51) **LOC (11) Cl.** **30-99**

(52) **U.S. Cl.**

USPC **D30/160**

(58) **Field of Classification Search**

USPC D30/160, 21; D21/37, 41, 204, 364, 366,
D21/368, 372, 386, 398, 570, 707, 821;
D11/3, 79, 89, 90; 119/43, 79, 89, 15.01

CPC A01K 15/025; A01K 5/0114; A63B
2043/00; A63B 2043/001

See application file for complete search history.

D742,276 S * 11/2015 Behney D11/81
D761,686 S * 7/2016 Conner D11/184
D796,989 S * 9/2017 Gruosi D11/79

OTHER PUBLICATIONS

“Diamond Twist Pendant Necklace”, posted date not available [online]. Page dated Mar. 14, 2016. Retrieved from <https://goo.gl/MT79gt>.*

“Itopchart”, posted Aug. 12, 2016 [online], [retrieved Jan. 22, 2018]. Retrieved from https://tineye.com/search/b09396c2bb7c3c774e5f31c8661e149609786fc0/?extension_ver=chrome-1.2.0.*

“Aslanhighschool”, posted Aug. 28, 2015 [online], [retrieved Jan. 22, 2018]. Retrieved from https://tineye.com/search/bbf37a222077781e50dde659d983e487f903498b/?extension_ver=chrome-1.2.0.*

* cited by examiner

Primary Examiner — Barbara Fox

Assistant Examiner — Mehri F Bajoul

(74) *Attorney, Agent, or Firm* — Hovey Williams LLP

(57) **CLAIM**

The ornamental design for a pet toy, as shown and described.

DESCRIPTION

FIG. 1 is a top perspective view of a pet toy embodying my design;

FIG. 2 is a bottom perspective view of the pet toy of FIG. 1;

FIG. 3 is a front elevational view of the pet toy of FIG. 1;

FIG. 4 is left side elevational view of the pet toy of FIG. 1;

FIG. 5 is a right side elevational view of the pet toy of FIG. 1;

FIG. 6 is a top plan view of the pet toy of FIG. 1;

FIG. 7 is a bottom plan view of the pet toy of FIG. 1; and,

FIG. 8 is a rear elevational view of the pet toy of FIG. 1.

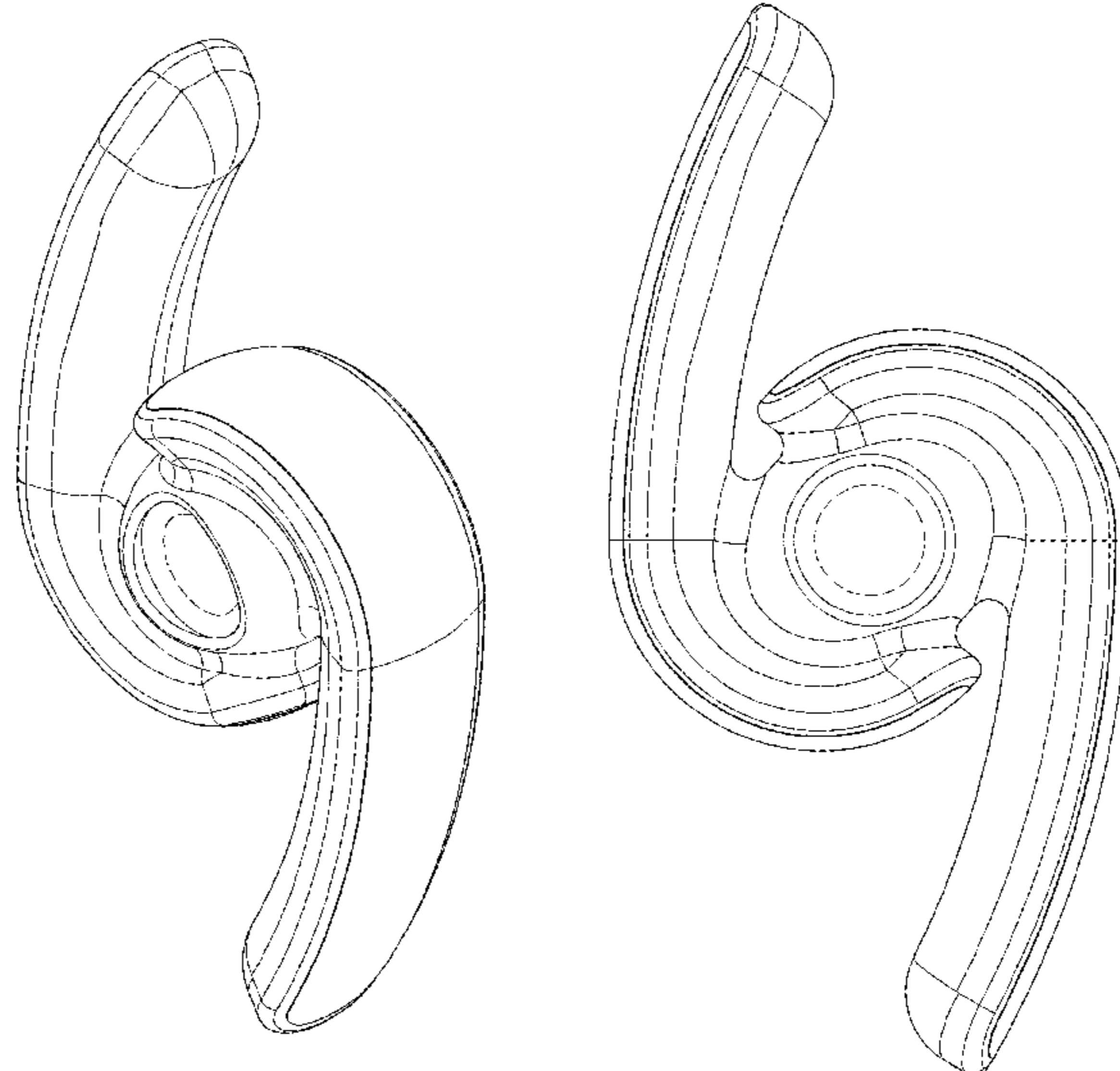
The broken lines shown in the drawings depict portions of the pet toy that form no part of the claimed design.

1 Claim, 3 Drawing Sheets

(56) **References Cited**

U.S. PATENT DOCUMENTS

D551,114 S * 9/2007 Azrielant D11/79
D577,468 S * 9/2008 Rutherford D21/659
D592,093 S * 5/2009 DaCosta D11/79
D604,656 S * 11/2009 Marks D11/34
D604,660 S * 11/2009 Marks D11/56
D613,913 S * 4/2010 Watson D30/160
D614,069 S * 4/2010 Marks D11/34
D614,365 S * 4/2010 Watson D30/160
D621,737 S * 8/2010 Marks D11/35
D621,739 S * 8/2010 Marks D11/79
D646,601 S * 10/2011 Papazian D11/79
D649,903 S * 12/2011 Marks D11/1
D652,181 S * 1/2012 Lee D30/160
D660,742 S * 5/2012 Papadimitriou D11/34
D714,674 S * 10/2014 Rosenberg-Pineau D11/79



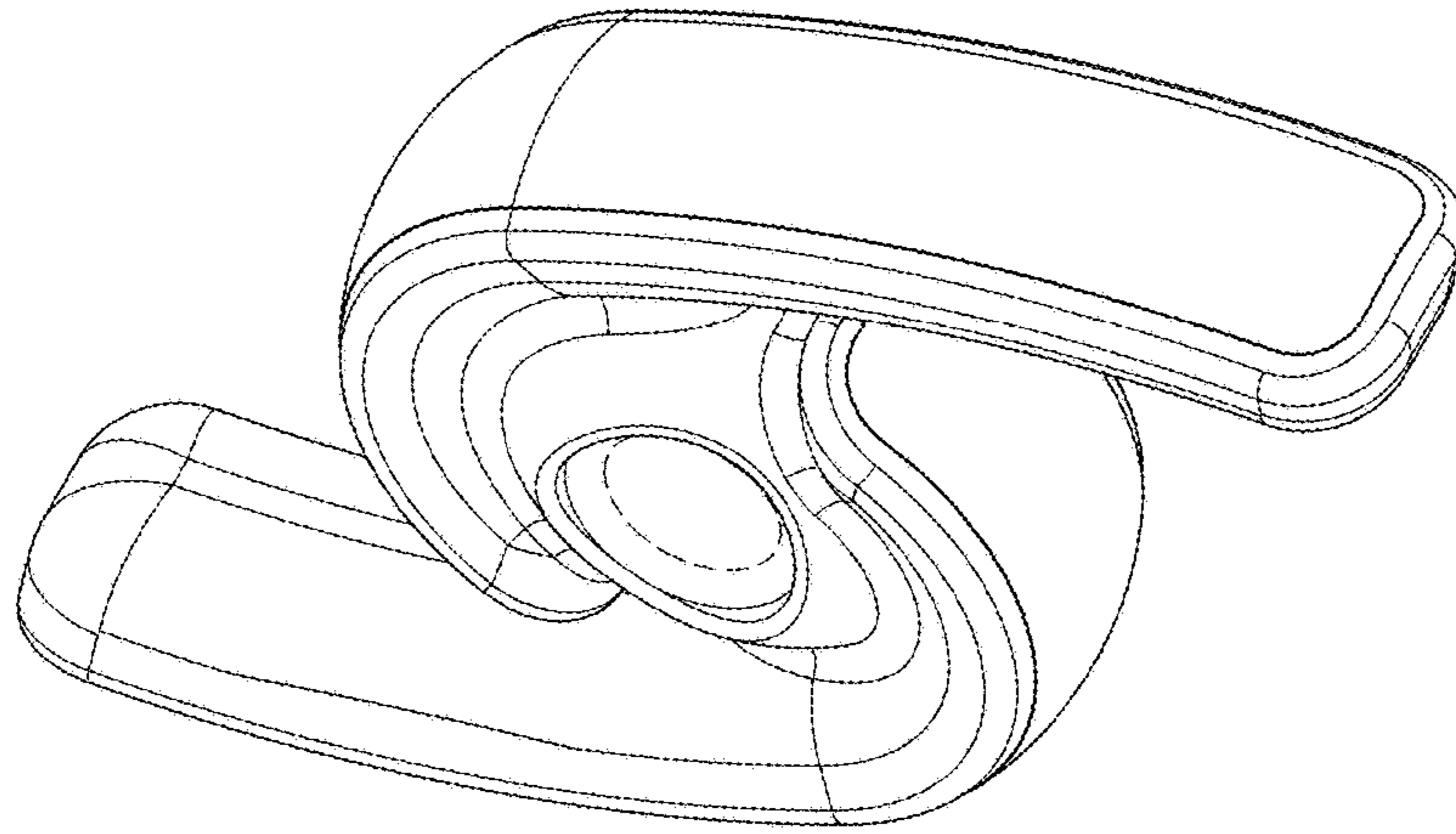


Fig. 2.

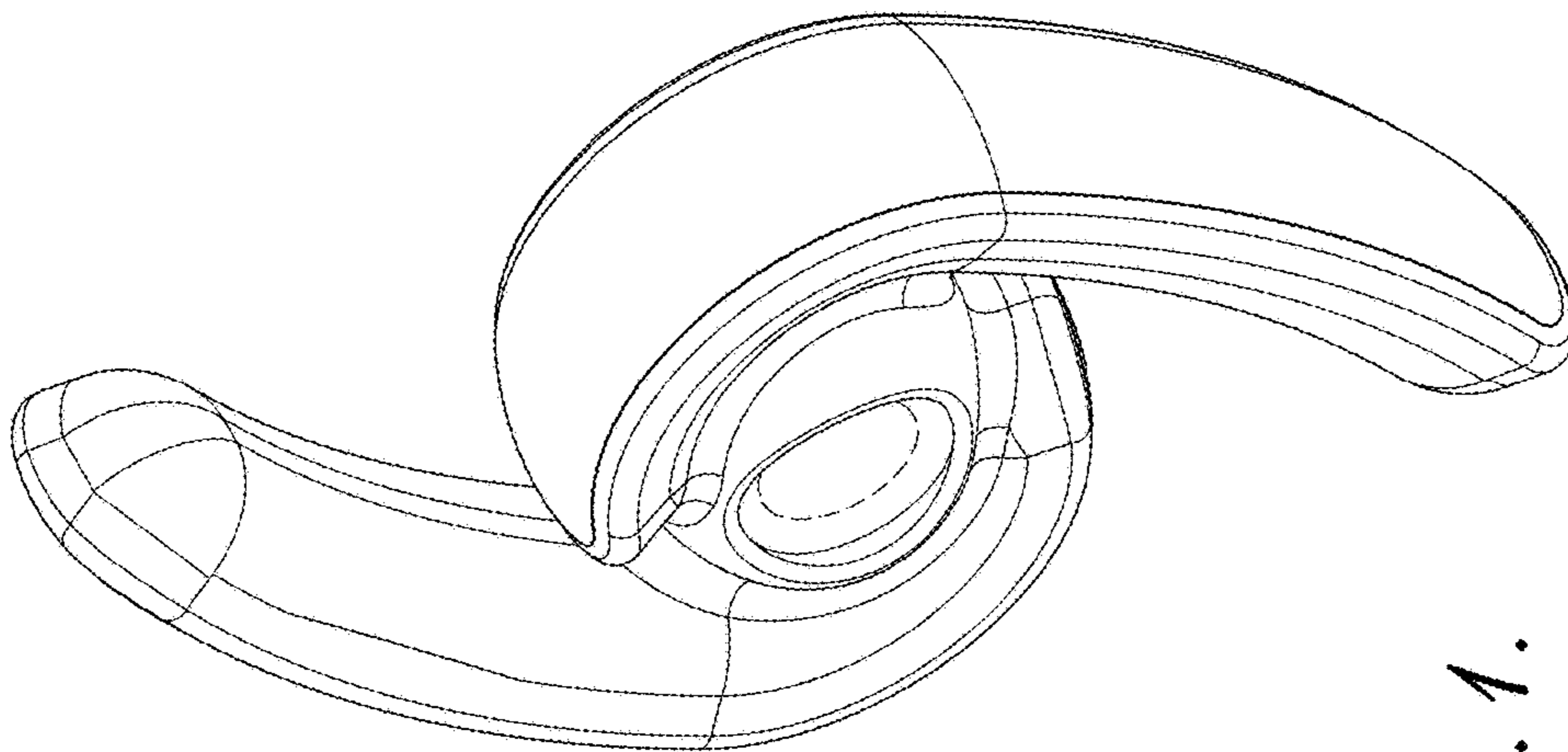


Fig. 1.

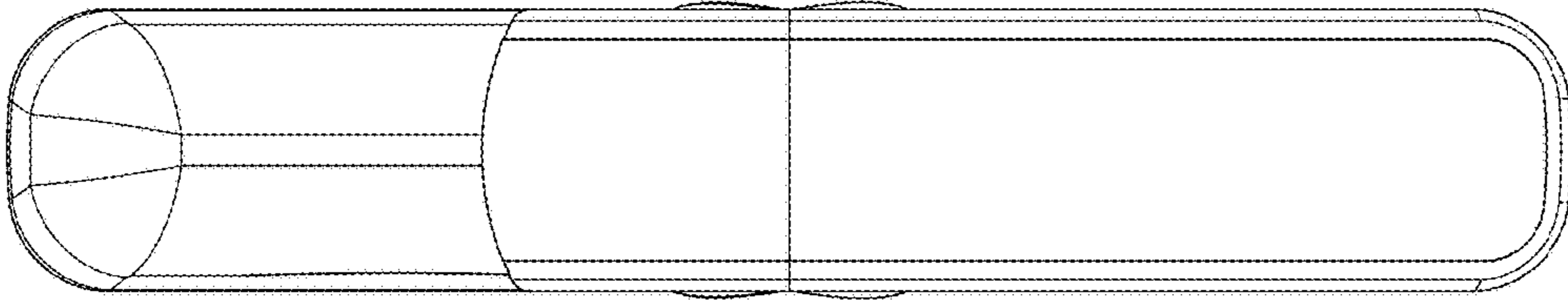


Fig. 5.

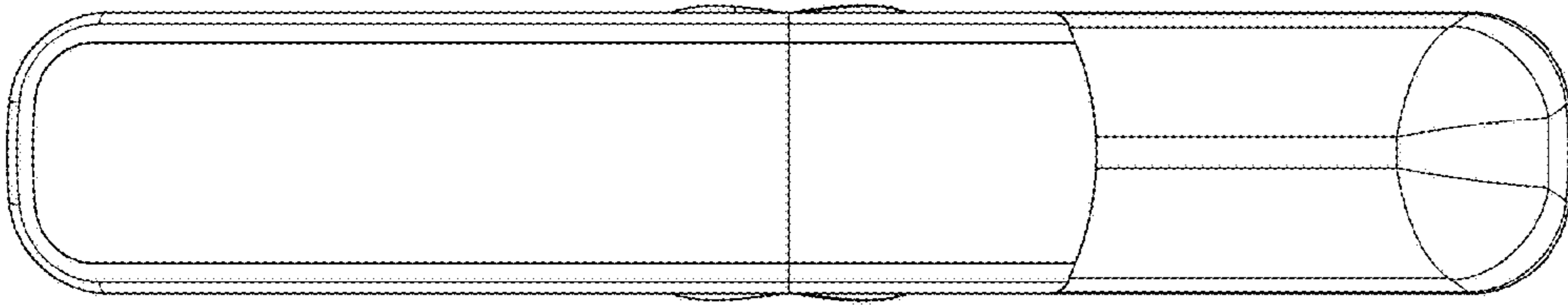


Fig. 4.

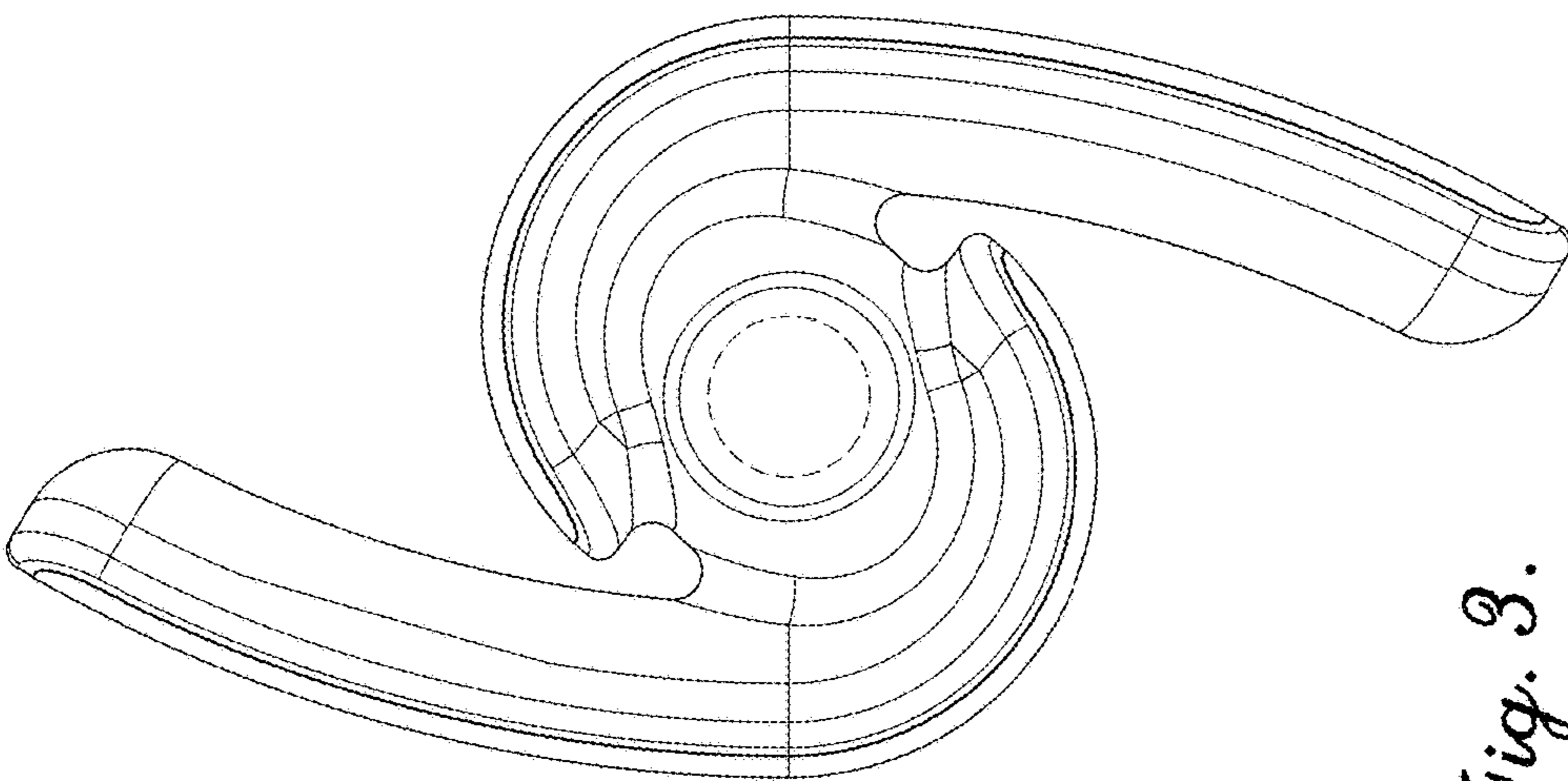


Fig. 3.

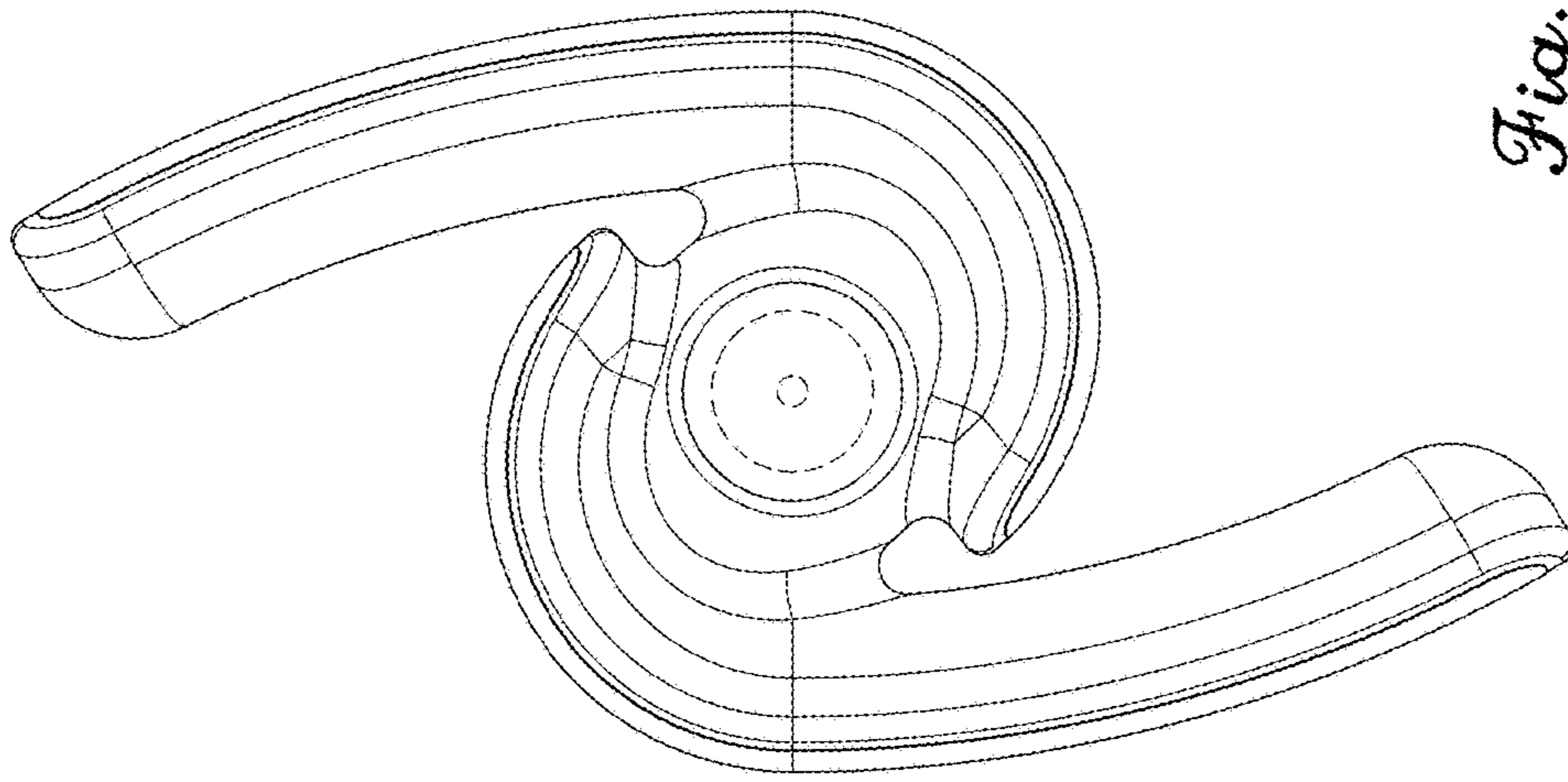


Fig. 8.

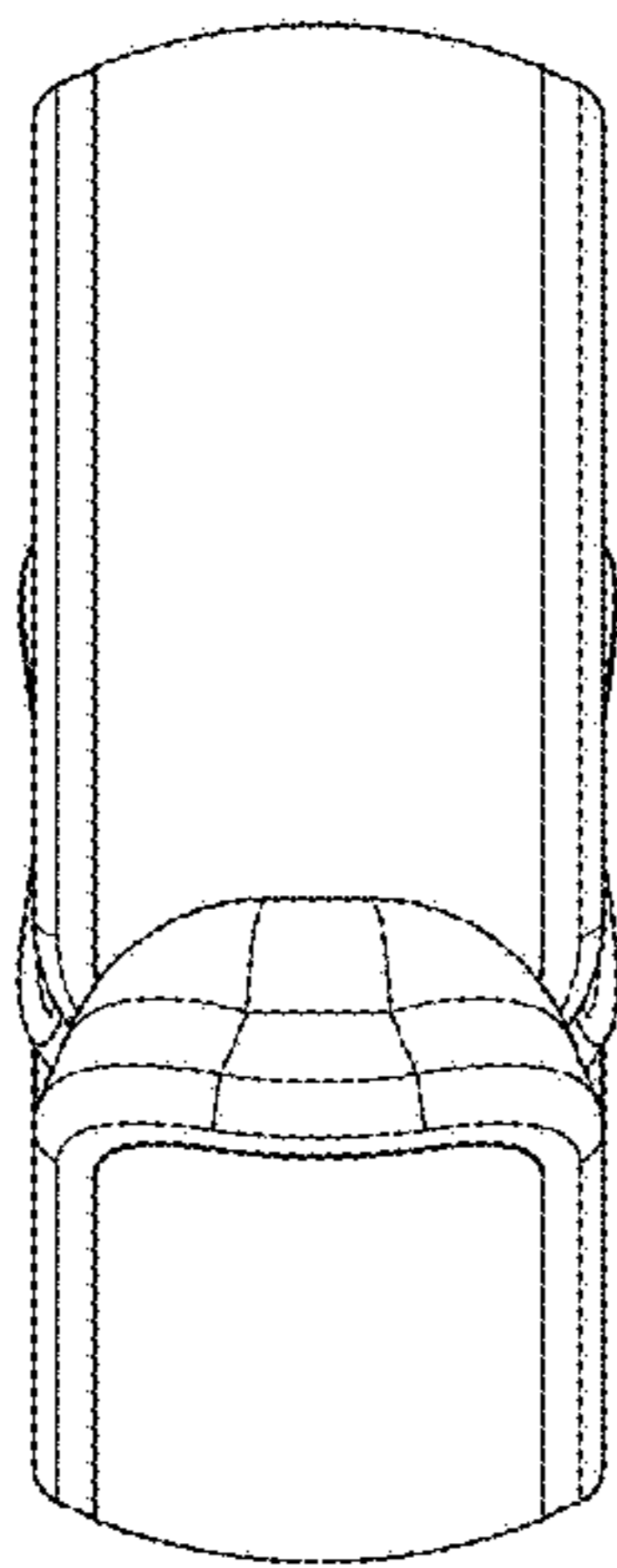


Fig. 6.

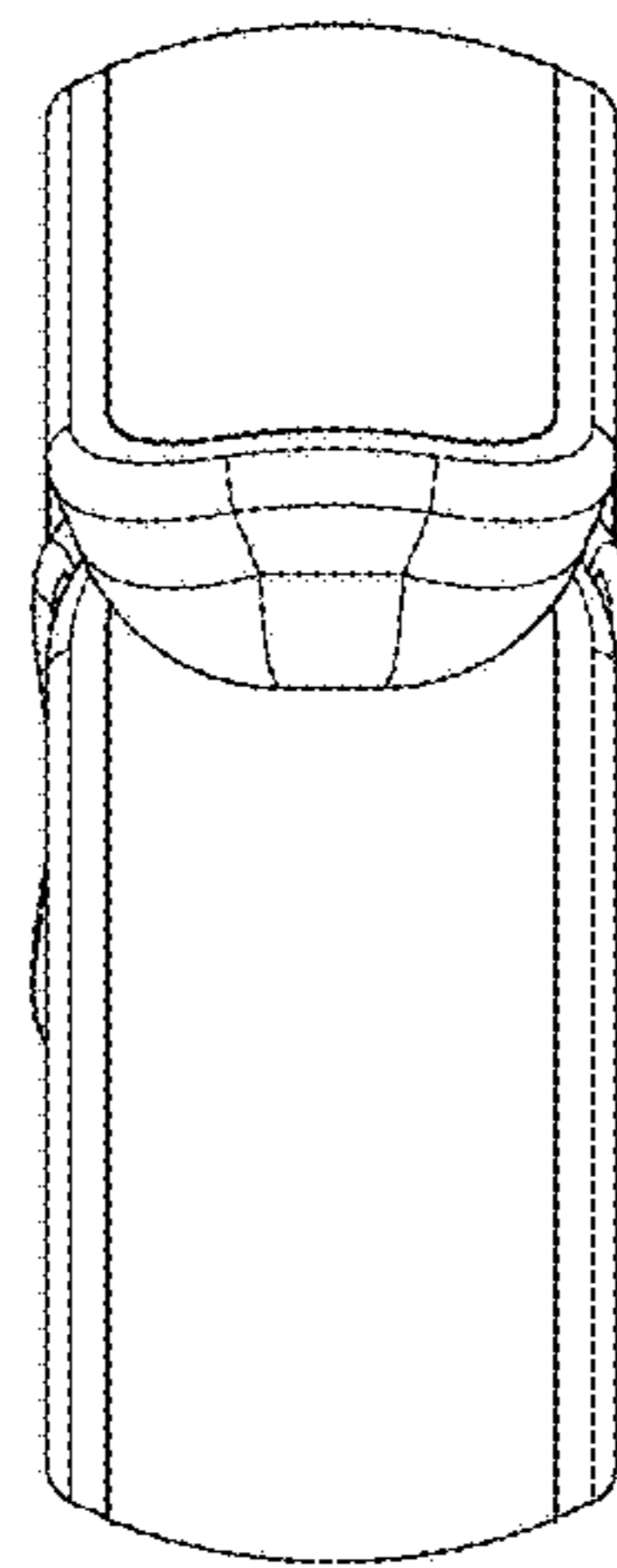


Fig. 7.