



US00D853054S

(12) **United States Design Patent** (10) **Patent No.:** **US D853,054 S**
Auer (45) **Date of Patent:** **** Jul. 2, 2019**

(54) **ANIMAL EAR TAG**
(71) Applicant: **SMARTBOW GMBH, Weibern (AT)**
(72) Inventor: **Wolfgang Auer, Weibern (AT)**
(73) Assignee: **SMARTBOW GMBH, Weibern (AT)**
(**) Term: **15 Years**
(21) Appl. No.: **35/504,682**
(22) Filed: **Mar. 12, 2018**
(80) **Hague Agreement Data**
Int. Filing Date: **Mar. 12, 2018**
Int. Reg. No.: **DM/100236**
Int. Reg. Date: **Mar. 12, 2018**
Int. Reg. Pub. Date: **Mar. 30, 2018**

(30) **Foreign Application Priority Data**
Sep. 20, 2017 (EM) 004363760-0001
(51) **LOC (11) Cl.** **30-08**
(52) **U.S. Cl.**
USPC **D30/155**
(58) **Field of Classification Search**
USPC D30/155; D20/22
CPC A01K 11/001; A01K 11/004
See application file for complete search history.

(56) **References Cited**
U.S. PATENT DOCUMENTS
4,646,455 A * 3/1987 Gardner A01K 11/001
40/300
4,854,328 A * 8/1989 Pollack A61B 5/0008
600/549

D325,268 S * 4/1992 Wittick D30/155
D379,253 S * 5/1997 Knapp D30/155
5,667,515 A * 9/1997 Chu A01K 11/001
40/300
D389,616 S * 1/1998 Van Amelsfort D30/155
6,098,324 A * 8/2000 Nepote A01K 11/006
40/300
D454,671 S * 3/2002 Miller 119/655
D463,630 S * 9/2002 Halderman G09F 3/202
40/301
D515,252 S * 2/2006 Dumbrell D30/155
D519,687 S * 4/2006 Zahav D20/22
D672,922 S * 12/2012 Ritchey D30/155
D679,458 S * 4/2013 Decaluwe D30/155
9,192,143 B2 * 11/2015 Hilpert A01K 11/001
2002/0108278 A1 * 8/2002 Wikan A01K 11/001
40/301
2004/0079010 A1 * 4/2004 Crespo A01K 11/004
40/301
2009/0064548 A1 * 3/2009 Vilaseca Vintro ... A01K 11/001
40/302
2013/0255593 A1 * 10/2013 Hilarides A01K 11/00
119/840
2018/0098521 A1 * 4/2018 Auer A01K 11/004
2018/0132449 A1 * 5/2018 Auer A01K 11/004

* cited by examiner

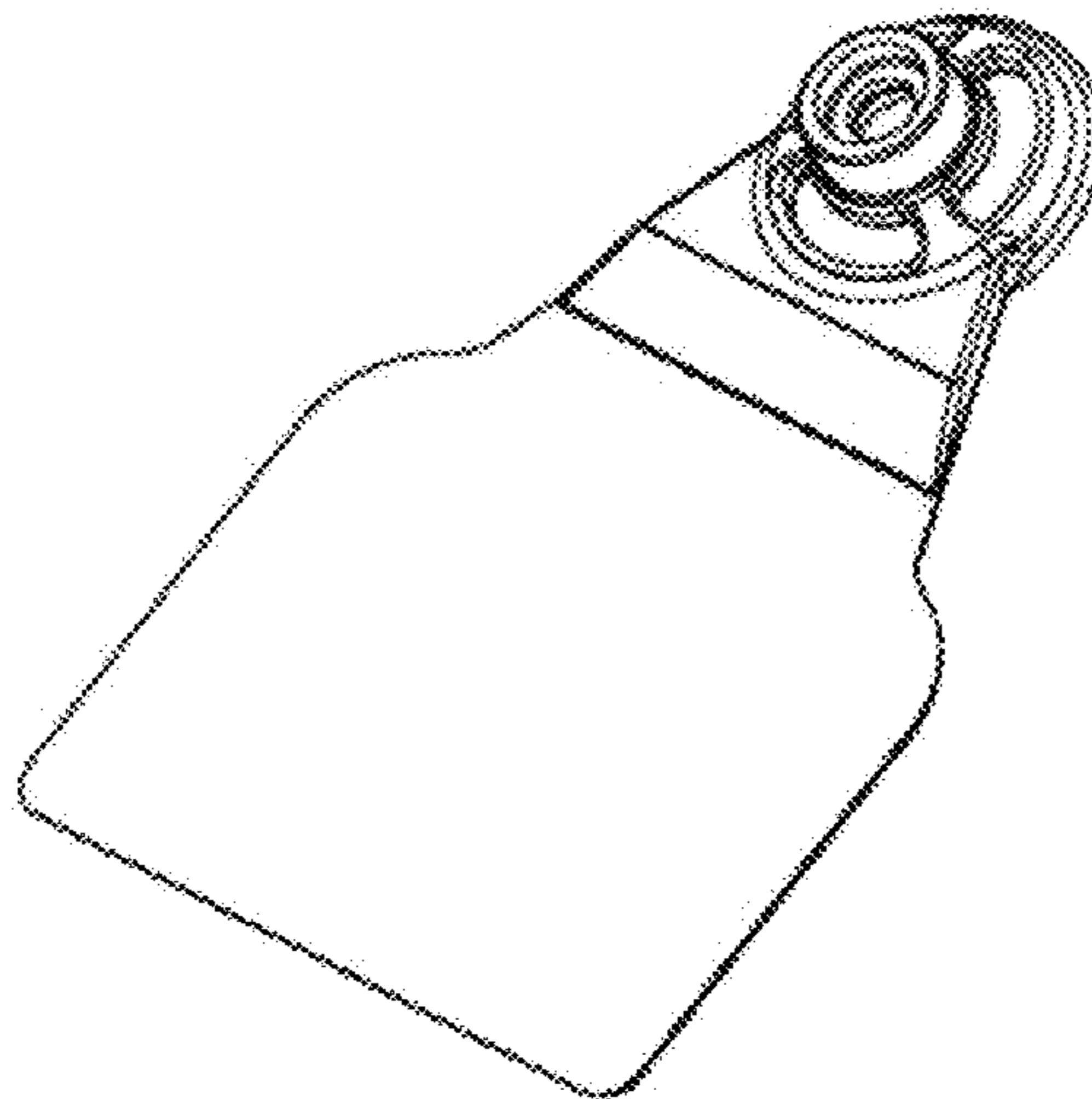
Primary Examiner — Deanna L Pratt
(74) *Attorney, Agent, or Firm* — Scott C. Mayhew

(57) **CLAIM**
The ornamental design for an animal ear tag, as shown and described.

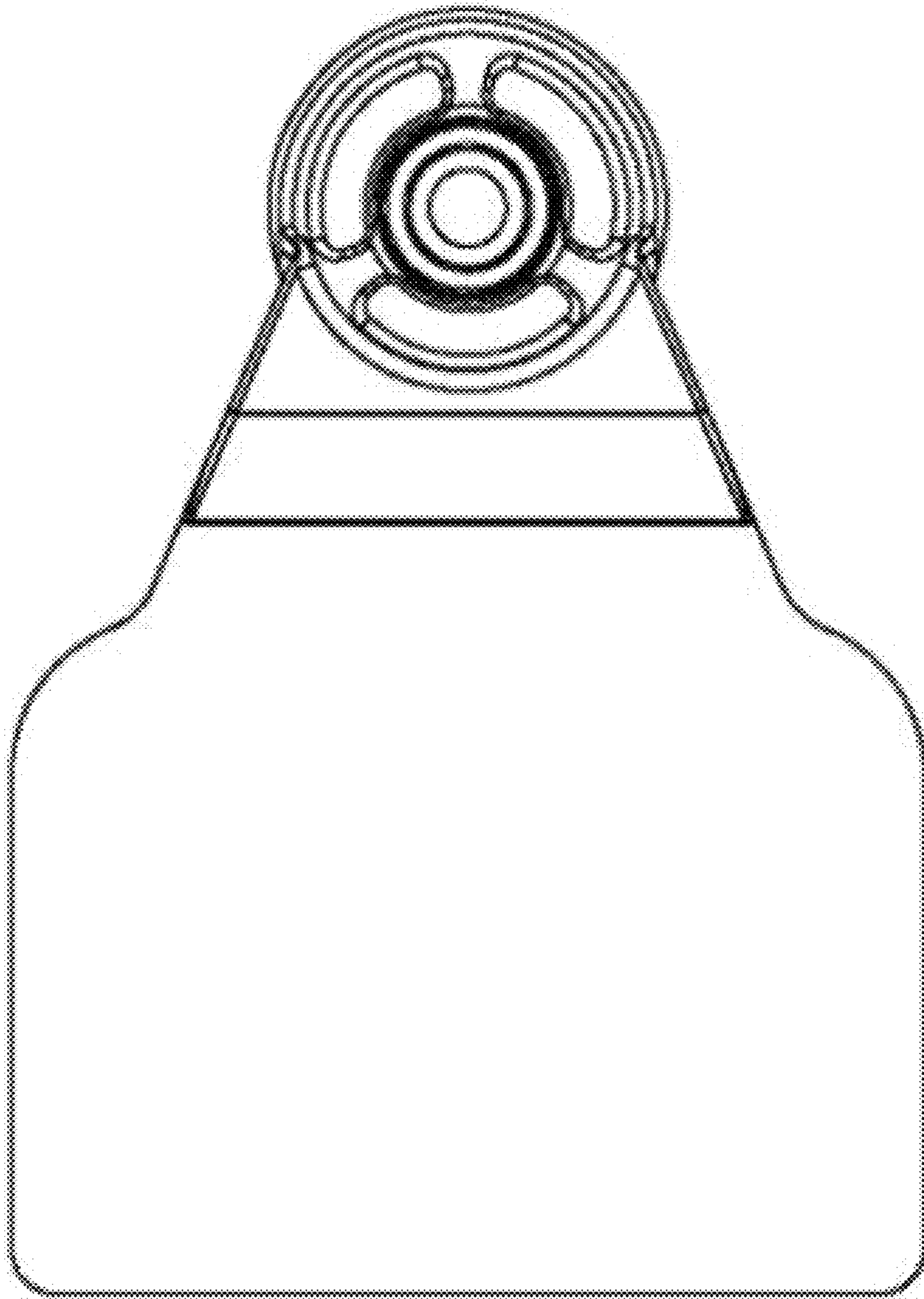
DESCRIPTION

1. Animal ear tag
1.1 is a front view of an animal ear tag;
1.2 is a perspective view of an animal ear tag; and
1.3 is a side view of an animal ear tag.

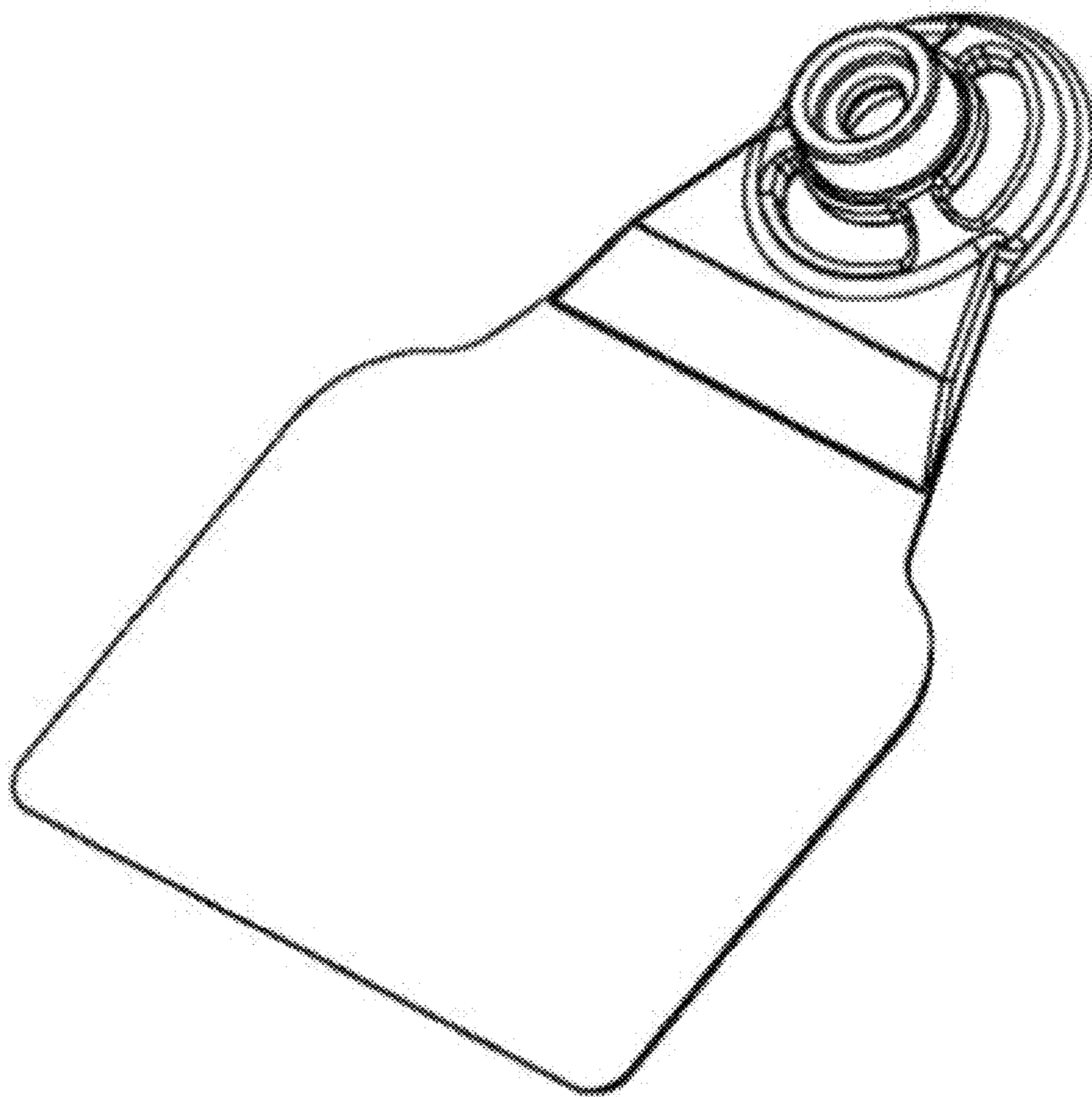
1 Claim, 3 Drawing Sheets



1.1



1.2



1.3

