



US00D853053S

(12) **United States Design Patent** (10) **Patent No.:** **US D853,053 S**
O'Donnell et al. (45) **Date of Patent:** **** Jul. 2, 2019**

(54) **ANIMAL FEEDING APPARATUS**

A01K 7/005; A01K 27/004; A01K
39/014; A01K 39/00; A01K 39/02; A01K
39/0113; A47J 43/0727; A01M 29/34;
B29C 65/48; B65D 81/36

(71) Applicant: **Curio Holding Company**, Philadelphia,
PA (US)

See application file for complete search history.

(72) Inventors: **Dennis P. O'Donnell**, Philadelphia, PA
(US); **Eric Griffin**, Philadelphia, PA
(US); **Keith Hatton**, Philadelphia, PA
(US); **John Combs**, Philadelphia, PA
(US); **Kurt Swanson**, Philadelphia, PA
(US); **Devin Sidell**, Philadelphia, PA
(US)

(56) **References Cited**

U.S. PATENT DOCUMENTS

1,289,681 A * 12/1918 Curtis A63F 7/044
273/116
D221,099 S * 7/1971 Alparone D7/584
3,648,403 A * 3/1972 Gommel A63F 9/0415
119/707
D262,069 S 11/1981 Khider
4,303,170 A * 12/1981 Panicci A47G 19/2261
215/376

(Continued)

(73) Assignee: **Curio Holding Company**

(**) Term: **15 Years**

(21) Appl. No.: **29/686,080**

(22) Filed: **Apr. 2, 2019**

OTHER PUBLICATIONS

Haug, Lore I., DVM, "Texas Veterinary Behavior Services", pp.
1-2, 2006.

Primary Examiner — Susan Moon Lee

(74) *Attorney, Agent, or Firm* — The Belles Group, P.C.

Related U.S. Application Data

(63) Continuation of application No. 15/267,348, filed on
Sep. 16, 2016.

(51) **LOC (11) Cl.** **30-03**

(52) **U.S. Cl.**
USPC **D30/129**

(58) **Field of Classification Search**

USPC D30/121, 122, 129-133, 160; 119/61.5,
119/51.01, 61.56, 51.03, 59, 62, 63, 51.5,
119/57.8, 74, 61.54, 61.55; 312/204;
248/151, 188; 108/156, 153.1-157;
220/23.87, 630, 737, 743, 9.4, 495.01,
220/574, 212, 255, 23.83; 206/515;
D7/586, 543, 550.1, 587, 505, 584, 545,
D7/500, 553.1-553.8, 546, 555, 556, 504,
D7/565, 562, 602; D9/429; 43/109;
D22/122; 99/430, DIG. 15
CPC .. A01K 5/0233; A01K 5/0241; A01K 5/0275;
A01K 5/0291; A01K 5/0114; A01K 5/01;
A01K 5/0121; A01K 5/0135; A01K
5/0142; A01K 5/0128; A01K 15/025;
A01K 5/025; A01K 7/00; A01K 7/02;

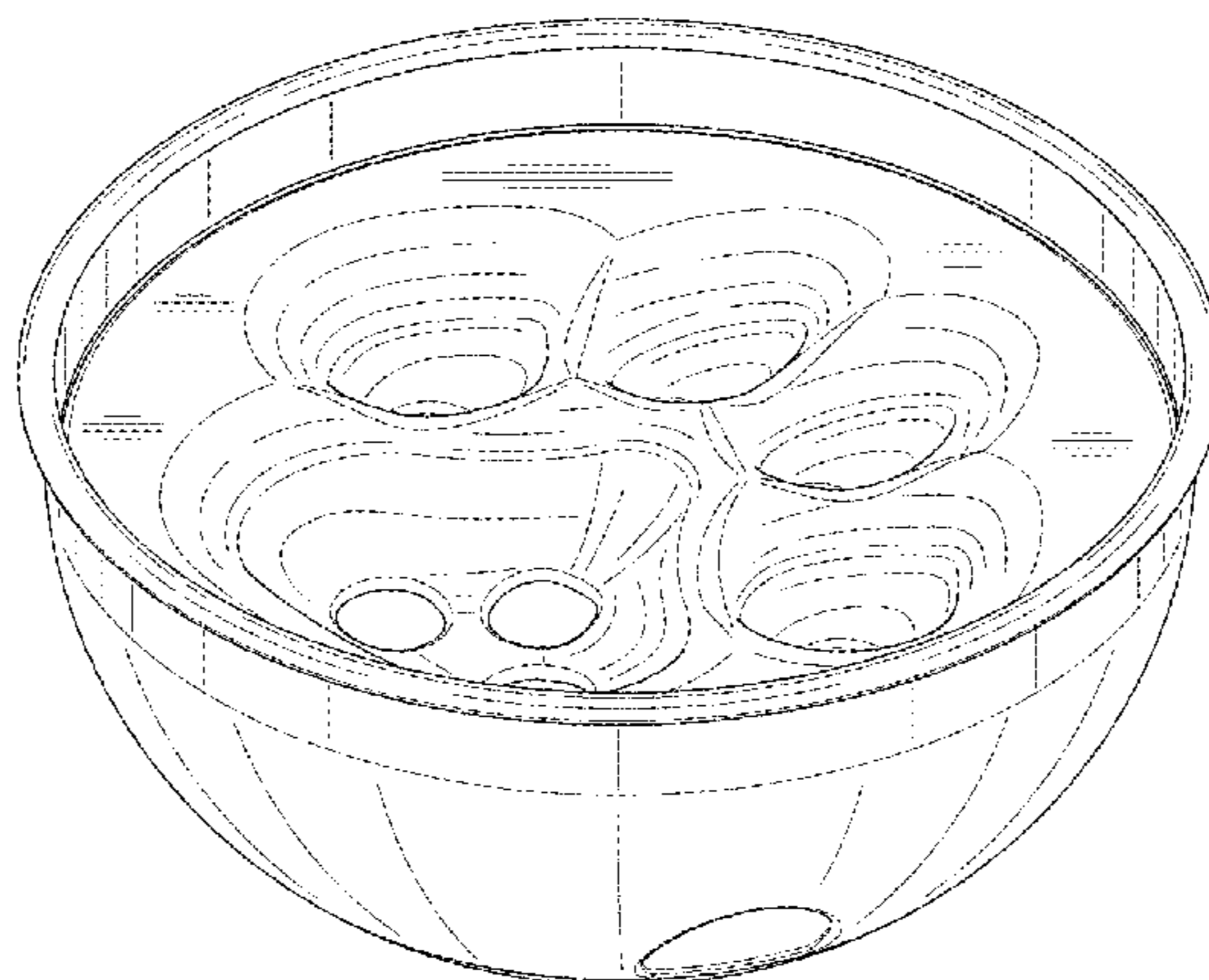
(57) **CLAIM**

The ornamental design for an animal feeding apparatus, as
shown and described.

DESCRIPTION

FIG. 1 is a front perspective view of an animal feeding
apparatus according to the new design;
FIG. 2 is a front view thereof;
FIG. 3 is a rear view thereof;
FIG. 4 is a left side view thereof;
FIG. 5 is a right side view thereof;
FIG. 6 is a top view thereof; and,
FIG. 7 is a bottom view thereof.

1 Claim, 7 Drawing Sheets



(56)

References Cited

U.S. PATENT DOCUMENTS

D296,020 S 5/1988 McCarroll
 D304,536 S * 11/1989 Blaser D7/584
 5,009,193 A * 4/1991 Gordon A01K 15/025
 119/707
 5,169,023 A * 12/1992 Heiberg A47J 27/002
 220/254.7
 D357,588 S * 4/1995 Fachinger D6/302
 D360,304 S * 7/1995 Fachinger D6/302
 5,791,287 A * 8/1998 Gruber A01K 7/005
 119/61.54
 D424,758 S * 5/2000 Akopdjanov D30/129
 6,098,571 A 8/2000 Axelrod et al.
 6,112,698 A * 9/2000 Zelinger A01K 5/0135
 119/61.54
 6,167,841 B1 1/2001 Ho
 D440,736 S * 4/2001 Stafford D1/107
 D447,074 S * 8/2001 Chan D10/104.1
 6,341,578 B1 * 1/2002 Berube A01K 1/0121
 119/162
 6,349,671 B1 * 2/2002 Lewis A01K 5/0291
 119/51.02
 6,431,389 B1 * 8/2002 Jerstroem A47J 36/02
 220/574
 D490,577 S 5/2004 Steinbacher et al.
 D492,539 S * 7/2004 Henry D7/357
 6,945,195 B1 * 9/2005 Morrison A01K 15/025
 119/707
 7,207,291 B1 * 4/2007 Watts A01K 5/0114
 119/61.5
 D553,305 S * 10/2007 Willinger D30/133
 D560,862 S * 1/2008 Knuth D30/155
 D561,411 S * 2/2008 Pipenur D30/155
 D563,608 S 3/2008 Kitchen
 D571,929 S * 6/2008 Palmer, III D25/2
 D576,735 S * 9/2008 Strickler D23/261
 7,441,514 B2 10/2008 Dana
 D589,660 S * 3/2009 Tolentino-Swem D30/153
 D606,278 S * 12/2009 Kerr D1/107
 7,753,000 B1 * 7/2010 Turner A01K 5/01
 119/57
 D622,028 S * 8/2010 Kerr D1/107
 7,856,944 B1 * 12/2010 Stauffer A01K 5/0114
 119/61.5
 D636,944 S 4/2011 Anderson et al.
 D640,564 S * 6/2011 Kerr D9/607
 D642,336 S * 7/2011 Desrosiers D30/122
 D648,904 S 11/2011 Tedaldi et al.
 D650,147 S * 12/2011 Kerr D1/106
 8,083,090 B2 * 12/2011 Cocchiarella A47G 19/02
 220/521
 D656,280 S * 3/2012 St. Clair D30/122
 D659,296 S 5/2012 Anderson
 8,230,808 B2 7/2012 Lai
 D665,000 S * 8/2012 Morelli D15/90
 D665,133 S * 8/2012 Haverstock D30/129
 D665,264 S * 8/2012 Kerr D9/607
 D667,034 S * 9/2012 Wirth, Jr. D15/140
 8,342,128 B2 1/2013 Rocker
 D676,202 S * 2/2013 Hansen D30/121
 D676,619 S * 2/2013 Hansen D30/121
 D684,733 S * 6/2013 Altoon D30/161
 D685,565 S * 7/2013 Bhandula D99/1
 D687,616 S * 8/2013 Smith D1/107
 D689,328 S * 9/2013 Hollinger D7/354
 D693,862 S * 11/2013 Wirth, Jr. D15/140

D697,687 S * 1/2014 Kerr D1/107
 D697,691 S * 1/2014 Kerr D1/199
 D697,692 S * 1/2014 Kerr D1/106
 8,631,763 B2 * 1/2014 Lipscomb A01K 5/0142
 119/54
 D699,009 S 2/2014 Hansen et al.
 8,640,647 B2 2/2014 Dotterer
 8,651,055 B2 * 2/2014 Dreger A01K 5/0135
 119/61.5
 8,869,748 B2 * 10/2014 Yin A01K 15/021
 119/51.02
 D721,860 S * 1/2015 Parks D30/129
 D725,317 S * 3/2015 Avalos Sartorio D30/121
 D741,024 S * 10/2015 Liu D30/129
 D757,374 S * 5/2016 Breit D30/133
 D775,769 S * 1/2017 Trottier D30/122
 D776,368 S * 1/2017 Avalos Sartorio D30/118
 9,591,832 B2 * 3/2017 Price A01K 15/025
 D793,630 S * 8/2017 Bales D30/121
 9,737,049 B2 * 8/2017 Trottier A01K 5/02
 D805,700 S * 12/2017 Owens, III D30/129
 D819,278 S * 5/2018 Watanabe D30/129
 D819,901 S * 6/2018 Bone D30/199
 D821,039 S * 6/2018 Owens, III D30/129
 D822,312 S * 7/2018 Williams D1/107
 D822,922 S * 7/2018 Wen D30/199
 D824,602 S 7/2018 Danenberg et al.
 D825,865 S * 8/2018 Abbey D30/129
 D830,007 S 10/2018 Harris
 D832,529 S 10/2018 Elliott
 D836,852 S 12/2018 Abbott
 2003/0070956 A1 * 4/2003 Schiltz B65D 1/36
 206/515
 2004/0200845 A1 * 10/2004 Watzke B65D 1/24
 220/501
 2005/0235919 A1 * 10/2005 Willinger A01K 5/0114
 119/61.5
 2005/0268862 A1 * 12/2005 Morrison A01K 15/025
 119/707
 2006/0207993 A1 * 9/2006 Copeland A47G 19/02
 220/574
 2007/0199512 A1 * 8/2007 Ellis A01K 7/005
 119/61.54
 2008/0083378 A1 4/2008 Pearce
 2009/0199774 A1 * 8/2009 Hamilton A01K 5/01
 119/61.54
 2010/0077963 A1 * 4/2010 Lipscomb A01K 5/0114
 119/54
 2011/0132269 A1 * 6/2011 Davidson A45C 11/00
 119/161
 2011/0169183 A1 * 7/2011 Axelrod B29C 45/14778
 264/46.4
 2011/0226187 A1 9/2011 Bertsch
 2012/0017837 A1 * 1/2012 Crawford A01K 5/01
 119/61.1
 2012/0068396 A1 * 3/2012 Wirth, Jr. B23Q 1/032
 269/289 R
 2012/0204799 A1 8/2012 Desrosiers
 2013/0104808 A1 * 5/2013 Rocker A01K 5/0128
 119/61.55
 2013/0228128 A1 * 9/2013 Schehr A01K 5/01
 119/61.5
 2013/0276711 A1 10/2013 Lipscomb et al.
 2014/0158054 A1 * 6/2014 Clarke A01K 5/0114
 119/51.01
 2017/0127647 A1 * 5/2017 Owens A01K 5/0114
 2017/0127648 A1 * 5/2017 O'Donnell A01K 5/0114

* cited by examiner

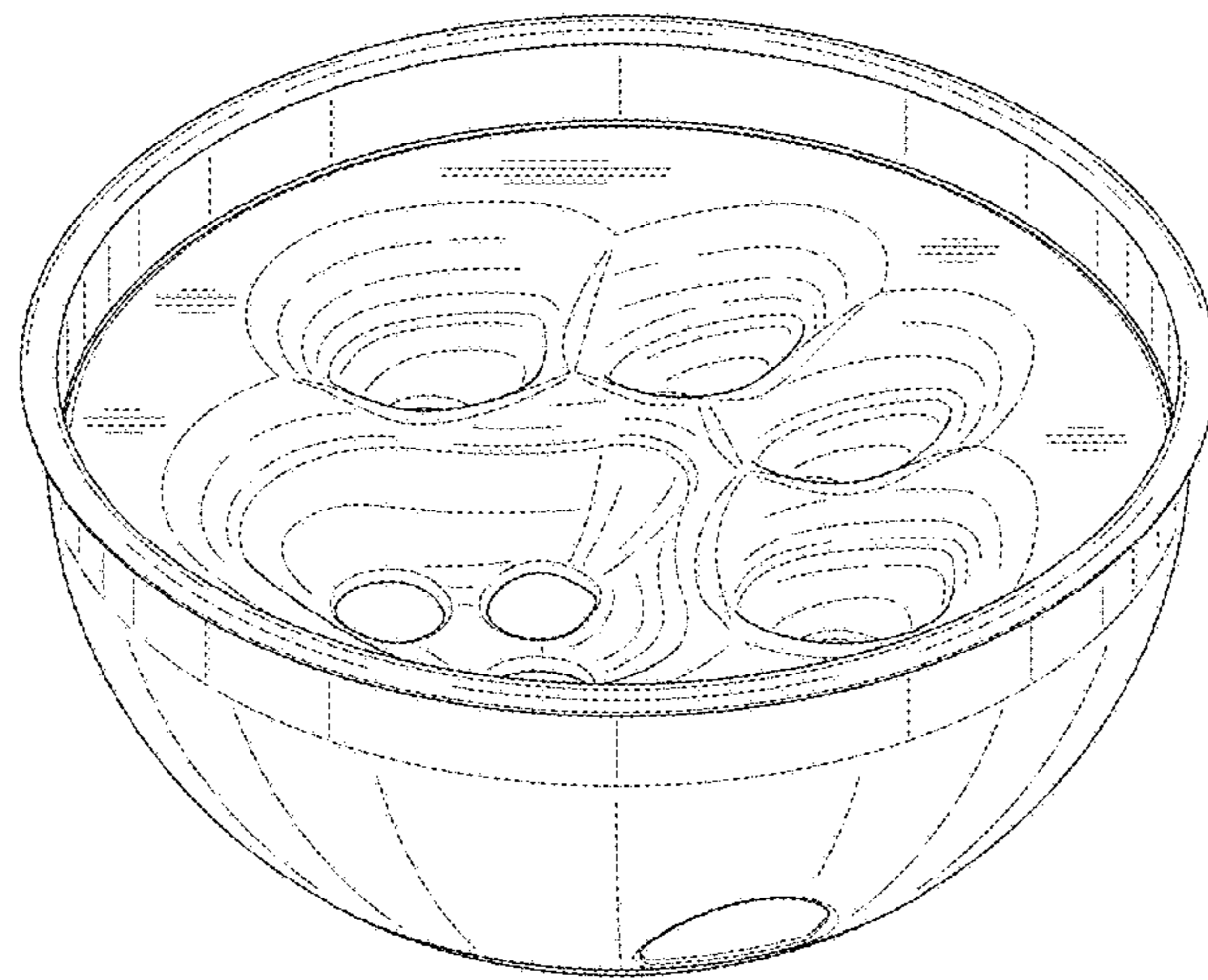


FIG. 1

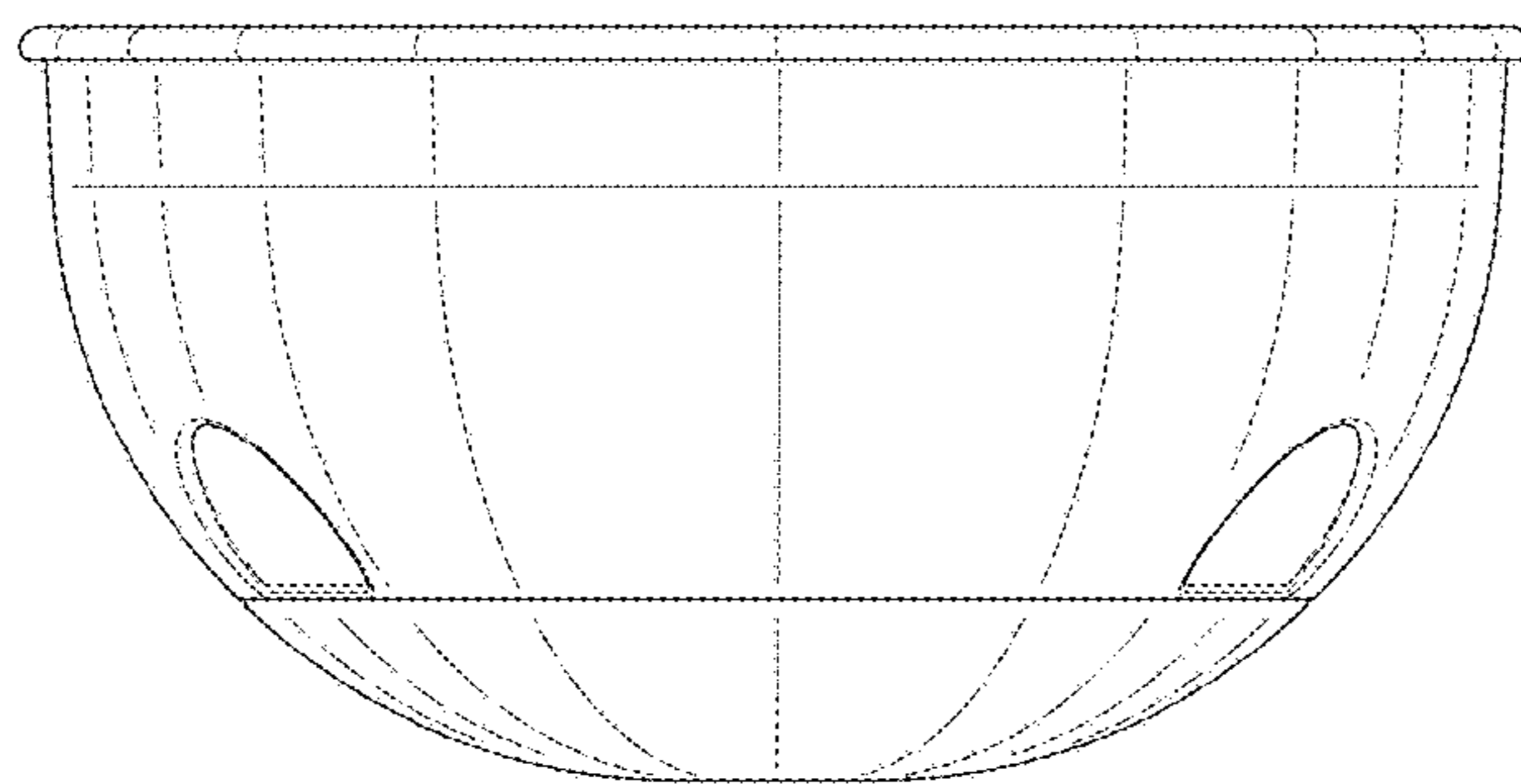


FIG. 2

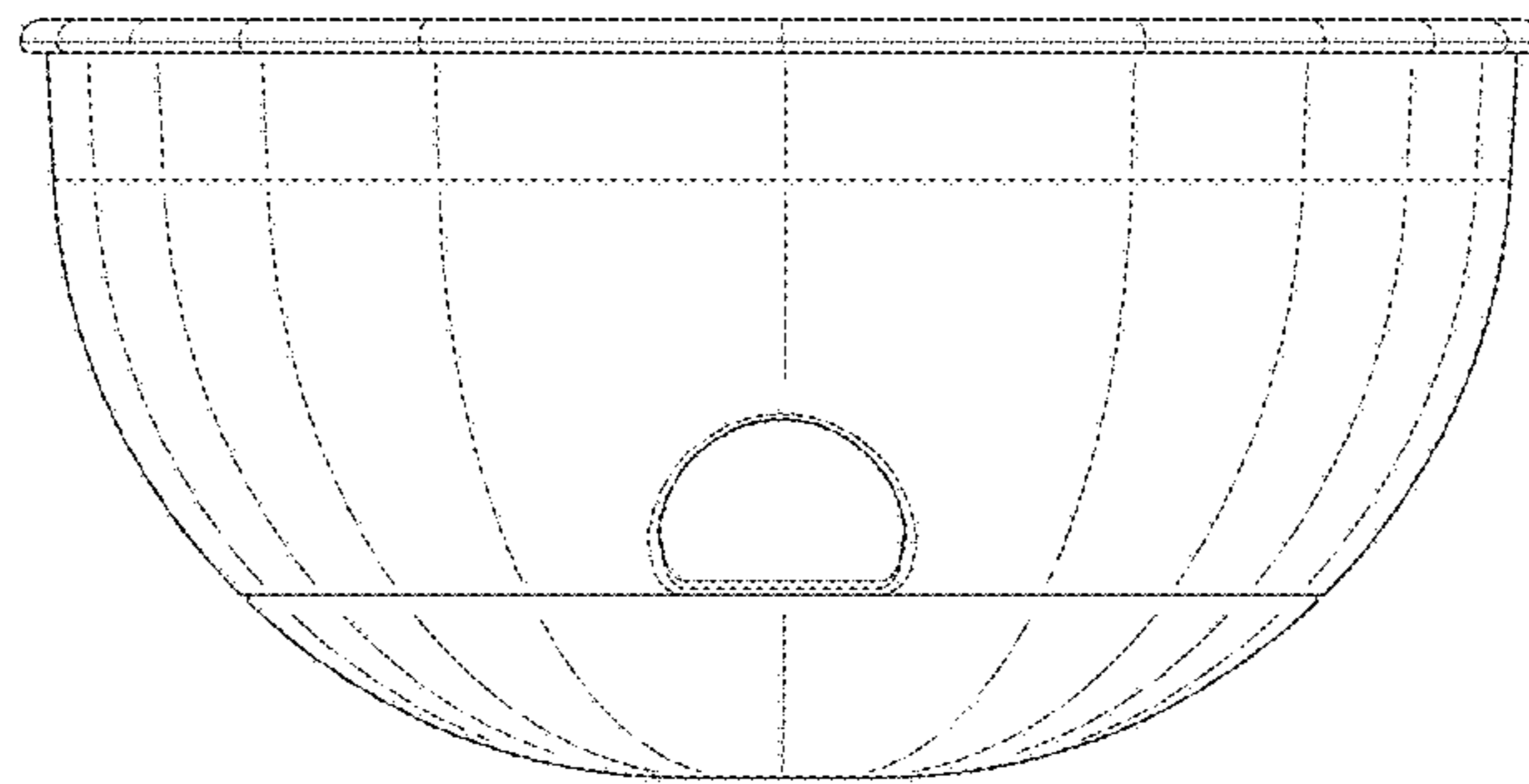


FIG. 3

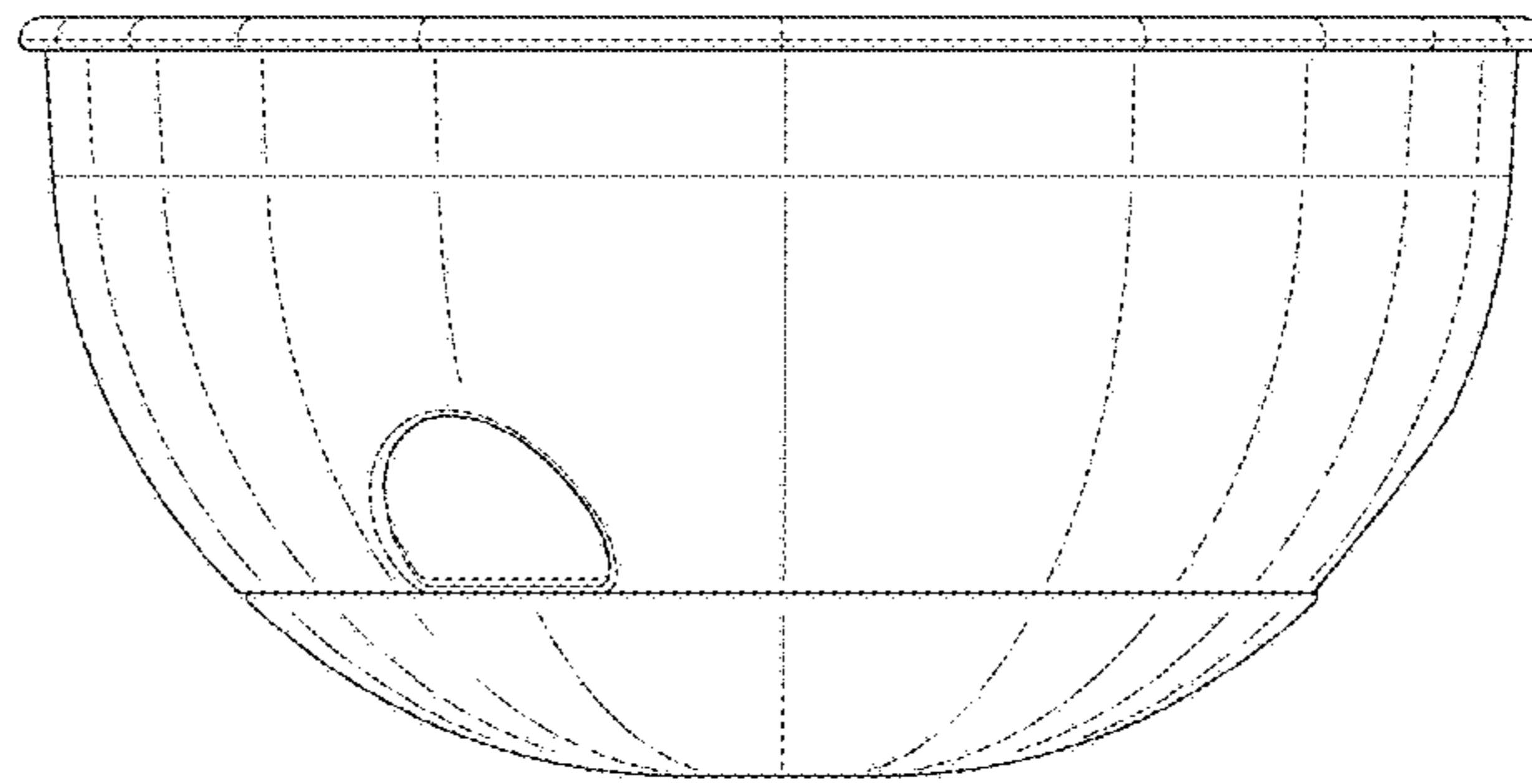


FIG. 4

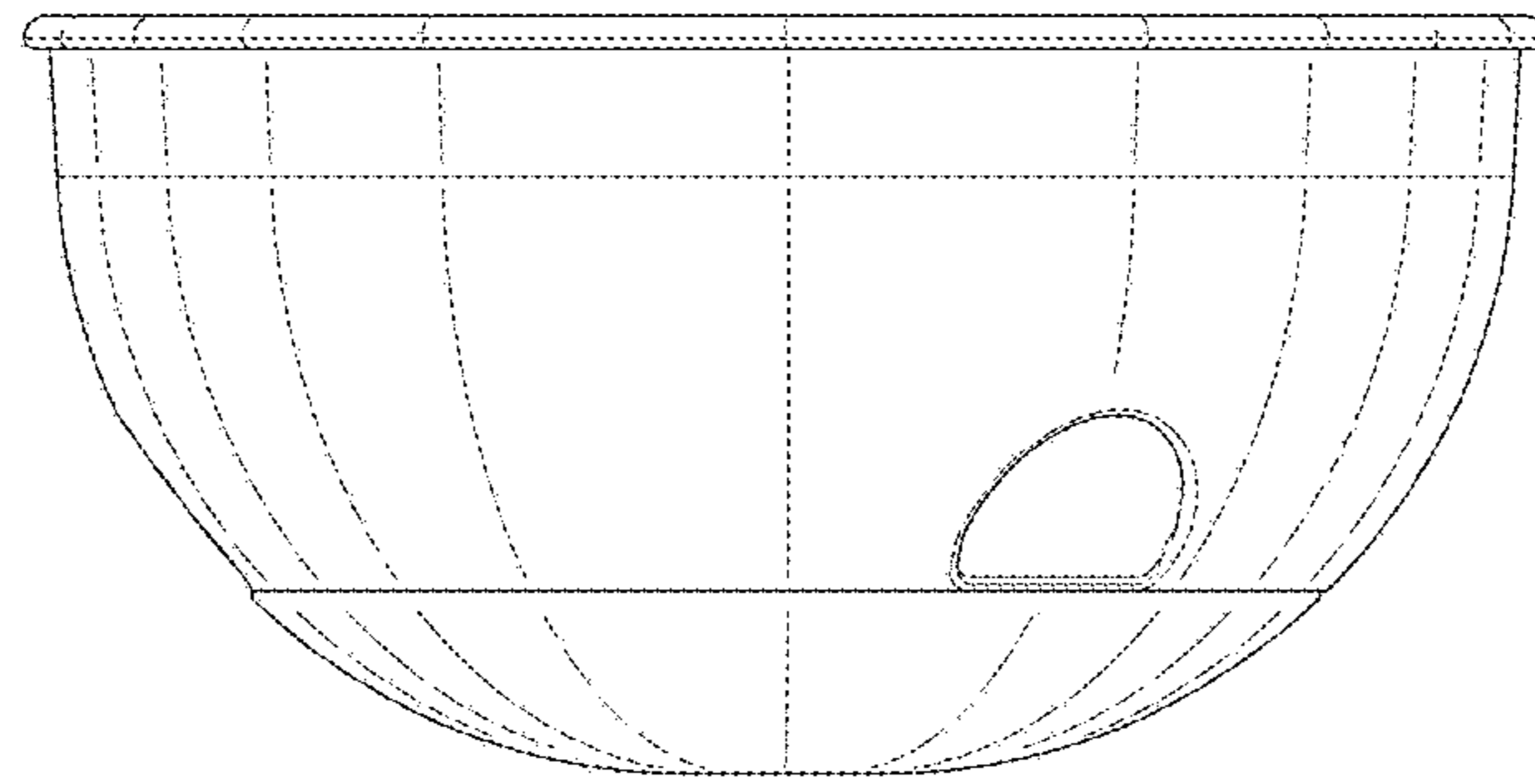


FIG. 5

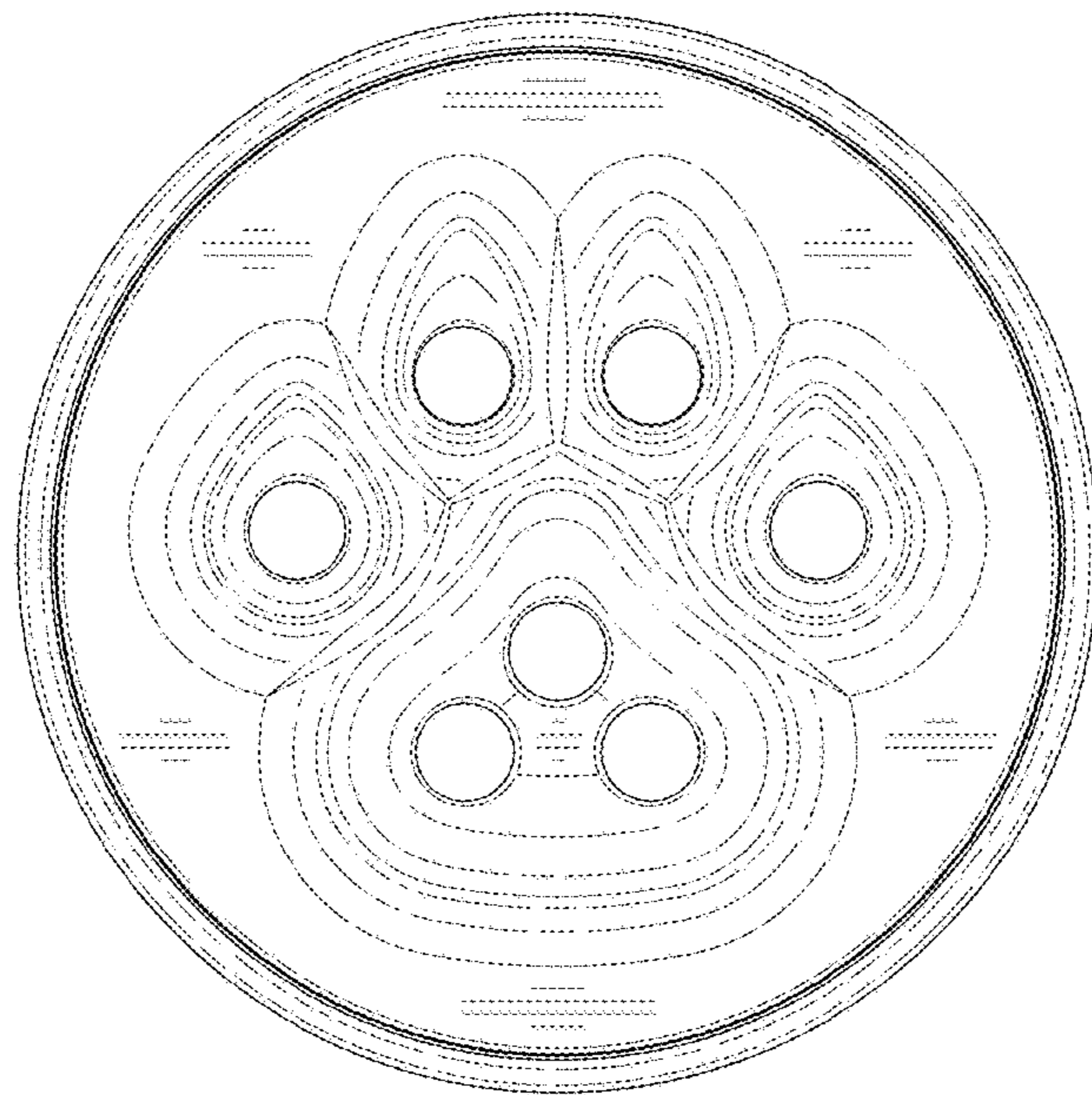


FIG. 6

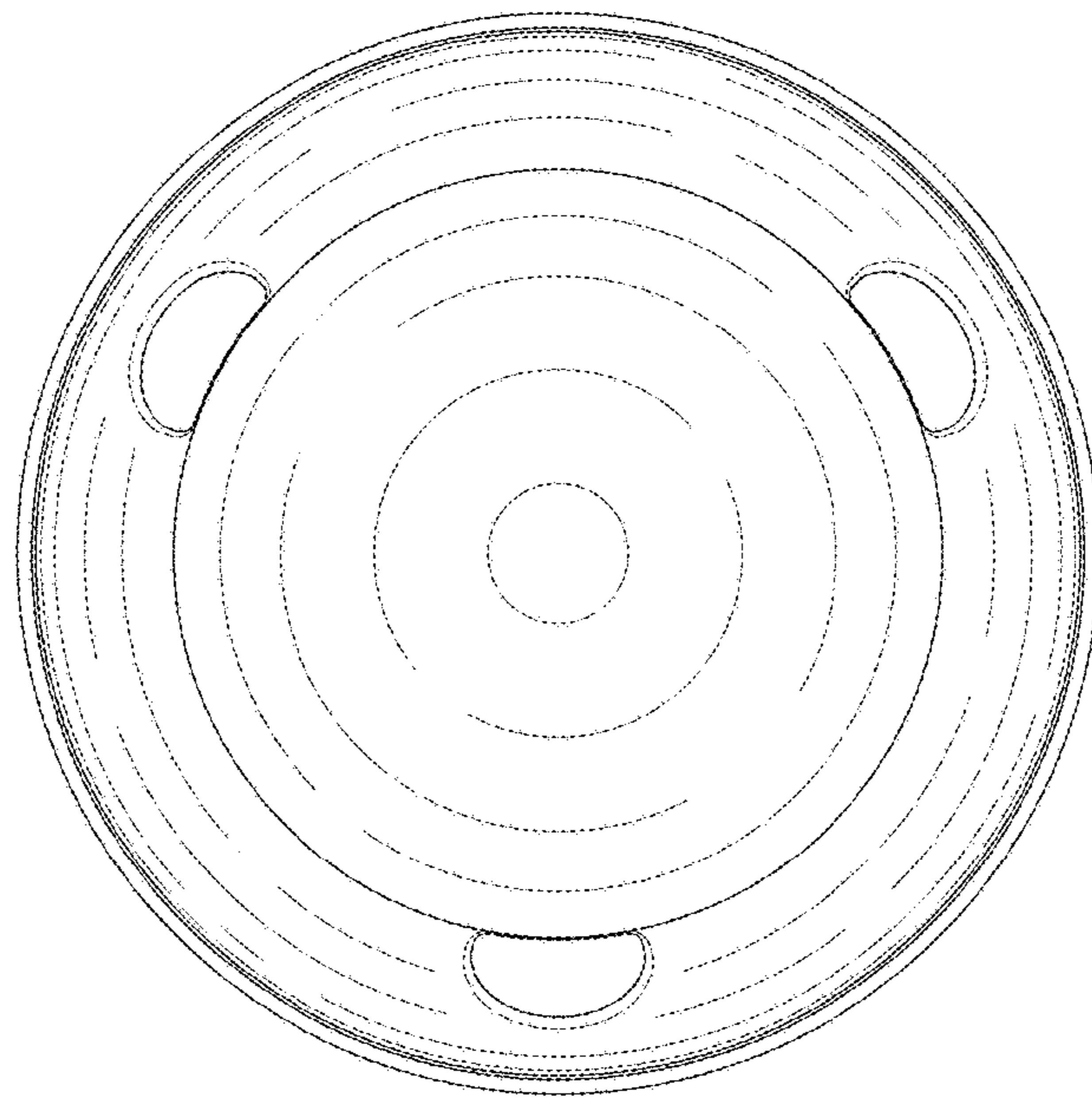


FIG. 7