



US00D853047S

(12) **United States Design Patent** (10) **Patent No.:** **US D853,047 S**
Berggren et al. (45) **Date of Patent:** **** Jul. 2, 2019**

(54) **DETACHABLE CHIN SHIELD**
(71) Applicant: **3M INNOVATIVE PROPERTIES COMPANY**, St. Paul, MN (US)
(72) Inventors: **Martin A. J. M. Berggren**, Tällberg (SE); **Erik Oskar Juhlin**, Gustavsberg (SE)
(73) Assignee: **3M INNOVATIVE PROPERTIES COMPANY**, St. Paul, MN (US)
(**) Term: **15 Years**
(21) Appl. No.: **29/641,314**
(22) Filed: **Mar. 21, 2018**
(51) **LOC (11) Cl.** **29-02**
(52) **U.S. Cl.**
USPC **D29/122**; D29/107; D29/110
(58) **Field of Classification Search**
USPC D29/100, 102, 104, 105, 106, 107, 108, D29/109, 110, 122; 2/6.1-6.3, 6.7, 172, 2/175.1, 175.6, 175.7, 209, 410, 422-425, 2/455, 909, 918, 920, 891; D24/191, D24/190; 128/864, 866, 867
CPC .. A42B 1/066; A42B 1/00; A42B 1/06; A42B 3/228; A42B 3/00; A42B 3/08; A42B 3/32; A42B 3/222; A42B 3/20; A42B 3/227; A42B 3/105; A42B 3/04; A42B 3/06; A42B 3/0406; A42B 3/18; A42B 3/166; A42B 3/16; A42B 3/22; A42B 3/0473; A42B 3/127; A63B 71/10; A63B 71/105; A41D 13/0512
See application file for complete search history.

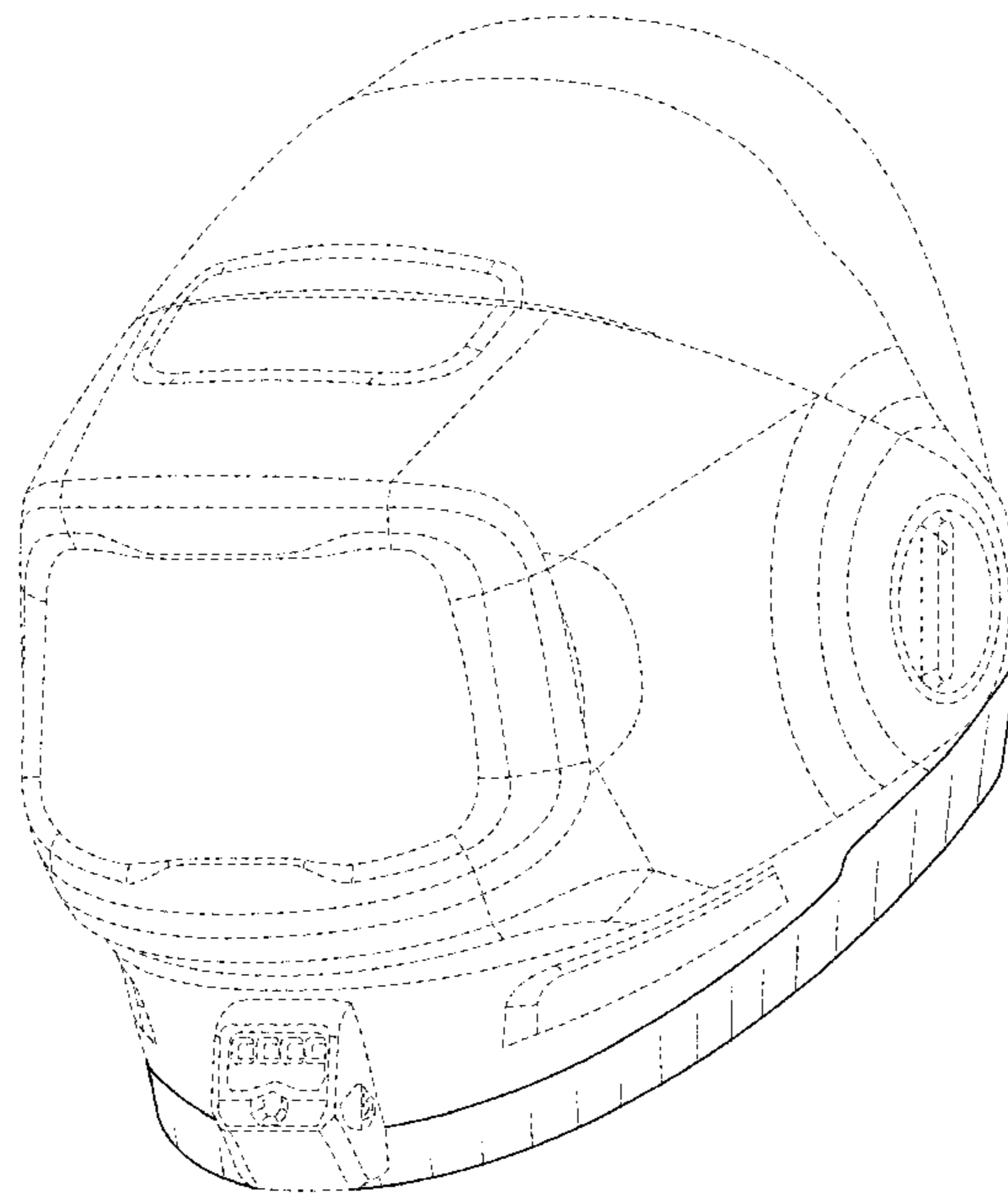
(56) **References Cited**
U.S. PATENT DOCUMENTS
D489,492 S * 5/2004 Wu D29/110
D517,745 S * 3/2006 Lee D29/122
7,908,678 B2 * 3/2011 Brine, III A42B 3/324
2/410
D751,767 S * 3/2016 Shida D29/107
9,596,902 B2 * 3/2017 Daniels A42B 3/16
2014/0298557 A1 10/2014 Townsend, Jr. et al.
FOREIGN PATENT DOCUMENTS
CN 106859847 6/2017
KR 10-1360936 B1 2/2014

* cited by examiner
Primary Examiner — Randall H Gholson
(74) *Attorney, Agent, or Firm* — Johannes P. M. Kusters

(57) **CLAIM**
The ornamental design for a detachable chin shield, as shown and described.

DESCRIPTION
FIG. 1 is a perspective view showing the new design for a detachable chin shield for a welding helmet;
FIG. 2 is a front view thereof;
FIG. 3 is a back view thereof;
FIG. 4 is a right side view thereof;
FIG. 5 is a left side view thereof;
FIG. 6 is a top view thereof; and,
FIG. 7 is a bottom view thereof.
The broken lines shown in the drawings show unclaimed subject matter only and form no part of the claimed design.

1 Claim, 7 Drawing Sheets



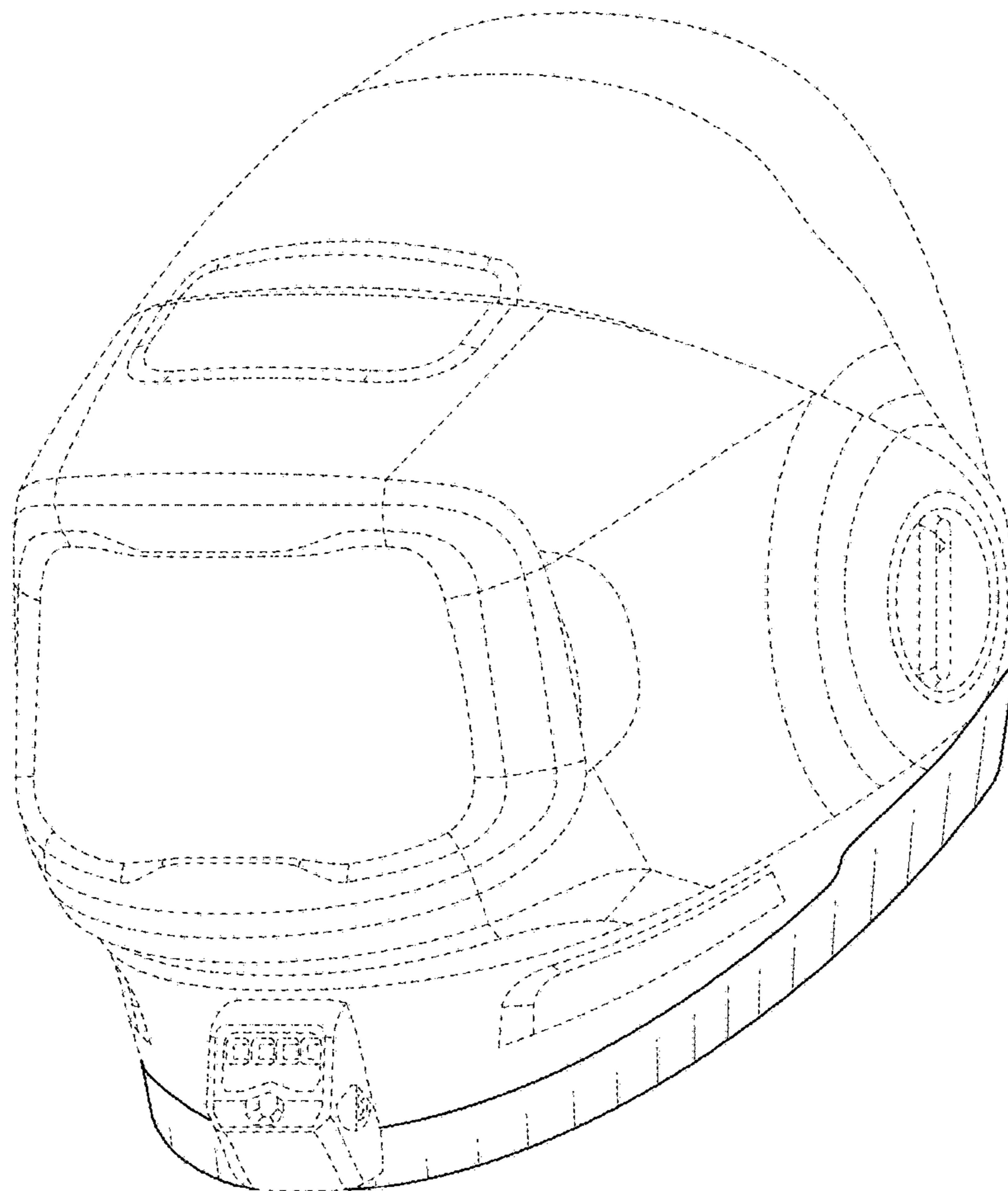


FIG. 1

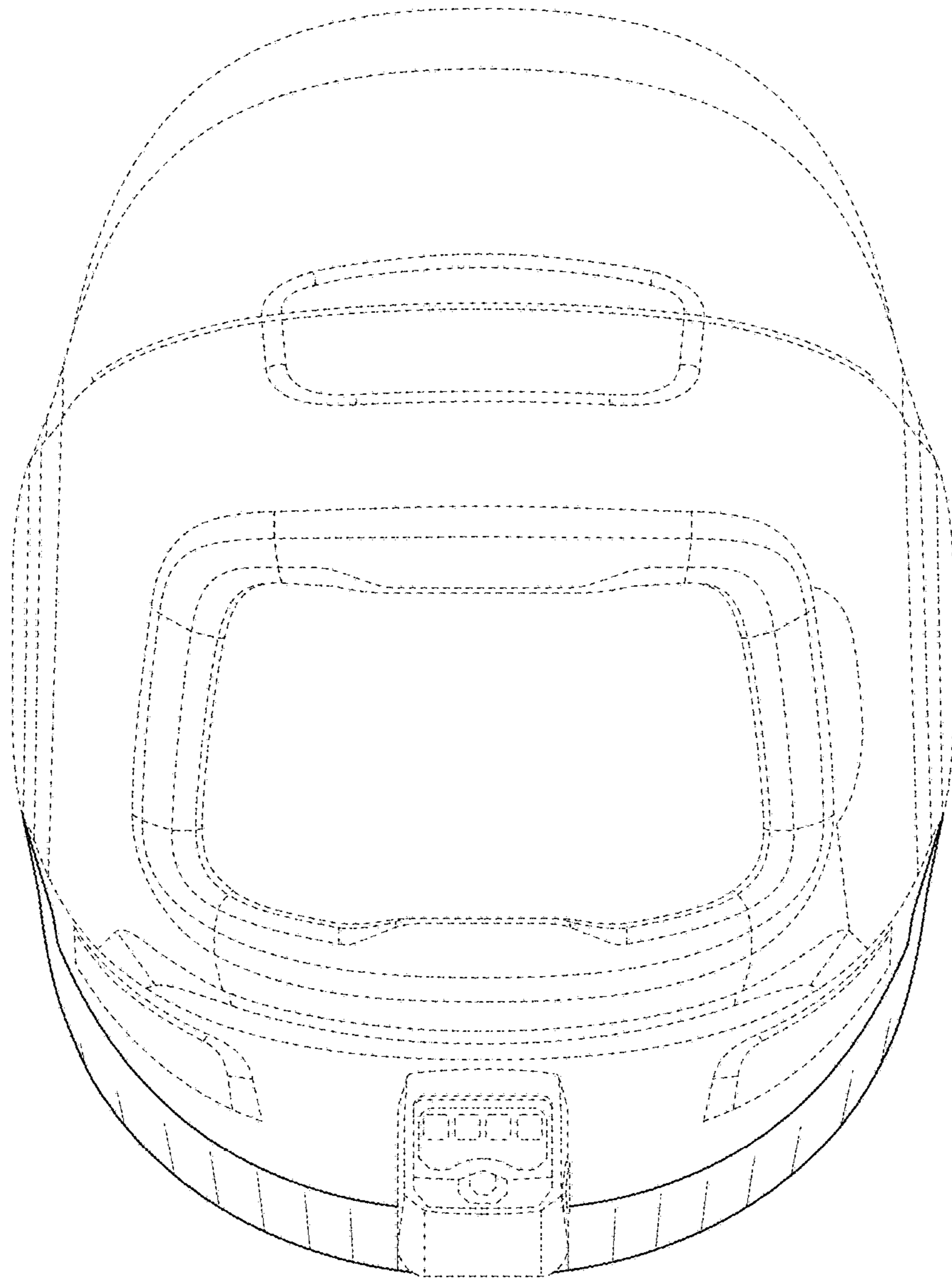


FIG. 2

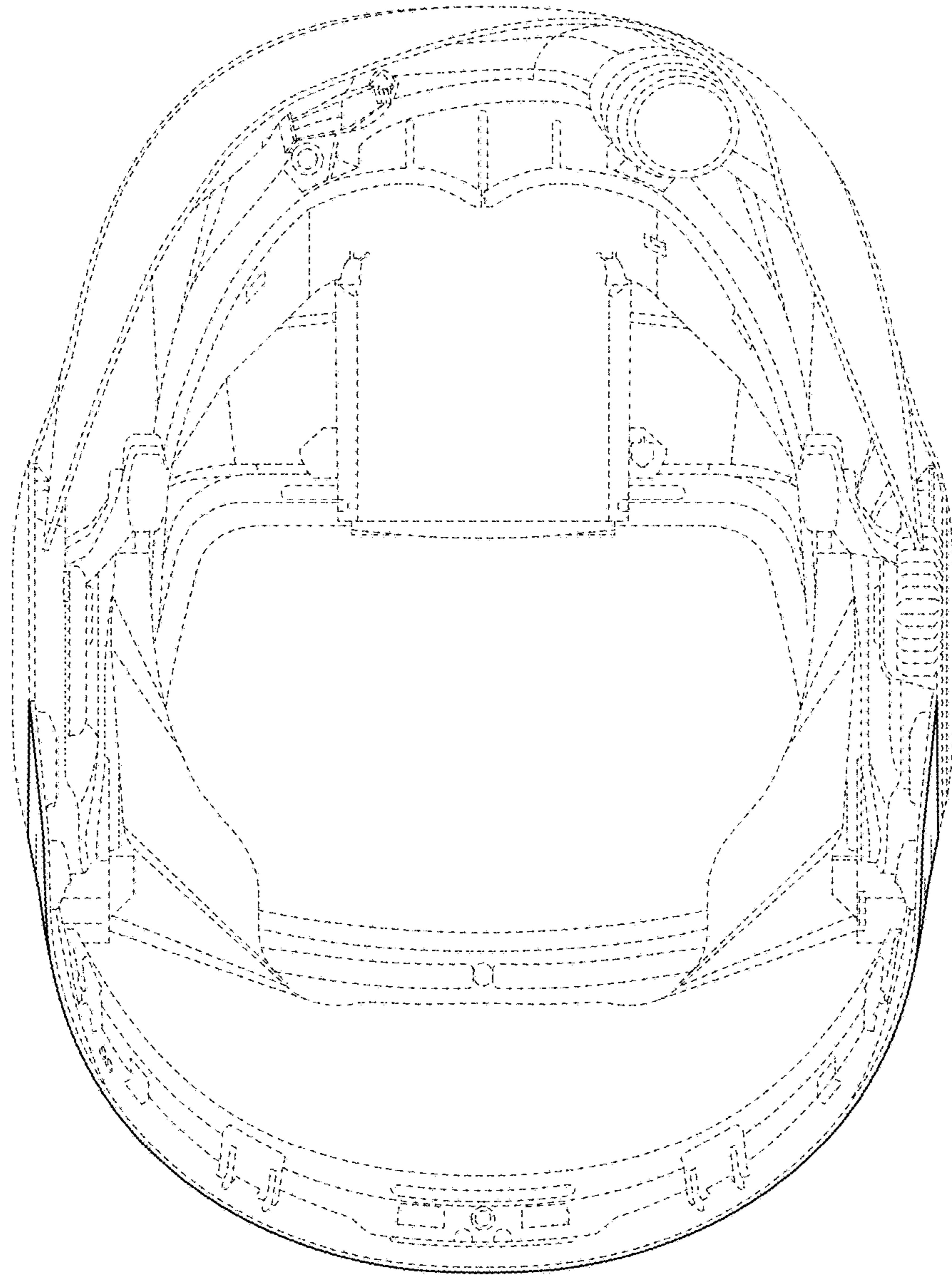


FIG. 3

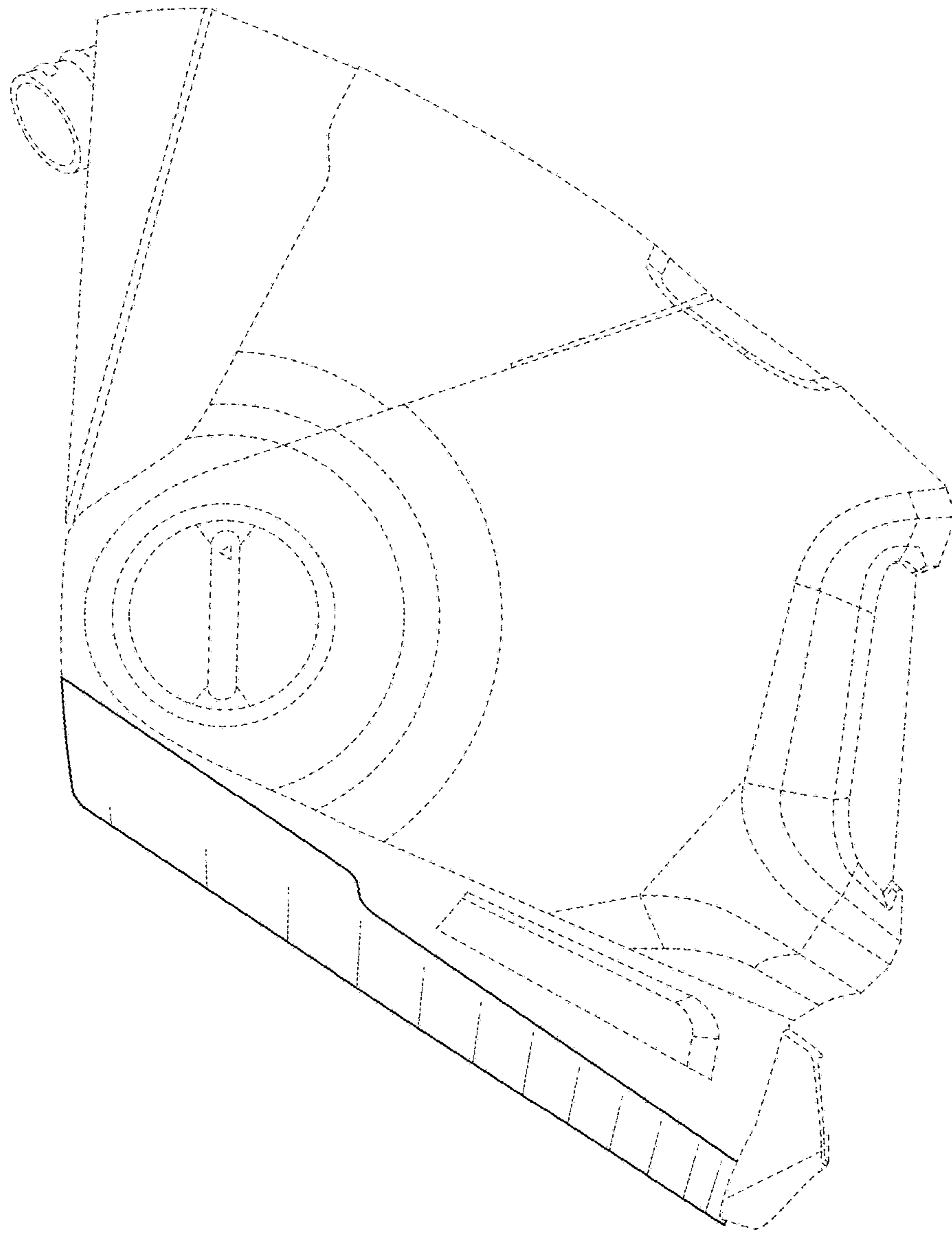


FIG. 4

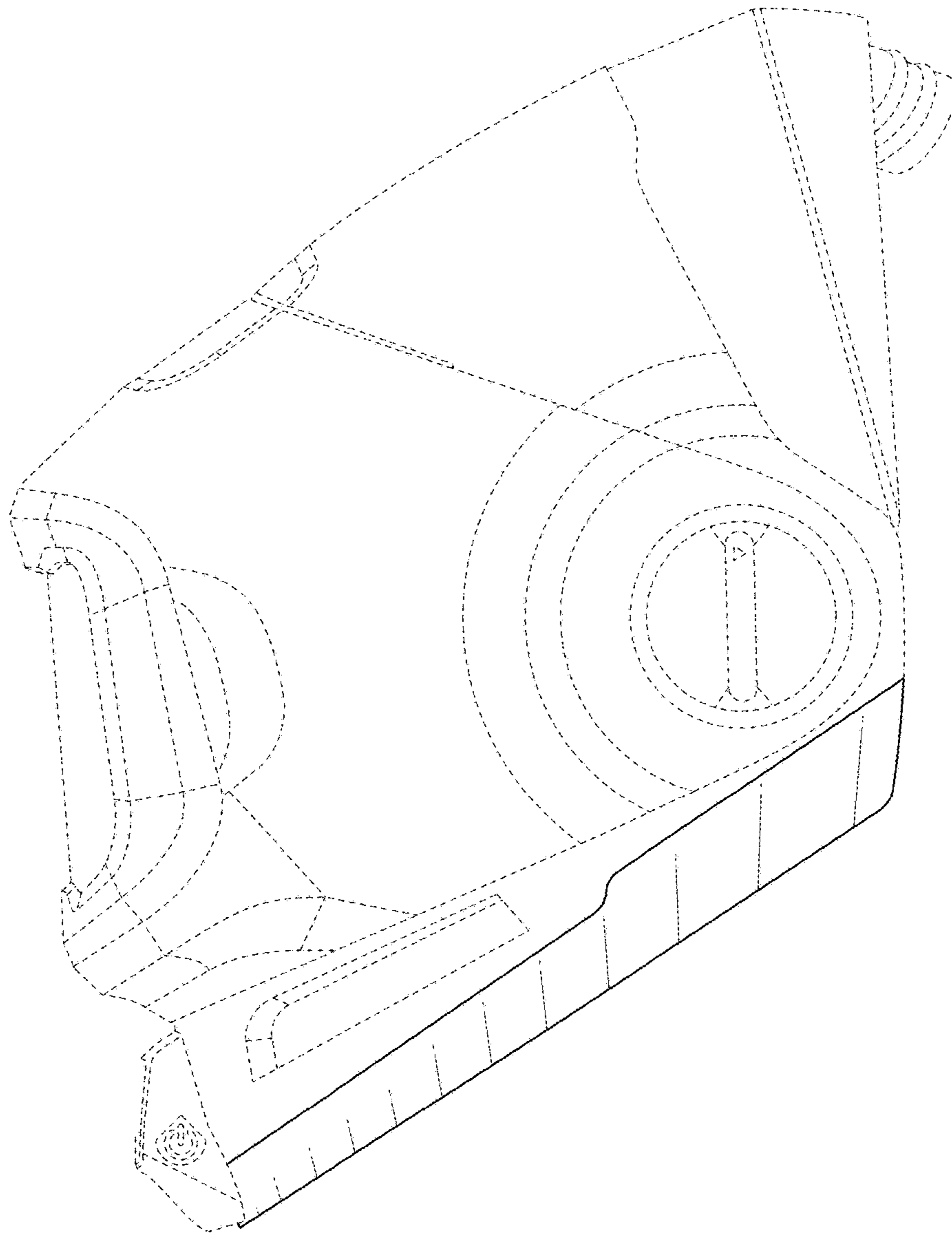


FIG. 5

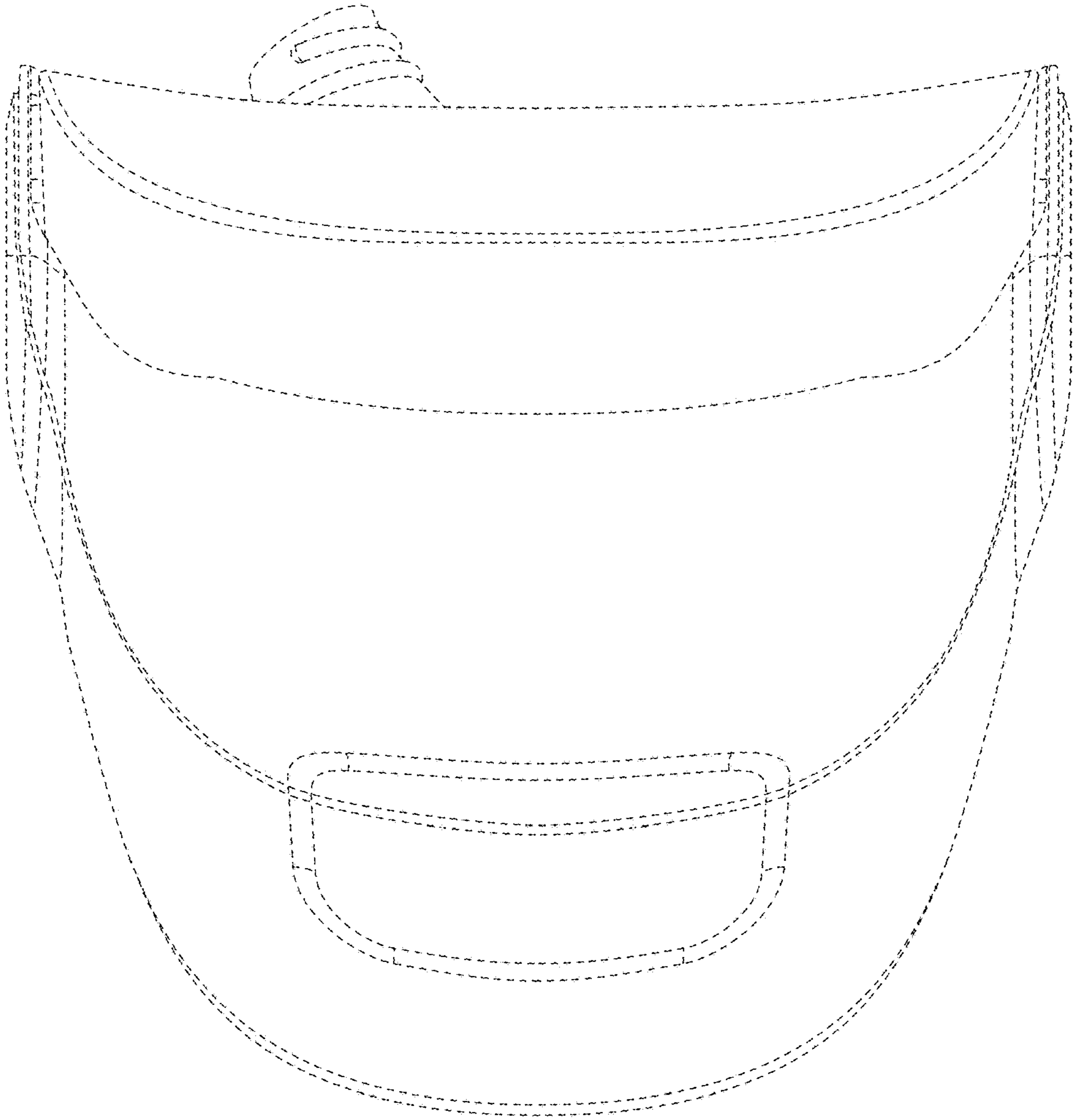


FIG. 6

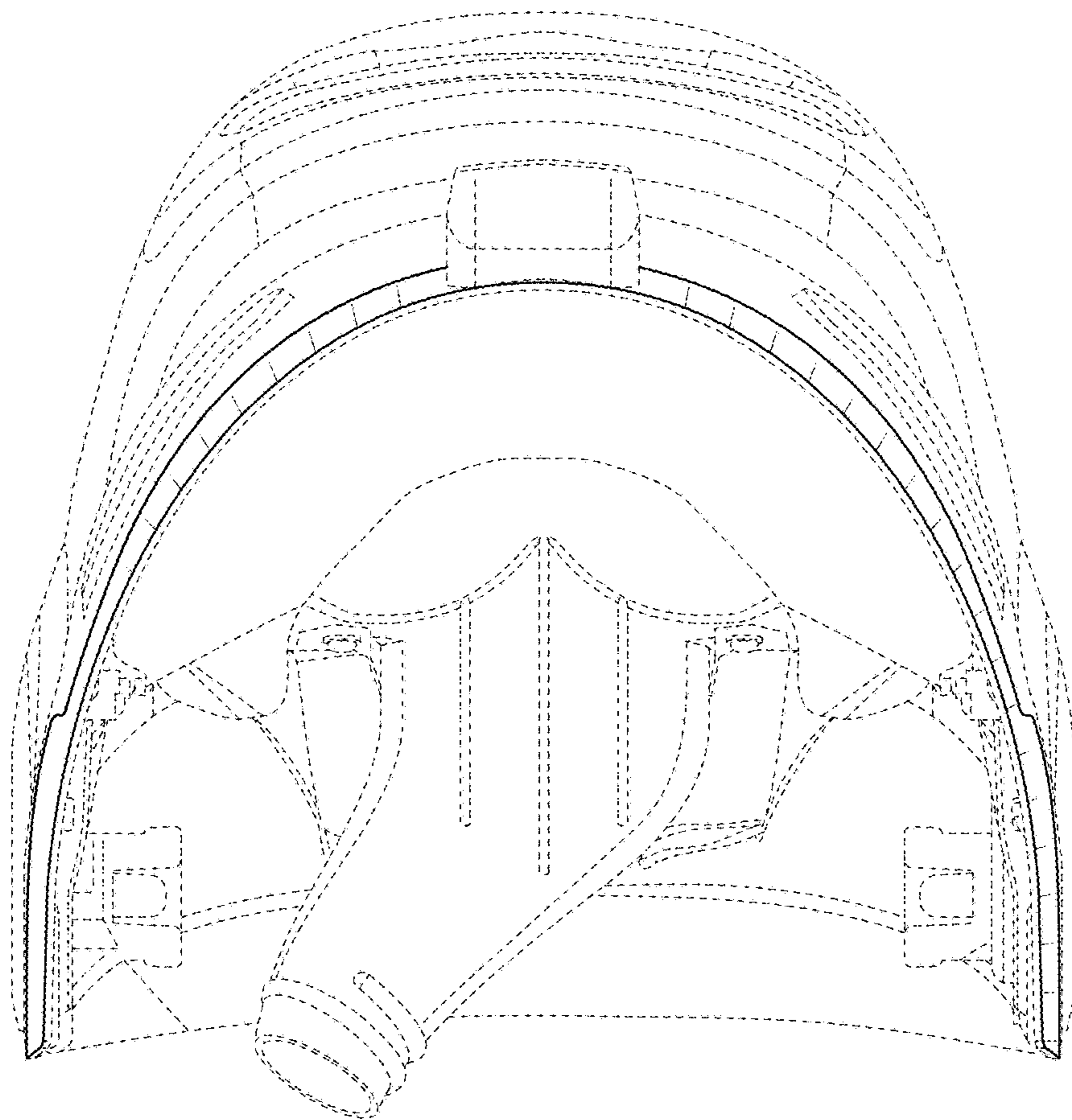


FIG. 7