



US00D853037S

(12) **United States Design Patent**  
**Kim et al.**

(10) **Patent No.:** **US D853,037 S**  
(45) **Date of Patent:** **\*\* Jul. 2, 2019**

(54) **CONTAINER FOR COSMETICS**  
(71) Applicant: **Kolmar Korea Co., Ltd.**, Sejong-si (KR)  
(72) Inventors: **Hyung Sang Kim**, Sejong-si (KR); **Sung Bong Kye**, Sejong-si (KR); **Koo Sup Ahn**, Sejong-si (KR)  
(73) Assignee: **Kolmar Korea Co., Ltd.**, Sejong-si (KR)

5,813,420 A \* 9/1998 Sussman ..... A45D 33/006  
132/294  
D407,856 S \* 4/1999 Orsomando ..... D28/83  
D439,376 S \* 3/2001 Lerolle ..... D28/82  
D473,345 S \* 4/2003 Thorpe ..... D28/82  
6,712,076 B2 \* 3/2004 Alexander ..... A45D 33/006  
132/300  
D523,177 S \* 6/2006 Ashiwa ..... D28/82  
(Continued)

(\*\*) Term: **15 Years**

(21) Appl. No.: **29/621,242**

(22) Filed: **Oct. 5, 2017**

(30) **Foreign Application Priority Data**

Apr. 6, 2017 (KR) ..... 30-2017-0016079

(51) **LOC (11) Cl.** ..... **28-03**

(52) **U.S. Cl.**  
USPC ..... **D28/84**

(58) **Field of Classification Search**  
USPC ..... D28/76-84; D9/420, 425, 428  
CPC ..... A45D 33/00; A45D 33/003; A45D 33/006-33/008; A45D 33/16; A45D 33/24; A45D 33/20; A45D 2200/051-2200/053; A45D 40/22; A45D 40/24; A45D 2040/223-2040/228  
See application file for complete search history.

(56) **References Cited**

**U.S. PATENT DOCUMENTS**

963,212 A \* 7/1910 Davis ..... A45D 33/006  
132/294  
D67,545 S \* 6/1925 Powell ..... D28/82  
4,589,430 A \* 5/1986 Sussman ..... A45D 40/22  
132/218  
5,437,294 A \* 8/1995 Ebbets, III ..... A45D 40/22  
132/296

**OTHER PUBLICATIONS**

www.beautifulwithbrains.com, 6 cushion foundation to try in 2015, downloaded Aug. 9, 2018, 1 page.\*

(Continued)

*Primary Examiner* — Jennifer Rivard  
(74) *Attorney, Agent, or Firm* — Novick, Kim & Lee, PLLC; Sang Ho Lee

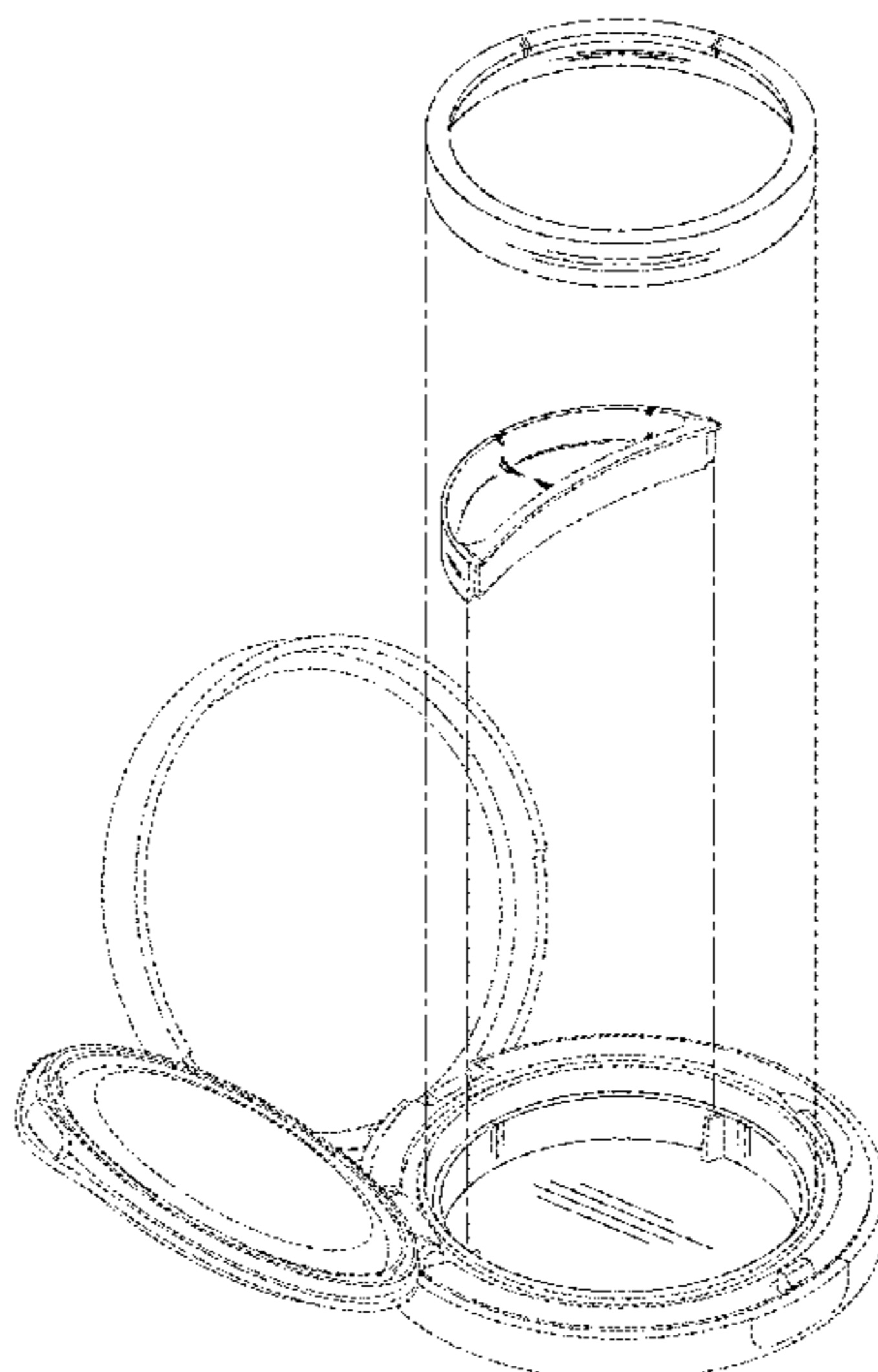
(57) **CLAIM**

We claim the ornamental design for a container for cosmetics, as shown and described.

**DESCRIPTION**

FIG. 1 is a front perspective view of a container for cosmetics, showing our new design; FIG. 2 is a front elevational view thereof; FIG. 3 is a rear elevational view thereof; FIG. 4 is a left side elevational view thereof; FIG. 5 is a right side elevational view thereof; FIG. 6 is a top plan view thereof; FIG. 7 is a bottom plan view thereof; FIG. 8 is an exploded top perspective view thereof; and, FIG. 9 is an exploded bottom perspective view thereof. The dash-dash broken lines shown in the drawings show portions of the container for cosmetics which form no part of the claimed design. The dot-dash broken lines define the bounds of the claimed design and form no part thereof.

**1 Claim, 9 Drawing Sheets**



(56)

References Cited

U.S. PATENT DOCUMENTS

D553,797 S \* 10/2007 Gunter ..... D28/82  
 D581,597 S \* 11/2008 Martinez ..... D28/82  
 D626,289 S \* 10/2010 Lee ..... D28/82  
 7,806,284 B2 \* 10/2010 Mangano ..... A45C 11/16  
 206/504  
 7,832,564 B2 \* 11/2010 Kim ..... A45D 33/008  
 132/293  
 D631,610 S \* 1/2011 Barresi ..... D28/83  
 D642,743 S \* 8/2011 Shteyssel ..... D28/83  
 D655,865 S \* 3/2012 Villarreal ..... D28/83  
 D687,186 S \* 7/2013 Lai ..... D28/83  
 D687,187 S \* 7/2013 Lai ..... D28/83  
 D687,188 S \* 7/2013 Lai ..... D28/83  
 D723,742 S \* 3/2015 Shteyssel ..... D28/83  
 D756,567 S \* 5/2016 Pires ..... D28/84  
 9,345,306 B2 \* 5/2016 Thorpe ..... A45C 13/008  
 D790,134 S \* 6/2017 Shteyssel ..... D28/64.3  
 D806,532 S \* 1/2018 Richmond ..... D9/420  
 9,867,447 B1 \* 1/2018 Kim ..... A45D 40/24  
 D814,705 S \* 4/2018 Norris ..... D28/82  
 D817,755 S \* 5/2018 Kim ..... D9/420  
 2003/0167599 A1 \* 9/2003 Seidler ..... A45D 33/20  
 16/320  
 2006/0008485 A1 \* 1/2006 Ferone ..... A45D 33/02  
 424/401  
 2008/0245383 A1 \* 10/2008 Tomandl ..... A45D 33/008  
 132/200  
 2010/0031971 A1 \* 2/2010 Ha ..... A45D 33/006  
 132/293  
 2011/0266297 A1 \* 11/2011 Thorpe ..... A45C 13/008  
 220/831

2013/0133686 A1 \* 5/2013 Shteyssel ..... A45D 40/24  
 132/314  
 2014/0023689 A1 \* 1/2014 Kim ..... A61K 8/87  
 424/401  
 2014/0026921 A1 \* 1/2014 Zhang ..... A45D 33/008  
 132/315  
 2014/0261530 A1 \* 9/2014 McNamara ..... A45D 33/008  
 132/301  
 2017/0020263 A1 \* 1/2017 Chang ..... A45D 33/003  
 2017/0086560 A1 \* 3/2017 Pires ..... A45D 33/32  
 2017/0099930 A1 \* 4/2017 Kim ..... A45D 33/008  
 2017/0127799 A1 \* 5/2017 Chung ..... A45D 33/008  
 2017/0245622 A1 \* 8/2017 Cicchetti ..... A45D 40/222  
 2017/0303662 A1 \* 10/2017 Jeong ..... A45D 33/008  
 2018/0020810 A1 \* 1/2018 Eberlein ..... A45D 40/221  
 2018/0110316 A1 \* 4/2018 Kim ..... A45D 40/22  
 2018/0192760 A1 \* 7/2018 Lee ..... A45D 33/00  
 2018/0199693 A1 \* 7/2018 Chung ..... A45D 33/006

OTHER PUBLICATIONS

www.beautypedia, Revlon Colorstay 2-in-1 Compact, downloaded Aug. 9, 2018, 1 page.\*  
 Google search for “half round cosmetic compact pans,” downloaded Aug. 9, 2018, 1 page.\*  
 So lonely in Gorgeous, Bobbi Brown Face and Body Duo, Sep. 20, 2013, downloaded Aug. 9, 2018, 1 page.\*  
 www.aliexpress.com, 100pcs DIY Makeup Tools Empty Eyeshadow Case, downloaded Aug. 9, 2018, 1 page.\*  
 www.teenvogue.com, This Genius Korean Product . . . Foundation by Phillip Picardi, Jul. 2014, downloaded Aug. 9, 2018, 1 page.\*

\* cited by examiner

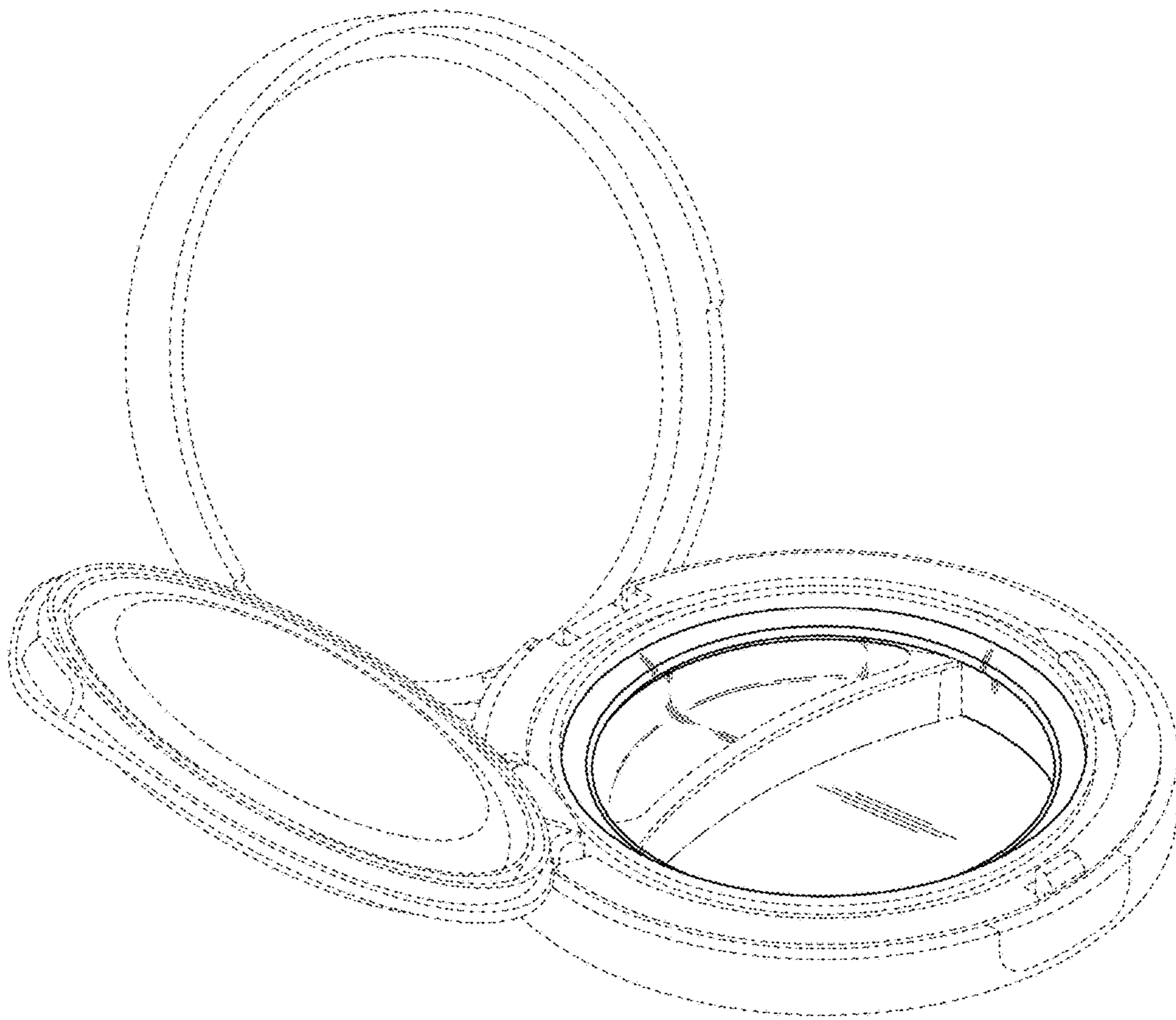


FIG. 1

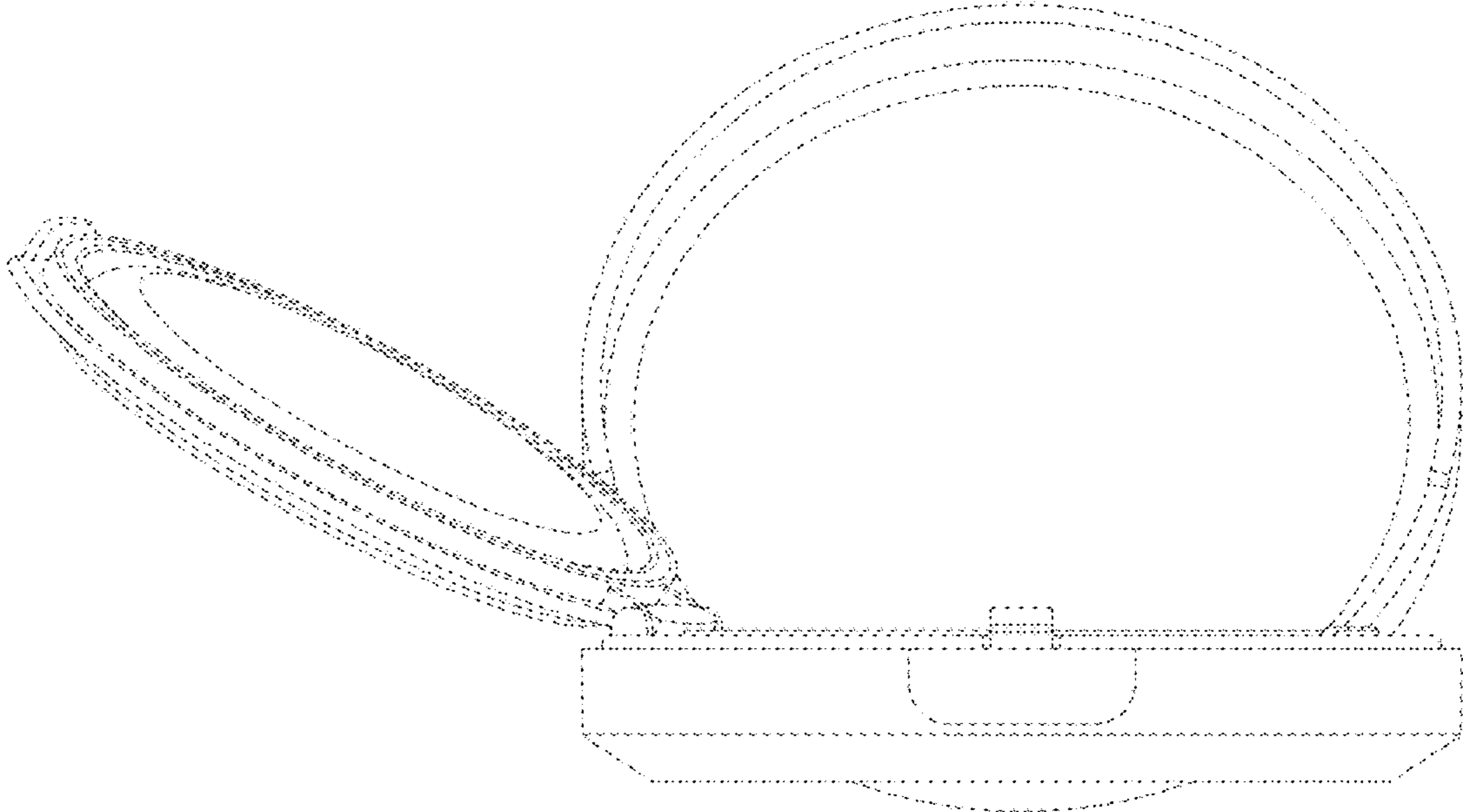
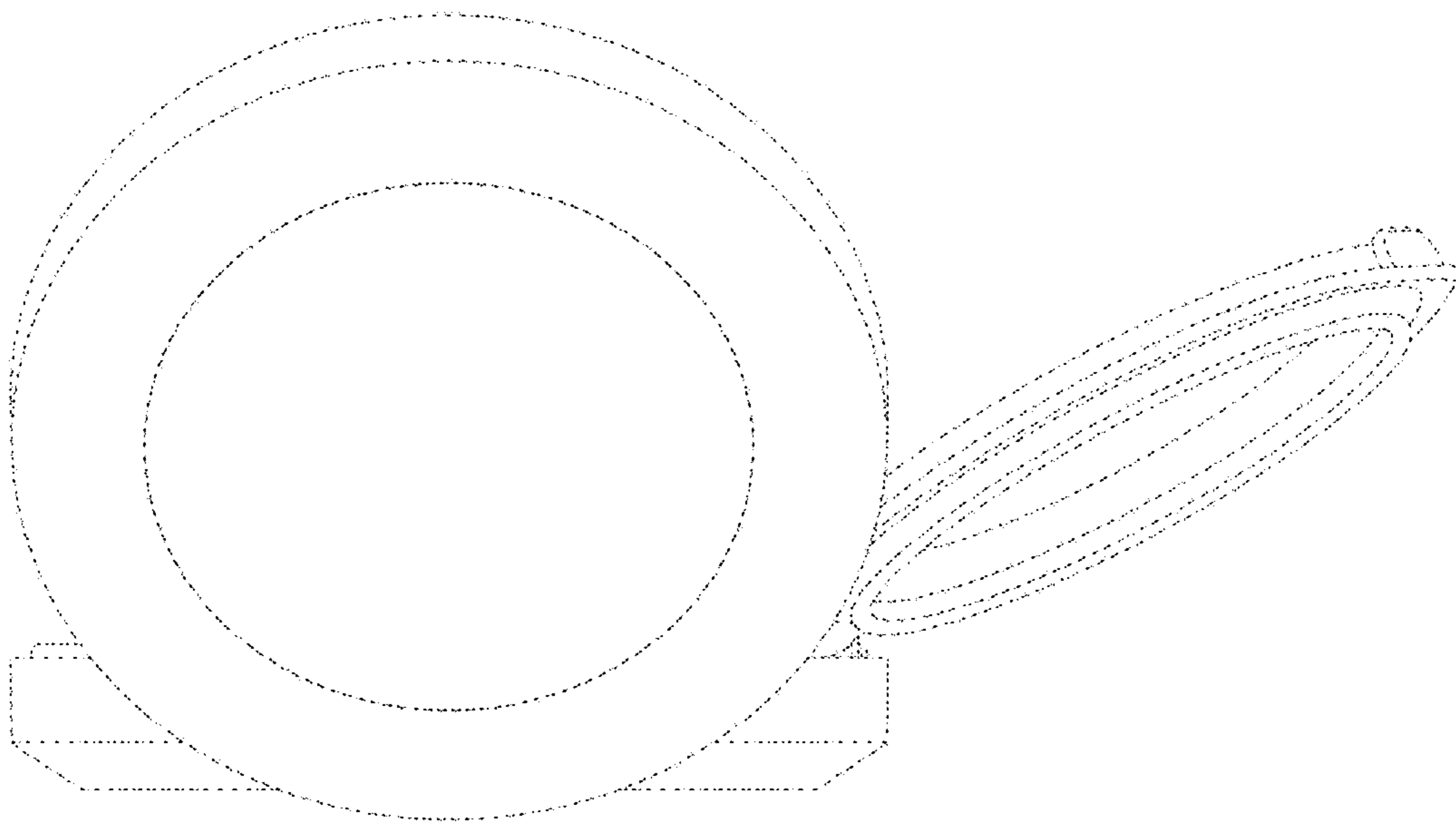
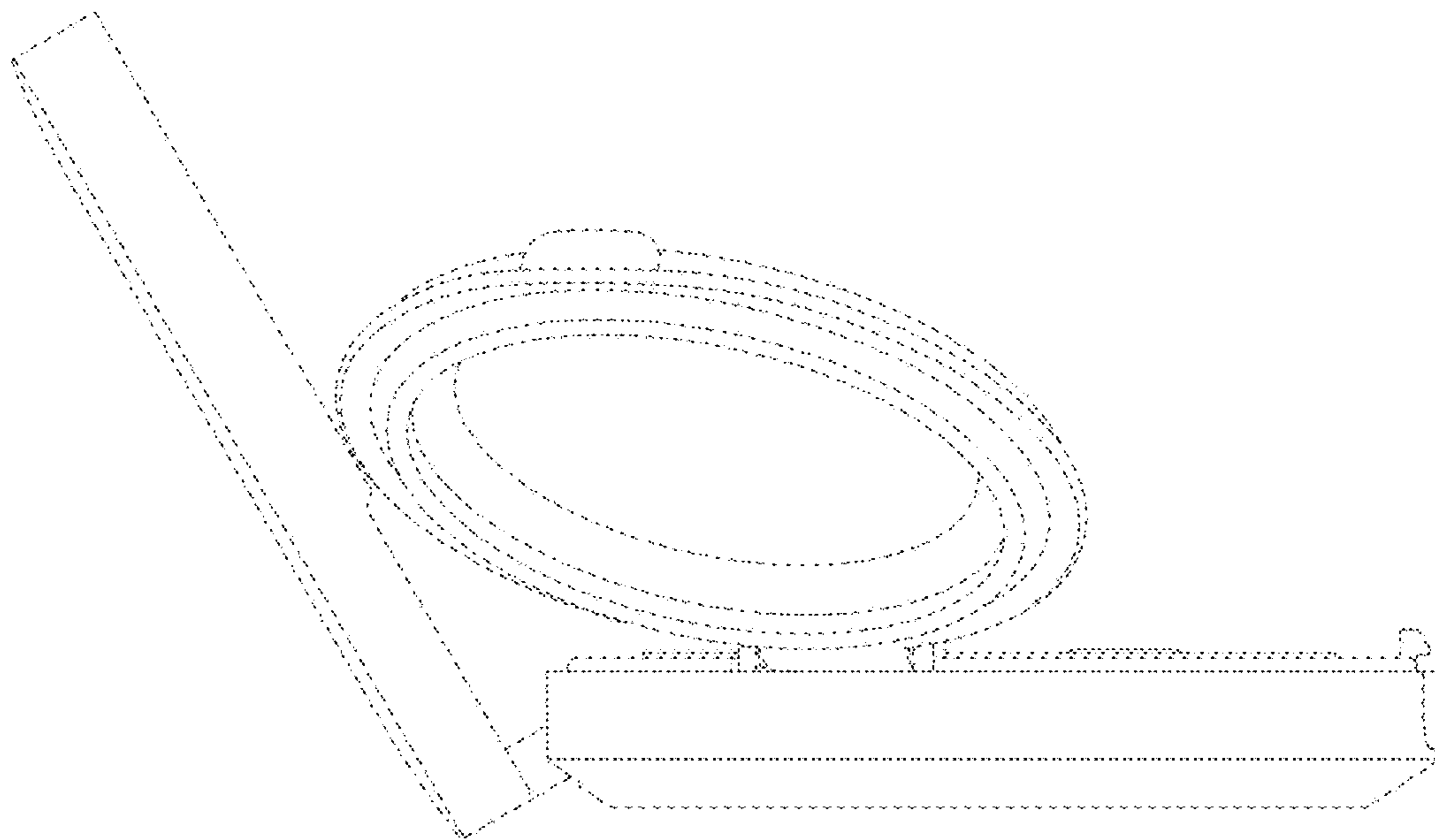


FIG. 2



**FIG. 3**



**FIG. 4**

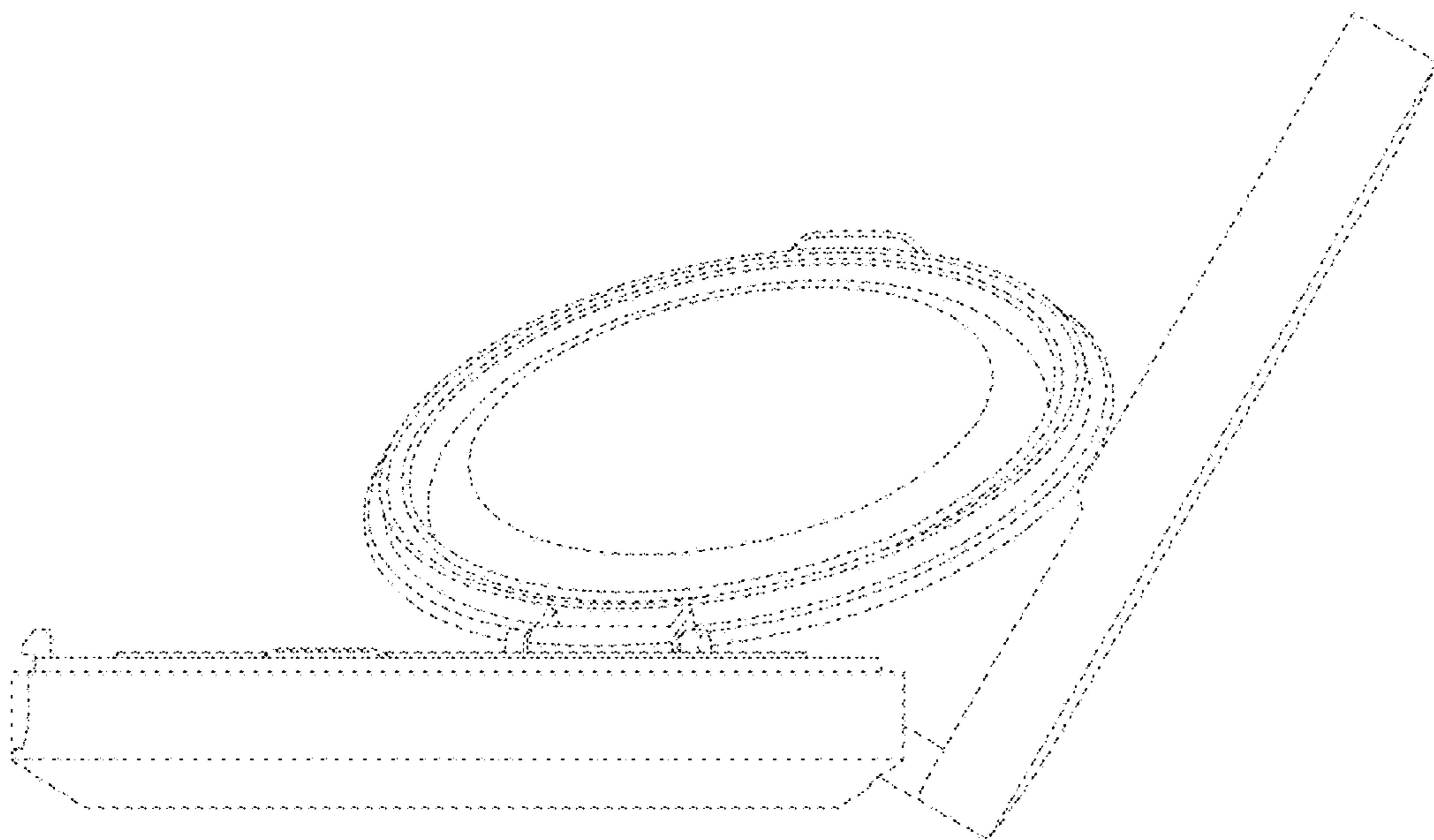


FIG. 5

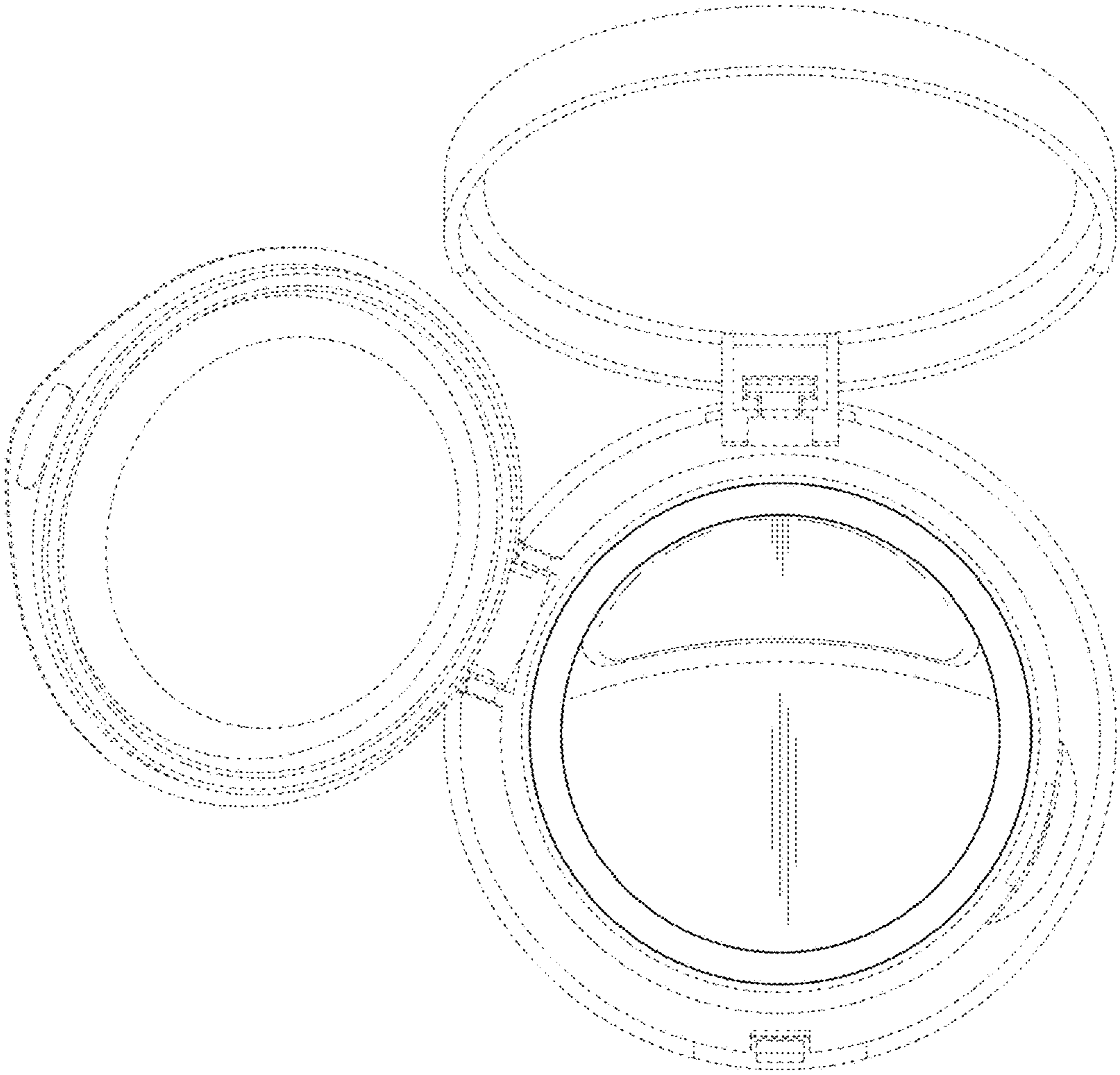
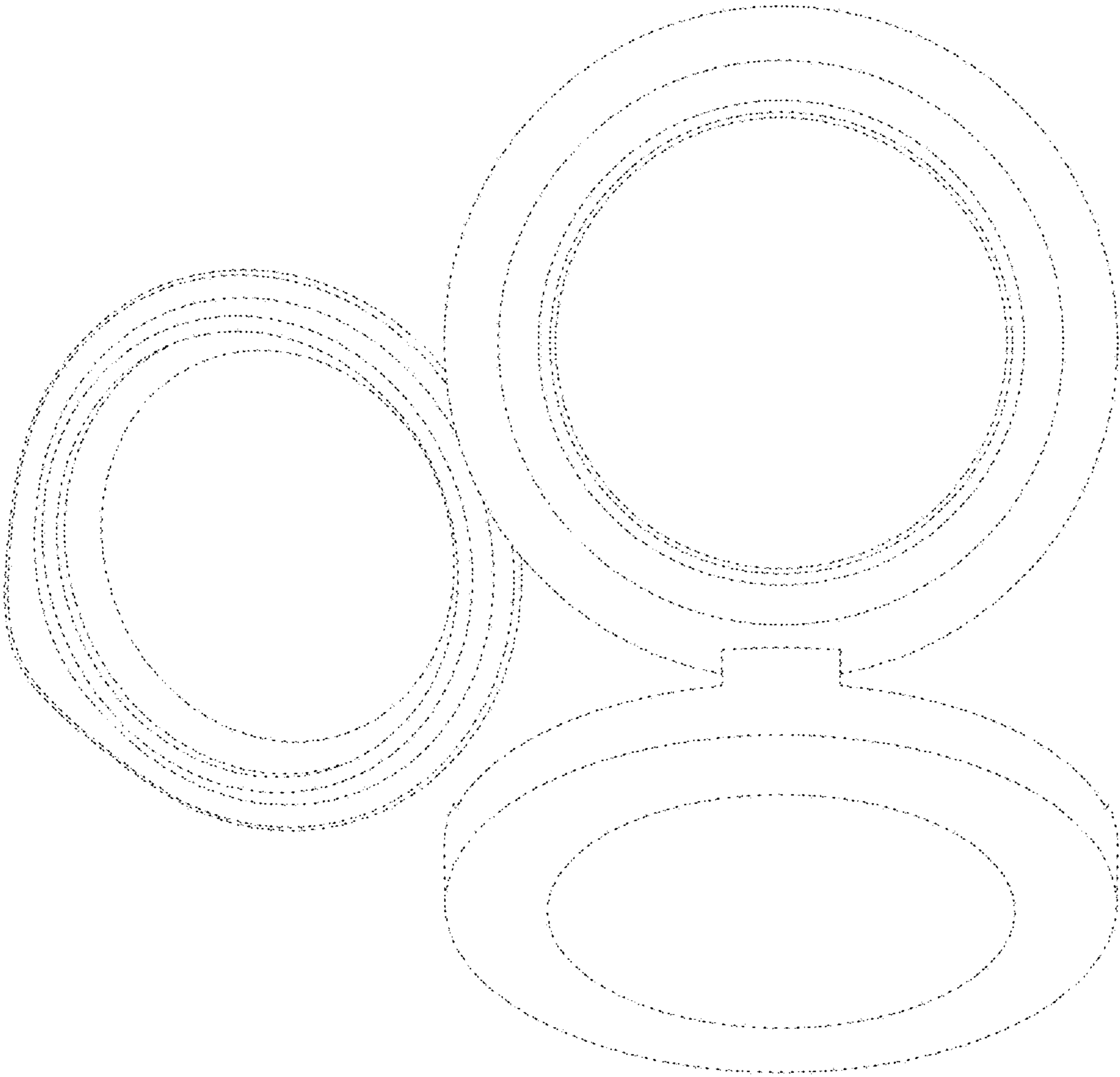


FIG. 6





**FIG. 7**

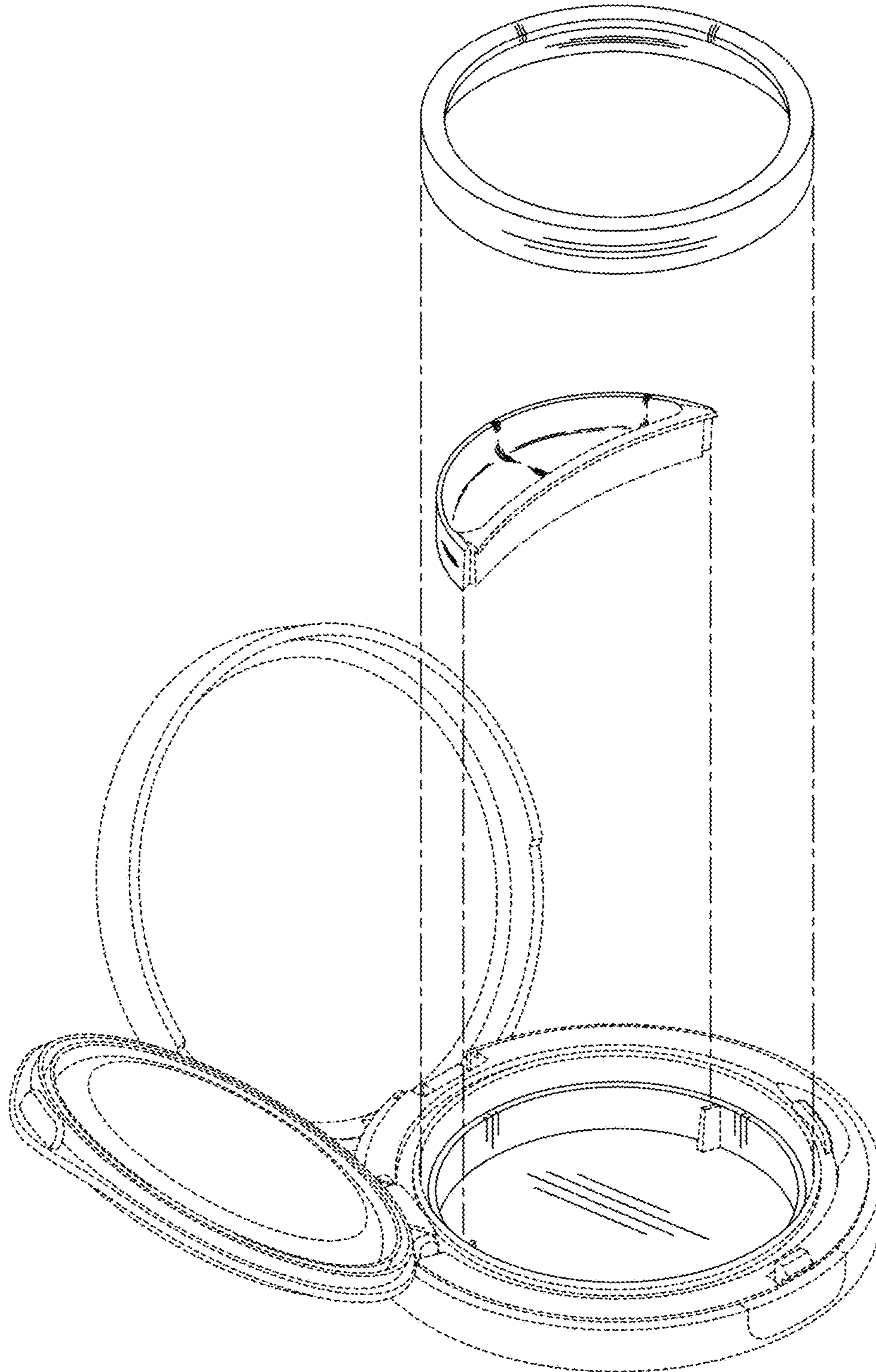


FIG. 8

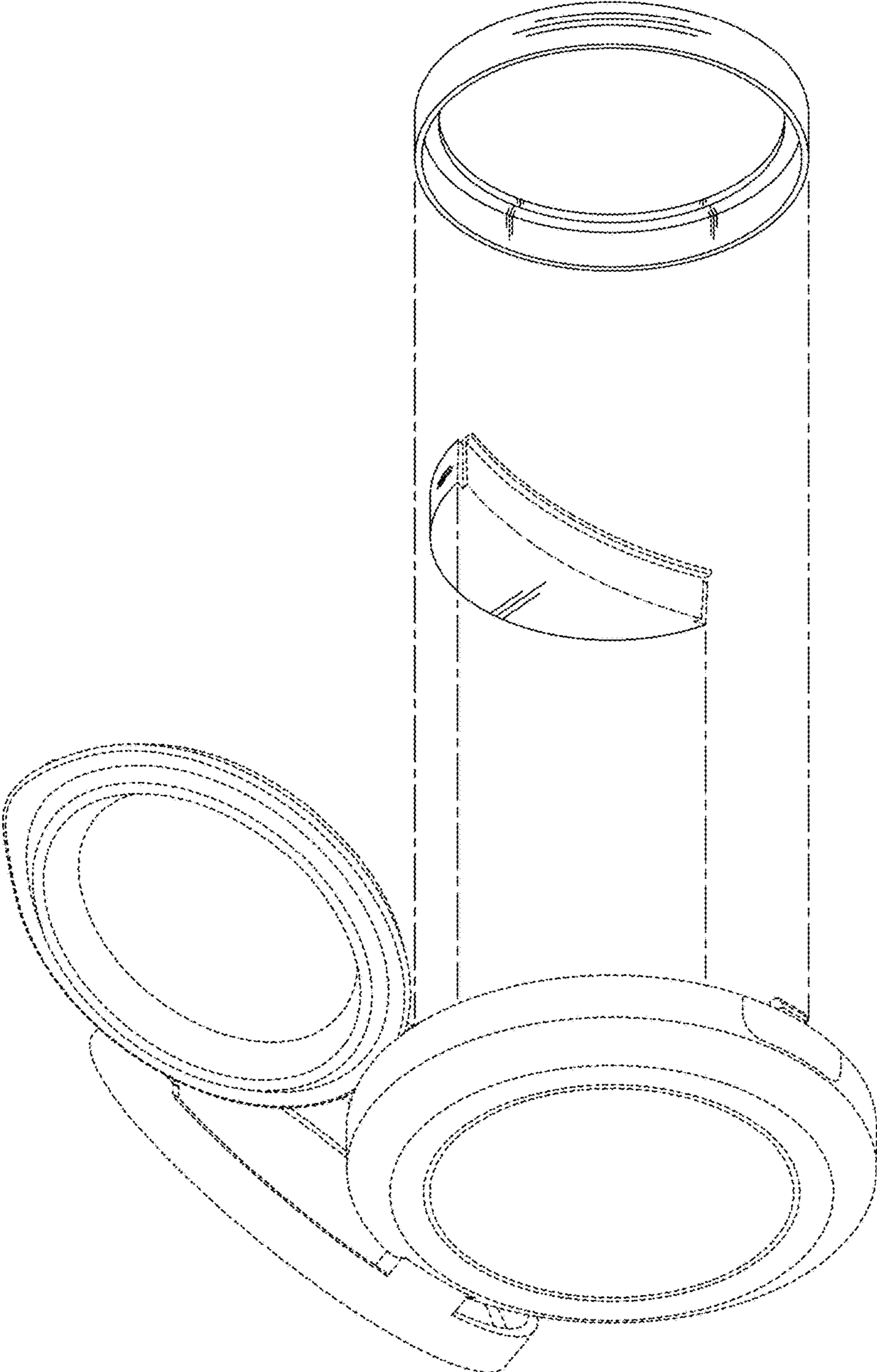


FIG. 9